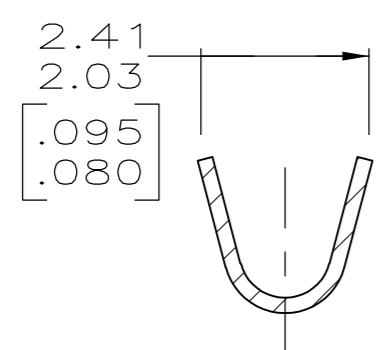
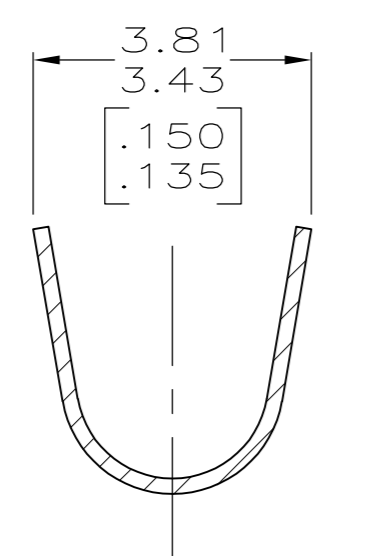
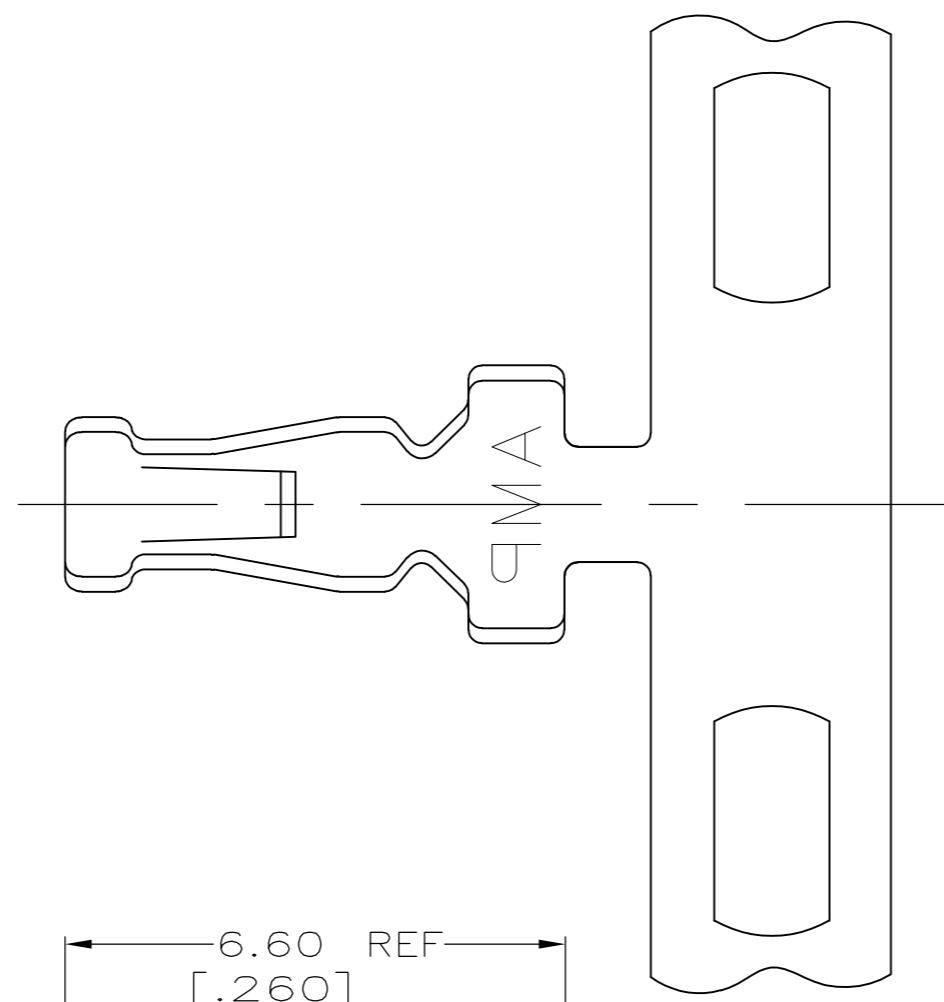
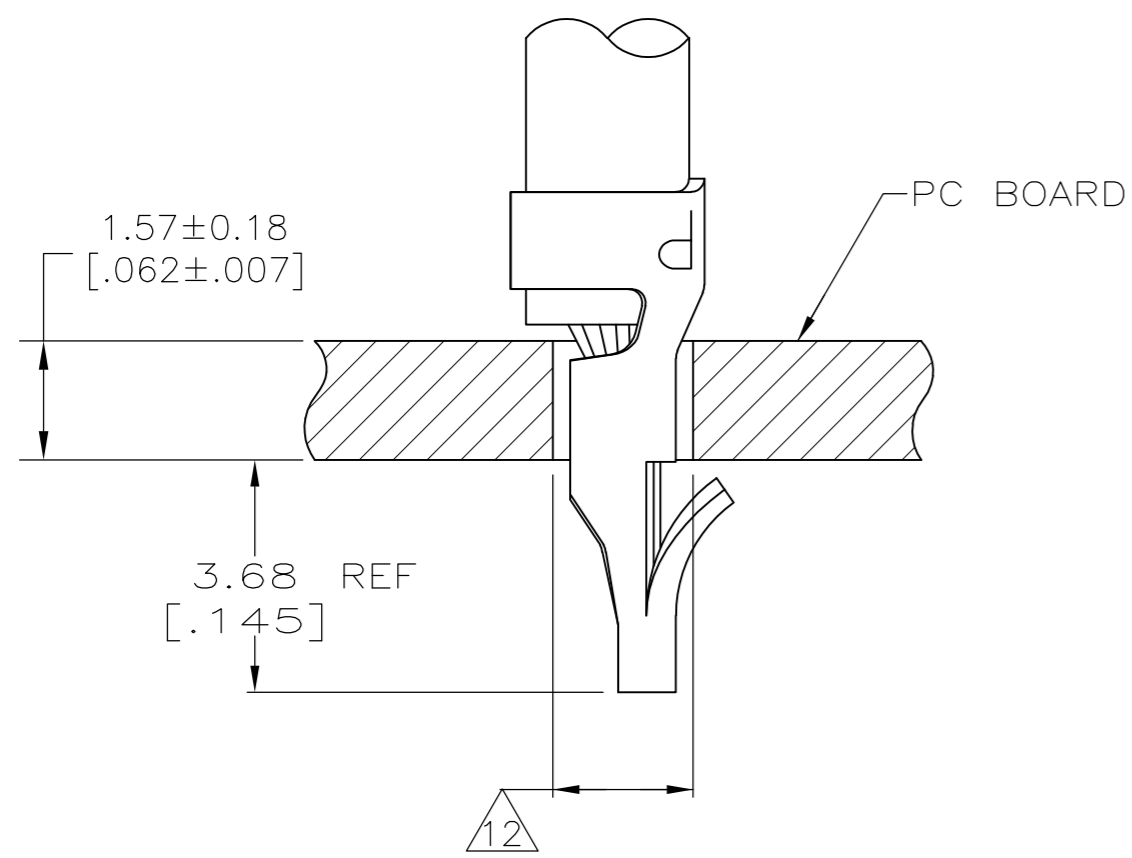


THIS DRAWING IS UNPUBLISHED. RELEASED FOR PUBLICATION
 © COPYRIGHT - By - ALL RIGHTS RESERVED.

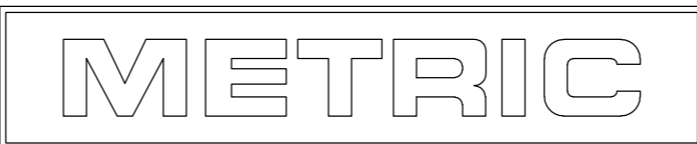
LOC	DIST	REVISIONS					
CM	00	P	LTR	DESCRIPTION	DATE	DWN	APVD
		R6		REVISED PER ECO-12-014997	22AUG12	KH	SM



- 1 PARTS COMPLY WITH AMP SOLDERABILITY SPEC 109-11-3.
- 2 0.00508 [.000200] MIN BRIGHT TIN-LEAD.
- 3 PARTS COMPLY WITH AMP SOLDERABILITY SPEC 109-11-1.
- 4 0.00305 [.000120] MIN BRIGHT TIN-LEAD OVER 0.00102 [.000040] MIN NICKEL.
- 5 FOR FOREIGN PRODUCTION ONLY.
- 6 CARRIER STRIP TO HAVE 1.52 [.060] DIA PILOT HOLE
- 7 0.00305 [.000120] MIN TIN OVER 0.00102 [.000040] MIN NICKEL.
- 8 WIRE RANGE: 0.3 - 0.9 mm² (22 - 18 AWG).
- 9 INSULATION RANGE: 1.52 - 2.79 [.060 - .110] DIA.
- 10 DIMENSIONS IN BRACKETS ARE IN INCHES.
- 11 0.00508 [.000200] MIN BRIGHT TIN.
- 12 HOLE DIAMETER TO BE 1.83±0.08 FOR WIRE 0.3-0.6mm² (20-22 AWG) OR 1.96±0.08 FOR WIRE 0.8-0.9mm² (18 AWG).

NOTES	FINISH	MATERIAL	PART NO.
1	11	0.20[.008] PH BRZ	3-640311-1
3 5 6	7	0.20[.008] BRASS	640311-5
3 5	4	0.20[.008] BRASS	640311-3
1	2	0.20[.008] PH BRZ	640311-1

THIS DRAWING IS A CONTROLLED DOCUMENT.		DWN S. CARPENTER 21AUG2003	TE Connectivity	
DIMENSIONS: INCHES		CHK J. ELLIS 21AUG2003	NAME MINI AMP-IN™	
TOLERANCES UNLESS OTHERWISE SPECIFIED:		APVD J. ELLIS 21AUG2003	CAGE CODE A2 00779	
0 PLC ±		PRODUCT SPEC	DRAWING NO C-640311	
1 PLC ±		APPLICATION SPEC	RESTRICTED TO	
2 PLC ± 0.13 [.005]		114-1016	-	
3 PLC ±		WEIGHT	SCALE 1:1 SHEET 1 of 1 REV R6	
4 PLC ±		CUSTOMER DRAWING		
ANGLES ±				
FINISH				
SEE TABLE				



X-ON Electronics

Largest Supplier of Electrical and Electronic Components

Click to view similar products for [Terminals](#) category:

Click to view products by [TE Connectivity](#) manufacturer:

Other Similar products are found below :

[HT-13-10](#) [71M-250-32-NB](#) [01-2065-1-0216](#) [00581P0075](#) [M10-10RX](#) [M10BCK](#) [60205-1](#) [604200-1](#) [60598-1-CUT-TAPE](#) [60617-1-C](#) [60873-1](#) [M14-516R/SK](#) [M14-6RSX](#) [M18-8FBX](#) [M18-8R/LX](#) [M18BCK](#) [61314-6-C](#) [61-S](#) [61-SN-A](#) [62-NBM-A](#) [63-S](#) [640179-1](#) [640917-2-CUT-TAPE](#) [6501550002](#) [66107-2-C](#) [696683-1](#) [696834-1](#) [696861-1](#) [696931-1](#) [696999-1](#) [M8-516RK](#) [M86700006](#) [MA250DMFMX-A](#) [701-2007](#) [701-2307](#) [701-7761-03](#) [70F-110-32-PB](#) [718-N-A](#) [71M-187-20-NBL](#) [71M-250-32-NBL](#) [72F-187-20-NBL](#) [72M-250-32-NBL](#) [7310](#) [73F-250-32](#) [73F-250-32-NL](#) [F14-10C](#) [F-1M](#) [751-250](#) [76650-5002](#) [76828-149](#)