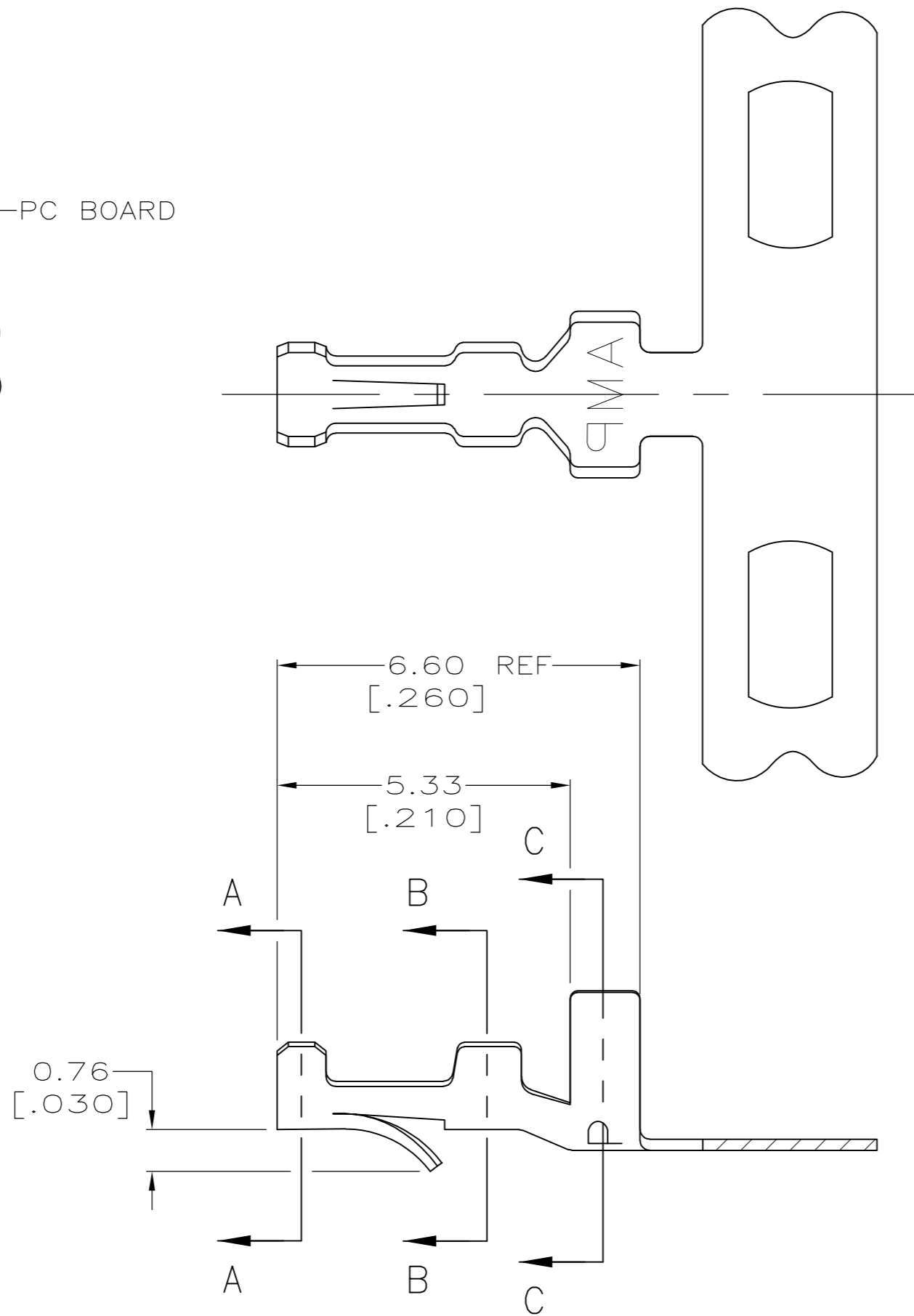
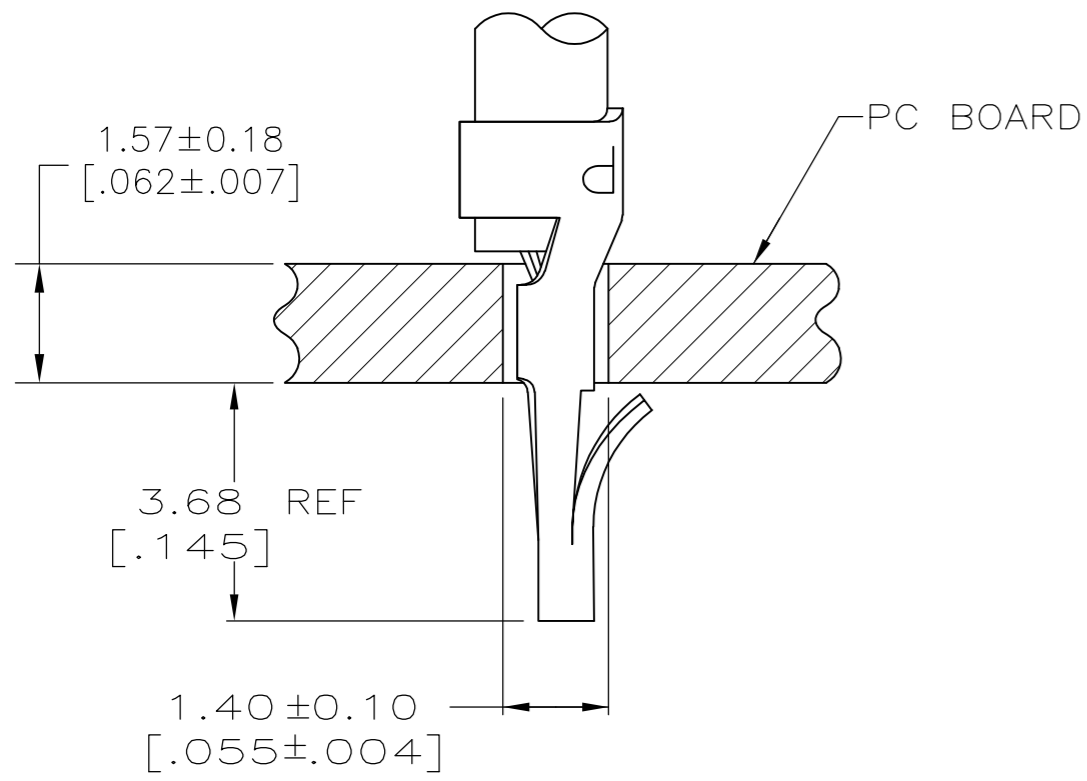
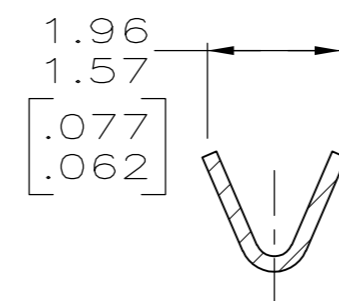


THIS DRAWING IS UNPUBLISHED. RELEASED FOR PUBLICATION  
 © COPYRIGHT - By - ALL RIGHTS RESERVED.

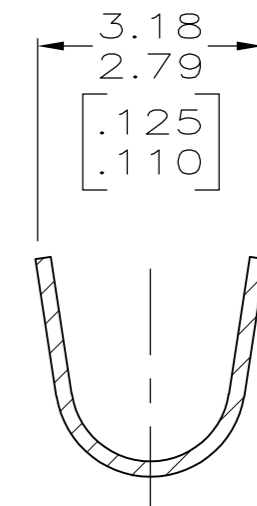
LOC		DIST		REVISIONS			
P	LTR	DESCRIPTION		DATE	DWN	APVD	
CM	00	P2		REVISED PER ECO-12-014997	22AUG12	KH SM	



- 1 PARTS COMPLY WITH AMP SOLDERABILITY SPEC 109-11-3.
- 2 PARTS CAPABLE OF BEING APPLIED BY AMPOMATOR.
- 3 0.00508 [.000200] MIN BRIGHT TIN-LEAD.
- 4 0.00381 [.000150] MIN BRIGHT TIN-LEAD OVER 0.00127 [.000050] MIN NICKEL.
- 5 WIRE RANGE: 0.12 - 0.4 mm<sup>2</sup> (26 - 22 AWG).
- 6 INSULATION RANGE: 1.02 - 2.54 [.040 - .100] DIA.
- 7 DIMENSIONS IN BRACKETS ARE IN INCHES.
- 8 0.00508 [.000200] MIN BRIGHT TIN.



SECTION A-A, B-B



SECTION C-C

	MINI	8	0.20[.008] PH BRZ	3-640401-1
	MINI	4	0.20[.008] PH BRZ	640401-3
SUPERSEDED BY 3-640401-1	MINI	3	0.20[.008] PH BRZ	640401-1
	APPLICATOR	FINISH	MATERIAL	PART NO

**METRIC**

THIS DRAWING IS A CONTROLLED DOCUMENT.		DWN S. CARPENTER 21AUG2003	<b>STE</b> TE Connectivity	
DIMENSIONS: INCHES		CHK J. ELLIS 21AUG2003		
TOLERANCES UNLESS OTHERWISE SPECIFIED:		APVD J. ELLIS 21AUG2003	NAME MINI AMP-IN™	
0 PLC ±		PRODUCT SPEC	APPLICATION SPEC	
1 PLC ±			114-1016	
2 PLC ±			SIZE A2	CAGE CODE 00779
3 PLC ± 0.13 [.005]			DRAWING NO C-640401	RESTRICTED TO -
4 PLC ±			WEIGHT	SCALE 10:1
ANGLES ±			CUSTOMER DRAWING	SHEET 1 of 1
MATERIAL SEE TABLE		FINISH SEE TABLE	REV P2	

## X-ON Electronics

Largest Supplier of Electrical and Electronic Components

*Click to view similar products for [Terminals](#) category:*

*Click to view products by [TE Connectivity](#) manufacturer:*

Other Similar products are found below :

[HT-13-10](#) [71M-250-32-NB](#) [01-2065-1-0216](#) [00581P0075](#) [M10-10RX](#) [M10BCK](#) [60205-1](#) [604200-1](#) [60598-1-CUT-TAPE](#) [60617-1-C](#) [60873-1](#) [M14-516R/SK](#) [M14-6RSX](#) [M18-8FBX](#) [M18-8R/LX](#) [M18BCK](#) [61314-6-C](#) [61-S](#) [61-SN-A](#) [62-NBM-A](#) [63-S](#) [640179-1](#) [640917-2-CUT-TAPE](#) [6501550002](#) [66107-2-C](#) [696683-1](#) [696834-1](#) [696861-1](#) [696931-1](#) [696999-1](#) [M8-516RK](#) [M86700006](#) [MA250DMFMX-A](#) [701-2007](#) [701-2307](#) [701-7761-03](#) [70F-110-32-PB](#) [718-N-A](#) [71M-187-20-NBL](#) [71M-250-32-NBL](#) [72F-187-20-NBL](#) [72M-250-32-NBL](#) [7310](#) [73F-250-32](#) [73F-250-32-NL](#) [F14-10C](#) [F-1M](#) [751-250](#) [76650-5002](#) [76828-149](#)