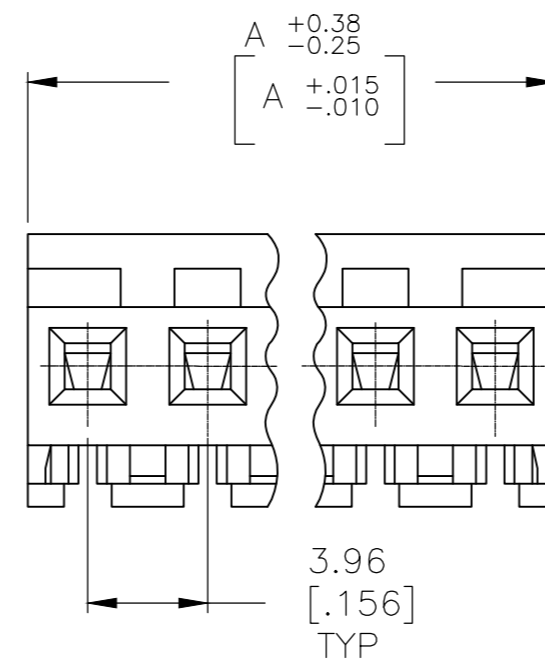
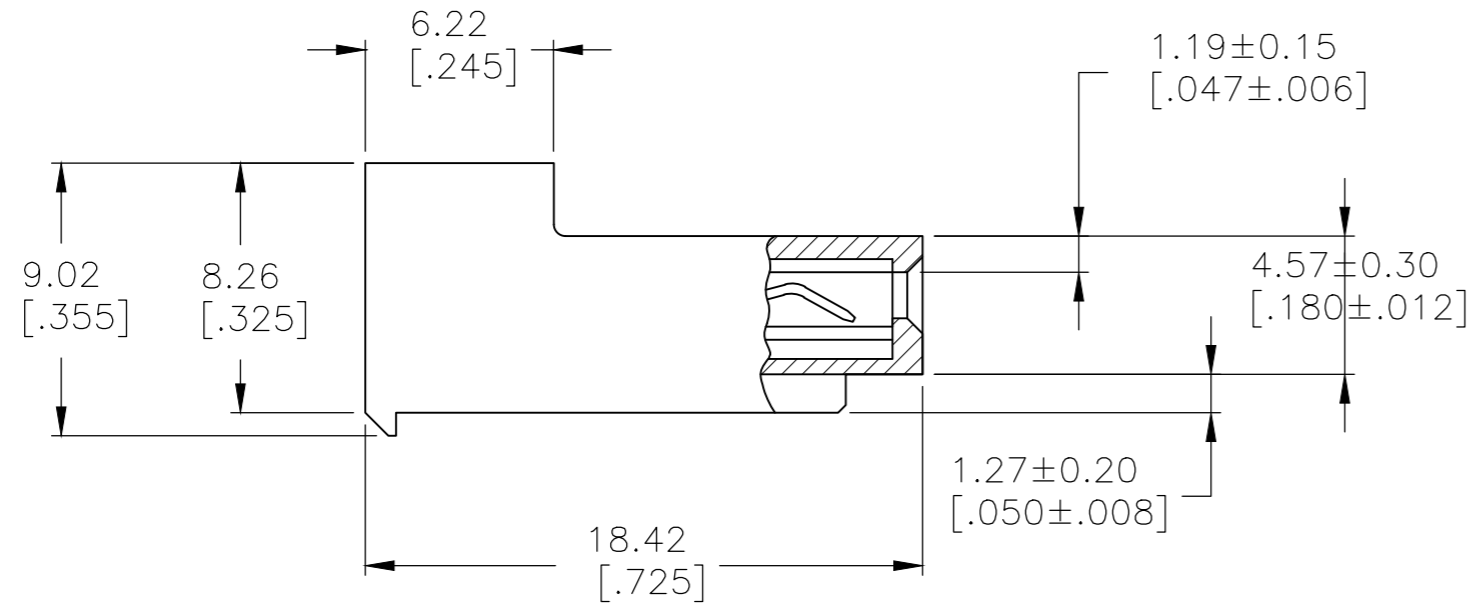
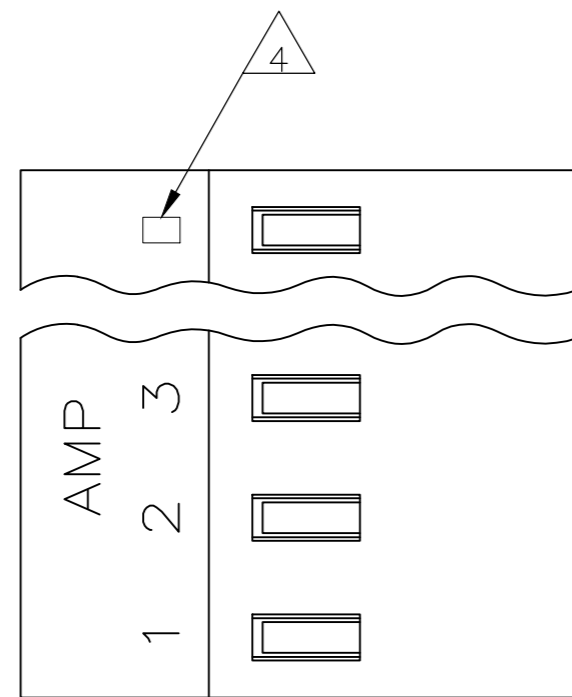


THIS DRAWING IS UNPUBLISHED. RELEASED FOR PUBLICATION
 © COPYRIGHT - By - TE CONNECTIVITY ALL RIGHTS RESERVED.

REVISIONS					
P	LTR	DESCRIPTION	DATE	DWN	APVD
U		REVISED PER ECR-20-000822	27MAY2020	PC	SW



1 MATERIAL: CONNECTOR - NYLON UL94-V2 (RED).
 CONTACTS - 0.30[.012] THICK COPPER ALLOY
 (BRIGHT TIN-LEAD 0.00203[.000080] MIN. THICK
 FOR CONTACTS 640433-2 THRU 2-640433-4).
 (MATTE WHSIKER MITIGATED TIN 0.00203[.000080]
 MIN. THICKNESS OVER NICKEL UNDERPLATE FOR
 3-640433-2 THRU 5-640433-4).

2 CONTACTS ACCEPT 22 AWG WIRE WITH 2.41[.095] MAX
 INSULATION DIAMETER.

3 CONTACTS MUST ACCEPT 1.14±0.03[.045]
 POST AND REMAIN LOCKED IN POSITION.

4 IDENTIFICATION NUMBER FOR LAST CIRCUIT MAY
 NOT APPEAR ON ALL ASSEMBLIES.

5 DIMENSIONS IN BRACKETS ARE IN INCHES.

6 HOUSING FEATURES ARE: CLOSED END WITH LOCKING
 RAMP.

7 OBSOLETE PARTS: OBSOLETE CIS STREAMLINING PER D.RENAUD/D.SINISI

95.10[3.744]	24	5-640433-4
91.13[3.588]	23	5-640433-3
87.17[3.432]	22	5-640433-2
83.21[3.276]	21	5-640433-1
79.25[3.120]	20	5-640433-0
75.29[2.964]	19	4-640433-9
71.32[2.808]	18	4-640433-8
67.36[2.652]	17	4-640433-7
63.40[2.496]	16	4-640433-6
59.44[2.340]	15	4-640433-5
55.47[2.184]	14	4-640433-4
51.51[2.028]	13	4-640433-3
47.55[1.872]	12	4-640433-2
43.59[1.716]	11	4-640433-1
39.62[1.560]	10	4-640433-0
35.66[1.404]	9	3-640433-9
31.70[1.248]	8	3-640433-8
27.74[1.092]	7	3-640433-7
23.77[.936]	6	3-640433-6
19.81[.780]	5	3-640433-5
15.85[.624]	4	3-640433-4
11.89[.468]	3	3-640433-3
7.92[.312]	2	3-640433-2

SUPERSEDED	95.10[3.744]	24	2-640433-4
SUPERSEDED	91.13[3.588]	23	2-640433-3
7	87.17[3.432]	22	2-640433-2
7	83.21[3.276]	21	2-640433-1
SUPERSEDED	79.25[3.120]	20	1-640433-0
SUPERSEDED	75.29[2.964]	19	1-640433-9
7	71.32[2.808]	18	1-640433-8
SUPERSEDED	67.36[2.652]	17	1-640433-7
SUPERSEDED	63.40[2.496]	16	1-640433-6
SUPERSEDED	59.44[2.340]	15	1-640433-5
7	55.47[2.184]	14	1-640433-4
SUPERSEDED	51.51[2.028]	13	1-640433-3
7	47.55[1.872]	12	1-640433-2
7	43.59[1.716]	11	1-640433-1
SUPERSEDED	39.62[1.560]	10	1-640433-0
SUPERSEDED	35.66[1.404]	9	640433-9
SUPERSEDED	31.70[1.248]	8	640433-8
SUPERSEDED	27.74[1.092]	7	640433-7
SUPERSEDED	23.77[.936]	6	640433-6
SUPERSEDED	19.81[.780]	5	640433-5
SUPERSEDED	15.85[.624]	4	640433-4
SUPERSEDED	11.89[.468]	3	640433-3
SUPERSEDED	7.92[.312]	2	640433-2

DIM A NO. OF CIRCUITS PART NO.

THIS DRAWING IS A CONTROLLED DOCUMENT.		DWN S. CARPENTER 13AUG2003	TE Connectivity Ltd.	
DIMENSIONS: mm [INCHES]		CHK D. BOSSI 13AUG2003		
TOLERANCES UNLESS OTHERWISE SPECIFIED:		APVD D. BOSSI 13AUG2003	NAME	
0 PLC ± - 1 PLC ± - 2 PLC ± - 3 PLC ± 0.13 [.005] 4 PLC ± - ANGLES ± -		PRODUCT SPEC 108-1051	MTA 156 CONNECTOR ASSEMBLY, 22 AWG, STANDARD	
MATERIAL		APPLICATION SPEC 114-1020	SIZE A2	CAGE CODE 00779
FINISH		WEIGHT 0.000000	DRAWING NO. C=640433	RESTRICTED TO -
1		CUSTOMER DRAWING		SCALE 4:1
		SHEET 1 of 1		REV U

X-ON Electronics

Largest Supplier of Electrical and Electronic Components

Click to view similar products for [Headers & Wire Housings](#) category:

Click to view products by [TE Connectivity](#) manufacturer:

Other Similar products are found below :

[892-18-020-10-001101](#) [58102-G61-06LF](#) [582553-1](#) [0009485154](#) [009176003701906](#) [0050291907](#) [LY20-4P-DT1-P1E-BR](#) [02.125.8002.8](#)
[609-3404](#) [61062-3](#) [61082-181009](#) [622-3653LF](#) [63453-116](#) [636-1030](#) [636-1427](#) [636-3427](#) [636-4007](#) [641938-9](#) [641991-4](#) [644827-2](#) [65817-](#)
[010LF](#) [65817-015LF](#) [65863-015LF](#) [66207-023LF](#) [67095-007LF](#) [67601157](#) [68645-018](#) [68648-049](#) [70.362.1628.0](#) [70-4210](#) [70-4226B](#) [70-](#)
[4853B](#) [707-5020](#) [707-5028](#) [71.350.2428.0](#) [71918-208LF](#) [71961-016LF](#) [733-134](#) [733-162](#) [754199-000](#) [760-3052](#) [787-8014-00](#) [79531-3000](#)
[FCN-360C032-B](#) [FCN-367T-T012/H](#) [FCN-723D010/2](#) [80.063.4001.1](#) [800-90-001-10-001000](#) [800-90-010-10-002000](#) [801-43-002-10-013000](#)