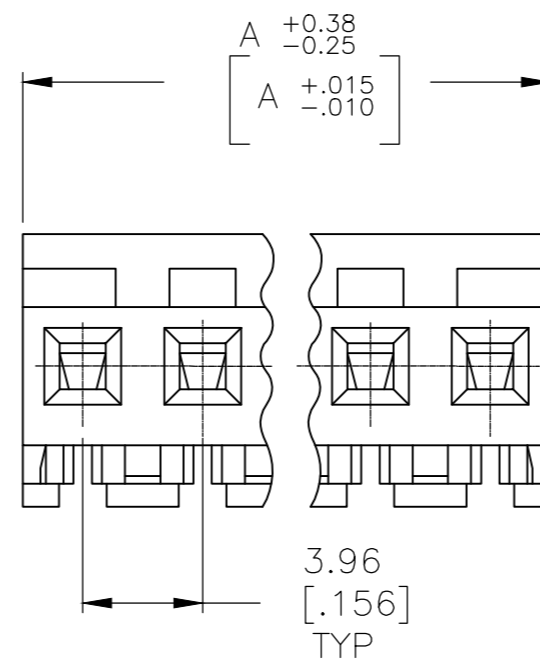
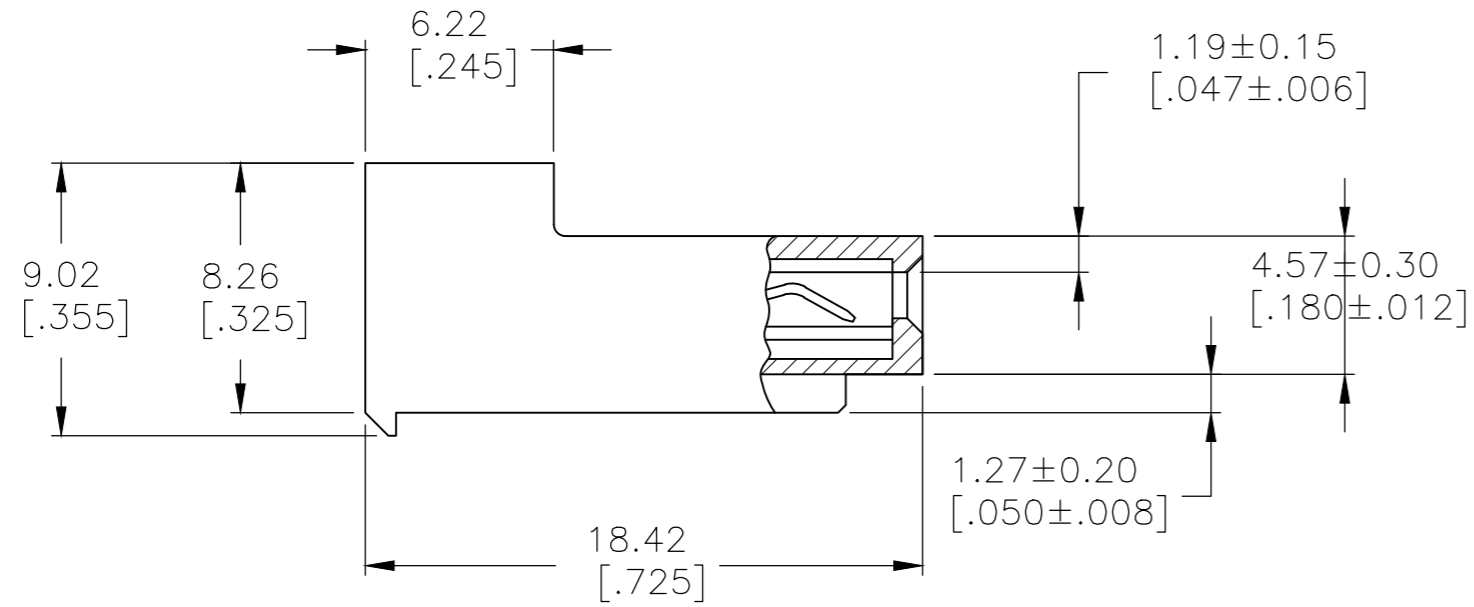
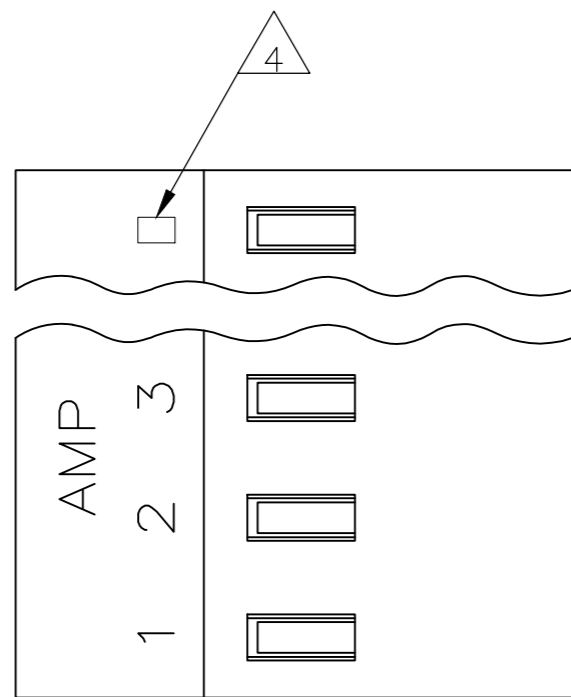


THIS DRAWING IS UNPUBLISHED. RELEASED FOR PUBLICATION
 © COPYRIGHT - By - TE CONNECTIVITY ALL RIGHTS RESERVED.

REVISIONS					
P	LTR	DESCRIPTION	DATE	DWN	APVD
U		REVISED PER ECR-20-000822	27MAY2020	PC	SW



95.10[3.744]	24	5-640433-4
91.13[3.588]	23	5-640433-3
87.17[3.432]	22	5-640433-2
83.21[3.276]	21	5-640433-1
79.25[3.120]	20	5-640433-0
75.29[2.964]	19	4-640433-9
71.32[2.808]	18	4-640433-8
67.36[2.652]	17	4-640433-7
63.40[2.496]	16	4-640433-6
59.44[2.340]	15	4-640433-5
55.47[2.184]	14	4-640433-4
51.51[2.028]	13	4-640433-3
47.55[1.872]	12	4-640433-2
43.59[1.716]	11	4-640433-1
39.62[1.560]	10	4-640433-0
35.66[1.404]	9	3-640433-9
31.70[1.248]	8	3-640433-8
27.74[1.092]	7	3-640433-7
23.77[.936]	6	3-640433-6
19.81[.780]	5	3-640433-5
15.85[.624]	4	3-640433-4
11.89[.468]	3	3-640433-3
7.92[.312]	2	3-640433-2

SUPERSEDED	95.10[3.744]	24	2-640433-4
SUPERSEDED	91.13[3.588]	23	2-640433-3
7	87.17[3.432]	22	2-640433-2
7	83.21[3.276]	21	2-640433-1
SUPERSEDED	79.25[3.120]	20	1-640433-0
SUPERSEDED	75.29[2.964]	19	1-640433-9
7	71.32[2.808]	18	1-640433-8
SUPERSEDED	67.36[2.652]	17	1-640433-7
SUPERSEDED	63.40[2.496]	16	1-640433-6
SUPERSEDED	59.44[2.340]	15	1-640433-5
7	55.47[2.184]	14	1-640433-4
SUPERSEDED	51.51[2.028]	13	1-640433-3
7	47.55[1.872]	12	1-640433-2
7	43.59[1.716]	11	1-640433-1
SUPERSEDED	39.62[1.560]	10	1-640433-0
SUPERSEDED	35.66[1.404]	9	640433-9
SUPERSEDED	31.70[1.248]	8	640433-8
SUPERSEDED	27.74[1.092]	7	640433-7
SUPERSEDED	23.77[.936]	6	640433-6
SUPERSEDED	19.81[.780]	5	640433-5
SUPERSEDED	15.85[.624]	4	640433-4
SUPERSEDED	11.89[.468]	3	640433-3
SUPERSEDED	7.92[.312]	2	640433-2

1 MATERIAL: CONNECTOR - NYLON UL94-V2 (RED).
 CONTACTS - 0.30[.012] THICK COPPER ALLOY
 (BRIGHT TIN-LEAD 0.00203[.000080] MIN. THICK FOR CONTACTS 640433-2 THRU 2-640433-4).
 (MATTE WHSIKER MITIGATED TIN 0.00203[.000080] MIN. THICKNESS OVER NICKEL UNDERPLATE FOR 3-640433-2 THRU 5-640433-4).

2 CONTACTS ACCEPT 22 AWG WIRE WITH 2.41[.095] MAX INSULATION DIAMETER.

3 CONTACTS MUST ACCEPT 1.14±0.03[.045] POST AND REMAIN LOCKED IN POSITION.

4 IDENTIFICATION NUMBER FOR LAST CIRCUIT MAY NOT APPEAR ON ALL ASSEMBLIES.

5 DIMENSIONS IN BRACKETS ARE IN INCHES.

6 HOUSING FEATURES ARE: CLOSED END WITH LOCKING RAMP.

7 OBSOLETE PARTS: OBSOLETE CIS STREAMLINING PER D.RENAUD/D.SINISI

THIS DRAWING IS A CONTROLLED DOCUMENT.		DWN S. CARPENTER 13AUG2003	TE Connectivity Ltd.	
DIMENSIONS: mm [INCHES]		CHK D. BOSSI 13AUG2003	NAME	
TOLERANCES UNLESS OTHERWISE SPECIFIED:		APVD D. BOSSI 13AUG2003	MTA 156 CONNECTOR ASSEMBLY, 22 AWG, STANDARD	
0 PLC ± -		PRODUCT SPEC	SIZE	CAGE CODE
1 PLC ± -		108-1051	A2	00779
2 PLC ± -		APPLICATION SPEC	DRAWING NO	RESTRICTED TO
3 PLC ± 0.13 [.005]		114-1020	C=640433	-
4 PLC ± -		WEIGHT	SCALE	SHEET
4 PLC ANGLES ± -		0.000000	4:1	1 of 1
MATERIAL		FINISH	CUSTOMER DRAWING	REV
1		1		U

X-ON Electronics

Largest Supplier of Electrical and Electronic Components

Click to view similar products for [Headers & Wire Housings](#) category:

Click to view products by [TE Connectivity](#) manufacturer:

Other Similar products are found below :

[95000-104TRLF](#) [10135584-644402LF](#) [DF62W-EP2022PCA](#) [95000-106TRLF](#) [DF62W-2022SCA](#) [DF62W-EP2022PC](#) [2203348](#) [DF62W-2022SC](#) [1084018](#) [1029039](#) [1084017](#) [802-10-012-10-002000](#) [1112640](#) [1112639](#) [000-34000](#) [0009482033](#) [0009507031](#) [57102-S06-03LF](#) [57202-S52-04LF](#) [PCN6-15S-2.5E](#) [0039019024](#) [58102-G61-06LF](#) [582553-1](#) [0009508121](#) [0050291907](#) [018731A](#) [LY20-4P-DT1-P1E-BR](#) [02.125.8002.8](#) [60101931](#) [60598-1 \(Cut Strip\)](#) [M1625-3R/100](#) [61062-3](#) [61082-181009](#) [636-1427](#) [638009-1](#) [641938-9](#) [641991-4](#) [644168-1](#) [647662-1](#) [65039-019ELF](#) [65817-002LF](#) [65817-015LF](#) [65863-015LF](#) [66207-023LF](#) [67016-026LF](#) [67046-001LF](#) [67095-007LF](#) [68002-116](#) [68016-236H](#) [68648-049](#)