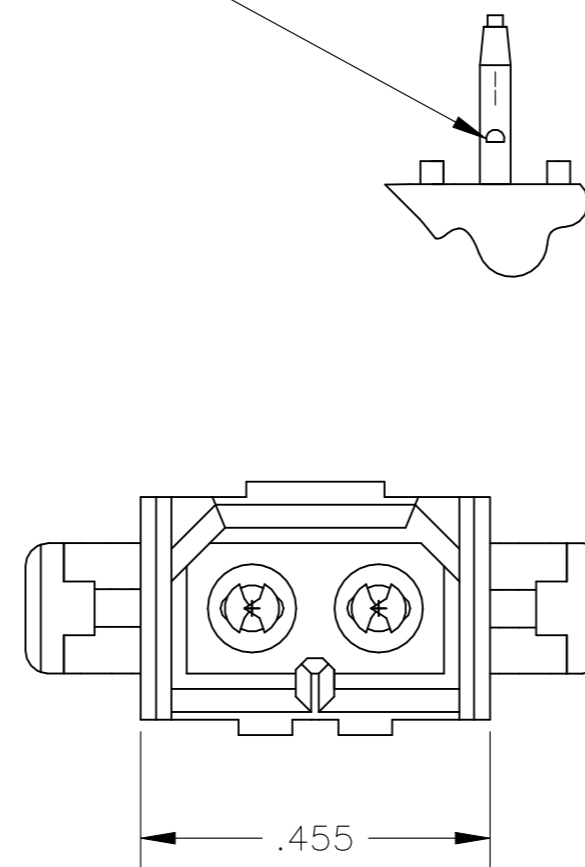
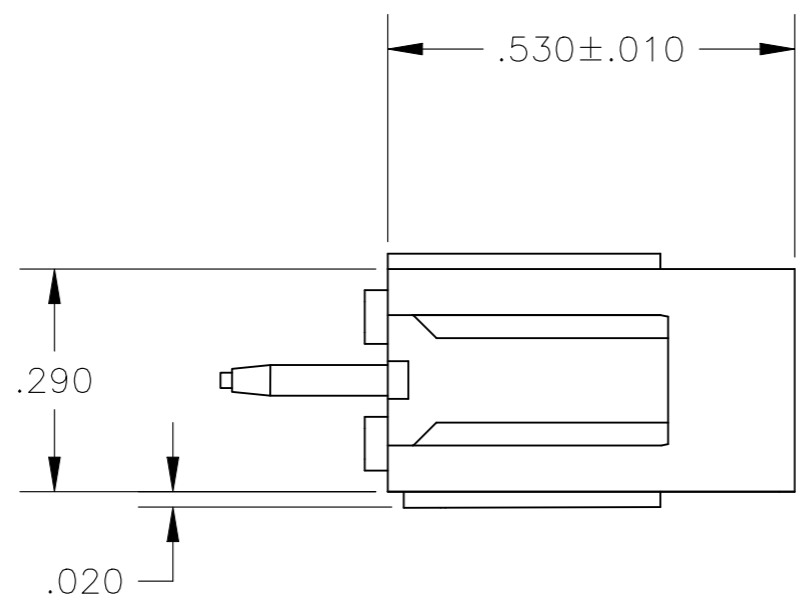
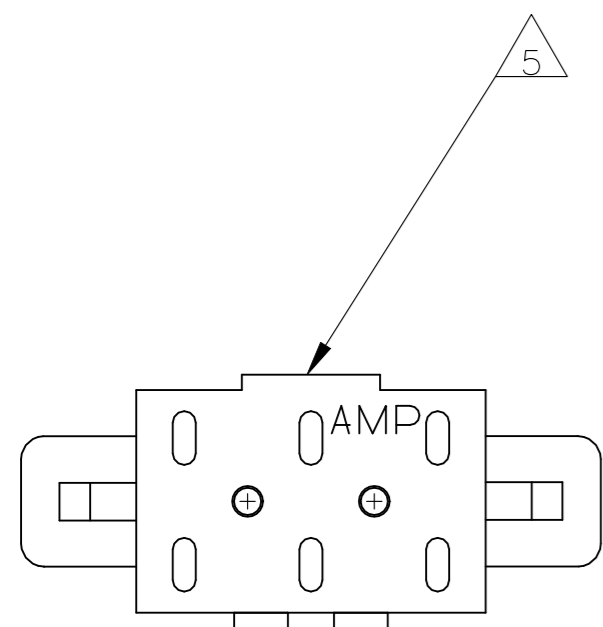
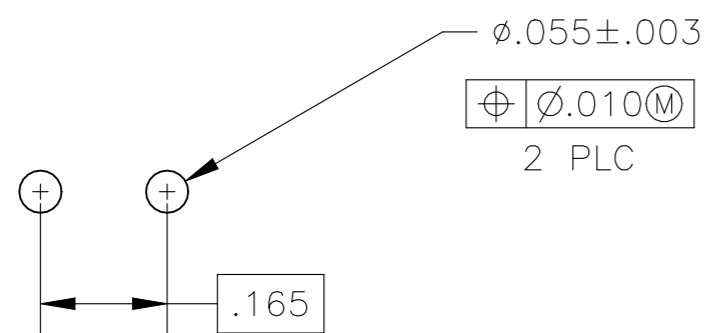
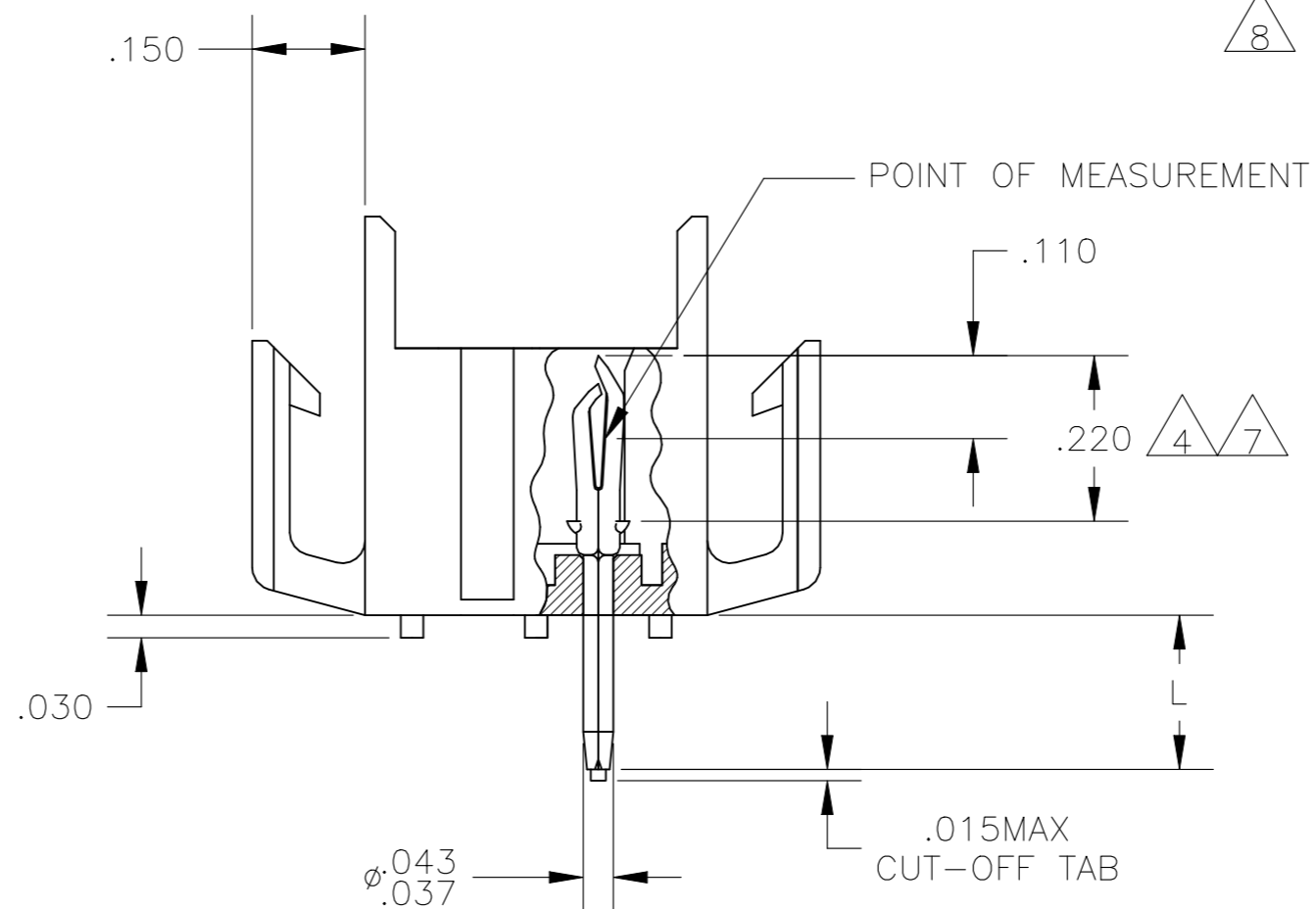


REVISIONS				
P	LTR	DESCRIPTION	DATE	APVD
R		REVISED PER ECO-21-005962	19MAY2021	RK MZ

ANTI SOLDER WICKING TAB



1. FITS SOCKET HOUSING 640517.
2. ASSEMBLY CONFORMS TO AMP SOLDERABILITY SPEC. 109-11-3.
3. FOR USE WITH .063 THICK P.C. BOARD.
4. CONTACT IS PLATED OVERALL WITH .000050 NICKEL, THEN .000030 GOLD OVER CONTACT LENGTH INDICATED AND .000150 MATTE TIN-LEAD ON SOLDER TAIL END.
5. UL AND CSA LOGO LOCATED ON THIS SURFACE.
6. FOR USE WITH .120 THICK P.C. BOARD.
7. CONTACT IS PLATED OVERALL WITH .000050 NICKEL, THEN .000030 GOLD OVER CONTACT LENGTH INDICATED AND .000150 MATTE TIN ON SOLDER TAIL END.
8. HOUSING MATERIAL: PA66, BLACK, UL 94 V-0 RATED
CONTACT MATERIAL: PHOSPHOR BRONZE

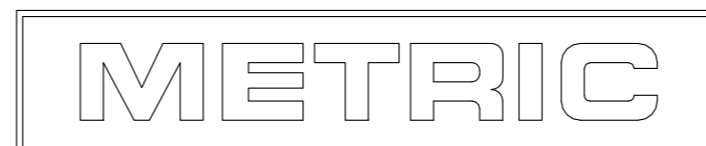


RECOMMENDED P.C. BOARD LAYOUT

IN	MM	IN	MM
.043	1.09	.530	13.46
.037	0.94	.455	11.56
.030	0.76	.290	7.37
.020	0.51	.220	5.59
.015	0.38	.210	5.33
.010	0.25	.165	4.19
.008	0.20	.150	3.81
.005	0.13	.110	2.79
.003	0.08	.063	1.60
.000050	0.00127	.055	1.40
IN	MM	IN	MM

CONVERSION TABLE

.210	6	GOLD	7	2-640497-4
.150	3	GOLD	7	2-640497-2
.210	6	GOLD	4	640497-4
.210	6	PRE-TIN		640497-3
.150	3	GOLD	4	640497-2
.150	3	PRE-TIN		640497-1
"L" +.010 -.020		PIN FINISH		PART NUMBER



THIS DRAWING IS A CONTROLLED DOCUMENT.

DWN	J. HUFFMAN	27APR98
CHK	R. SWING	27APR98
APVD	T. BEDDICK	27APR98
PRODUCT SPEC		
APPLICATION SPEC		
WEIGHT	-	
CUSTOMER DRAWING		

SIZE	A2
CAGE CODE	00779
DRAWING NO	C-640497
SCALE	4:1
SHEET	1 of 1
REV	R

NAME		TE Connectivity	
NAME		HEADER ASSEMBLY, PIN, 2 POSITION, MR.	
RESTRICTED TO			

X-ON Electronics

Largest Supplier of Electrical and Electronic Components

Click to view similar products for [Headers & Wire Housings](#) category:

Click to view products by [TE Connectivity](#) manufacturer:

Other Similar products are found below :

[892-18-020-10-001101](#) [58102-G61-06LF](#) [582553-1](#) [0009485154](#) [009176003701906](#) [0050291907](#) [LY20-4P-DT1-P1E-BR](#) [02.125.8002.8](#)
[609-3404](#) [61062-3](#) [61082-181009](#) [622-3653LF](#) [63453-116](#) [636-1030](#) [636-1427](#) [636-3427](#) [636-4007](#) [641938-9](#) [641991-4](#) [644827-2](#) [65817-](#)
[010LF](#) [65817-015LF](#) [65863-015LF](#) [66207-023LF](#) [67095-007LF](#) [67601157](#) [68645-018](#) [68648-049](#) [70.362.1628.0](#) [70-4210](#) [70-4226B](#) [70-](#)
[4853B](#) [707-5020](#) [707-5028](#) [71.350.2428.0](#) [71918-208LF](#) [71961-016LF](#) [733-134](#) [733-162](#) [754199-000](#) [760-3052](#) [787-8014-00](#) [79531-3000](#)
[FCN-360C032-B](#) [FCN-367T-T012/H](#) [FCN-723D010/2](#) [80.063.4001.1](#) [800-90-001-10-001000](#) [800-90-010-10-002000](#) [801-43-002-10-013000](#)