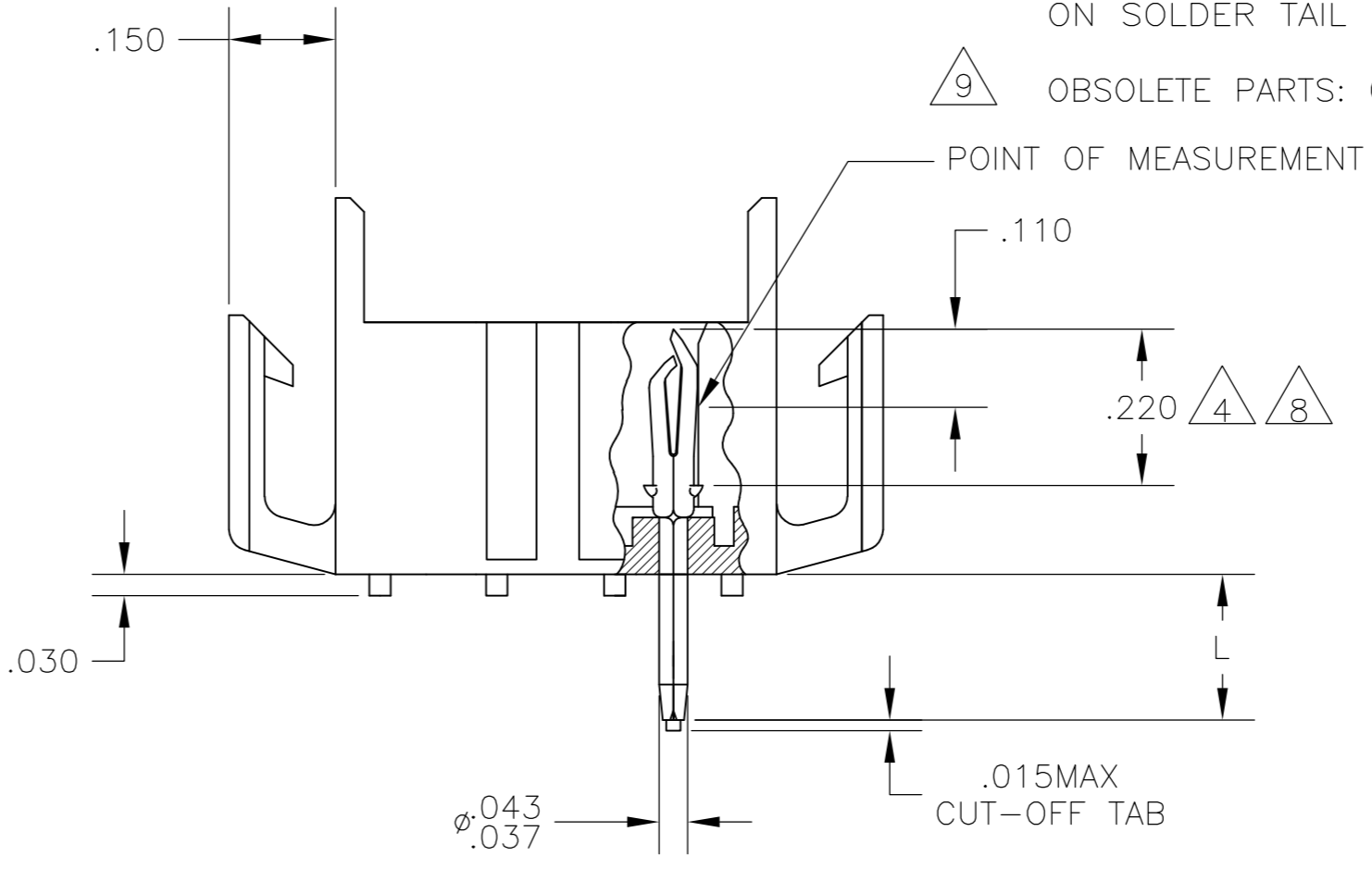
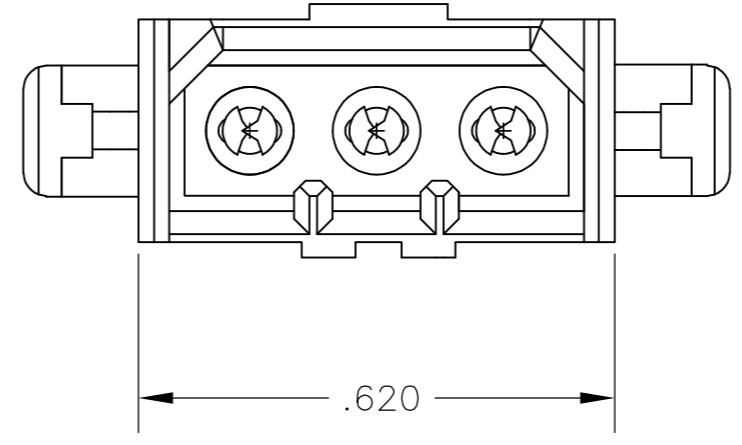
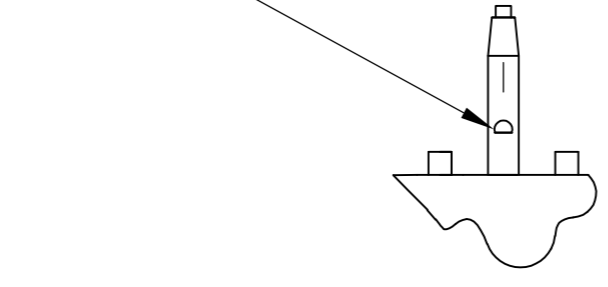
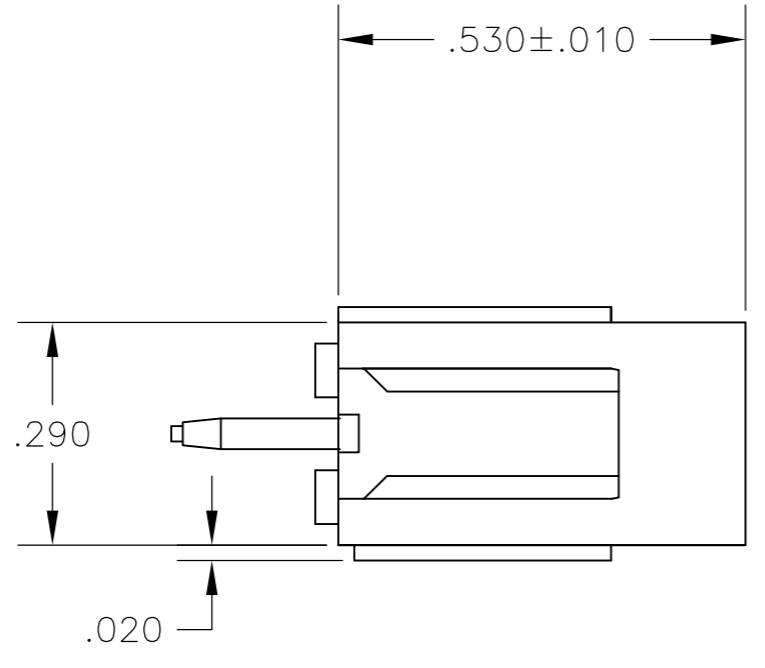
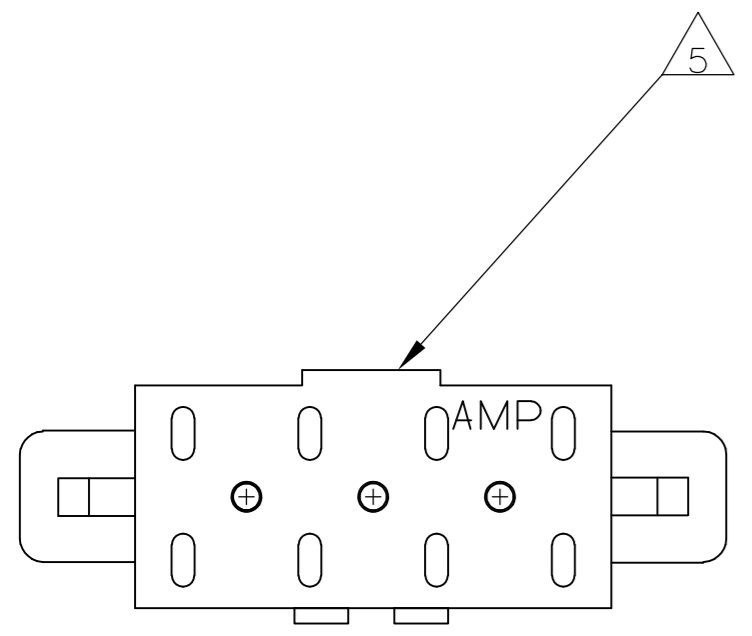


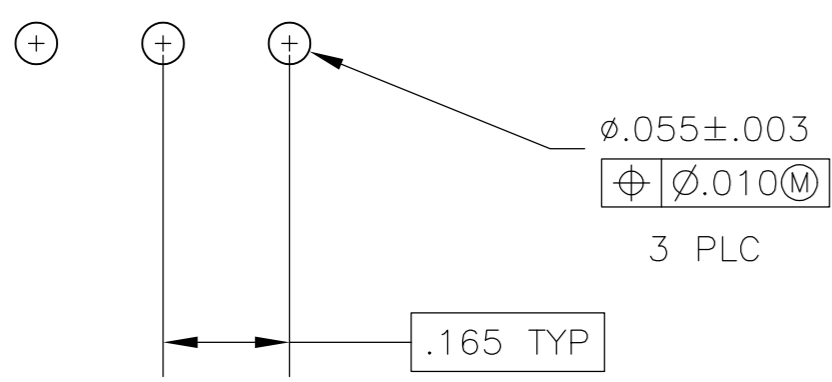
THIS DRAWING IS UNPUBLISHED. RELEASED FOR PUBLICATION
 © COPYRIGHT - By - ALL RIGHTS RESERVED.

LOC		DIST		REVISIONS			
P	LTR	DESCRIPTION		DATE	DWN	APVD	
CM	0	R2	REVISED PER ECO-11-004917		11MAR11	RK	HMR

ANTI SOLDER WICKING TAB



1. FITS SOCKET HOUSING 640518.
2. ASSEMBLY CONFORMS TO AMP SOLDERABILITY SPEC. 109-11-3.
3. FOR USE WITH .063 THICK P.C. BOARD.
4. CONTACT IS PLATED OVERALL WITH .000050 NICKEL, THEN .000030 GOLD OVER CONTACT LENGTH INDICATED AND .000150 MATTE TIN-LEAD ON SOLDER TAIL END.
5. UL AND CSA LOGO LOCATED ON THIS SURFACE.
6. FOR USE WITH .120 THICK P.C. BOARD.
7. FOR USE WITH .093 THICK P.C. BOARD.
8. CONTACT IS PLATED OVERALL WITH .000050 NICKEL, THEN .000030 GOLD OVER CONTACT LENGTH INDICATED AND .000150 MATTE TIN ON SOLDER TAIL END.
9. OBSOLETE PARTS: OBSOLETE CIS STREAMLINING PER D.RENAUD/D.SINISI

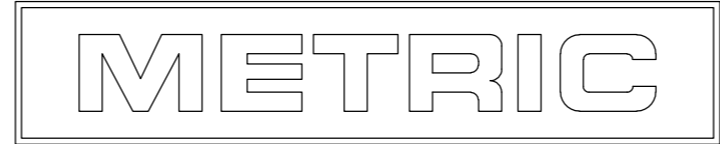


RECOMMENDED P.C. BOARD LAYOUT

.020	0.51	.165	4.19	-	-
.015	0.38	.150	3.81	-	-
.010	0.25	.110	2.79	.620	15.75
.008	0.20	.063	1.60	.530	13.46
.005	0.13	.055	1.40	.290	7.37
.003	0.08	.043	1.09	.220	5.59
.000050	0.00127	.037	0.94	.210	5.33
.000030	0.00076	.030	0.76	.180	4.57
IN	MM	IN	MM	IN	MM

CONVERSION TABLE

9 OBSOLETE	.180	7	BRICK RED	GOLD	8	2-640498-6
	.210	6	BRICK RED	GOLD	8	2-640498-4
	.150	3	BRICK RED	GOLD	8	2-640498-2
9 OBSOLETE	.180	7	BRICK RED	GOLD	4	640498-6
	.210	6	BRICK RED	GOLD	4	640498-4
	.210	6	BRICK RED	PRE-TIN	4	640498-3
	.150	3	BRICK RED	GOLD	4	640498-2
	.150	3	BRICK RED	PRE-TIN	4	640498-1
"L" +.010 -.020			HOUSING COLOR	PIN FINISH		PART NUMBER



THIS DRAWING IS A CONTROLLED DOCUMENT.

DWN: J. HUFFMAN 27APR98
 CHK: R. SWING 27APR98
 APVD: T. BEDDICK 27APR98

DIMENSIONS: INCHES
 TOLERANCES UNLESS OTHERWISE SPECIFIED:
 0 PLC ± -
 1 PLC ± -
 2 PLC ± -
 3 PLC ± .005
 4 PLC ± -
 ANGLES ± 0°30'

MATERIAL: HOUSING: FLAME RETARDANT NYLON UL 94V-0 PIN: .008 PH. BRZ. FINISH: SEE TABLE

TE Connectivity
 NAME: HEADER ASSEMBLY, PIN, 3 POSITION, MR.
 SIZE: A2 CAGE CODE: 00779 DRAWING NO: 640498
 WEIGHT: - RESTRICTED TO: -
 CUSTOMER DRAWING SCALE: 4:1 SHEET: 1 of 1 REV: R2

X-ON Electronics

Largest Supplier of Electrical and Electronic Components

Click to view similar products for [Power to the Board](#) category:

Click to view products by [TE Connectivity](#) manufacturer:

Other Similar products are found below :

[6450171-4](#) [6450552-7](#) [6600323-8](#) [6643429-1](#) [6646040-2](#) [6651939-1](#) [6766604-1](#) [120959-1](#) [1393557-2](#) [1393532-2](#) [1393532-3](#) [1393532-4](#)
[1393557-1](#) [1600812-5](#) [1-6450861-2](#) [1744132-7](#) [1761122-1](#) [1766250-1](#) [1892109-1](#) [2-6450860-5](#) [2-6450870-0](#) [1-6450161-4](#) [1-6450850-6](#) [1-](#)
[6450869-6](#) [1645526-2](#) [1-6600130-0](#) [2005243-2](#) [377-0020-11130](#) [TE34-12-16P-F0](#) [51700-10201602AALF](#) [5-6450830-6](#) [5646956-4](#) [377-](#)
[0080-11131A](#) [4-6450830-9](#) [4-6600333-3](#) [10125416-4050LF](#) [10130248-005LF](#) [6600320-3](#) [3-6450860-5](#) [1888123-2](#) [6450166-1](#) [6643978-1](#)
[6766605-1](#) [701-15-02109](#) [N11444](#) [6651938-1](#) [6450810-7](#) [46437-1112](#) [1-1589677-8](#) [5646956-5](#)