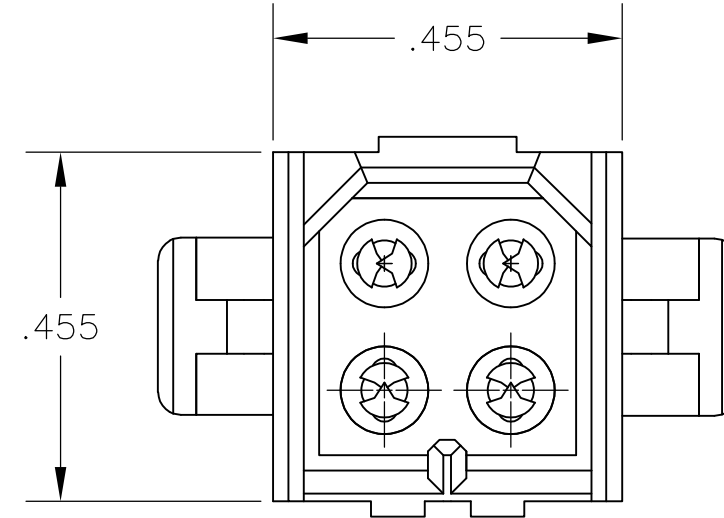
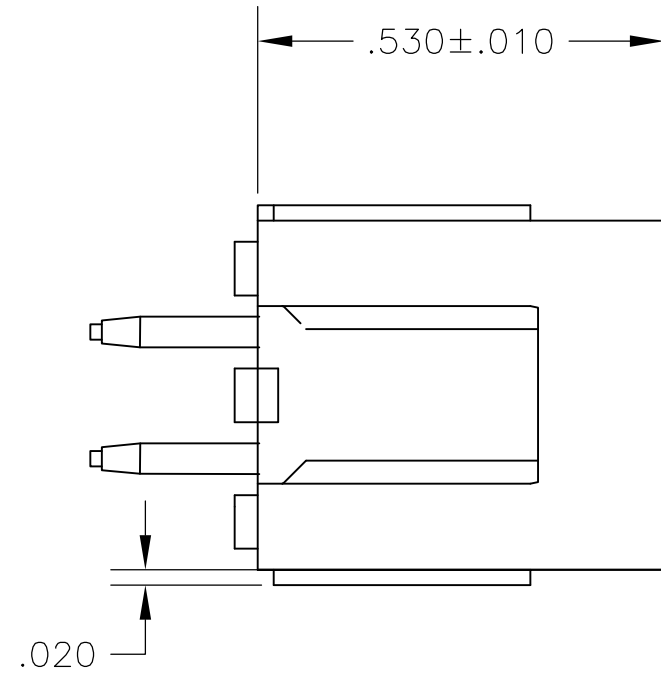
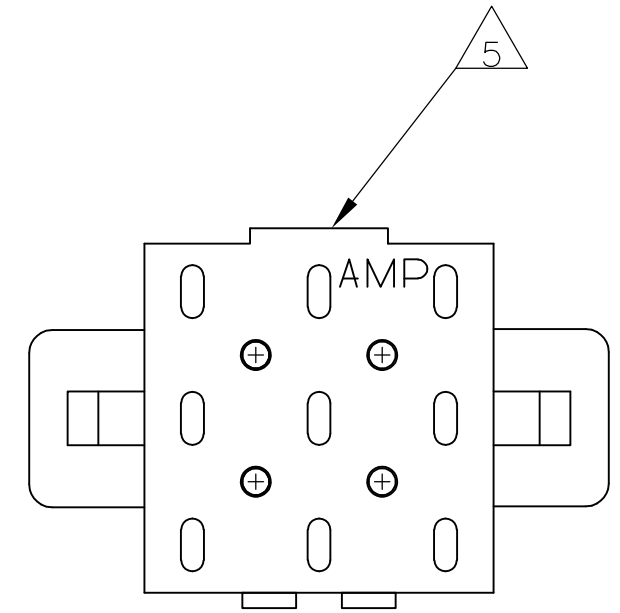


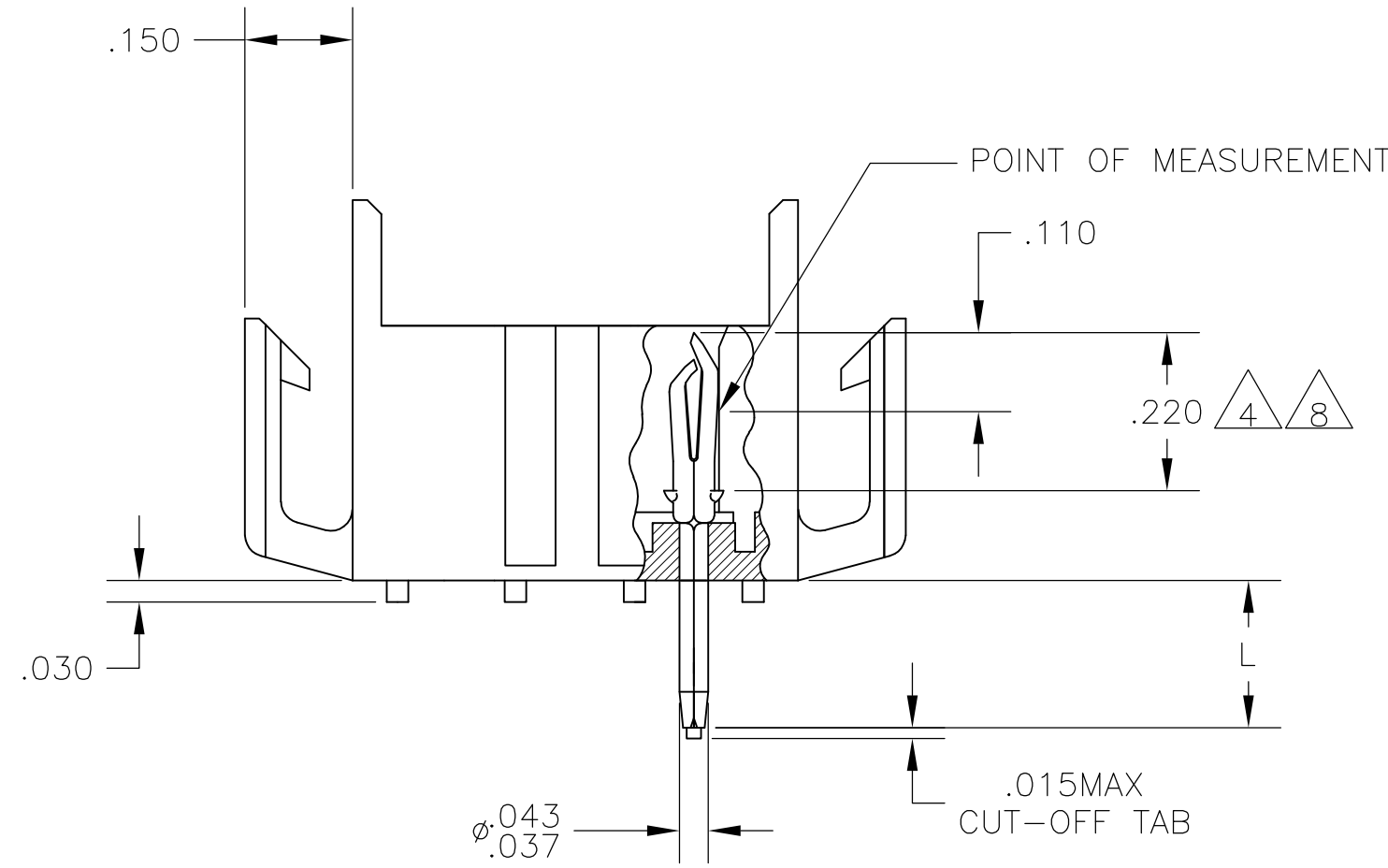
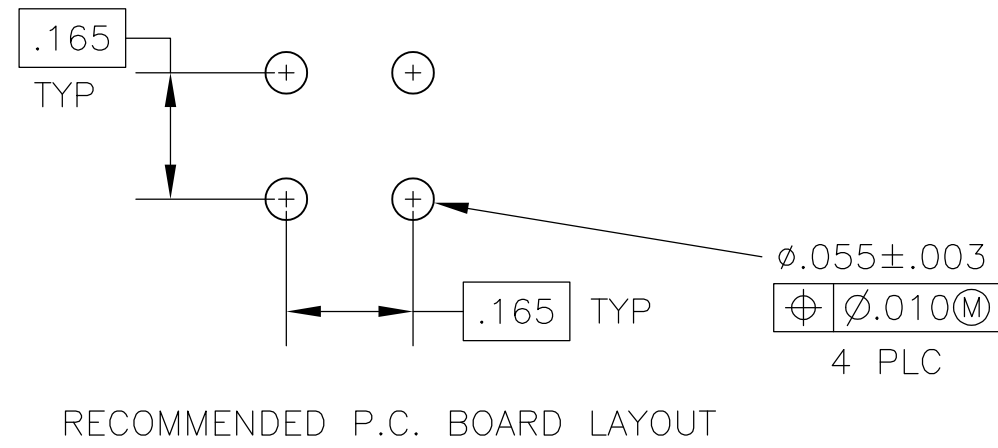
THIS DRAWING IS UNPUBLISHED. RELEASED FOR PUBLICATION  
 © COPYRIGHT - By - ALL RIGHTS RESERVED.

LOC	DIST	REVISIONS					
CM	0	P	LTR	DESCRIPTION	DATE	DWN	APVD
		P2		REVISED PER ECO-11-004917	11MAR11	RK	HMR

ANTI SOLDER WICKING TAB



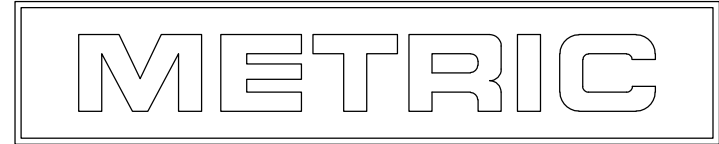
- FITS SOCKET HOUSING 640519.
- ASSEMBLY CONFORMS TO AMP SOLDERABILITY SPEC. 109-11-3.
- FOR USE WITH .063 THICK P.C. BOARD.
- CONTACT IS PLATED OVERALL WITH .000050 NICKEL, THEN .000030 GOLD OVER CONTACT LENGTH INDICATED AND .000150 MATTE TIN-LEAD ON SOLDER TAIL END.
- UL AND CSA LOGO LOCATED ON THIS SURFACE.
- FOR USE WITH .120 THICK P.C. BOARD.
- FOR USE WITH .093 THICK P.C. BOARD.
- CONTACT IS PLATED OVERALL WITH .000050 NICKEL, THEN .000030 GOLD OVER CONTACT LENGTH INDICATED AND .000150 MATTE TIN ON SOLDER TAIL END.
- OBSOLETE PARTS: OBSOLETE CIS STREAMLINING PER D.RENAUD/D.SINISI



9 OBSOLETE	.180	7	BRICK RED	GOLD	8	2-640499-6
	.210	6	BRICK RED	GOLD	8	2-640499-4
	.150	3	BRICK RED	GOLD	8	2-640499-2
9 OBSOLETE	.180	7	BRICK RED	GOLD	4	640499-6
	.210	6	BRICK RED	GOLD	4	640499-4
	.210	6	BRICK RED	PRE-TIN	4	640499-3
	.150	3	BRICK RED	GOLD	4	640499-2
	.150	3	BRICK RED	PRE-TIN	4	640499-1
	"L" +.010 -.020		HOUSING COLOR	PIN FINISH		PART NUMBER

IN	MM	IN	MM	IN	MM	IN	MM
.010	0.25	.055	1.40	.210	5.33	-	-
.008	0.20	.043	1.09	.180	4.57	-	-
.005	0.13	.037	0.94	.165	4.19	-	-
.003	0.08	.030	0.76	.150	3.81	.530	13.46
.000050	0.00127	.020	0.51	.110	2.79	.455	11.56
.000030	0.00076	.015	0.38	.063	1.60	.220	5.59

CONVERSION TABLE



THIS DRAWING IS A CONTROLLED DOCUMENT.

DWN: J. HUFFMAN 27APR98  
 CHK: R. SWING 27APR98  
 APVD: T. BEDDICK 27APR98

TE Connectivity

NAME: HEADER ASSEMBLY, PIN, 4 POSITION, MR.

MATERIAL: HOUSING: FLAME RETARDANT NYLON UL 94V-0 PIN: .008 PH. BRZ.

FINISH: SEE TABLE

SCALE: 4:1 SHEET: 1 of 1 REV: P2

## X-ON Electronics

Largest Supplier of Electrical and Electronic Components

*Click to view similar products for [Power to the Board](#) category:*

*Click to view products by [TE Connectivity](#) manufacturer:*

Other Similar products are found below :

[6450171-4](#) [6450552-7](#) [6600323-8](#) [6643429-1](#) [6646040-2](#) [6651939-1](#) [6766604-1](#) [120959-1](#) [1393557-2](#) [1393532-2](#) [1393532-3](#) [1393532-4](#)  
[1393557-1](#) [1600812-5](#) [1-6450861-2](#) [1744132-7](#) [1761122-1](#) [1766250-1](#) [1892109-1](#) [2-6450860-5](#) [2-6450870-0](#) [1-6450161-4](#) [1-6450850-6](#) [1-](#)  
[6450869-6](#) [1645526-2](#) [1-6600130-0](#) [2005243-2](#) [377-0020-11130](#) [TE34-12-16P-F0](#) [51700-10201602AALF](#) [5-6450830-6](#) [5646956-4](#) [377-](#)  
[0080-11131A](#) [4-6450830-9](#) [4-6600333-3](#) [10125416-4050LF](#) [6600320-3](#) [3-6450860-5](#) [1888123-2](#) [6450166-1](#) [6643978-1](#) [6766605-1](#)  
[701-15-02109](#) [N11444](#) [6651938-1](#) [6450810-7](#) [46437-1112](#) [1-1589677-8](#) [5646956-5](#) [6450813-2](#)