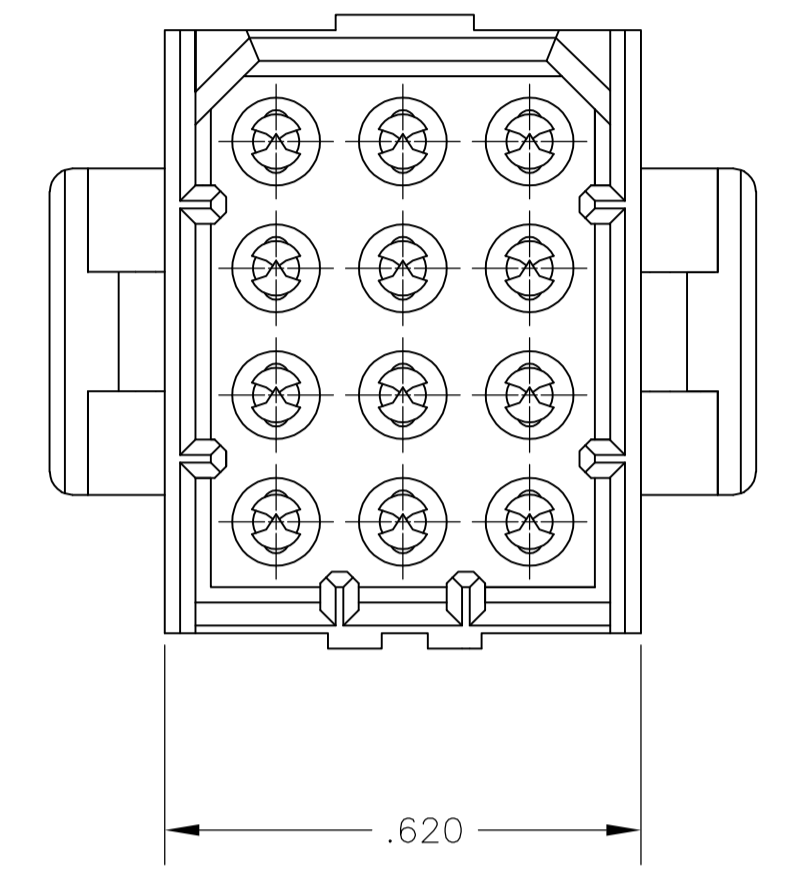
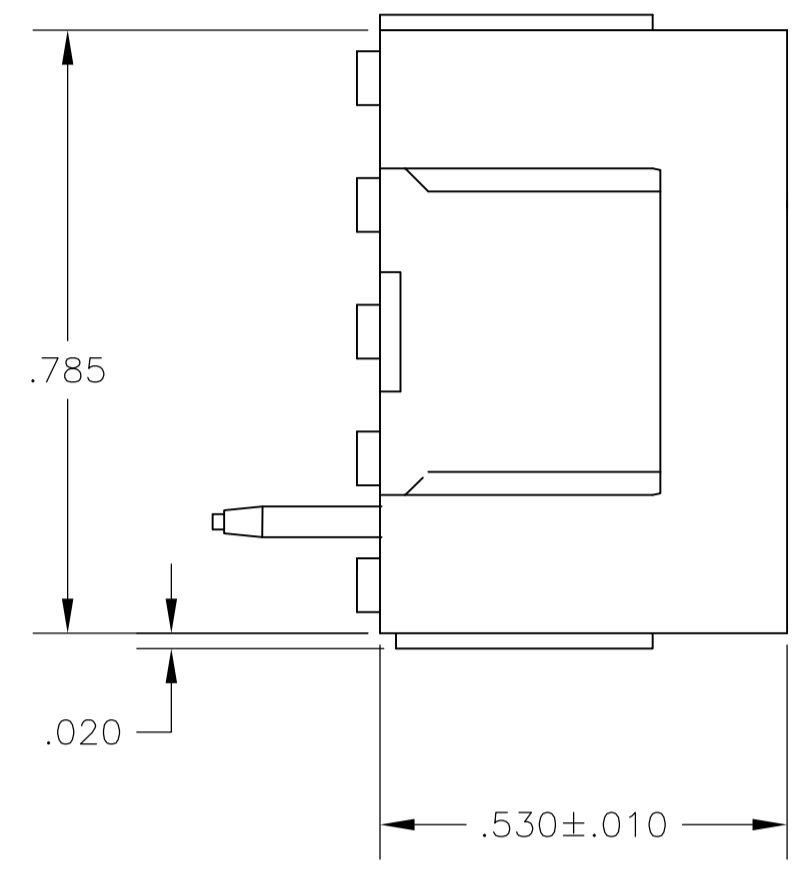
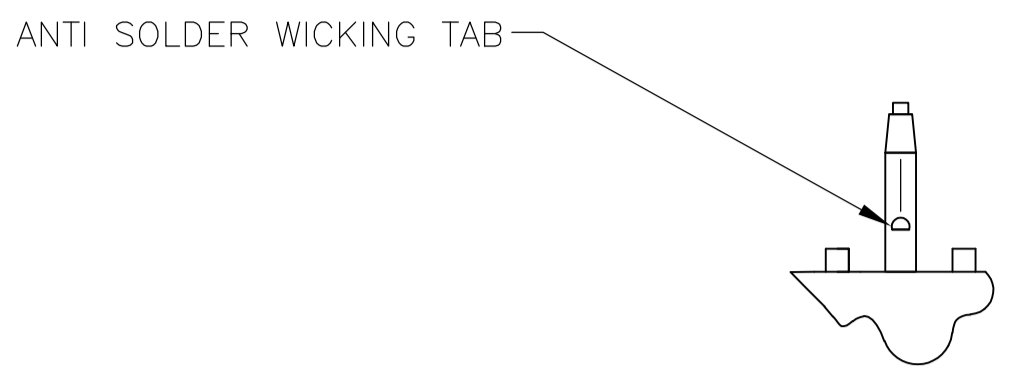
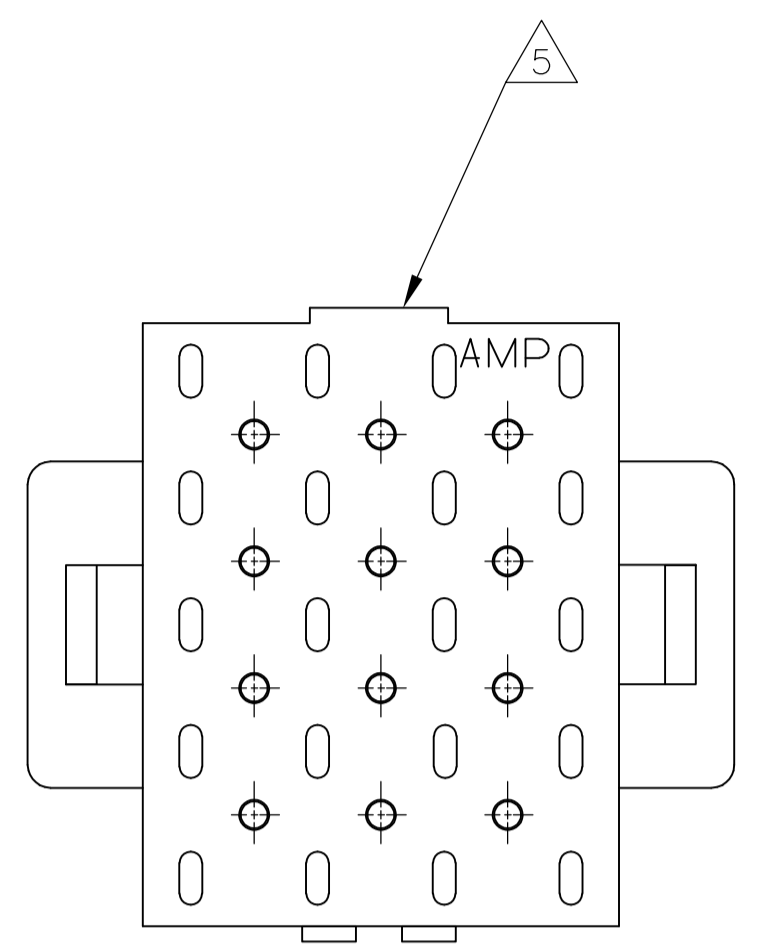
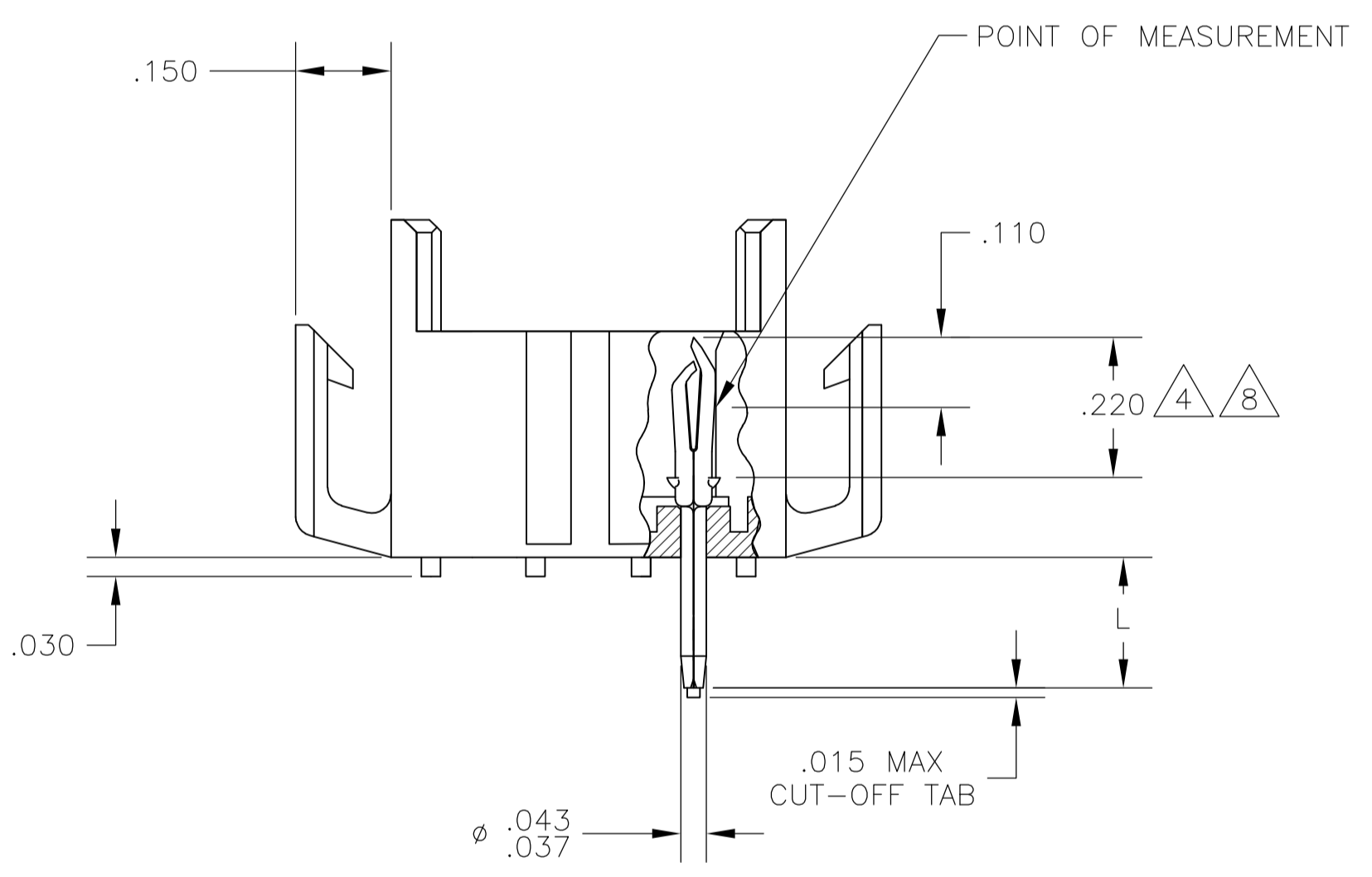
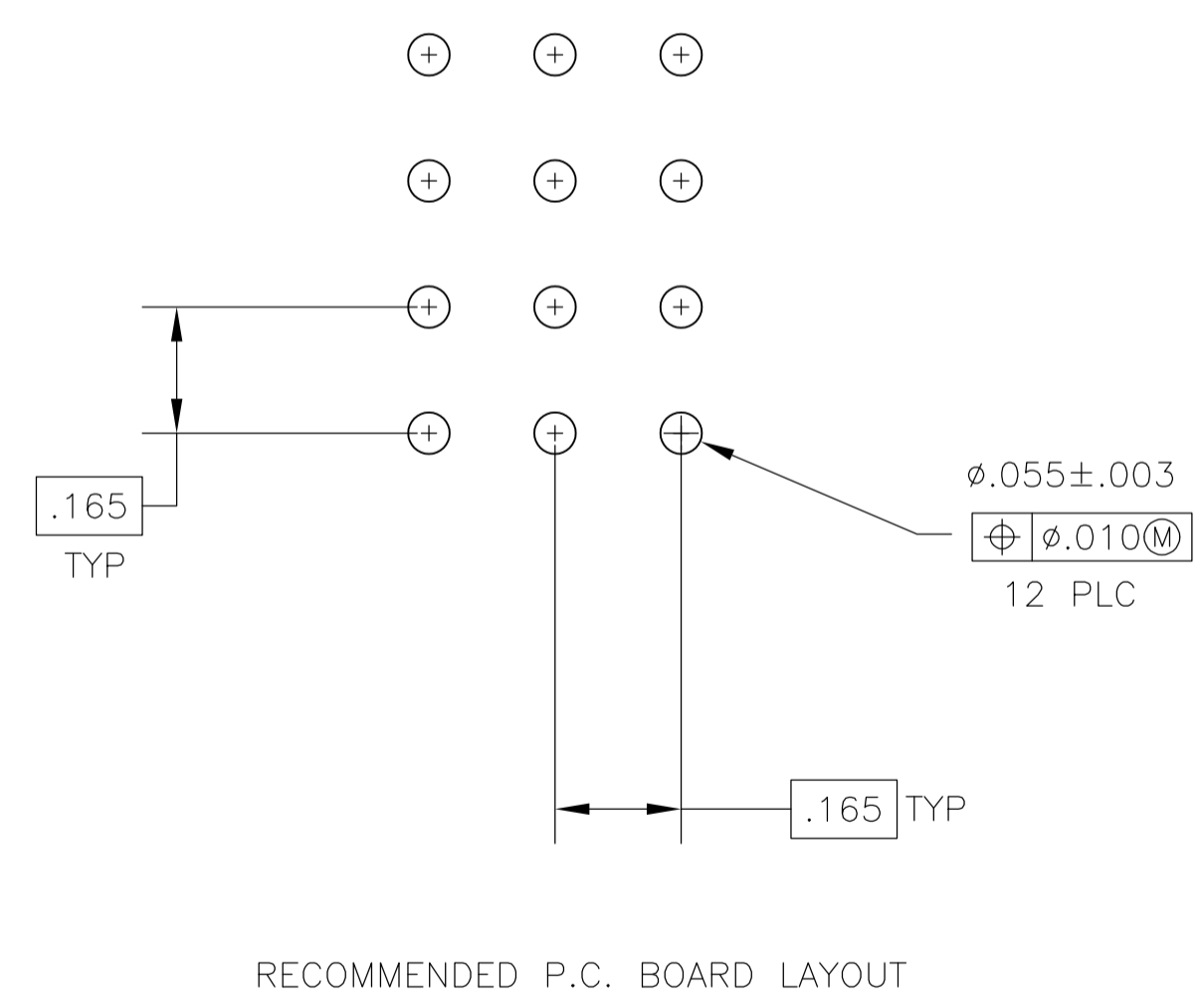


| LOC |   | DIST |                           | REVISIONS |     |      |  |
|-----|---|------|---------------------------|-----------|-----|------|--|
| CM  | 0 | REV  | DESCRIPTION               | DATE      | BY  | APPV |  |
|     |   | S    | EC 063B 0249 05           | 27SEP05   | BSV | RCJ  |  |
|     |   | S1   | REVISED PER ECO-10-000443 | 15JAN10   | KK  | AEG  |  |



- FITS SOCKET HOUSING 640522.
- ASSEMBLY CONFORMS TO AMP SOLDERABILITY SPEC. 109-11-3.
- FOR USE WITH .063 THICK P.C. BOARD.
- CONTACT IS PLATED OVERALL WITH .000050 NICKEL, THEN .000030 GOLD OVER CONTACT LENGTH INDICATED AND .000150 MATTE TIN-LEAD ON SOLDER TAIL END.
- UL AND CSA LOGO LOCATED ON THIS SURFACE.
- FOR USE WITH .120 THICK P.C. BOARD.
- FOR USE WITH .093 THICK P.C. BOARD.
- CONTACT IS PLATED OVERALL WITH .000050 NICKEL, THEN .000030 GOLD OVER CONTACT LENGTH INDICATED AND .000150 MATTE TIN ON SOLDER TAIL END.
- OBSOLETE PARTS: OBSOLETE CIS STREAMLINING PER D.RENAUD/D.SINISI



| REV | DESCRIPTION                                      | DATE | BY            | APPV       | PART NUMBER |
|-----|--|------|---------------|------------|-------------|
| 9   | OBSOLETE   |      |               |            | 2-640502-6  |
|     |  |      |               |            | 2-640502-4  |
|     |  |      |               |            | 2-640502-2  |
|     | OBSOLETE   |      |               |            | 640502-6    |
|     |  |      |               |            | 640502-4    |
|     |  |      |               |            | 640502-3    |
|     |  |      |               |            | 640502-2    |
|     |  |      |               |            | 640502-1    |
|     | "L" $\begin{matrix} +.010 \\ -.020 \end{matrix}$ |      | HOUSING COLOR | PIN FINISH | PART NUMBER |

| IN      | MM      | IN   | MM   | IN   | MM   | IN   | MM    |
|---------|---------|------|------|------|------|------|-------|
| .010    | 0.25    | .055 | 1.40 | .210 | 5.33 | -    | -     |
| .008    | 0.20    | .043 | 1.09 | .180 | 4.57 | -    | -     |
| .005    | 0.13    | .037 | 0.94 | .165 | 4.19 | .785 | 19.94 |
| .003    | 0.08    | .030 | 0.76 | .150 | 3.81 | .620 | 15.75 |
| .000050 | 0.00127 | .020 | 0.51 | .110 | 2.79 | .530 | 13.46 |
| .000030 | 0.00076 | .015 | 0.38 | .063 | 1.60 | .220 | 5.59  |
| IN      | MM      | IN   | MM   | IN   | MM   | IN   | MM    |

CONVERSION TABLE

METRIC

THIS DRAWING IS A CONTROLLED DOCUMENT.

|                    |  |               |               |               |                   |               |                     |
|--------------------|--|---------------|---------------|---------------|-------------------|---------------|---------------------|
| DIMENSIONS: INCHES | TOLERANCES UNLESS OTHERWISE SPECIFIED: | 0 PLC $\pm$ - | 1 PLC $\pm$ - | 2 PLC $\pm$ - | 3 PLC $\pm$ -.005 | 4 PLC $\pm$ - | ANGLES $\pm$ 0° 30' |
|--------------------|--|---------------|---------------|---------------|-------------------|---------------|---------------------|

MATERIAL: HOUSING: FLAME RETARDANT NYLON, UL 94V-0; PIN: .008 PH BRZ. FINISH: SEE FINISH

APPROVED: J. HUFFMAN (28 APR 98), R. SWING (28 APR 98), T. REDDICK (28 APR 98)

NAME: T. REDDICK

APPLICATION SPEC: -

SIZE: A1

WEIGHT: -

CUSTOMER DRAWING

Tyco Electronics Corporation, Harrisburg, PA 17105-3608

NAME: HEADER ASSEMBLY, PIN, 12 POSITION MR.

SCALE: 4:1, SHEET: 1 OF 1, REV: S1

## X-ON Electronics

Largest Supplier of Electrical and Electronic Components

*Click to view similar products for [Power to the Board](#) category:*

*Click to view products by [TE Connectivity](#) manufacturer:*

Other Similar products are found below :

[6450171-4](#) [6450552-7](#) [6600323-8](#) [6643429-1](#) [6646040-2](#) [6651939-1](#) [6766604-1](#) [120959-1](#) [1393557-2](#) [1393532-2](#) [1393532-3](#) [1393532-4](#)  
[1393557-1](#) [1600812-5](#) [1-6450861-2](#) [1744132-7](#) [1761122-1](#) [1766250-1](#) [1892109-1](#) [2-6450860-5](#) [2-6450870-0](#) [1-6450161-4](#) [1-6450850-6](#) [1-6450869-6](#) [1645526-2](#) [1-6600130-0](#) [2005243-2](#) [377-0020-11130](#) [TE34-12-16P-F0](#) [5-6450830-6](#) [5646956-4](#) [377-0080-11131A](#) [4-6450830-9](#)  
[4-6600333-3](#) [10125416-4050LF](#) [6600320-3](#) [3-6450860-5](#) [1888123-2](#) [6450166-1](#) [6643978-1](#) [6766605-1](#) [701-15-02109](#) [N11444](#) [6651938-1](#)  
[6450810-7](#) [46437-1112](#) [1-1589677-8](#) [5646956-5](#) [6450813-2](#) [6450129-4](#)