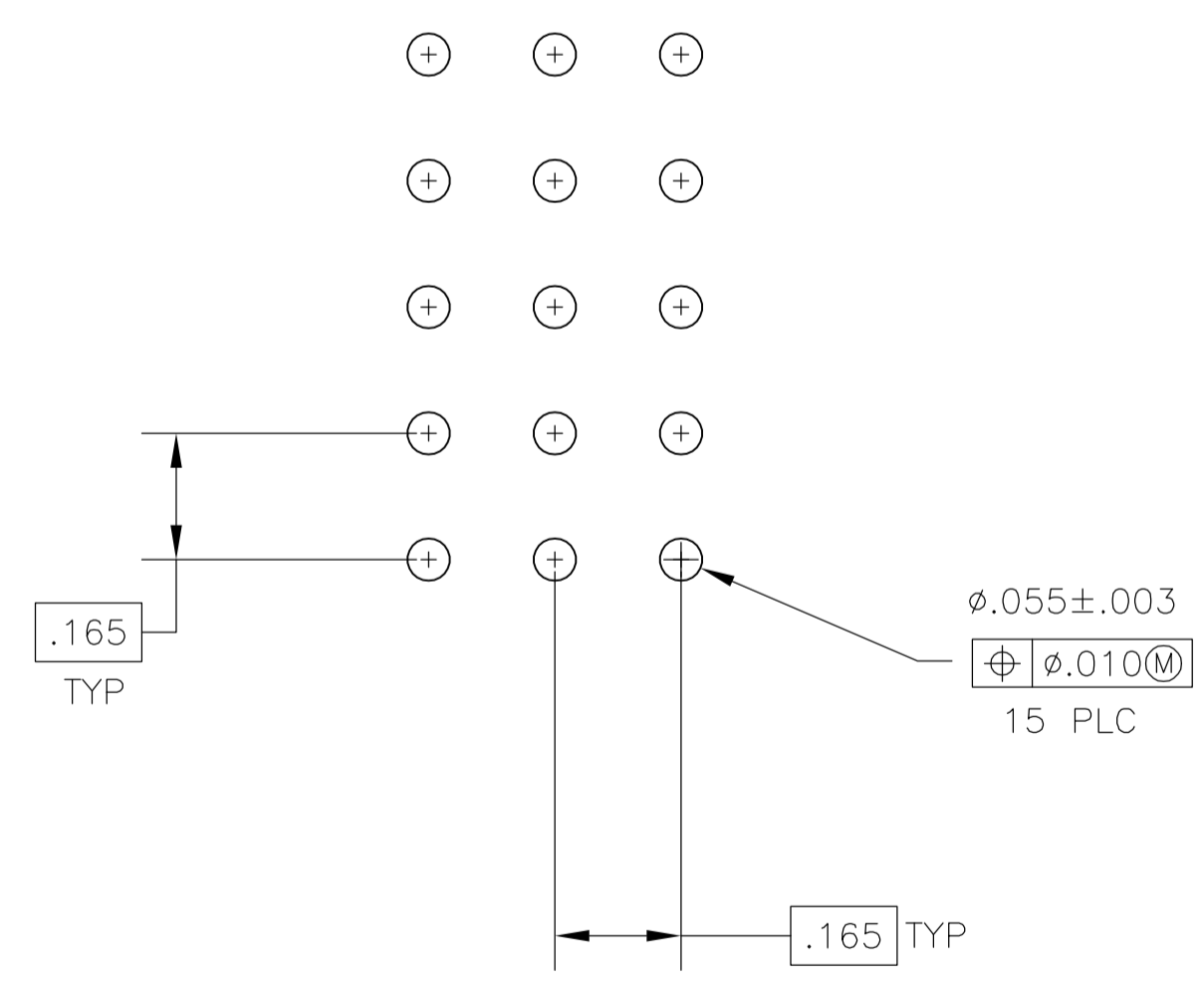
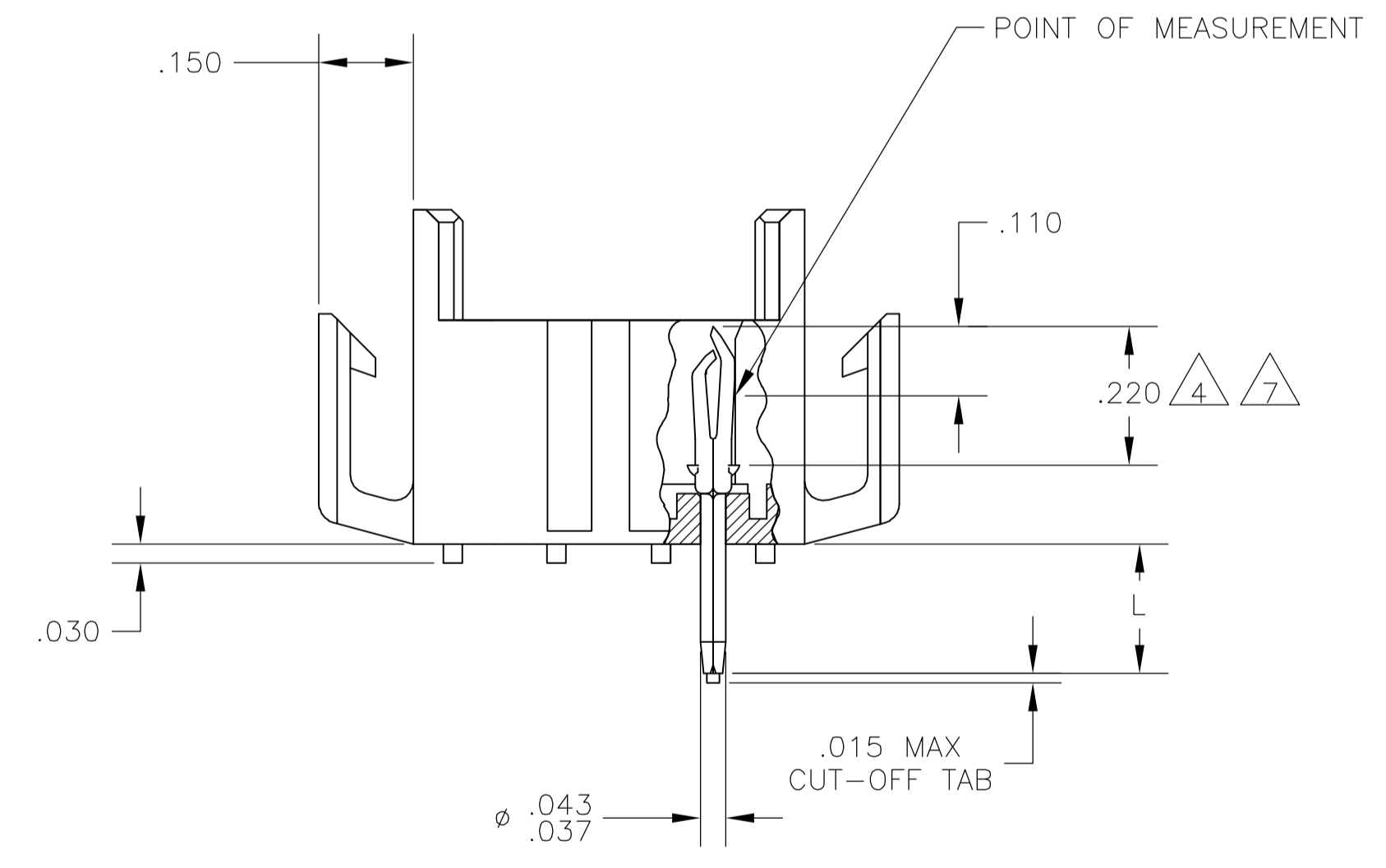


1. FITS SOCKET HOUSING 640523.
2. ASSEMBLY CONFORMS TO AMP SOLDERABILITY SPEC. 109-11-3.
3. FOR USE WITH .063 THICK P.C. BOARD.
4. CONTACT IS PLATED OVERALL WITH .000050 NICKEL, THEN .000030 GOLD OVER CONTACT LENGTH INDICATED AND .000150 MATTE TIN-LEAD ON SOLDER TAIL END.
5. UL AND CSA LOGO LOCATED ON THIS SURFACE.
6. FOR USE WITH .120 THICK P.C. BOARD.
7. CONTACT IS PLATED OVERALL WITH .000050 NICKEL, THEN .000030 GOLD OVER CONTACT LENGTH INDICATED AND .000150 MATTE TIN ON SOLDER TAIL END.



RECOMMENDED P.C. BOARD LAYOUT



|         |         |      |      |      |      |      |       |
|---------|---------|------|------|------|------|------|-------|
| .010    | 0.25    | .055 | 1.40 | .220 | 5.59 | -    | -     |
| .008    | 0.20    | .043 | 1.09 | .210 | 5.33 | -    | -     |
| .005    | 0.13    | .037 | 0.94 | .165 | 4.19 | -    | -     |
| .003    | 0.08    | .030 | 0.76 | .150 | 3.81 | .950 | 24.13 |
| .000050 | 0.00127 | .020 | 0.51 | .110 | 2.79 | .620 | 15.75 |
| .000030 | 0.00076 | .015 | 0.38 | .063 | 1.60 | .530 | 13.46 |
| IN      | MM      | IN   | MM   | IN   | MM   | IN   | MM    |

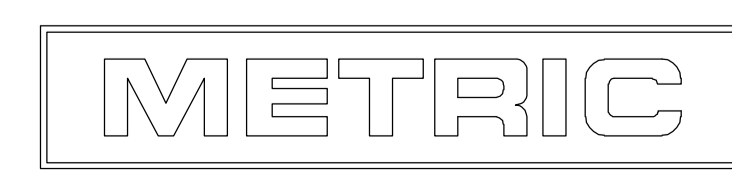
CONVERSION TABLE

|                    |   |               |            |   |             |
|--------------------|---|---------------|------------|---|-------------|
| .210               | 6 | BRICK RED     | GOLD       | 7 | 2-640503-4  |
| .150               | 3 | BRICK RED     | GOLD       | 7 | 2-640503-2  |
| .210               | 6 | BRICK RED     | GOLD       | 4 | 640503-4    |
| .210               | 6 | BRICK RED     | PRE-TIN    |   | 640503-3    |
| .150               | 3 | BRICK RED     | GOLD       | 4 | 640503-2    |
| .150               | 3 | BRICK RED     | PRE-TIN    |   | 640503-1    |
| "L" +.010<br>-.020 |   | HOUSING COLOR | PIN FINISH |   | PART NUMBER |

THIS DRAWING IS A CONTROLLED DOCUMENT.

|   |  |                             |                                |                              |                  |                    |                  |   |
|---|--|-----------------------------|--------------------------------|------------------------------|------------------|--------------------|------------------|---|
| DIMENSIONS: INCHES  | TOLERANCES UNLESS OTHERWISE SPECIFIED: | DRAWN: J. HUFFMAN 28 APR 98 | DESIGNED: T. REDDICK 28 APR 98 | APPROVED: R. SWING 28 APR 98 | NAME: T. REDDICK | DATE: 28 APR 98    | TYCO ELECTRONICS | Tyco Electronics Corporation<br>Harrisburg, PA 17105-3608 |
| 0 PLC ± -   | 1 PLC ± -                              | 2 PLC ± -                   | 3 PLC ± .005                   | 4 PLC ± -                    | ANGLES ± 0° 30'  |                    |                  |   |
| MATERIAL: HOUSING FLAME RETARDANT (UL 94V-0) PIN .008 PH BRZ. | FINISH: SEE TABLE                      | WEIGHT: -                   | SIZE: A1                       | SCALE: 4:1                   | CAGE CODE: 00779 | DRAWING NO: 640503 | RESTRICTED TO: - |   |

CUSTOMER DRAWING SHEET 1 OF 1 REV R



## X-ON Electronics

Largest Supplier of Electrical and Electronic Components

*Click to view similar products for [Headers & Wire Housings](#) category:*

*Click to view products by [TE Connectivity](#) manufacturer:*

Other Similar products are found below :

[892-18-020-10-001101](#) [58102-G61-06LF](#) [582553-1](#) [0009485154](#) [009176003701906](#) [0050291907](#) [LY20-4P-DT1-P1E-BR](#) [02.125.8002.8](#)  
[609-3404](#) [61062-3](#) [61082-181009](#) [622-3653LF](#) [63453-116](#) [636-1030](#) [636-1427](#) [636-3427](#) [636-4007](#) [641938-9](#) [641991-4](#) [644827-2](#) [65817-010LF](#) [65817-015LF](#) [65863-015LF](#) [66207-023LF](#) [67095-007LF](#) [67601157](#) [68645-018](#) [68648-049](#) [70.362.1628.0](#) [70-4210](#) [70-4226B](#) [70-4853B](#) [707-5020](#) [707-5028](#) [71.350.2428.0](#) [71918-208LF](#) [71961-016LF](#) [733-134](#) [733-162](#) [754199-000](#) [760-3052](#) [787-8014-00](#) [79531-3000](#)  
[FCN-360C032-B](#) [FCN-367T-T012/H](#) [FCN-723D010/2](#) [80.063.4001.1](#) [800-90-001-10-001000](#) [800-90-010-10-002000](#) [801-43-002-10-013000](#)