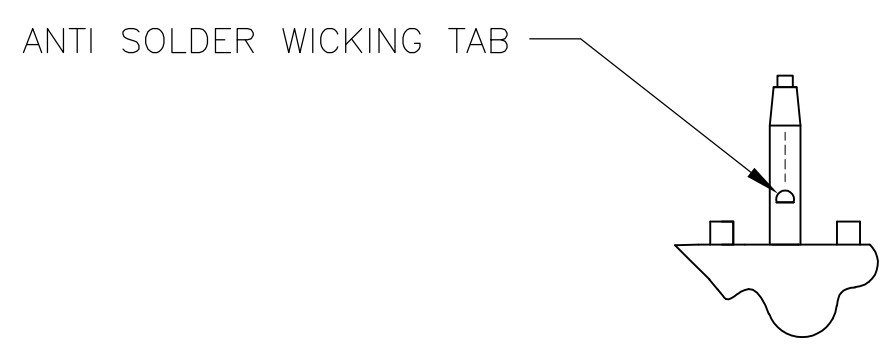
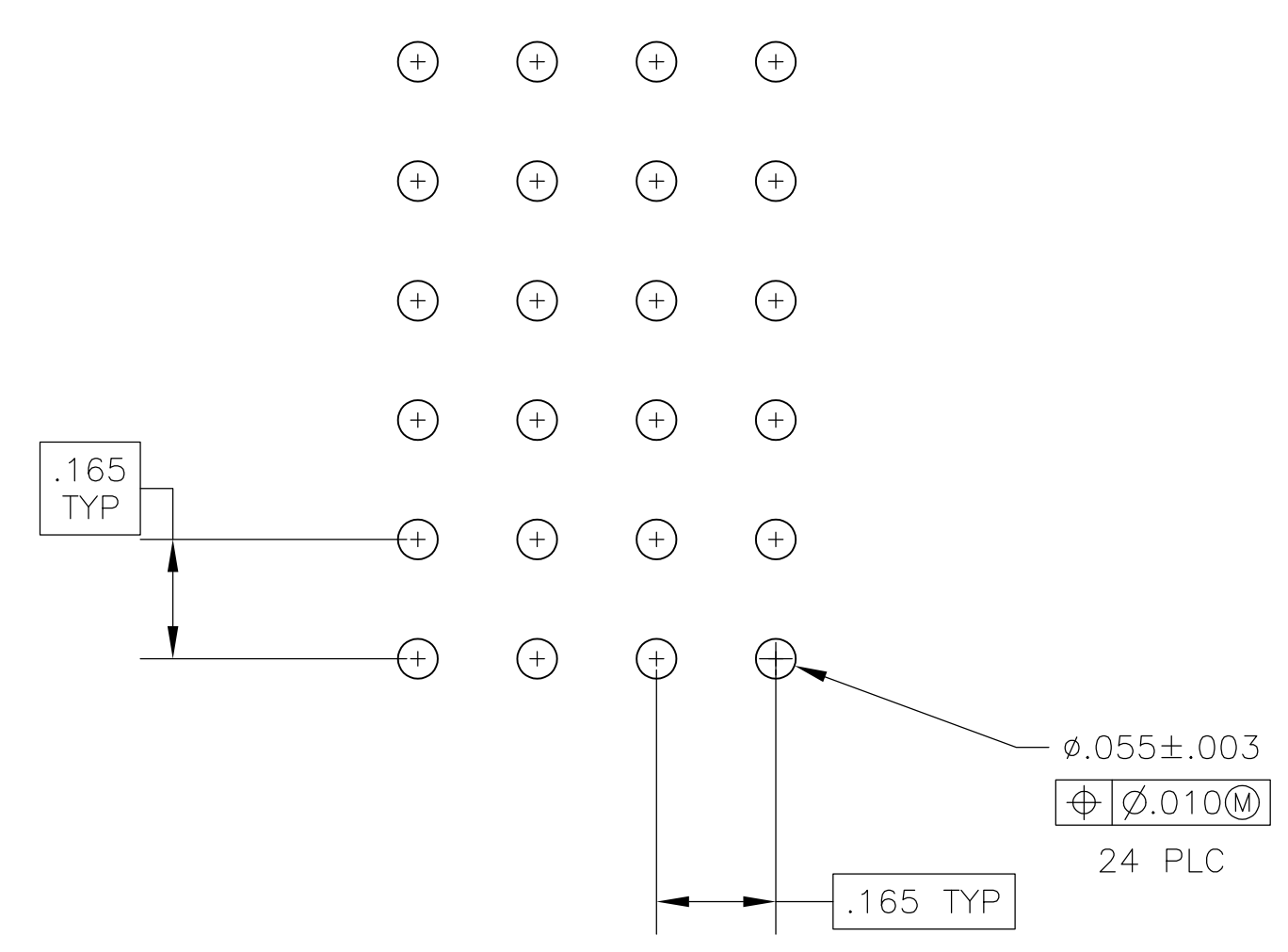
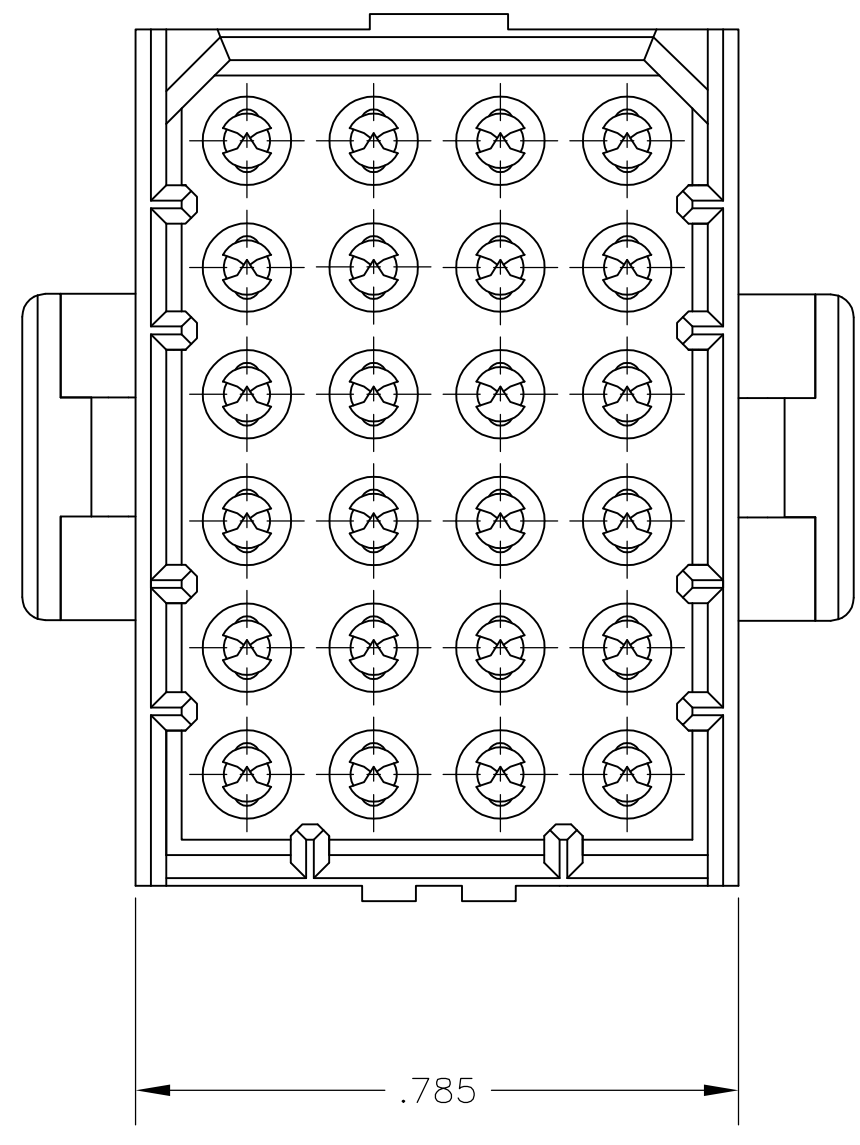
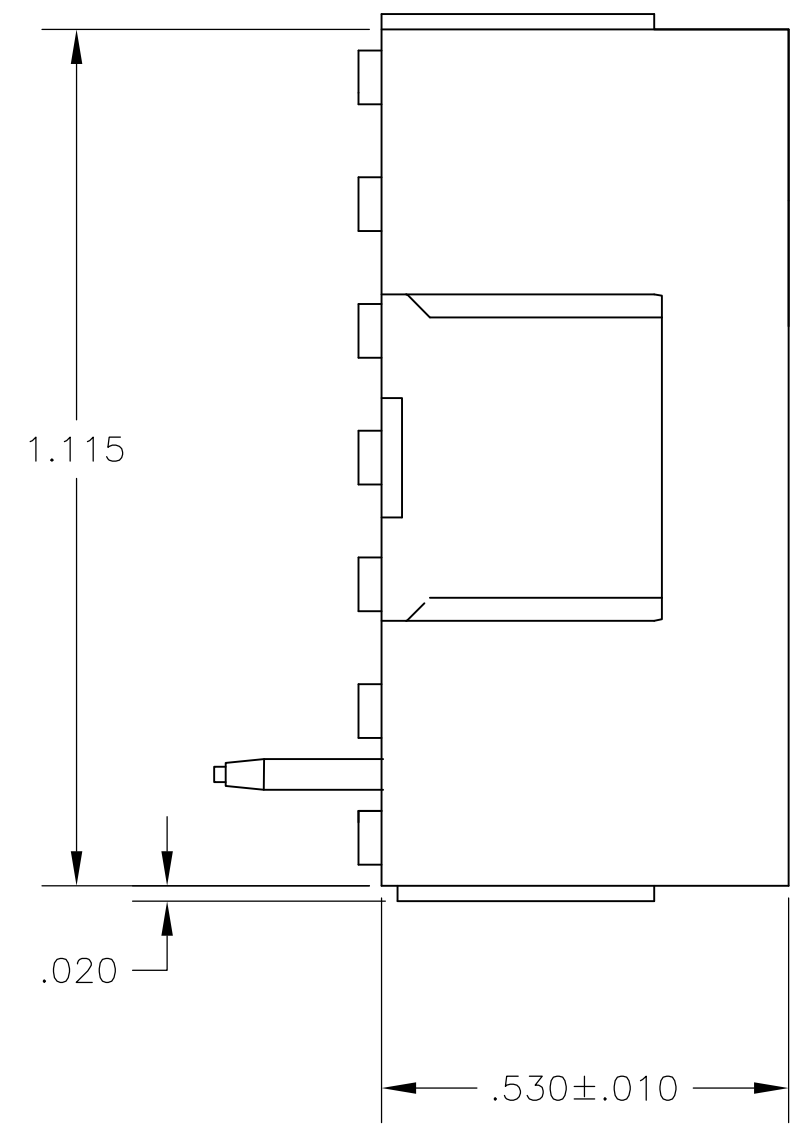
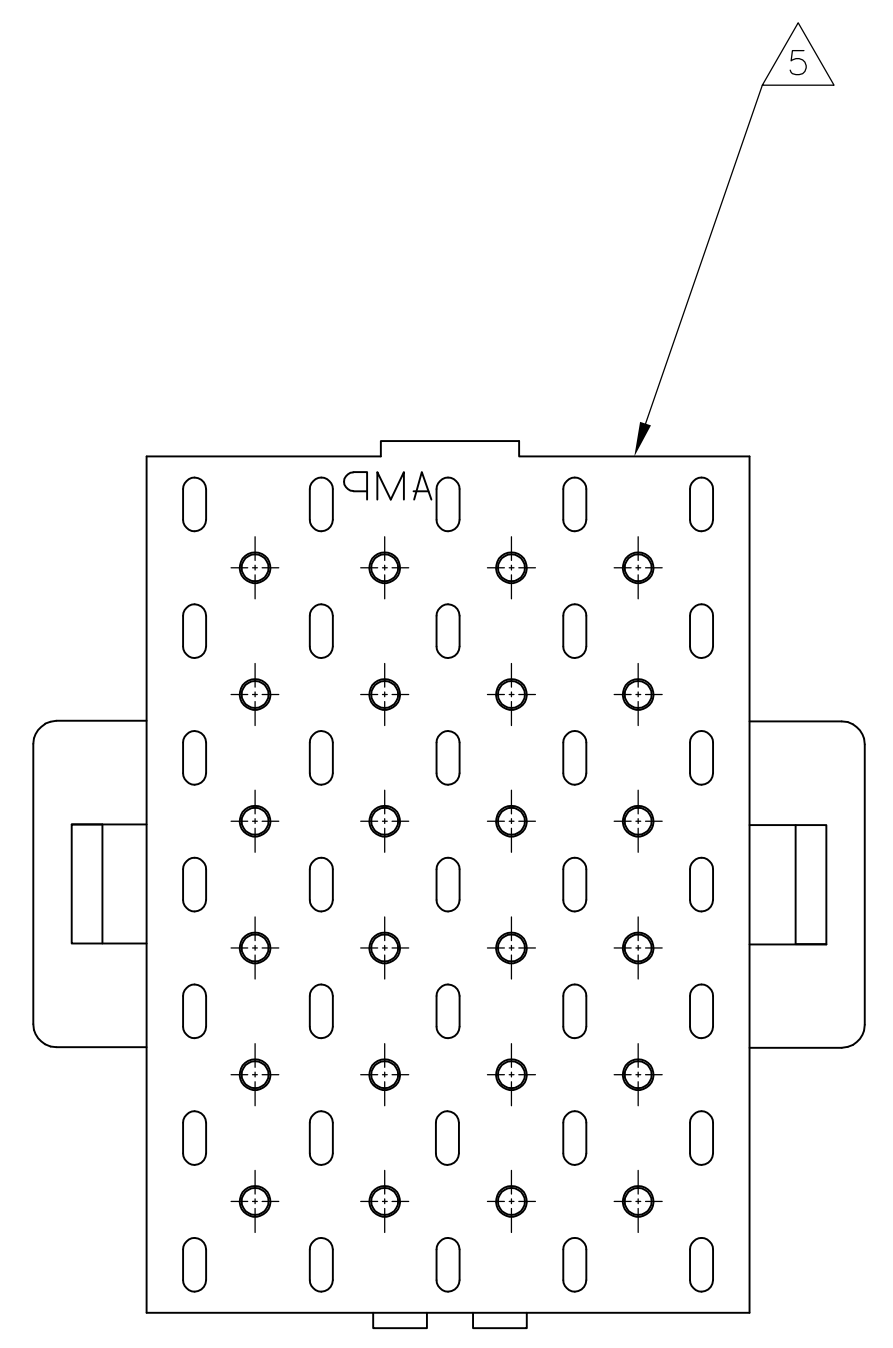


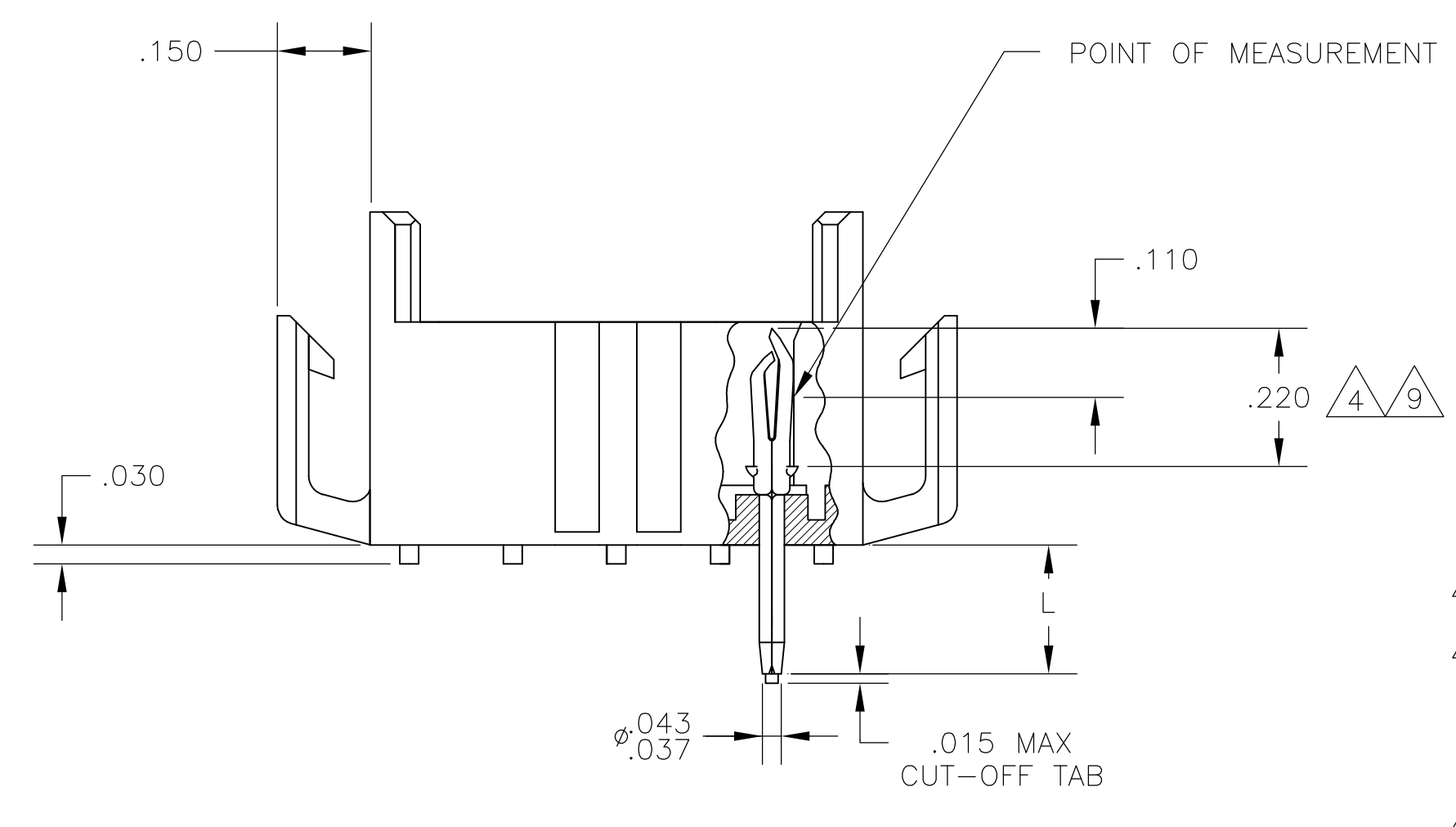
REVISIONS					
P	LTR	DESCRIPTION	DATE	DMN	APVD
U		REVISED PER ECO-16-004940	03AUG2016	NK	MZ



- 1 FITS SOCKET HOUSING 640525.
- 2 ASSEMBLY CONFORMS TO AMP SOLDERABILITY SPEC. 109-11-3.
- 3 FOR USE WITH .063 THICK P.C. BOARD.
- 4 CONTACT IS PLATED OVERALL WITH .000050 NICKEL, THEN .000030 GLD OVER CONTACT LENGTH INDICATED AND .000150 MATTE TIN-LEAD ON SOLDER TAIL END.
- 5 UL AND CSA LOGO LOCATED ON THIS SURFACE.
- 6 FOR USE WITH .120 THICK P.C. BOARD.
- 7 FOR USE WITH .093 THICK P.C. BOARD.
- 8 TRAY PACKAGED VERSION OF 640505-1. PACKAGED 54 PCS. PER TRAY AND 7 TRAYS PER BOX.
- 9 CONTACT IS PLATED OVERALL WITH .000050 NICKEL, THEN .000030 GLD OVER CONTACT LENGTH INDICATED AND .000150 MATTE TIN ON SOLDER TAIL END.
- 10 OBSOLETE PARTS: OBSOLETE CIS STREAMLINING PER D.RENAUD/D.SINISI
- 11 PARTITION PACKED AND BOXED, 270PCS PER CARTON.



RECOMMENDED P.C. BOARD LAYOUT



REV	DESCRIPTION	PLC	HOUSING COLOR	PIN FINISH	PART NUMBER
11	OBSOLETE	.210	BRICK RED	GOLD	1-640505-4
10	OBSOLETE	.180	BRICK RED	GOLD	2-640505-6
		.210	BRICK RED	GOLD	2-640505-4
		.150	BRICK RED	GOLD	2-640505-2
8	OBSOLETE	.150	BRICK RED	PRE-TIN	1-640505-0
10	OBSOLETE	.180	BRICK RED	GOLD	640505-6
		.210	BRICK RED	GOLD	640505-4
		.210	BRICK RED	PRE-TIN	640505-3
		.150	BRICK RED	GOLD	640505-2
		.150	BRICK RED	PRE-TIN	640505-1
		"L" +.010 -.020	HOUSING COLOR	PIN FINISH	PART NUMBER

IN	MM	IN	MM	IN	MM	IN	MM
.010	0.25	.055	1.40	.210	5.33	-	-
.008	0.20	.043	1.09	.180	4.57	-	-
.005	0.13	.037	0.94	.165	4.19	1.115	28.32
.003	0.08	.030	0.76	.150	3.81	.785	19.94
.000050	0.00127	.020	0.51	.110	2.79	.530	13.46
.000030	0.00076	.015	0.38	.063	1.60	.220	5.59

CONVERSION TABLE

THIS DRAWING IS A CONTROLLED DOCUMENT.

DIMENSIONS: INCHES	TOLERANCES UNLESS OTHERWISE SPECIFIED:	DIN J. HUFFMAN 28APR98	TE Connectivity
		CHK R. SWING 28APR98	
		APVD T. REDDICK 28APR98	NAME: HEADER ASSEMBLY, PIN, 24 POSITION, MR.
			PRODUCT SPEC
			APPLICATION SPEC
MATERIAL: SEE TABLE	FINISH: SEE FINISH	WEIGHT: A1	SIZE: 00779
			DRAWING NO: 640505
			RESTRICTED TO: -
			CUSTOMER DRAWING
			SCALE: 4:1 SHEET 1 OF 1 REV U

X-ON Electronics

Largest Supplier of Electrical and Electronic Components

Click to view similar products for [Power to the Board](#) category:

Click to view products by [TE Connectivity](#) manufacturer:

Other Similar products are found below :

[6450171-4](#) [6450552-7](#) [6600323-8](#) [6643429-1](#) [6646040-2](#) [6651939-1](#) [6766604-1](#) [120959-1](#) [1393557-2](#) [1393532-2](#) [1393532-3](#) [1393532-4](#)
[1393557-1](#) [1600812-5](#) [1-6450861-2](#) [1744132-7](#) [1761122-1](#) [1766250-1](#) [1892109-1](#) [2-6450860-5](#) [2-6450870-0](#) [1-6450161-4](#) [1-6450850-6](#) [1-6450869-6](#) [1645526-2](#) [1-6600130-0](#) [2005243-2](#) [377-0020-11130](#) [TE34-12-16P-F0](#) [5-6450830-6](#) [5646956-4](#) [377-0080-11131A](#) [4-6450830-9](#)
[4-6600333-3](#) [10125416-4050LF](#) [6600320-3](#) [3-6450860-5](#) [1888123-2](#) [6450166-1](#) [6643978-1](#) [6766605-1](#) [701-15-02109](#) [N11444](#) [6651938-1](#)
[6450810-7](#) [46437-1112](#) [1-1589677-8](#) [5646956-5](#) [6450813-2](#) [6450129-4](#)