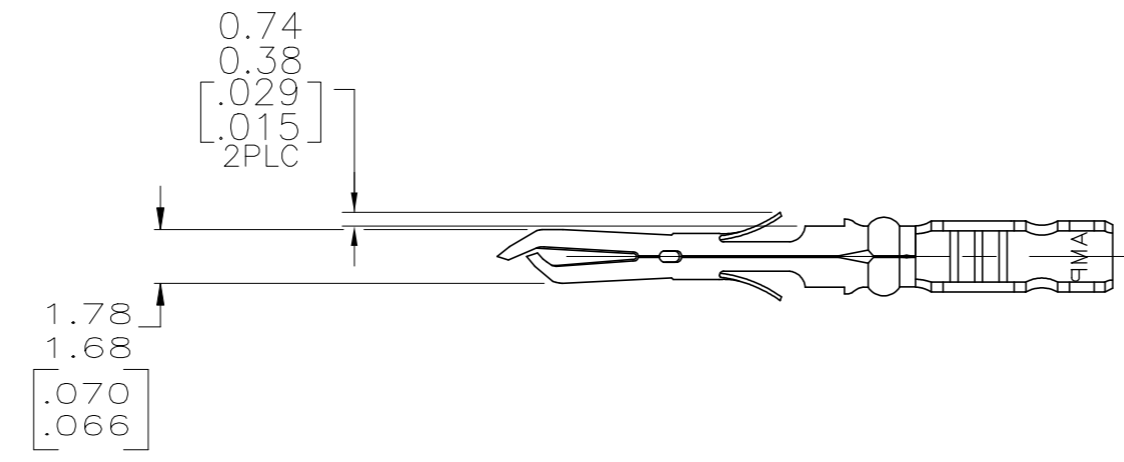
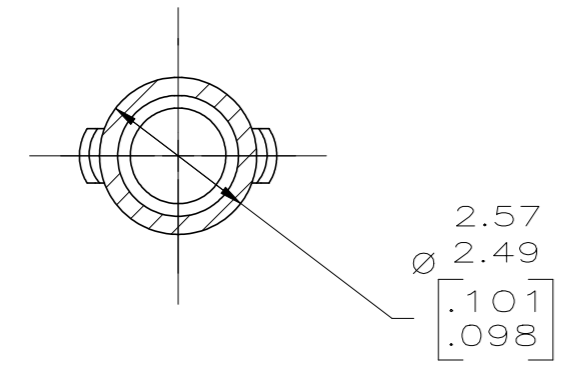
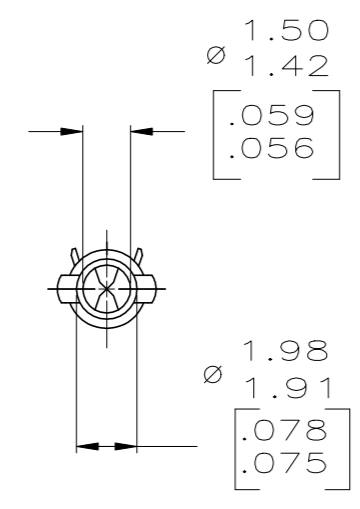
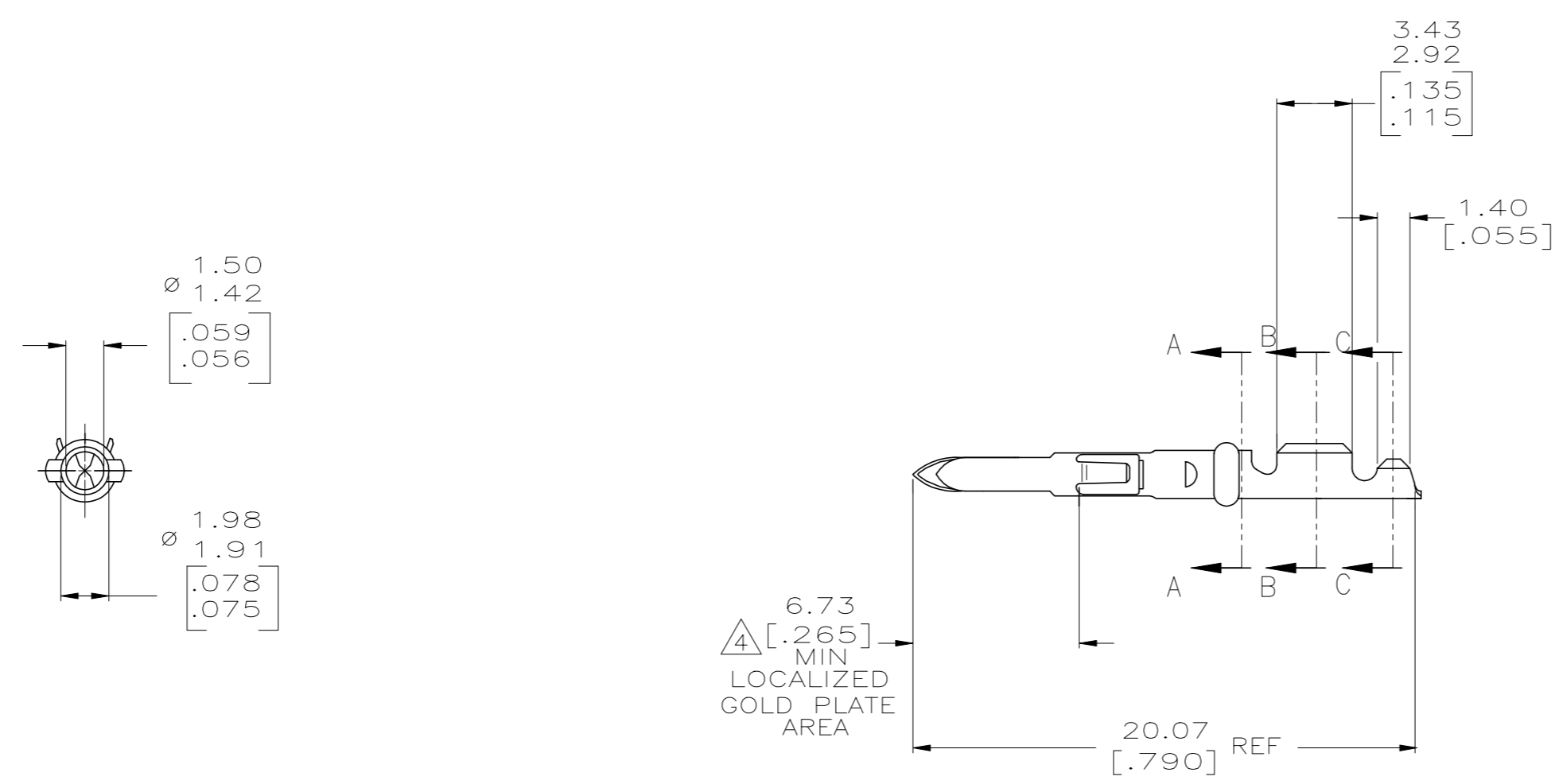


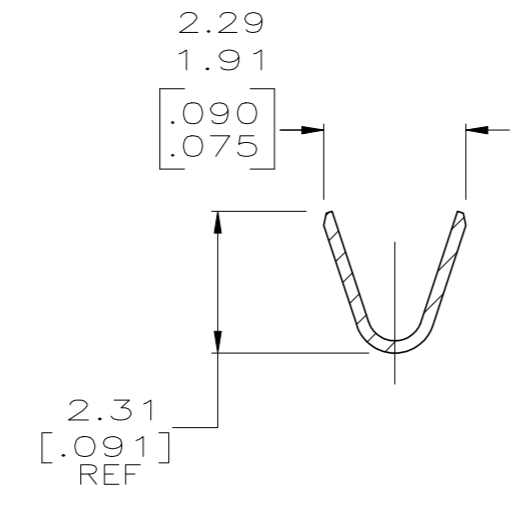
| REVISIONS | | | | |
|-----------|---------------------------|--------------|-----------|-------|
| P | LTR | DESCRIPTION | DATE | APVD |
| C | REV & REDWN PER EC | 0730-0059-95 | 3-21-95 | KS |
| D | REVISED PER ECO-19-009931 | | 04JUL2019 | RS MZ |



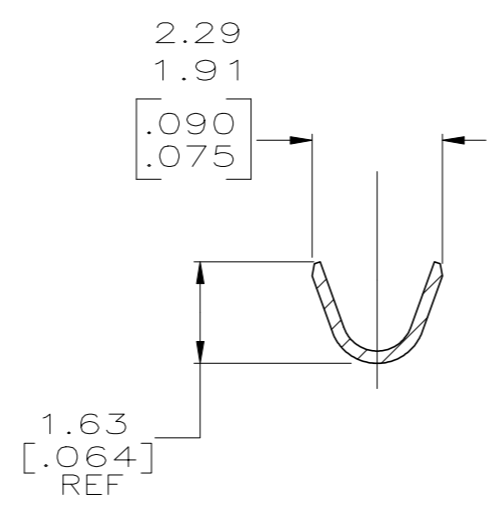
- 1 WIRE RANGE: 0.13-0.2mm² (26-24 AWG).
- 2 INSULATION RANGE: 0.64-1.27 [.025-.050] MAX. DIA.
- 3 DIMENSIONS IN BRACKETS ARE IN INCHES.
- △ TIP PLATE WITH 0.00076-0.00091 [.000030-.000036] MIN GOLD IN THE LOCALIZED GOLD PLATE AREA OVER 0.00127 [.000050] MIN NICKEL UNDERPLATE.



SECTION A-A
SCALE 10:1



SECTION B-B
SCALE 10:1



SECTION C-C
SCALE 10:1

METRIC

| | | |
|--------------|----------------------|----------|
| △ GOLD PLATE | 0.20 [.008] PHOS BRZ | 640579-2 |
| PRE-TIN | 0.20 [.008] PHOS BRZ | 640579-1 |
| FINISH | MATERIAL | PART NO |

| | | | | | |
|--|--|----------------------|---------------|-----------------|----------------------|
| THIS DRAWING IS A CONTROLLED DOCUMENT. | | DIN K SALMON 3-21-95 | | TE Connectivity | |
| DIMENSIONS: mm [INCHES] | | OK R SWING 3-21-95 | | NAME | PIN, LOOSE PIECE, MR |
| TOLERANCES UNLESS OTHERWISE SPECIFIED: | | APVD W LONG 3-21-95 | | PRODUCT SPEC | |
| 0 PLC ± - | | APPLICATION SPEC | | SIZE | A1 |
| 1 PLC ± - | | WEIGHT | CAGE CODE | 00779 | |
| 2 PLC ± 0.13 [.005] | | CUSTOMER DRAWING | DRAWING NO | 640579 | |
| 3 PLC ± - | | SCALE | RESTRICTED TO | | |
| 4 PLC ± - | | SCALE 5:1 | | | |
| ANGLES ± - | | SHEET 1 OF 1 | | | |

X-ON Electronics

Largest Supplier of Electrical and Electronic Components

Click to view similar products for [Headers & Wire Housings](#) category:

Click to view products by [TE Connectivity](#) manufacturer:

Other Similar products are found below :

[892-18-020-10-001101](#) [58102-G61-06LF](#) [582553-1](#) [0009485154](#) [009176003701906](#) [0050291907](#) [LY20-4P-DT1-P1E-BR](#) [02.125.8002.8](#)
[609-3404](#) [61062-3](#) [61082-181009](#) [622-3653LF](#) [63453-116](#) [636-1030](#) [636-1427](#) [636-3427](#) [636-4007](#) [641938-9](#) [641991-4](#) [644827-2](#) [65817-010LF](#) [65817-015LF](#) [65863-015LF](#) [66207-023LF](#) [67095-007LF](#) [67601157](#) [68645-018](#) [68648-049](#) [70.362.1628.0](#) [70-4210](#) [70-4226B](#) [70-4853B](#) [707-5020](#) [707-5028](#) [71.350.2428.0](#) [71918-208LF](#) [71961-016LF](#) [733-134](#) [733-162](#) [754199-000](#) [760-3052](#) [787-8014-00](#) [79531-3000](#)
[FCN-360C032-B](#) [FCN-367T-T012/H](#) [FCN-723D010/2](#) [80.063.4001.1](#) [800-90-001-10-001000](#) [800-90-010-10-002000](#) [801-43-002-10-013000](#)