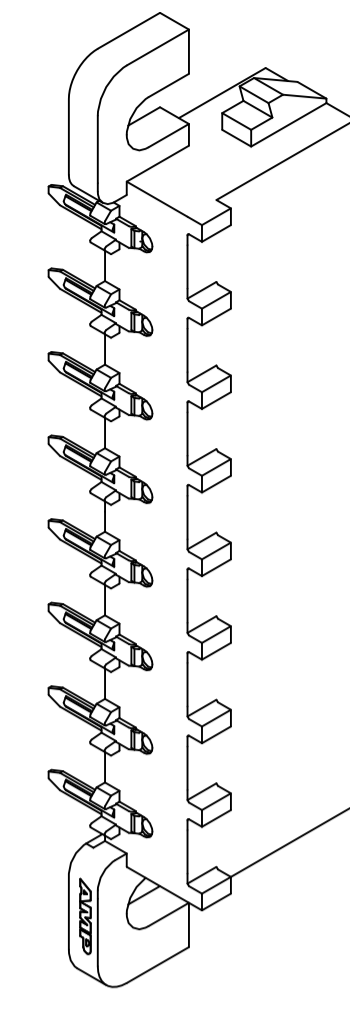
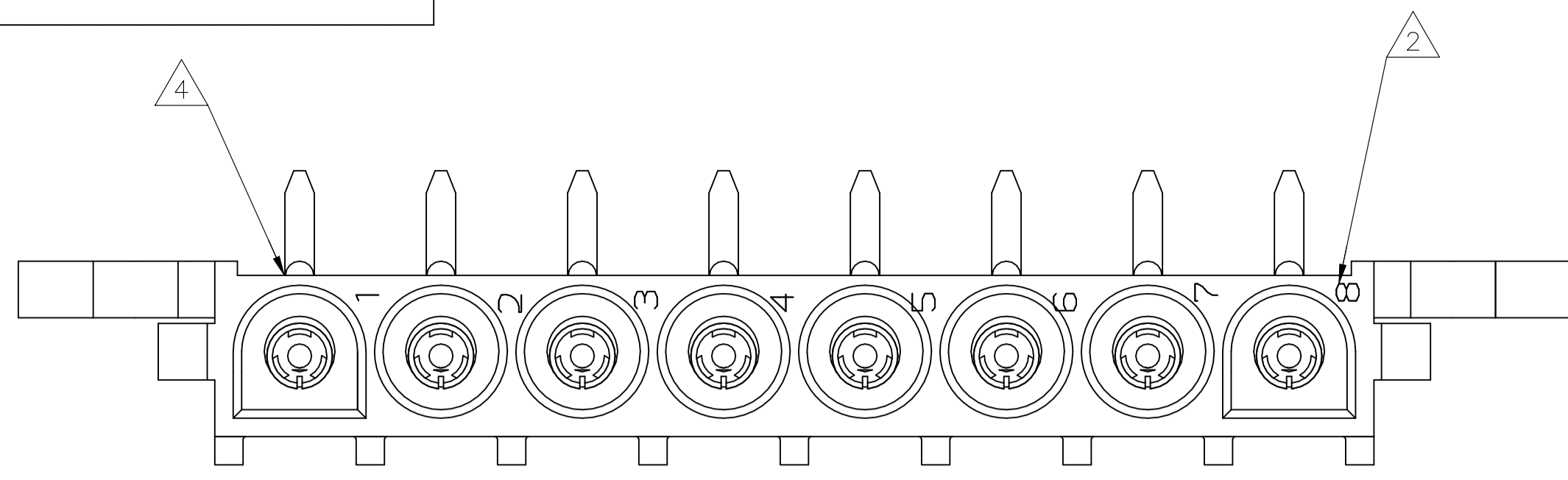
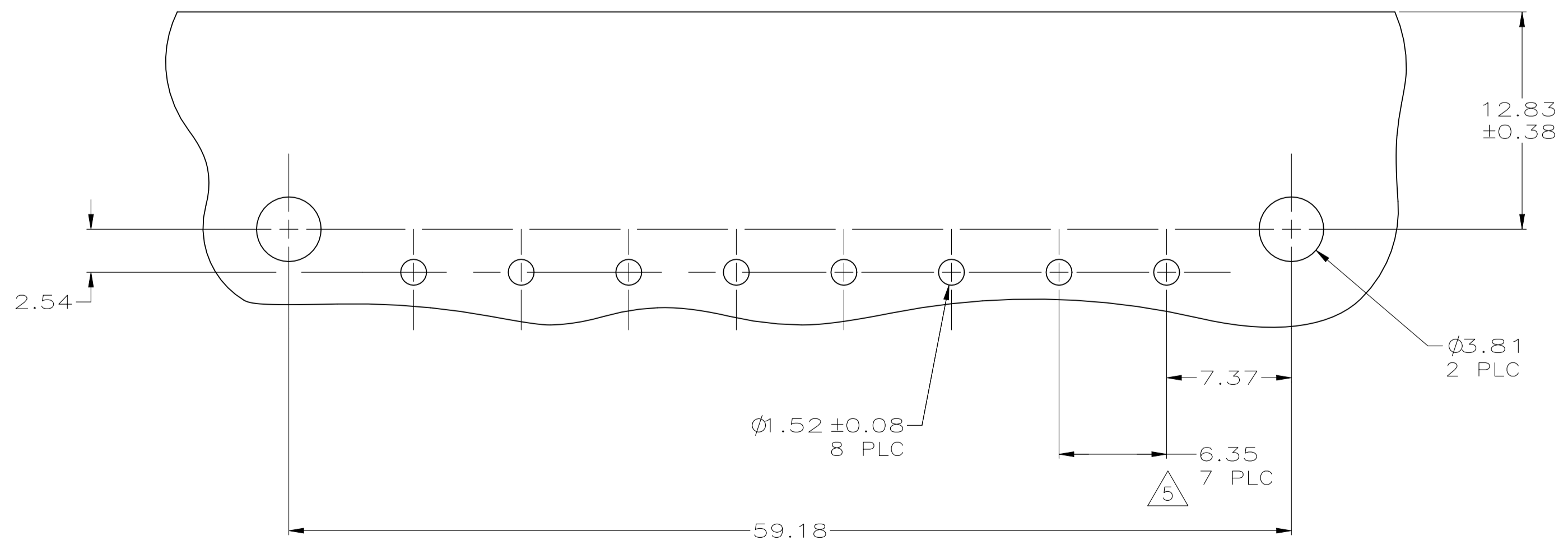
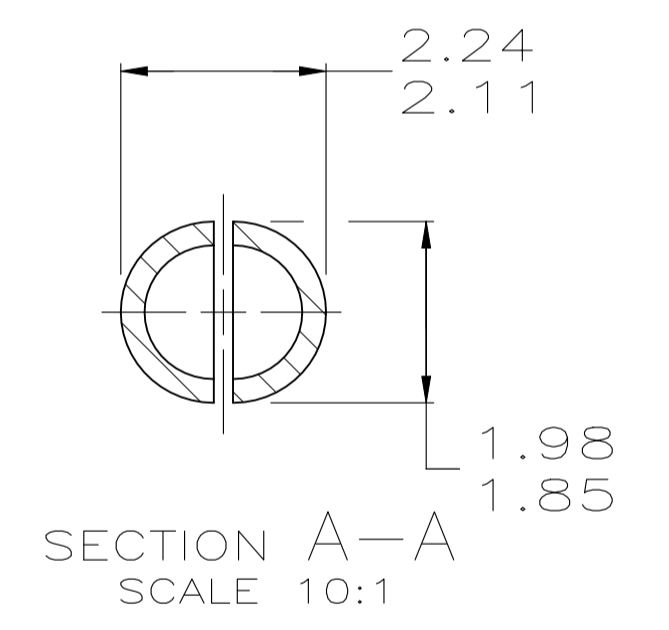
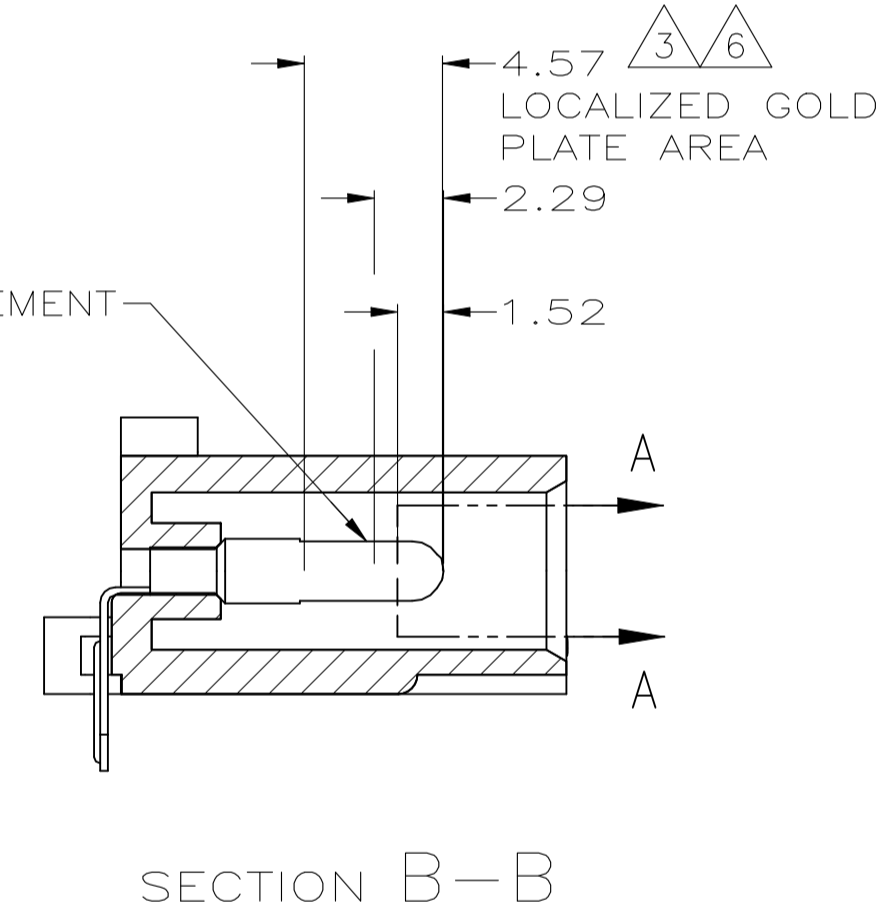
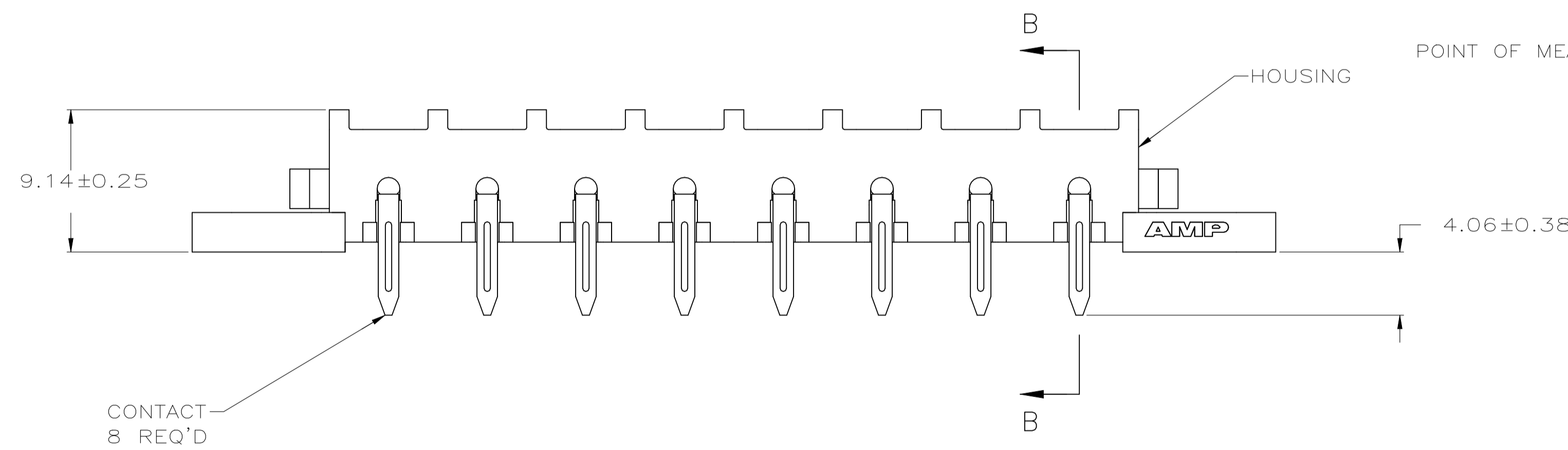
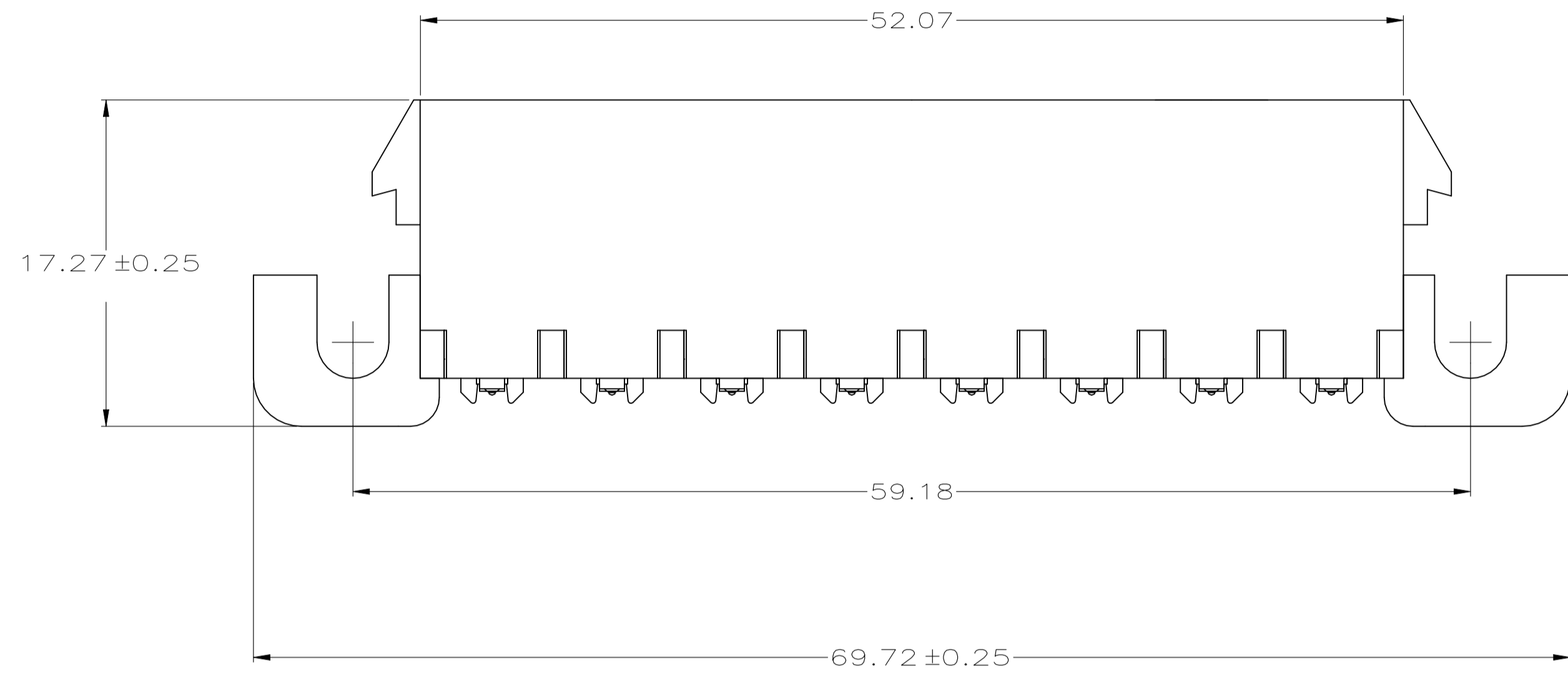


LOC		DIST		REVISIONS			
CM	00	REV	DATE	BY	APP'D	DATE	BY
J3	REVISED PER ECR-21-112682		08SEP2021	JP	VS		



3-DIMENSIONAL MODEL NTS

- 1 PARTS COMPLY WITH AMP SOLDERABILITY SPECIFICATION 109-11-5.
- 2 CIRCUIT IDENTIFICATION CHARACTERS ARE ADJACENT TO THE INDICATED CAVITIES, BUT LOCATION AND ORIENTATION MAY DIFFER FROM PRINT.
- 3 CONTACT IS PLATED OVERALL WITH 0.00127 MIN NICKEL, THEN 0.00076 GOLD OVER CONTACT LENGTH INDICATED AND MATTE TIN LEAD FINISH ON SOLDER TAIL END.
- 4 OPTIONAL CONSTRUCTION MAY DELETE THIS RIB.
- 5 TOLERANCE NON-CUMLATIVE
- 6 CONTACT IS PLATED OVERALL WITH 0.00127 MIN NICKEL, THEN 0.00076 GOLD OVER CONTACT LENGTH INDICATED AND MATTE TIN FINISH ON SOLDER TAIL END.
- 7 SUPERSEDED BY 640584-3
- 8 DIMENSIONS SHOWN REPRESENT PRODUCT IN DRY CONDITION. ADDITIONAL 2% GROWTH DUE TO END USE LOCATION MOISTURE ABSORPTION MAY OCCUR AND SHOULD BE ACCOUNTED FOR.



RECOMMENDED MOUNTING HOLE PATTERN FOR 1.57 THICK P.C. BOARD

MM	IN	MM	IN
2.29	.090	-	-
2.24	.088	69.72	2.745
2.11	.083	59.18	2.330
1.98	.078	52.07	2.050
1.85	.073	17.27	.680
1.57	.062	12.83	.505
1.52	.060	9.14	.360
0.38	.015	7.37	.290
0.25	.010	6.35	.250
0.13	.005	4.57	.180
0.08	.003	4.06	.160
0.00127	.000050	3.81	.150
0.00076	.000030	2.54	.100
MM	IN	MM	IN

THIS DRAWING IS A CONTROLLED DOCUMENT.

DIMENSIONS: mm	TOLERANCES UNLESS OTHERWISE SPECIFIED:	DIN K. WHITAKER 22FEB2005	TE Connectivity
	0 PLC ± -	CHK S. RIDGILL 22FEB2005	
	1 PLC ± -	APP'D S. RIDGILL 22FEB2005	NAME
	2 PLC ± 0.13		PRODUCT SPEC
	3 PLC ± -		APPLICATION SPEC
	4 PLC ± -		SIZE CAGE CODE DRAWING NO
	ANGLES ± -		RESTRICTED TO
MATERIAL SEE TABLE	FINISH SEE TABLE	WEIGHT -	A1 00779 C=640584
CUSTOMER DRAWING		SCALE 4:1	SHEET 1 of 1 REV J3

## X-ON Electronics

Largest Supplier of Electrical and Electronic Components

*Click to view similar products for [Pin & Socket Connectors](#) category:*

*Click to view products by [TE Connectivity](#) manufacturer:*

Other Similar products are found below :

[6450822-1](#) [770392-1](#) [794042-1](#) [796885-1](#) [8-794535-1](#) [PLR3455ACS-222](#) [R929991004](#) [R929993003](#) [1403611-1](#) [1-480349-5](#) [152302-5](#)  
[153211-2](#) [1586092-1](#) [1586129-1](#) [1586681-4](#) [1586700-1](#) [1586368-1](#) [1586380-1](#) [1586616-1](#) [1586680-5](#) [16-06-0038](#) [164164-5](#) [1-6609930-1](#)  
[172296-1](#) [19-09-2035](#) [200503-1](#) [200788-2](#) [2029090-4](#) [2029095-4](#) [925061-7](#) [293734-4](#) [293737-2](#) [1-765362-4](#) [1871534-1](#) [200833-4](#)  
[2008625-2](#) [2029027-2](#) [2029096-4](#) [R929991000](#) [R929991002](#) [R929993000](#) [319-10-101-00-005000](#) [319-10-102-00-001000](#) [319-10-104-00-001000](#) [319-10-105-00-001000](#) [319-10-108-00-001000](#) [319-10-112-00-006000](#) [39-01-8019](#) [319-10-101-00-001000](#) [319-10-102-00-005000](#)