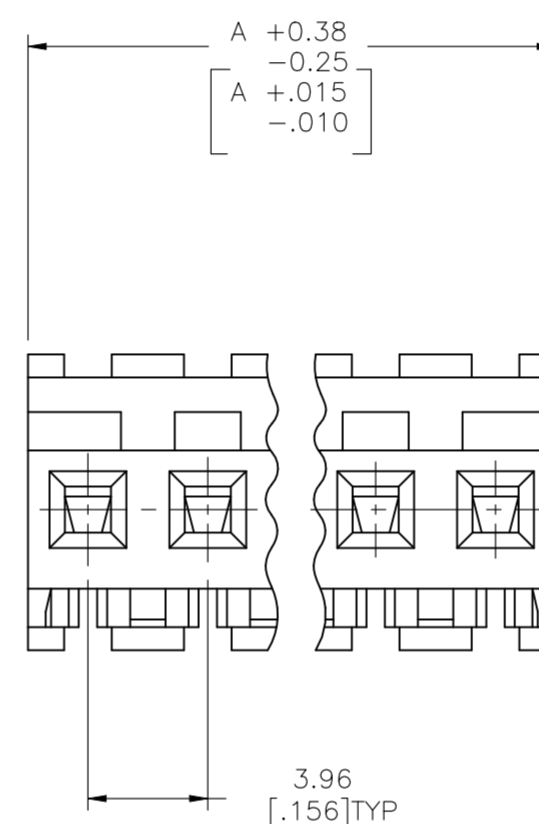
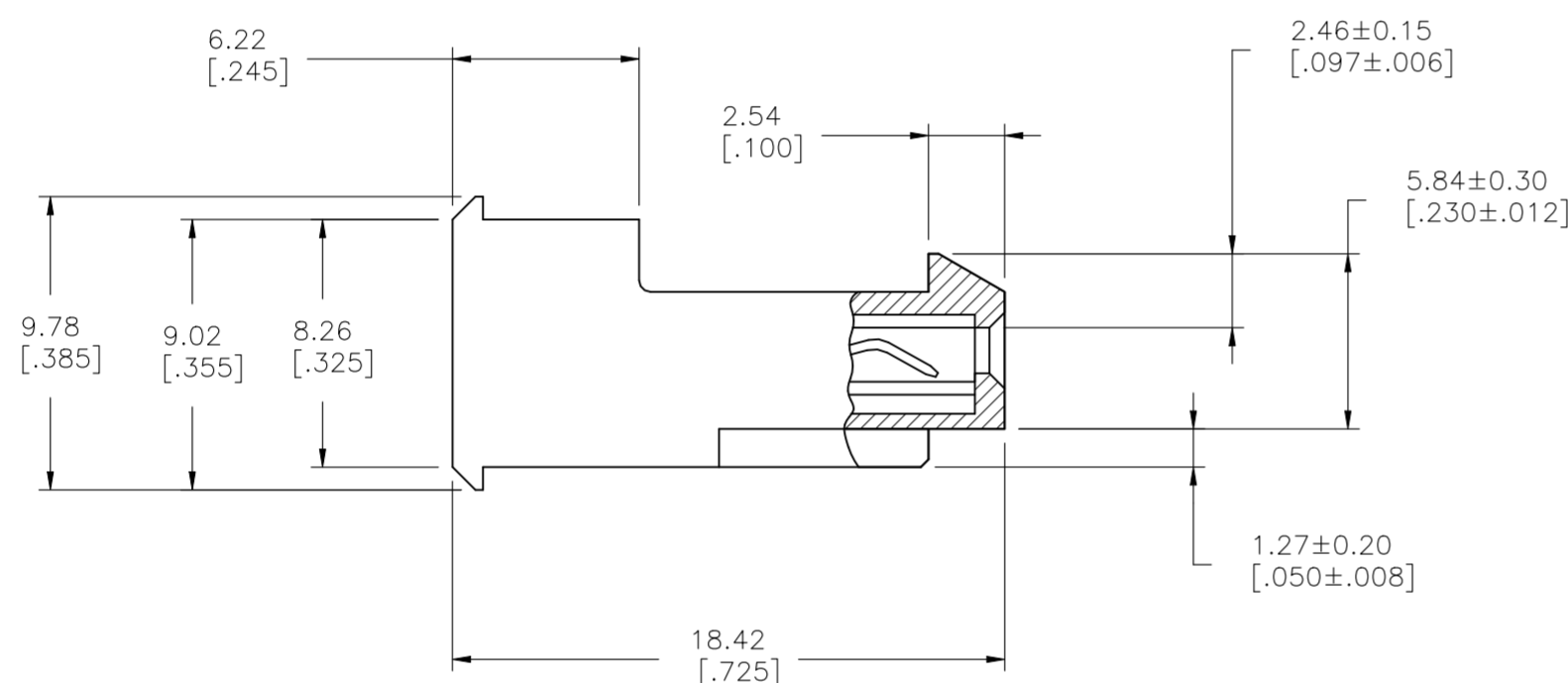
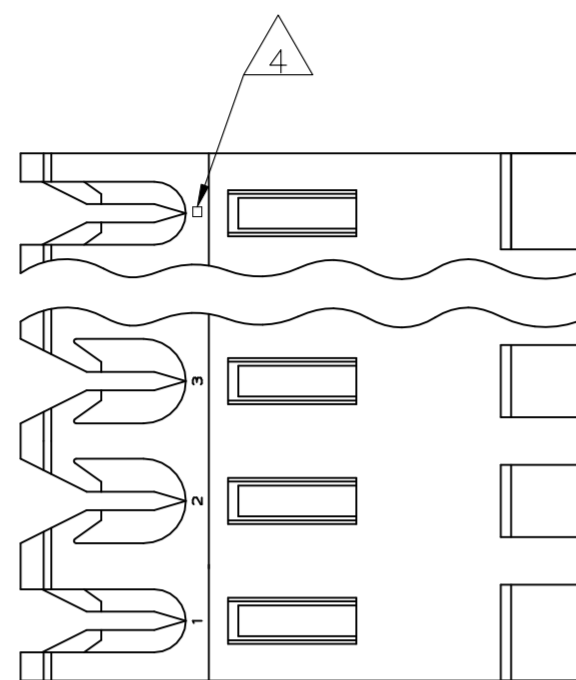


REVISIONS					
P	LTR	DESCRIPTION	DATE	DWN	APVD
	U1	REVISED PER ECR-21-100170	22JAN2021	SS	VS



OBSOLETE	95.10[3.744]	24	5-640599-4
	91.13[3.588]	23	5-640599-3
	87.17[3.432]	22	5-640599-2
	83.21[3.276]	21	5-640599-1
	79.25[3.120]	20	5-640599-0
	75.29[2.964]	19	4-640599-9
	71.32[2.808]	18	4-640599-8
	67.36[2.652]	17	4-640599-7
	63.40[2.496]	16	4-640599-6
	59.44[2.340]	15	4-640599-5
	55.47[2.184]	14	4-640599-4
	51.51[2.028]	13	4-640599-3
	47.55[1.872]	12	4-640599-2
	43.59[1.716]	11	4-640599-1
	39.62[1.560]	10	4-640599-0
	35.66[1.404]	9	3-640599-9
	31.70[1.248]	8	3-640599-8
	27.74[1.092]	7	3-640599-7
	23.77[.936]	6	3-640599-6
	19.81[.780]	5	3-640599-5
	15.85[.624]	4	3-640599-4
	11.89[.468]	3	3-640599-3
	7.92[.312]	2	3-640599-2

△	SUPERSEDED BY 5-640599-4	95.10[3.744]	24	2-640599-4
△	SUPERSEDED BY 5-640599-3	91.13[3.588]	23	2-640599-3
△	SUPERSEDED BY 5-640599-2	87.17[3.432]	22	2-640599-2
△	SUPERSEDED BY 5-640599-1	83.21[3.276]	21	2-640599-1
△	SUPERSEDED BY 5-640599-0	79.25[3.120]	20	2-640599-0
△	SUPERSEDED BY 4-640599-9	75.29[2.964]	19	1-640599-9
△	SUPERSEDED BY 4-640599-8	71.32[2.808]	18	1-640599-8
△	SUPERSEDED BY 4-640599-7	67.36[2.652]	17	1-640599-7
△	SUPERSEDED BY 4-640599-6	63.40[2.496]	16	1-640599-6
△	SUPERSEDED BY 4-640599-5	59.44[2.340]	15	1-640599-5
△	SUPERSEDED BY 4-640599-4	55.47[2.184]	14	1-640599-4
△	SUPERSEDED BY 4-640599-3	51.51[2.028]	13	1-640599-3
△	SUPERSEDED BY 4-640599-2	47.55[1.872]	12	1-640599-2
△	SUPERSEDED BY 4-640599-1	43.59[1.716]	11	1-640599-1
△	SUPERSEDED BY 4-640599-0	39.62[1.560]	10	1-640599-0
△	SUPERSEDED BY 3-640599-9	35.66[1.404]	9	1-640599-9
△	SUPERSEDED BY 3-640599-8	31.70[1.248]	8	1-640599-8
△	SUPERSEDED BY 3-640599-7	27.74[1.092]	7	1-640599-7
△	SUPERSEDED BY 3-640599-6	23.77[.936]	6	1-640599-6
△	SUPERSEDED BY 3-640599-5	19.81[.780]	5	1-640599-5
△	SUPERSEDED BY 3-640599-4	15.85[.624]	4	1-640599-4
△	SUPERSEDED BY 3-640599-3	11.89[.468]	3	1-640599-3
△	SUPERSEDED BY 3-640599-2	7.92[.312]	2	1-640599-2

- 1 MATERIAL: CONNECTOR - NYLON UL94-V2 (ORANGE).
CONTACTS - 0.30[.012] THICK COPPER ALLOY (BRIGHT TIN-LEAD 0.00203[.000080] MIN. THICK FOR CONTACTS 640599-2 THRU 2-640599-4) (MATTE WHISKER MITIGATED TIN 0.00203[.000080] MIN THICKNESS OVER NICKEL UNDERPLATE FOR 3-640599-2 THRU 5-640599-4).
- 2 CONTACTS ACCEPT 18 AWG WIRE WITH 2.41[.095] MAX INSULATION DIAMETER.
- 3 CONTACTS MUST ACCEPT 1.14±0.03[.045±.001] SQUARE POST AND REMAIN LOCKED IN POSITION.
- 4 IDENTIFICATION NUMBER FOR LAST CIRCUIT MAY NOT APPEAR ON ALL ASSEMBLIES.
- 5 DIMENSIONS IN BRACKETS ARE IN INCHES.
- 6 HOUSING FEATURES ARE: FEED-THRU WITH LOCKING RAMP.
- 7 OBSOLETE PARTS: OBSOLETE CIS STREAMLINING PER D.RENAUD/D.SINIS
- 8 OBSOLETE PARTS

THIS DRAWING IS A CONTROLLED DOCUMENT.		DWN S.CARPENTER 09JUL2003	TE Connectivity MTA-156 CONNECTOR ASSEMBLY, 18 AWG, STANDARD	
DIMENSIONS: mm [INCHES]		CHK D BOSSI 09JUL2003		
TOLERANCES UNLESS OTHERWISE SPECIFIED:		APVD D BOSSI 09JUL2003	NAME	
0 PLC ± - 1 PLC ± - 2 PLC ± - 3 PLC ± 0.13 [.005] 4 PLC ± - ANGLES ± -		PRODUCT SPEC 108-1051	RESTRICTED TO	
MATERIAL		APPLICATION SPEC 114-1020	SIZE A2	CAGE CODE 00779
FINISH		WEIGHT 0.000000	DRAWING NO C-640599	SCALE 4:1
		CUSTOMER DRAWING	SHEET 1 OF 1	REV U1

X-ON Electronics

Largest Supplier of Electrical and Electronic Components

Click to view similar products for [Headers & Wire Housings](#) category:

Click to view products by [TE Connectivity](#) manufacturer:

Other Similar products are found below :

[892-18-020-10-001101](#) [58102-G61-06LF](#) [582553-1](#) [0009485154](#) [009176003701906](#) [0050291907](#) [LY20-4P-DT1-P1E-BR](#) [02.125.8002.8](#)
[609-3404](#) [61062-3](#) [61082-181009](#) [622-3653LF](#) [63453-116](#) [636-1030](#) [636-1427](#) [636-3427](#) [636-4007](#) [641938-9](#) [641991-4](#) [644827-2](#) [65817-](#)
[010LF](#) [65817-015LF](#) [65863-015LF](#) [66207-023LF](#) [67095-007LF](#) [67601157](#) [68645-018](#) [68648-049](#) [70.362.1628.0](#) [70-4210](#) [70-4226B](#) [70-](#)
[4853B](#) [707-5020](#) [707-5028](#) [71.350.2428.0](#) [71918-208LF](#) [71961-016LF](#) [733-134](#) [733-162](#) [754199-000](#) [760-3052](#) [787-8014-00](#) [79531-3000](#)
[FCN-360C032-B](#) [FCN-367T-T012/H](#) [FCN-723D010/2](#) [80.063.4001.1](#) [800-90-001-10-001000](#) [800-90-010-10-002000](#) [801-43-002-10-013000](#)