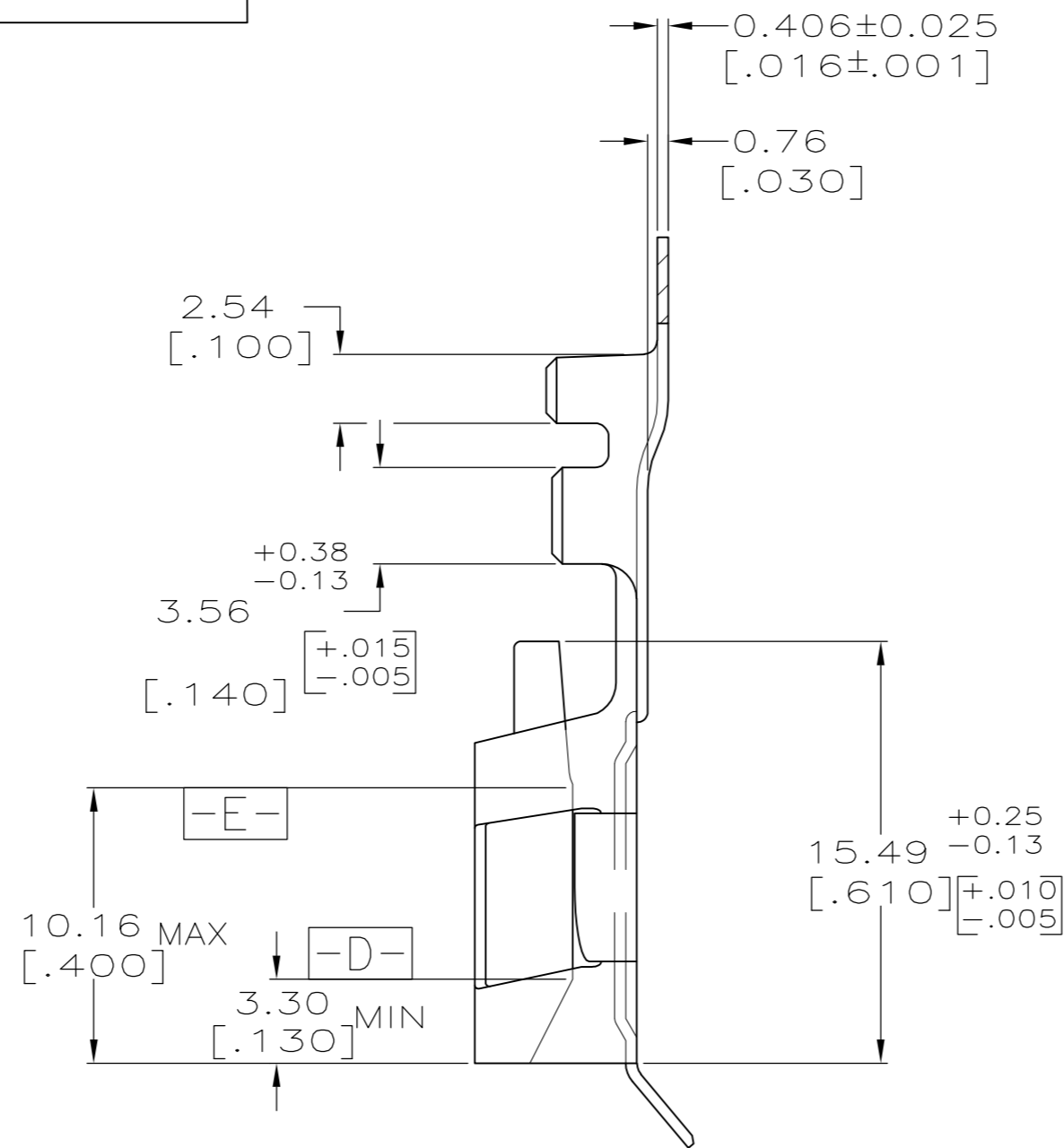
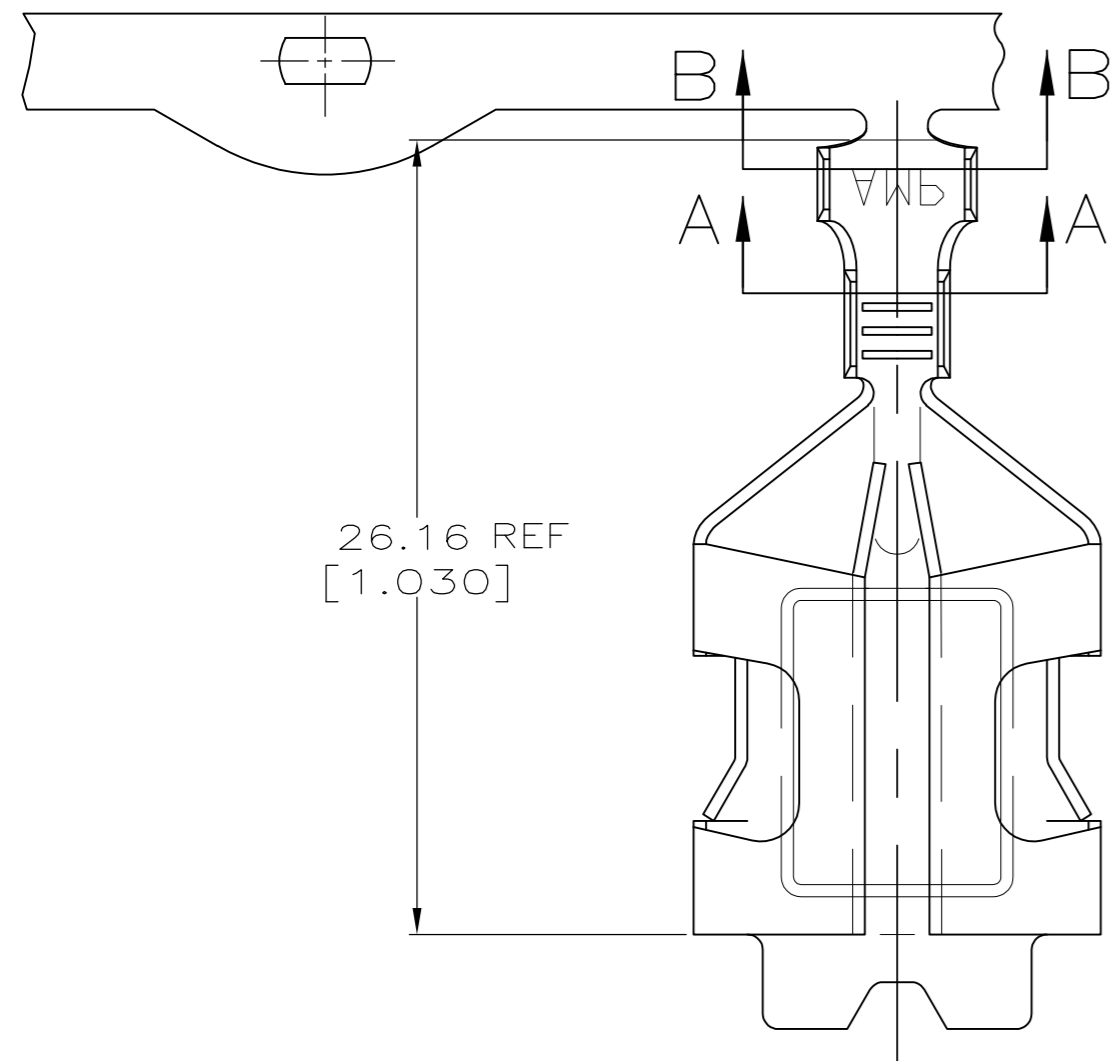
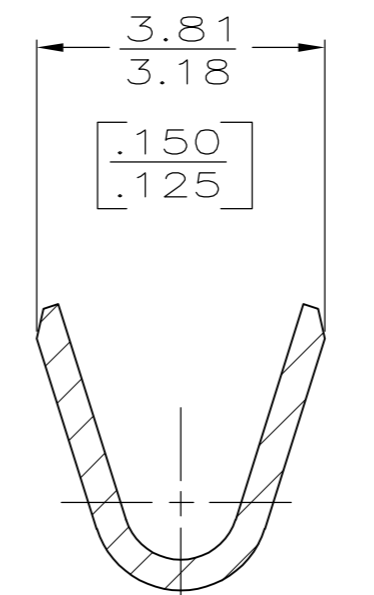
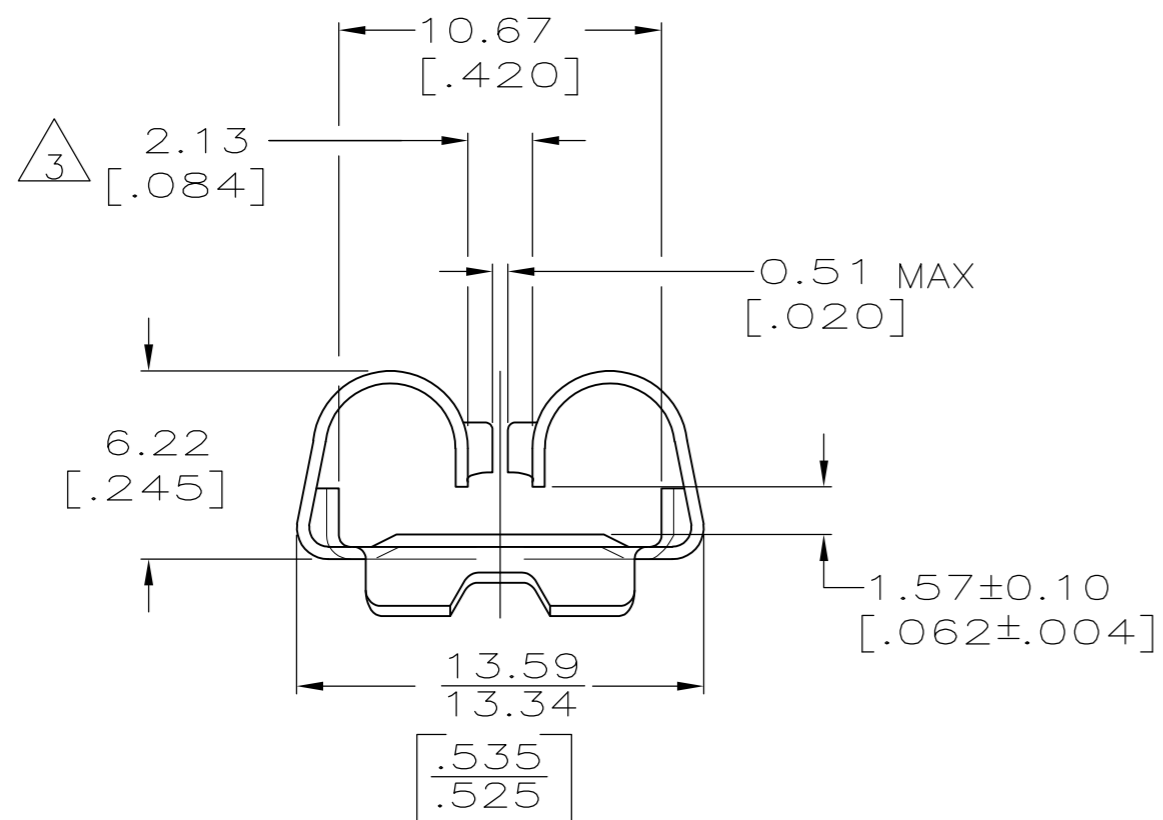


THIS DRAWING IS UNPUBLISHED. RELEASED FOR PUBLICATION
 © COPYRIGHT BY TYCO ELECTRONICS CORPORATION. ALL INTERNATIONAL RIGHTS RESERVED.

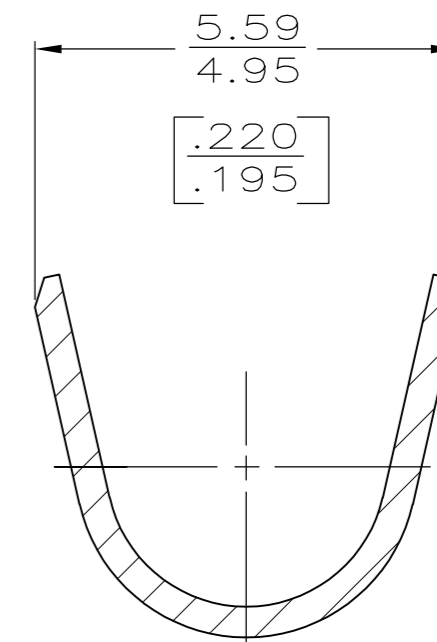
LOC	DIST	REVISIONS			
P	LTR	DESCRIPTION	DATE	DWN	APVD
AF	50				
	S2	REVISED PER ECR-08-014119	09JUN08	HMR	GJ
	S3	REVISED PER ECR-15-014057	24SEP2015	L.P	T.D



- 1 ACCEPTS TAB OR RING 1.78 - 2.41 [.070 - .095] THK X 7.92 - 9.52 [.312 - .375] WIDE.
- 2 WILL NOT MATE WITH A TAB OR RING GREATER THAN 0.25 [.010] LESS IN THICKNESS THAN ONE PREVIOUSLY USED.
- 3 DIMENSION APPLIES BETWEEN $\boxed{-D-}$ AND $\boxed{-E-}$.
- 4 SUPPLIED AS CONTINUOUS STRIP WITH TERMINALS ON 37.85 [1.490] CENTERS.
- 5 PRELIMINARY - NOT FOR PRODUCTION.
- 6 SUPERSEDED BY 640748-7



SECTION A-A
SCALE 10:1



SECTION B-B
SCALE 10:1

	H04 PHOS BRONZE			640748-7
REDUCED REEL COUNT	#4 HD COPPER-NICKEL ALLOY			5 640748-6
	TM06 COPPER-NICKEL-SILICON ALLOY	1	3.96 [1.56] MAX DIA	5 640748-4
6 OBSOLETE	#4 HD COPPER-NICKEL ALLOY			640748-1
	MATERIAL	TAB THICKNESS	INSULATION RANGE	WIRE SIZE

THIS DRAWING IS A CONTROLLED DOCUMENT.		DWN P FORTNEY 2/14/91	Tyco Electronics Corporation Harrisburg, PA 17105-3608	
DIMENSIONS: INCHES		CHK JR RUTH 2/14/91	NAME RECEPCTACLE, HEAVY DUTY BURNER CONNECTOR	
TOLERANCES UNLESS OTHERWISE SPECIFIED:		APVD R WEAVILL 2/14/91	PRODUCT SPEC 108-1056	
0 PLC ± -		APPLICATION SPEC 114-1028		
1 PLC ± -		WEIGHT -		
2 PLC ± 0.25 [.010]		SIZE A2		
3 PLC ± -		CAGE CODE 00779		
4 PLC ± -		DRAWING NO C=640748		
ANGLES ± -		RESTRICTED TO -		
FINISH -		SCALE 4:1 SHEET 1 of 1 REV S3		
MATERIAL SEE TABLE		CUSTOMER DRAWING		

X-ON Electronics

Largest Supplier of Electrical and Electronic Components

Click to view similar products for [TE Connectivity](#) manufacturer:

Other Similar products are found below :

[D38999/24FJ4AN](#) [570416-000](#) [CLTEQ-M81CE-SSRELAY-4-20V](#) [4-1195131-0](#) [650069-000](#) [SMD100-2](#) [358838-000](#) [CB-1022B-78](#)
[RM707012](#) [RP410012](#) [MMS42](#) [1-640426-8](#) [2EDL4CM](#) [DTS20W19-11PD-3028-LC](#) [RM202615](#) [NC6-P104-06](#) [MSPS103B](#) [DTS26F21-41HE-LC](#) [DTS26F21-41AE](#) [DTS26F21-41PE-LC](#) [DTS26F21-11SE-3028-LC](#) [30DCB6](#) [1932144-1](#) [293545-4](#) [LVR125S](#) [MS27466T25F4PB](#)
[CKB-38-78010](#) [TR04AI-TINELLOCKRING](#) [1206SFF150F/63-2](#) [D38999/20JB35HA](#) [TE1500A2R2J](#) [D38999/20WC8BB](#) [DTS24F19-11SC-3028-LC](#) [D38999/24WG11HA](#) [D38999/24WG11HN](#) [MS27467T21F11H](#) [DJT16E21-11HA](#) [MS27467T21F35J](#) [MS27467T21F11J](#)
[MS27467T21F16H-LC](#) [MS27467T21F35H](#) [MS27467T21F41H-LC](#) [1206SFH150F/24-2](#) [RP330024](#) [DJT16E21-11PA-LC](#) [DJT16E21-11HA-LC](#) [DJT16E21-11AA](#) [MS27467T21B11JA](#) [DJT16E21-11JA](#) [MS27467T21B11JA-LC](#)