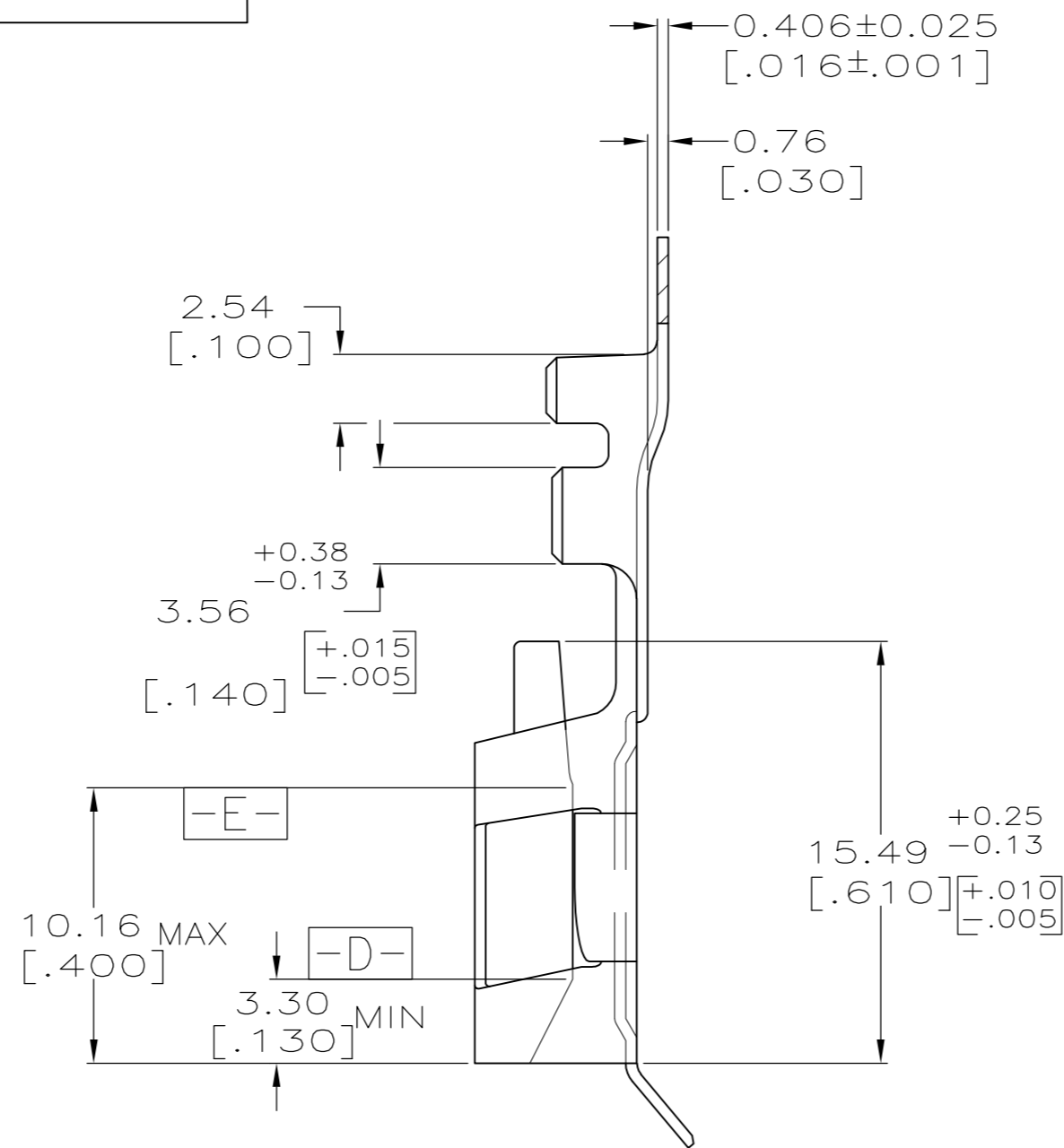
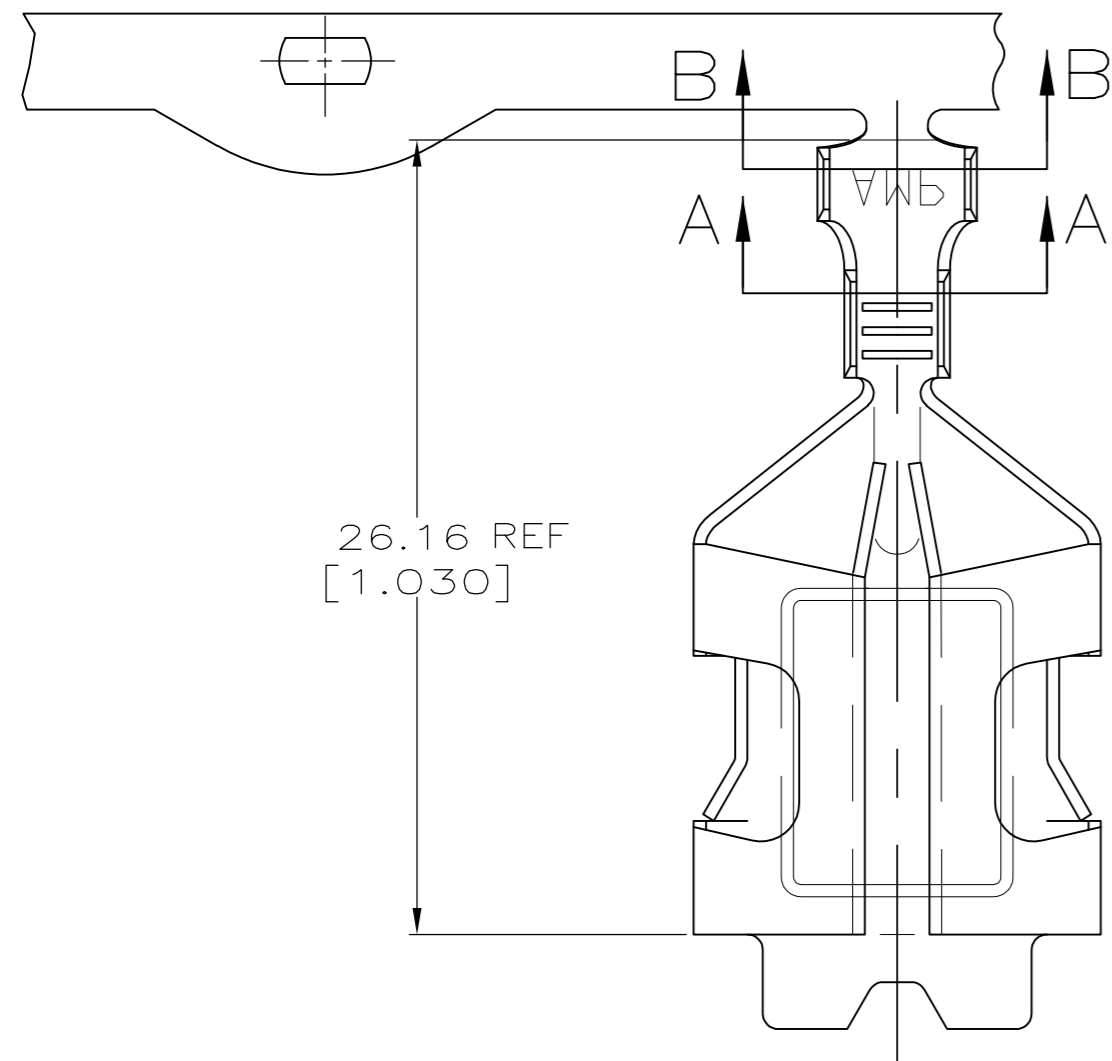
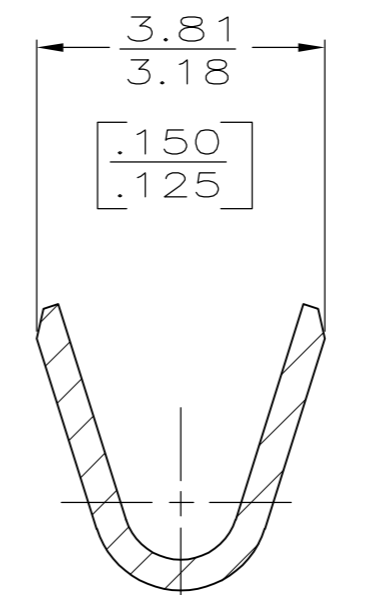
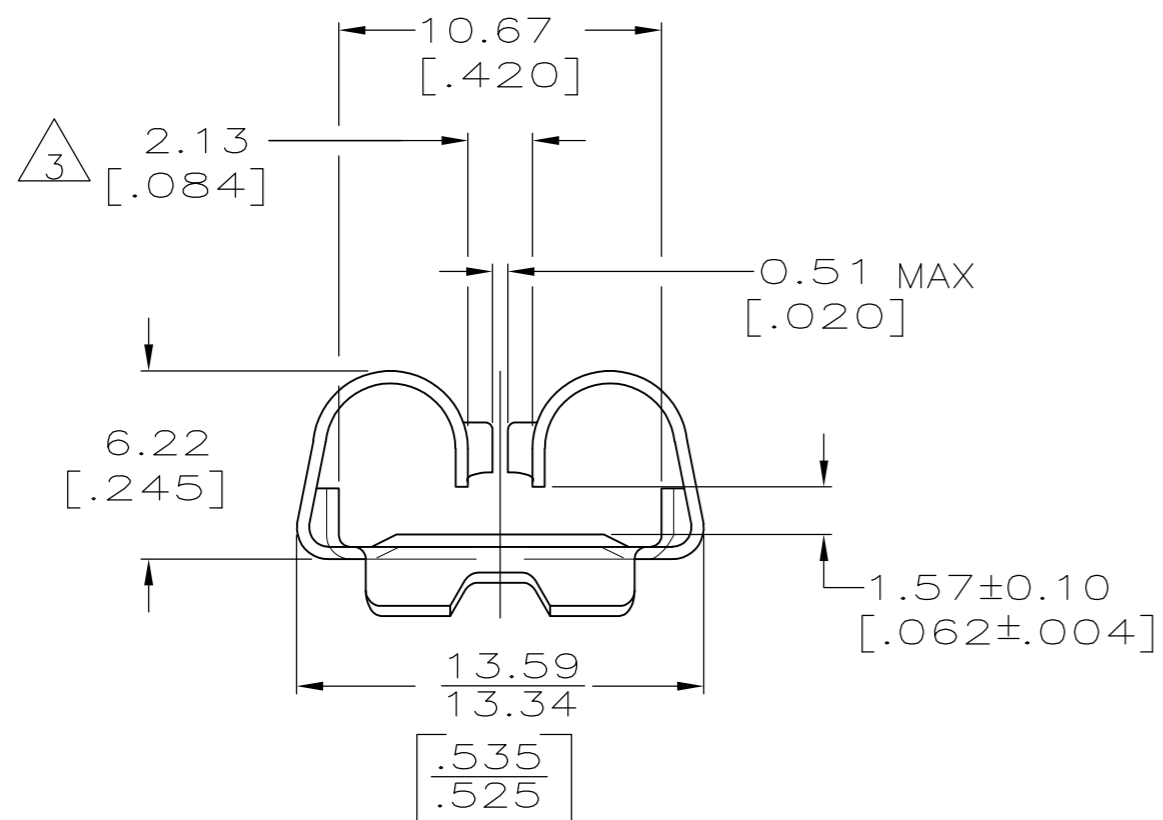


THIS DRAWING IS UNPUBLISHED. RELEASED FOR PUBLICATION
 © COPYRIGHT BY TYCO ELECTRONICS CORPORATION. ALL INTERNATIONAL RIGHTS RESERVED.

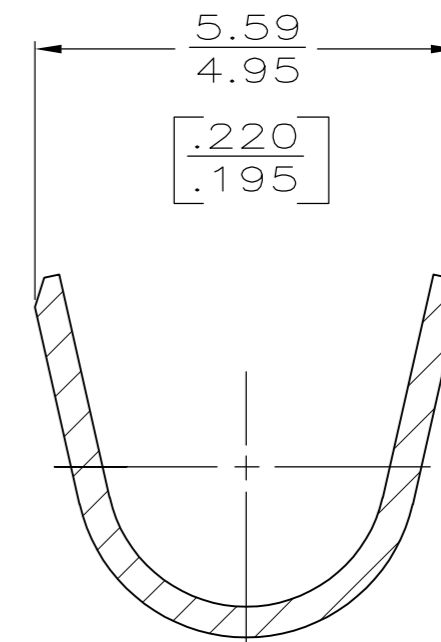
LOC	DIST	REVISIONS					
		P	LTR	DESCRIPTION	DATE	DWN	APVD
AF	50		S2	REVISED PER ECR-08-014119	09JUN08	HMR	GJ
			S3	REVISED PER ECR-15-014057	24SEP2015	L.P	T.D



- 1 ACCEPTS TAB OR RING 1.78 - 2.41 [.070 - .095] THK X 7.92 - 9.52 [.312 - .375] WIDE.
- 2 WILL NOT MATE WITH A TAB OR RING GREATER THAN 0.25 [.010] LESS IN THICKNESS THAN ONE PREVIOUSLY USED.
- 3 DIMENSION APPLIES BETWEEN $\boxed{-D-}$ AND $\boxed{-E-}$.
- 4 SUPPLIED AS CONTINUOUS STRIP WITH TERMINALS ON 37.85 [1.490] CENTERS.
- 5 PRELIMINARY - NOT FOR PRODUCTION.
- 6 SUPERSEDED BY 640748-7



SECTION A-A
SCALE 10:1



SECTION B-B
SCALE 10:1

	H04 PHOS BRONZE			640748-7
REDUCED REEL COUNT	#4 HD COPPER-NICKEL ALLOY			5 640748-6
	TM06 COPPER-NICKEL-SILICON ALLOY	1	3.96 MAX DIA [.156]	5 640748-4
6 OBSOLETE	#4 HD COPPER-NICKEL ALLOY			640748-1
	MATERIAL	TAB THICKNESS	INSULATION RANGE	WIRE SIZE

THIS DRAWING IS A CONTROLLED DOCUMENT.		DWN P FORTNEY 2/14/91	Tyco Electronics Corporation Harrisburg, PA 17105-3608	
DIMENSIONS: INCHES		CHK JR RUTH 2/14/91	RECEPTACLE, HEAVY DUTY BURNER CONNECTOR	
TOLERANCES UNLESS OTHERWISE SPECIFIED:		APVD R WEAVILL 2/14/91	NAME	
0 PLC ± -	1 PLC ± -	PRODUCT SPEC 108-1056		
2 PLC ± 0.25 [.010]	3 PLC ± -	APPLICATION SPEC 114-1028		
4 PLC ± -	ANGLES ± -	SIZE CAGE CODE DRAWING NO RESTRICTED TO		
MATERIAL SEE TABLE	FINISH -	WEIGHT -	A2 00779 C=640748	-
CUSTOMER DRAWING		SCALE 4:1	SHEET 1 of 1	REV S3

X-ON Electronics

Largest Supplier of Electrical and Electronic Components

Click to view similar products for [Heavy Duty Power Connectors](#) category:

Click to view products by [TE Connectivity](#) manufacturer:

Other Similar products are found below :

[6646058-2](#) [6646137-1](#) [6646138-1](#) [6646940-1](#) [6651091-1](#) [6651525-1](#) [6651529-1](#) [696475-1](#) [702-32-01109](#) [73080255059](#) [73080965046](#)
[7310205040001](#) [765-16-0080B](#) [765-18-0080D](#) [902-77-02113](#) [PS00/A0620/6300](#) [AN0024023](#) [154-42B7WM250](#) [MS3117-14AC](#) [1643543-1](#)
[1766966-1](#) [1791340000](#) [NLDFT-3-BL-L-S120-M40A](#) [NLDFT-N-W-L-C240-M40B](#) [1926015-1](#) [NLS-3-BL-C240-M40B](#) [NLS-N-W-C240-](#)
[M40B](#) [NPS-3-BL-T6](#) [2-1589900-8](#) [9300480317](#) [294-0091-01100](#) [296-0040-01100](#) [1-6609148-0](#) [A32595-0049](#) [1766249-1](#) [19000005132](#)
[1926016-1](#) [1-966831-8](#) [AN0024202](#) [AN0264023](#) [279-0841-10100A](#) [281-0334-00100A](#) [RMSB4](#) [419-2083-301](#) [LCDX4/0-14B-X](#) [075-8519-](#)
[001](#) [078238-1613](#) [07.470.3256.0](#) [09000005288](#) [09140240311](#)