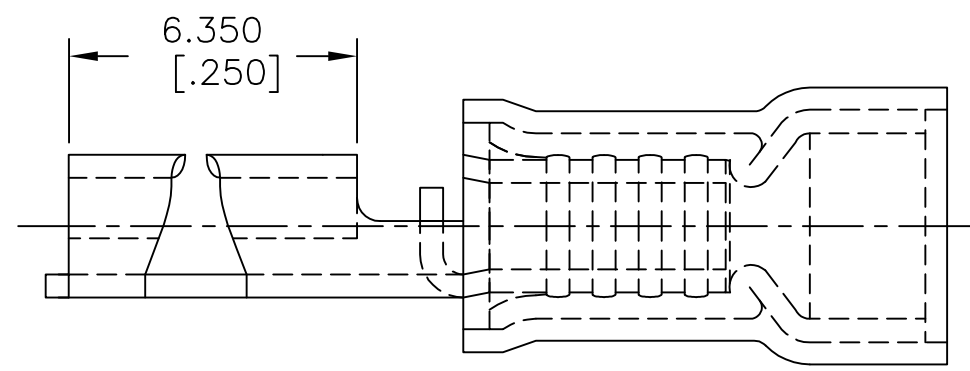
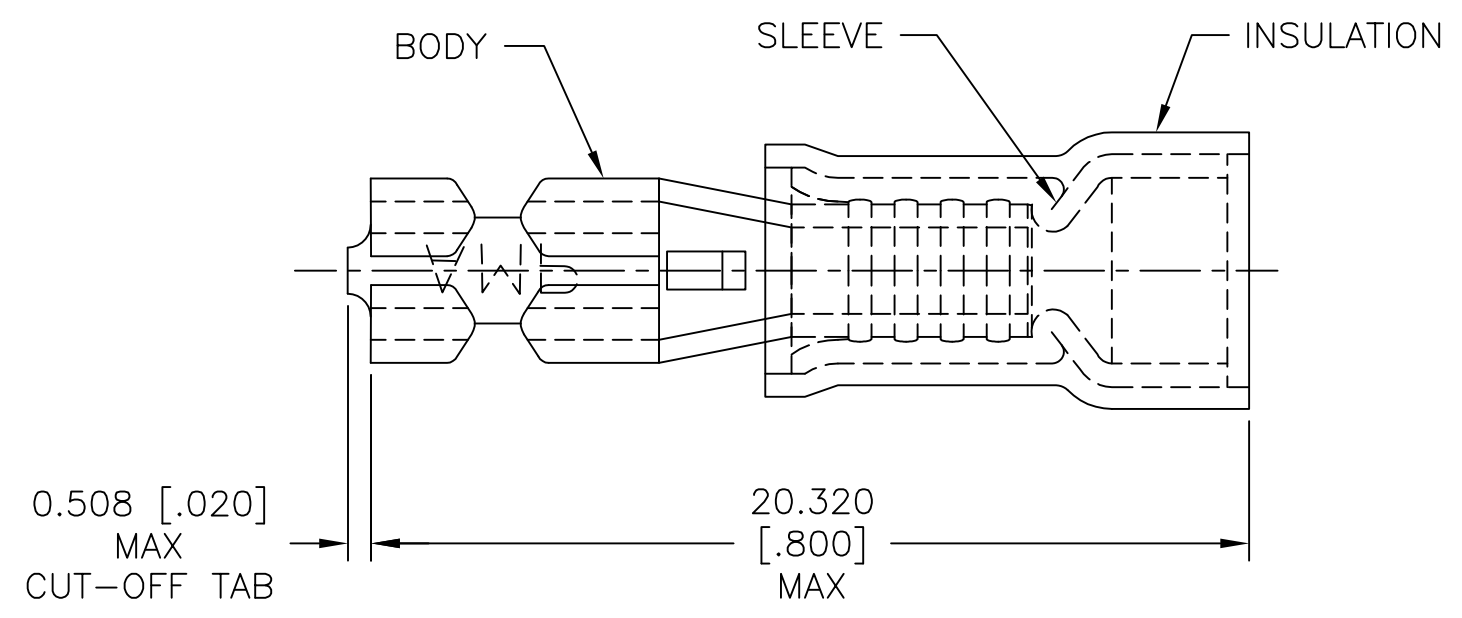
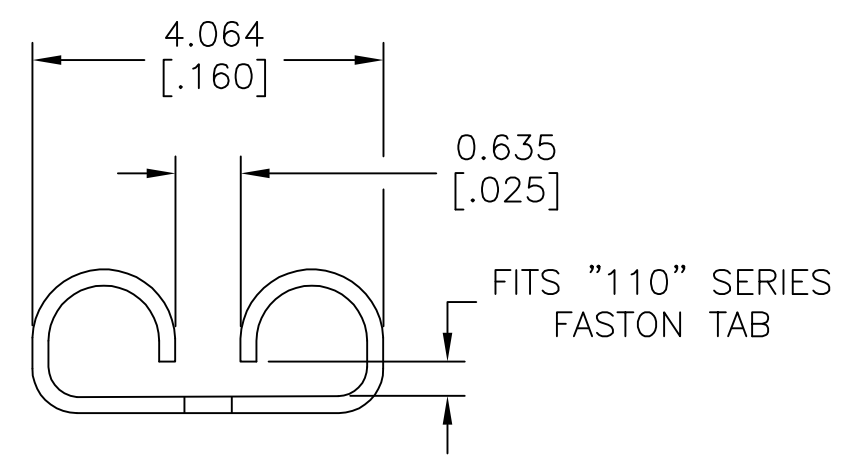


REVISIONS					
P	LTR	DESCRIPTION	DATE	DWN	APVD
	F	REV PER 0G3A-0176-02	08APR02	JR	TM
	F1	REVISED PER ECO-17-013525	14SEP2017	RS	DR



- 1 INSULATION $\phi 3.429[\phi.135]$ MAX.
- 2 FITS TAB .407[.016] THK.



5000	TAPE MOUNTED	640921-2
1000	LOOSE PIECE	640921-1
QTY	PACKAGE TYPE	PART NO

AMP INCORPORATED CUSTOMER SERVICE SYSTEMS		MAX RECOMMENDED OPERATING TEMPERATURE: 105°C [221°F]	THIS DRAWING IS A CONTROLLED DOCUMENT.		DWN L OLMEDA 13NOV95	TE Connectivity RECEPTACLE, 110 SERIES, FASTON™, PIDG™ WIRE SIZE: 22-18 AWG				
FOR ADDITIONAL PRODUCT INFORMATION OR COPIES OF DRAWINGS AND TECHNICAL DOCUMENTS	PRODUCT INFORMATION CENTER 1-800-522-6752	VOLTAGE RATING: -	DIMENSIONS: mm [INCHES]	TOLERANCES UNLESS OTHERWISE SPECIFIED:	CHK M ELLIS 15NOV95					NAME
FOR APPLICATION TOOLING INFORMATION	TOOLING ASSISTANCE CENTER 1-800-722-1111	WIRE CROSS SECTIONAL AREA RANGE, 0.26-0.96mm²[509-1900] STRANDED		0 PLC ± - 1 PLC ± - 2 PLC ± - 3 PLC ± 0.127[.005] 4 PLC ± - ANGLES ± -	APVD B BARE 15NOV95	APPLICATION SPEC				
FOR ORDER ENTRY	1-800-526-5142	MATERIAL BODY-BRASS .016, SLEEVE-COPPER, INSULATION-NYLON		FINISH BODY&SLEEVE: PRE-TIN INSULATION: COLOR-RED	WEIGHT -	SIZE A3	CAGE CODE 00779	DRAWING NO C-640921	RESTRICTED TO -	
CUSTOMER DRAWING					SCALE NTS	SHEET 1 OF 1	REV F1			

X-ON Electronics

Largest Supplier of Electrical and Electronic Components

Click to view similar products for [Terminals](#) category:

Click to view products by [TE Connectivity](#) manufacturer:

Other Similar products are found below :

[00-054007-01074-6](#) [00-054007-70206-1](#) [00-054007-70210-8](#) [00-054007-70217-7](#) [00-054007-70226-9](#) [00-054007-70228-3](#) [00-054007-70248-1](#) [00-054007-70256-6](#) [00-054007-70301-3](#) [00-054007-70316-7](#) [00-054007-49560-4](#) [00-054007-70209-2](#) [00-054007-70225-2](#) [00-054007-70227-6](#) [00-054007-70231-3](#) [00-054007-70241-2](#) [00-054007-70242-9](#) [00-054007-70244-3](#) [00-054007-70246-7](#) [00-054007-70263-4](#) [00-054007-70288-7](#) [00-054007-70290-0](#) [00-054007-70300-6](#) [00-054007-70304-4](#) [01-2065-1-0216](#) [01-2900-1-04412](#) [00581P0075](#) [600TS-10](#) [60205-1](#) [604200-1](#) [605601-1](#) [60598-1-CUT-TAPE](#) [61314-6-C](#) [61810-3](#) [61-S](#) [61-SN](#) [626-0194](#) [62-NBM-A](#) [62-SN](#) [62-SP](#) [63-S](#) [640179-1](#) [M55155/059I03](#) [M55155/079C01](#) [M55155/099H02](#) [M55155/109H01](#) [M55155/109H02](#) [M55155/12XH05](#) [M55155/16XH02](#) [M55155/29-5S](#)