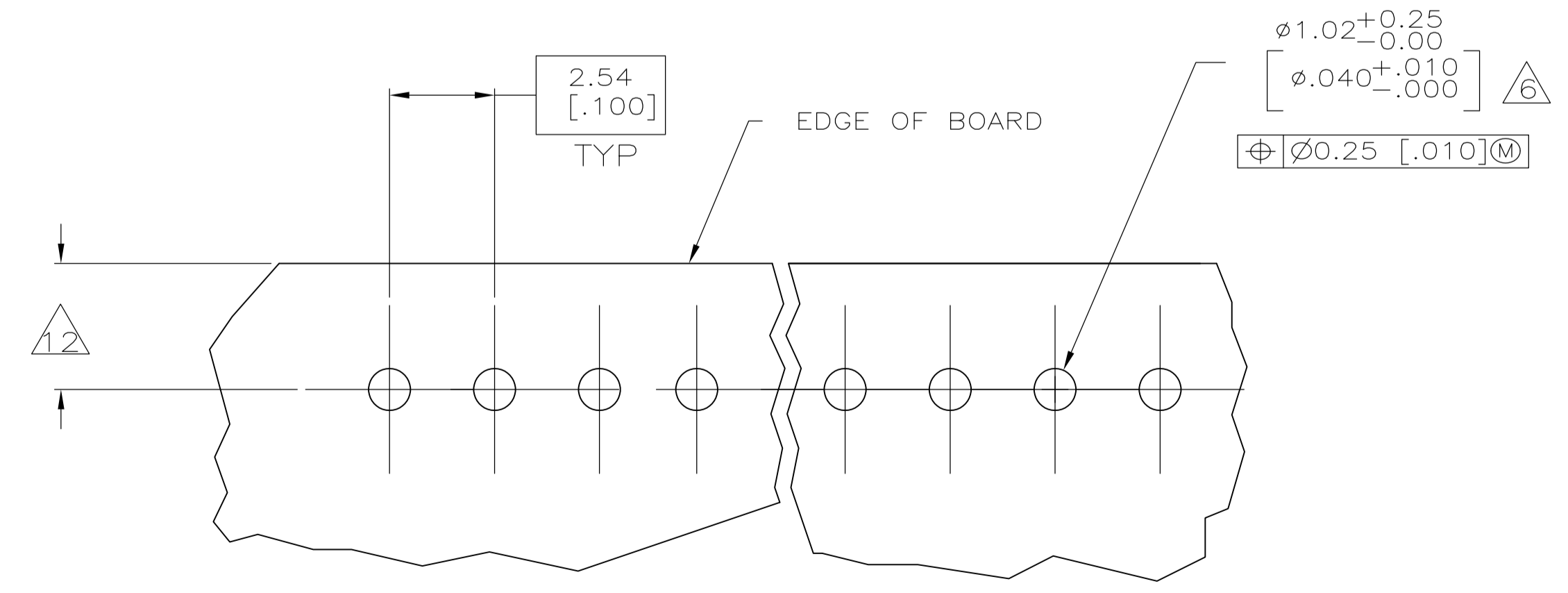
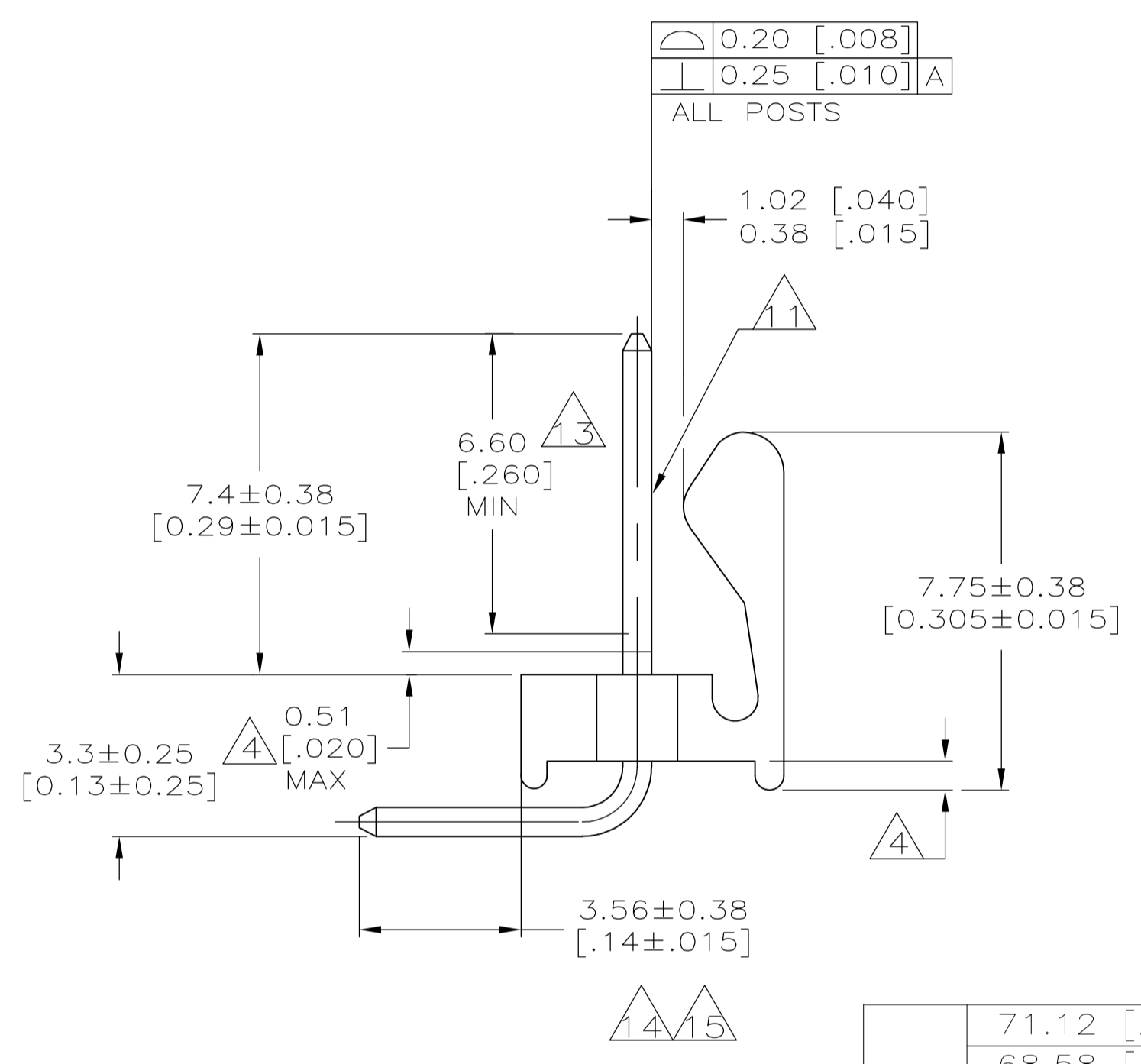
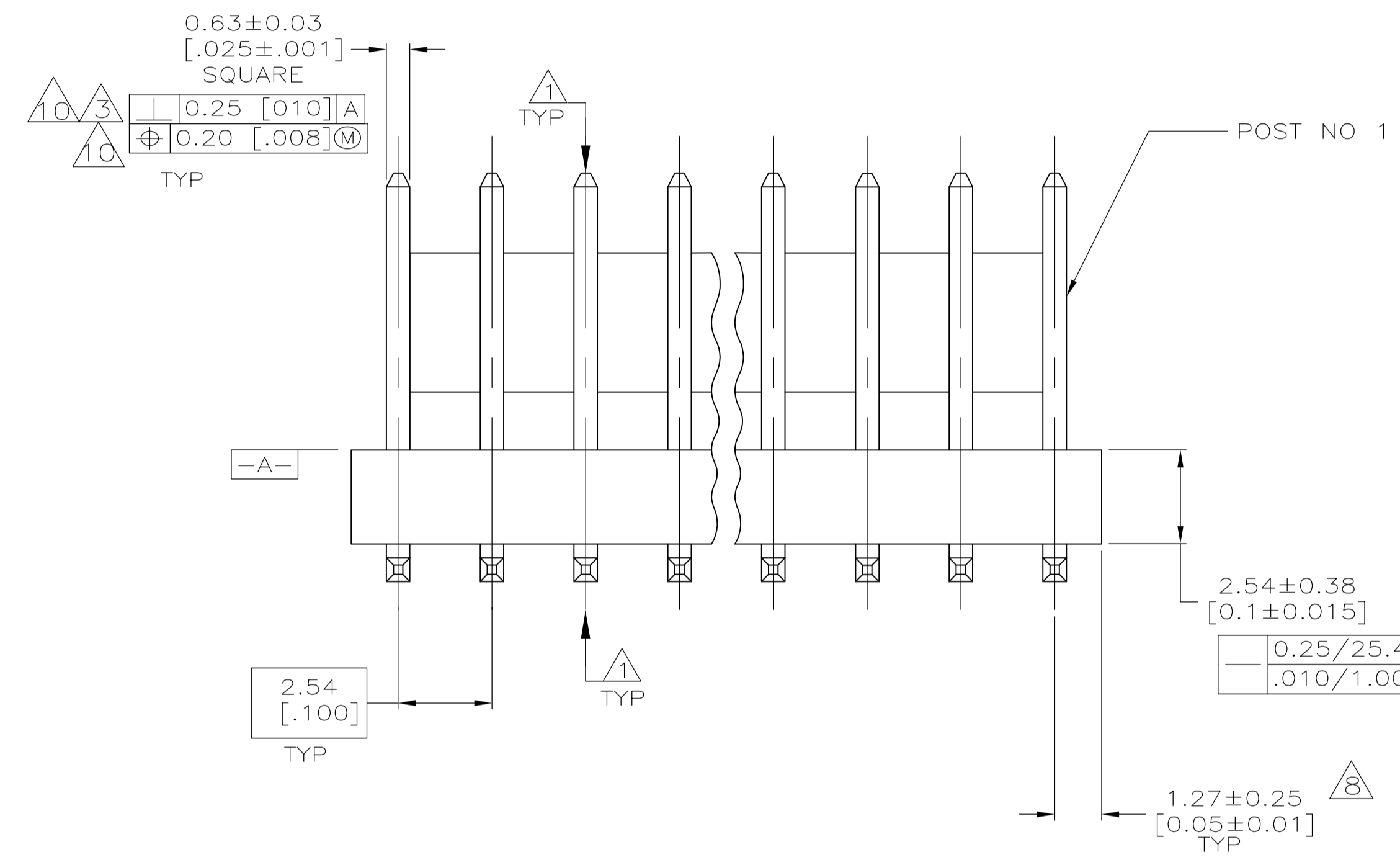


△ OBSOLETE PART NUMBER

- △1 POST TO WITHSTAND 13 NEWTONS (3 LBS) MINIMUM AXIAL FORCE IN BOTH DIRECTIONS SHOWN WITHOUT DISLODGING.
- △2 TOLERANCES APPLY TO SOLDER SIDE OF BOARD.
- △3 MEASURED AT **-A-**
- △4 PLASTIC FLASH PERMITTED IN THIS AREA.
- 5 PARTS COMPLY WITH AMP SOLDERABILITY SPEC. NO. 109-11-2.
- △6 ONE HOLE MAY BE UNDERSIZED 0.81-0.89 [.032-.035] DIA. FOR ASSEMBLY RETENTION DURING WAVE SOLDERING.
- △7 MATERIAL: HEADER-THERMOPLASTIC POLYESTER
94V-0 (NATURAL)
POST-COPPER ALLOY
FINISH-USE PLATING NOTES 13 & 14 FOR -2 THRU -28
AND NOTES 13 & 15 FOR -32 THRU -58
- △8 COORDINATE DIMENSION APPLIES FROM CENTER OF ACTUAL FEATURE.
- 9 PLASTIC BURRS CAUSED BY CUT-OFF TOOLING ARE PERMITTED WITHIN THE MAXIMUM TOLERANCE ENVELOPE.
- △10 POSTS TO BE MEASURED WHEN STRIP IS HELD FLAT.
- △11 POST MUST WITHSTAND TWO 90° BENDS AGAINST EXTRUSION WITHOUT BREAKING.
- △12 DIMENSION SHOULD BE 2.79-4.06 [.110-.160] MIN WHEN MATING WITH A MTA-100 CONNECTOR ASSEMBLY OR 2.79-3.05 [.110-.120] WHEN MATING WITH A CST-100 CONNECTOR ASSEMBLY.
- △13 PLATING: GOLD PLATE AREA, 0.00038 [.000015] GOLD OR 0.00008 [.000003] MIN GOLD FLASH OVER 0.00030 [.000012] PALLADIUM NICKEL, PER TE CONNECTIVITY'S DISCRETION, ALL SIDES, OVER NICKEL UNDERPLATE, 0.00127 [.000050] MIN, ALL SIDES AND ENTIRE LENGTH OF POST.
- △14 PLATING: MATTE TIN PLATE AREA, 0.00381-0.00889 [.000150-.000350] THICK, ALL FOUR SIDES 3.56 [.140] MINIMUM.
- △15 PLATING: MATTE TIN PLATE AREA, 0.00381-0.00889 [.000150-.000350] THICK, ALL FOUR SIDES 3.56 [.140] MINIMUM.
- △16 OBSOLETE PARTS: OBSOLETE CIS STREAMLINING PER D.RENAUD/D.SINISI



RECOMMENDED MOUNTING HOLE PATTERN FOR 1.60 [.063] THICK P.C. BOARD △2

DIM (L)	NO.OF POSN	ASSEMBLY
71.12 [2.800]	28	5-641127-8
68.58 [2.700]	27	5-641127-7
66.04 [2.600]	26	5-641127-6
63.50 [2.500]	25	5-641127-5
60.96 [2.400]	24	5-641127-4
58.42 [2.300]	23	5-641127-3
55.88 [2.200]	22	5-641127-2
53.34 [2.100]	21	5-641127-1
50.80 [2.000]	20	5-641127-0
48.26 [1.900]	19	4-641127-9
45.72 [1.800]	18	4-641127-8
43.18 [1.700]	17	4-641127-7
40.64 [1.600]	16	4-641127-6
38.10 [1.500]	15	4-641127-5
35.56 [1.400]	14	4-641127-4
33.02 [1.300]	13	4-641127-3
30.48 [1.200]	12	4-641127-2
27.94 [1.100]	11	4-641127-1
25.40 [1.000]	10	4-641127-0
22.86 [.900]	9	3-641127-9
20.32 [.800]	8	3-641127-8
17.78 [.700]	7	3-641127-7
15.24 [.600]	6	3-641127-6
12.70 [.500]	5	3-641127-5
10.16 [.400]	4	3-641127-4
7.62 [.300]	3	3-641127-3
5.08 [.200]	2	3-641127-2

DIM (L)	NO.OF POSN	ASSEMBLY	REVISIONS
71.12 [2.800]	28	2-641127-8	△16 SUPERSEDED BY 5-641127-8
68.58 [2.700]	27	2-641127-7	△16 SUPERSEDED BY 5-641127-7
66.04 [2.600]	26	2-641127-6	△16 SUPERSEDED BY 5-641127-6
63.50 [2.500]	25	2-641127-5	△16 SUPERSEDED BY 5-641127-5
60.96 [2.400]	24	2-641127-4	△16 SUPERSEDED BY 5-641127-4
58.42 [2.300]	23	2-641127-3	△16 SUPERSEDED BY 5-641127-3
55.88 [2.200]	22	2-641127-2	△16 SUPERSEDED BY 5-641127-2
53.34 [2.100]	21	2-641127-1	△16 SUPERSEDED BY 5-641127-1
50.80 [2.000]	20	2-641127-0	△16 SUPERSEDED BY 5-641127-0
48.26 [1.900]	19	1-641127-9	△16 SUPERSEDED BY 4-641127-9
45.72 [1.800]	18	1-641127-8	△16 SUPERSEDED BY 4-641127-8
43.18 [1.700]	17	1-641127-7	△16 SUPERSEDED BY 4-641127-7
40.64 [1.600]	16	1-641127-6	△17 SUPERSEDED BY 4-641127-6
38.10 [1.500]	15	1-641127-5	△16 SUPERSEDED BY 4-641127-5
35.56 [1.400]	14	1-641127-4	△16 SUPERSEDED BY 4-641127-4
33.02 [1.300]	13	1-641127-3	△16 SUPERSEDED BY 4-641127-3
30.48 [1.200]	12	1-641127-2	△17 SUPERSEDED BY 4-641127-2
27.94 [1.100]	11	1-641127-1	△16 SUPERSEDED BY 4-641127-1
25.40 [1.000]	10	1-641127-0	△16 SUPERSEDED BY 4-641127-0
22.86 [.900]	9	—641127-9	△17 SUPERSEDED BY 3-641127-9
20.32 [.800]	8	—641127-8	△16 SUPERSEDED BY 3-641127-8
17.78 [.700]	7	—641127-7	△16 SUPERSEDED BY 3-641127-7
15.24 [.600]	6	—641127-6	△16 SUPERSEDED BY 3-641127-6
12.70 [.500]	5	—641127-5	△17 SUPERSEDED BY 3-641127-5
10.16 [.400]	4	—641127-4	△17 SUPERSEDED BY 3-641127-4
7.62 [.300]	3	—641127-3	△17 SUPERSEDED BY 3-641127-3
5.08 [.200]	2	—641127-2	△17 SUPERSEDED BY 3-641127-2

THIS DRAWING IS A CONTROLLED DOCUMENT. DIN S. HOOVER 26-JAN-2005
 CJK D. ROSSI 26-JAN-2005
 APVO D. ROSSI 26-JAN-2005

TE Connectivity

MTA-100 HEADER ASSEMBLY, FRICTION LOCK, NOTCHED, .025 SQUARE RIGHT ANGLE POST, .000015 GOLD PLATED

APPLIC. SPEC: PRODUCT SPEC

SIZE: A1 CAGE CODE: 00779 DRAWING NO: 641127

WEIGHT: CUSTOMER DRAWING SCALE: 8:1 SHEET: 1 of 1 REV: AC2

X-ON Electronics

Largest Supplier of Electrical and Electronic Components

Click to view similar products for [Headers & Wire Housings](#) category:

Click to view products by [TE Connectivity](#) manufacturer:

Other Similar products are found below :

[95000-104TRLF](#) [10135584-644402LF](#) [DF62W-EP2022PCA](#) [95000-106TRLF](#) [DF62W-2022SCA](#) [DF62W-EP2022PC](#) [2203348](#) [DF62W-2022SC](#) [1084018](#) [1029039](#) [1084017](#) [802-10-012-10-002000](#) [1112640](#) [1112639](#) [000-34000](#) [0009482033](#) [0009507031](#) [57102-S06-03LF](#) [57202-S52-04LF](#) [PCN6-15S-2.5E](#) [0039019024](#) [58102-G61-06LF](#) [582553-1](#) [0009508121](#) [0050291907](#) [018731A](#) [LY20-4P-DT1-P1E-BR](#) [02.125.8002.8](#) [60101931](#) [60598-1 \(Cut Strip\)](#) [M1625-3R/100](#) [61062-3](#) [61082-181009](#) [636-1427](#) [638009-1](#) [641938-9](#) [641991-4](#) [644168-1](#) [647662-1](#) [65039-019ELF](#) [65817-002LF](#) [65817-015LF](#) [65863-015LF](#) [66207-023LF](#) [67016-026LF](#) [67046-001LF](#) [67095-007LF](#) [68002-116](#) [68016-236H](#) [68648-049](#)