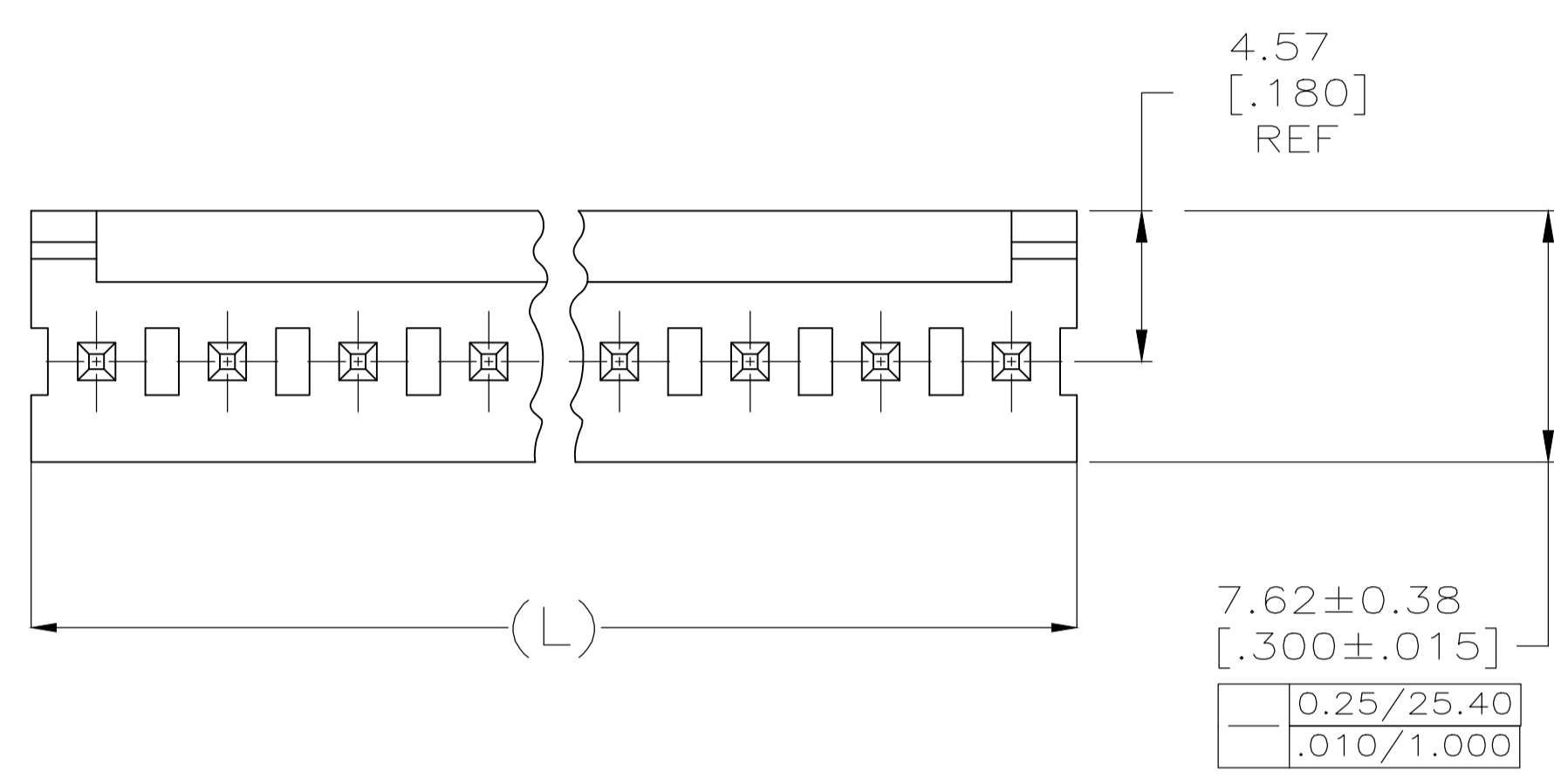
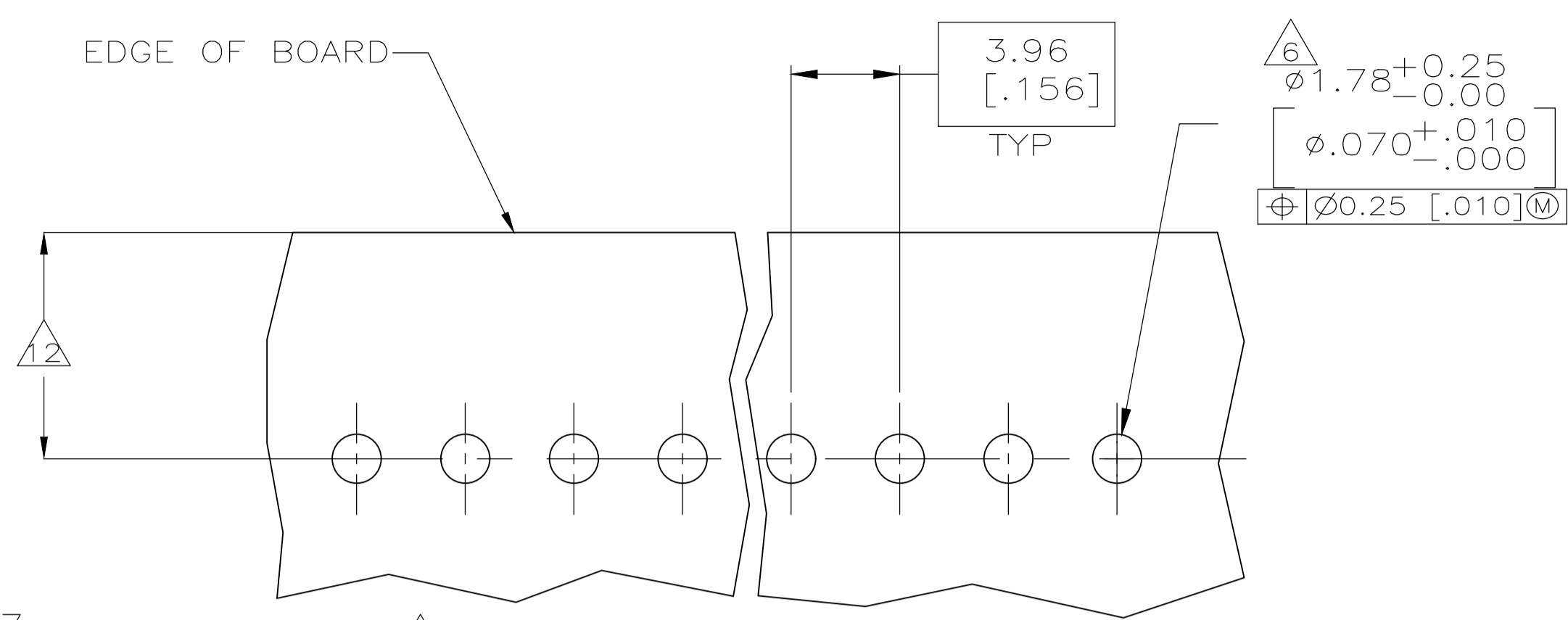
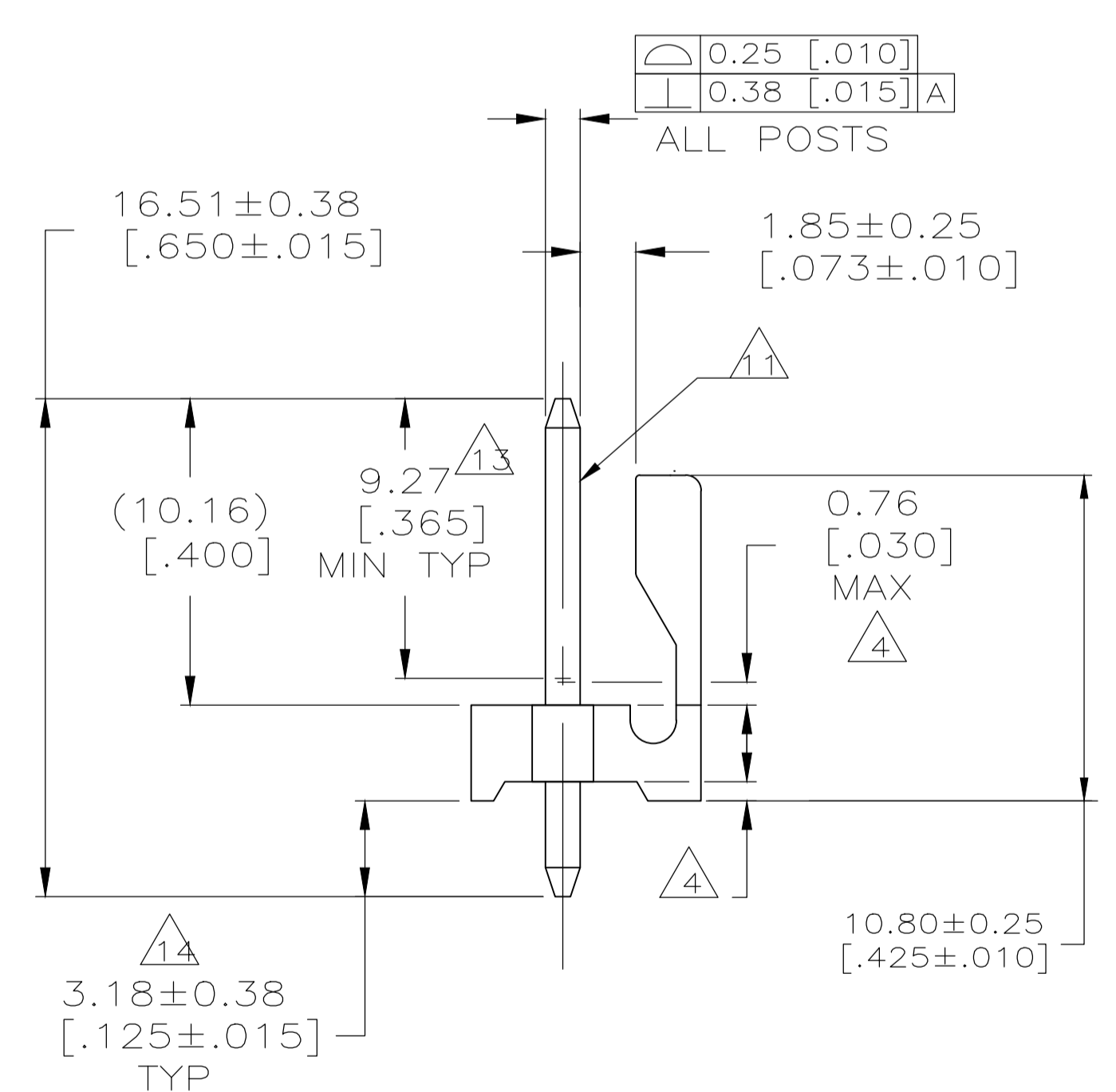
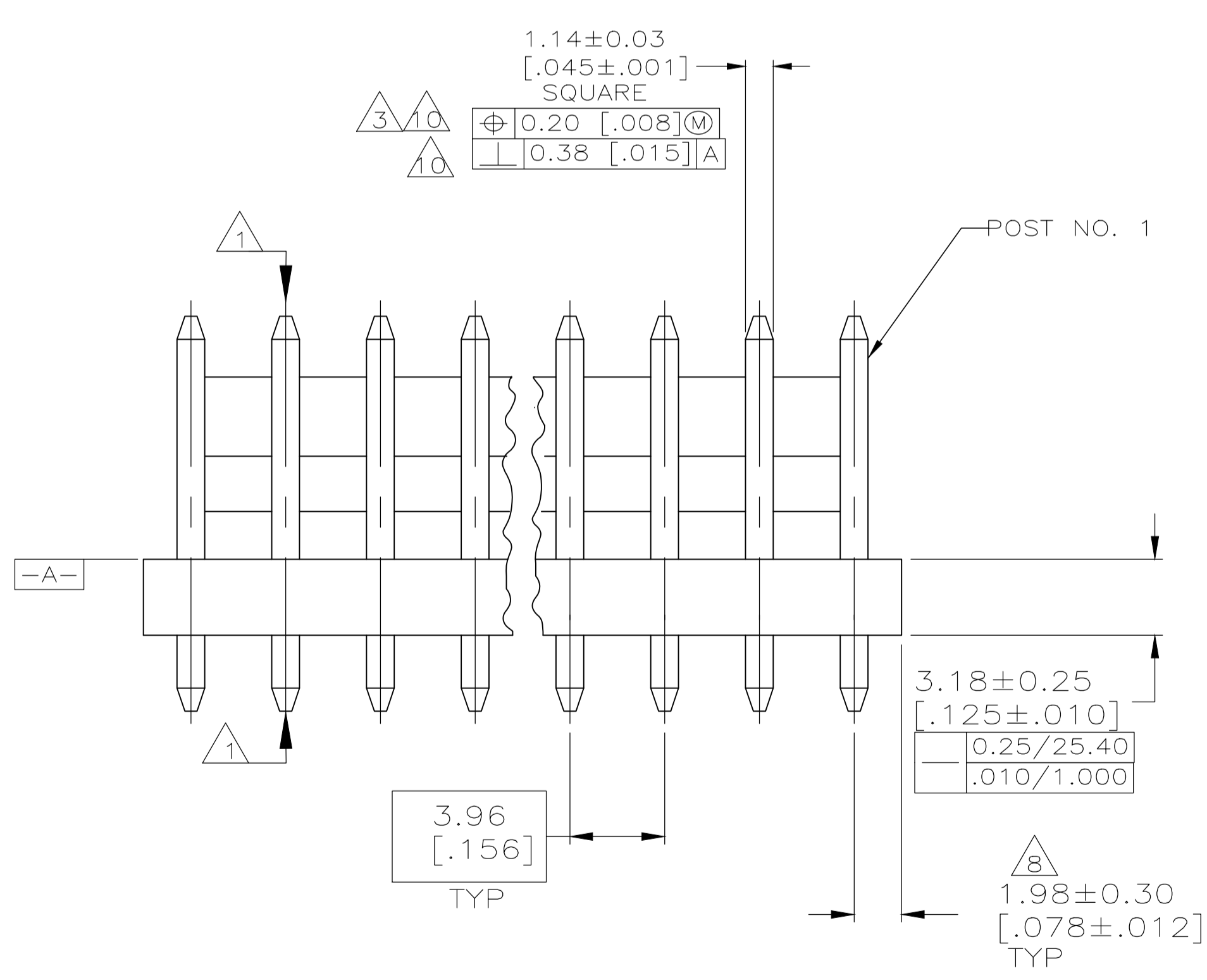


REVISIONS					
P	LTR	DESCRIPTION	DATE	BY	APPV
AC3		REVISED PER ECR-18-007590	21JUN2018	BDA	SG



RECOMMENDED MOUNTING HOLE PATTERN FOR 1.60 [.063] THICK P.C. BOARD



- 1 POST TO WITHSTAND 13 NEWTONS (3 LBS) MINIMUM AXIAL FORCE IN BOTH DIRECTIONS SHOWN WITHOUT DISLODGING.
- 2 TOLERANCES APPLY TO SOLDER SIDE OF BOARD.
- 3 MEASURED AT SURFACE -A-
- 4 PLASTIC FLASH PERMITTED IN THIS AREA.
- 5 PARTS COMPLY WITH AMP SOLDERABILITY SPEC. NO. 109-11-2.
- 6 ONE HOLE MAY BE UNDERSIZED 1.65/1.52 [.065/.060] DIA. FOR ASSEMBLY RETENTION DURING WAVE SOLDERING.
- 7 MATERIAL: HEADER-THERMOPLASTIC POLYESTER GLASS-FILLED 94V-0 (NATURAL) POST-COPPER ALLOY (SEE NOTES 13 & 14 FOR PLATING)
- 8 COORDINATE DIMENSION APPLIES FROM CENTER OF ACTUAL FEATURE.
- 9 PLASTIC BURRS CAUSED BY CUT-OFF TOOLING ARE PERMITTED WITHIN THE MAXIMUM TOLERANCE ENVELOPE.
- 10 POST TO BE MEASURED WHEN STRIP IS HELD FLAT.
- 11 POST MUST WITHSTAND TWO 90° BENDS AGAINST EXTRUSION WITHOUT BREAKING.
- 12 DIMENSION SHOULD BE 4.45 [.175] MIN WHEN MATING WITH A MTA-156 CONNECTOR ASSEMBLY OR A SL-156 CONNECTOR ASSEMBLY.
- 13 PLATING: GOLD PLATE AREA, 0.00076 [.000030] GOLD OR 0.00008 [.000003] MIN GOLD FLASH OVER 0.00068 [.000027] PALLADIUM NICKEL, PER TE CONNECTIVITY'S DISCRETION, ALL SIDES, OVER NICKEL UNDERPLATE, 0.00127 [.000050] MIN, ALL SIDES AND ENTIRE LENGTH OF POST.
- 14 PLATING: BRIGHT TIN/LEAD (93/7) PLATE AREA, 0.00381-0.00889 [.000150-.000350] THICK, ALL FOUR SIDES 3.18 [.125] MINIMUM FOR -2 THRU -24. MATTE TIN PLATE AREA 0.00381-0.00889 [.000150-.000350] THICK ALL FOUR SIDES, 3.18 [.125] FOR -32 THRU -54.
- 15 OBSOLETE PARTS: OBSOLETE CIS STREAMLINING PER D.RENAUD/D.SINISI
- 16 OBSOLETE PARTS
- 17 VALUES FOR UL 61800-5-1

Flam	RTIe deg C	HWI	HAI	CTI
VO	120	PLC1	PLC0	PLC3_UL746

LEAD FREE	DIM (L)			NO. OF POSN	ASSEMBLY	LEAD	DIM (L)			NO. OF POSN	ASSEMBLY
	1	2	3				1	2	3		
	95.10 [3.744]	24	5-641208-4			95.10 [3.744]	24	2-641208-4			
	91.14 [3.588]	23	5-641208-3			91.14 [3.588]	23	2-641208-3			
	87.17 [3.432]	22	5-641208-2			87.17 [3.432]	22	2-641208-2			
	83.21 [3.276]	21	5-641208-1			83.21 [3.276]	21	2-641208-1			
	79.25 [3.120]	20	5-641208-0			79.25 [3.120]	20	2-641208-0			
	75.29 [2.964]	19	4-641208-9			75.29 [2.964]	19	1-641208-9			
	71.32 [2.808]	18	4-641208-8			71.32 [2.808]	18	1-641208-8			
	67.36 [2.652]	17	4-641208-7			67.36 [2.652]	17	1-641208-7			
	63.40 [2.496]	16	4-641208-6			63.40 [2.496]	16	1-641208-6			
	59.44 [2.340]	15	4-641208-5			59.44 [2.340]	15	1-641208-5			
	55.47 [2.184]	14	4-641208-4			55.47 [2.184]	14	1-641208-4			
	51.51 [2.028]	13	4-641208-3			51.51 [2.028]	13	1-641208-3			
	47.55 [1.872]	12	4-641208-2			47.55 [1.872]	12	1-641208-2			
	43.59 [1.716]	11	4-641208-1			43.59 [1.716]	11	1-641208-1			
	39.62 [1.560]	10	4-641208-0			39.62 [1.560]	10	1-641208-0			
	35.66 [1.404]	9	3-641208-9			35.66 [1.404]	9	—641208-9			
	31.70 [1.248]	8	3-641208-8			31.70 [1.248]	8	—641208-8			
	27.74 [1.092]	7	3-641208-7			27.74 [1.092]	7	—641208-7			
	23.77 [.936]	6	3-641208-6			23.77 [.936]	6	641208-6			
	19.81 [.780]	5	3-641208-5			19.81 [.780]	5	—641208-5			
	15.85 [.624]	4	3-641208-4			15.85 [.624]	4	641208-4			
	11.89 [.468]	3	3-641208-3			11.89 [.468]	3	—641208-3			
	7.92 [.312]	2	3-641208-2			7.92 [.312]	2	—641208-2			
	DIM (L)	NO. OF POSN	ASSEMBLY			DIM (L)	NO. OF POSN	ASSEMBLY			

THIS DRAWING IS A CONTROLLED DOCUMENT.

DIMENSIONS: mm [INCHES]	TOLERANCES UNLESS OTHERWISE SPECIFIED:	DIN S. HOOVER 07-NOV-2002	TE Connectivity Ltd.
0 PLC ±	1 PLC ±	D. ROSSI 07-NOV-2002	NAME
2 PLC ±	3 PLC ±	D. ROSSI 07-NOV-2002	PRODUCT SPEC
4 PLC ±	ANGLES ±	APPLICATION SPEC	SIZE CASE CODE DRAWING NO
MATERIAL	FINISH	WEIGHT	A1 00779 C=641208
		CUSTOMER DRAWING	SCALE 5:1 SHEET 1 of 1 REV AC3

MTA-156 HDR ASSY,FRCTN LCK, STRAIGHT, .045 SQUARE POST .000030 GOLD

## X-ON Electronics

Largest Supplier of Electrical and Electronic Components

*Click to view similar products for [Headers & Wire Housings](#) category:*

*Click to view products by [TE Connectivity](#) manufacturer:*

Other Similar products are found below :

[892-18-020-10-001101](#) [58102-G61-06LF](#) [582553-1](#) [0009485154](#) [009176003701906](#) [0050291907](#) [LY20-4P-DT1-P1E-BR](#) [02.125.8002.8](#)  
[609-3404](#) [61062-3](#) [61082-181009](#) [622-3653LF](#) [63453-116](#) [636-1030](#) [636-1427](#) [636-3427](#) [636-4007](#) [641938-9](#) [641991-4](#) [644827-2](#) [65817-](#)  
[010LF](#) [65817-015LF](#) [65863-015LF](#) [66207-023LF](#) [67095-007LF](#) [67601157](#) [68645-018](#) [68648-049](#) [70.362.1628.0](#) [70-4210](#) [70-4226B](#) [70-](#)  
[4853B](#) [707-5020](#) [707-5028](#) [71.350.2428.0](#) [71918-208LF](#) [71961-016LF](#) [733-134](#) [733-162](#) [754199-000](#) [760-3052](#) [79531-3000](#) [FCN-](#)  
[360C032-B](#) [FCN-367T-T012/H](#) [FCN-723D010/2](#) [80.063.4001.1](#) [800-90-010-10-002000](#) [801-43-002-10-013000](#) [801-43-006-10-002000](#)  
[801-93-011-10-001000](#)