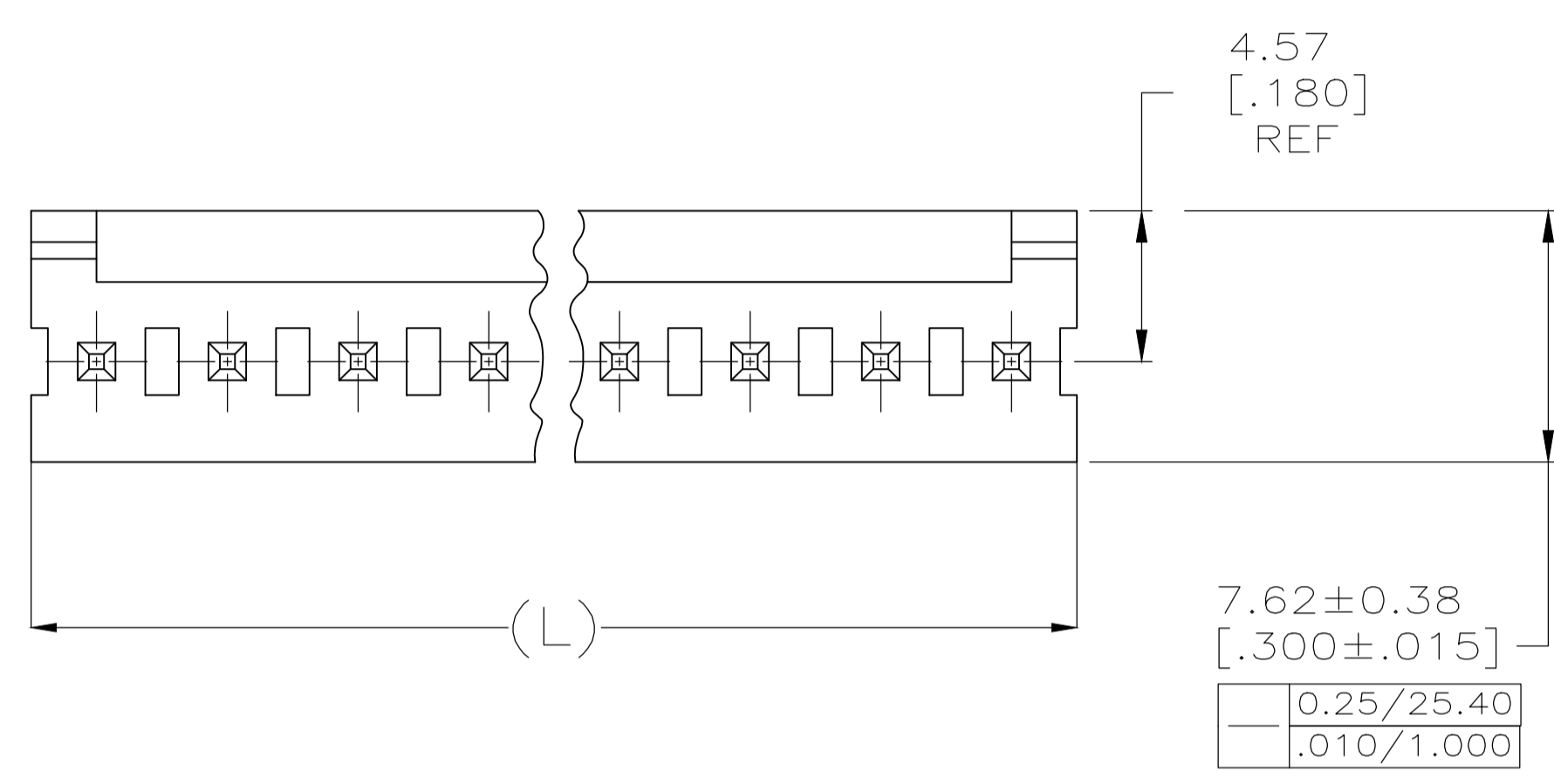
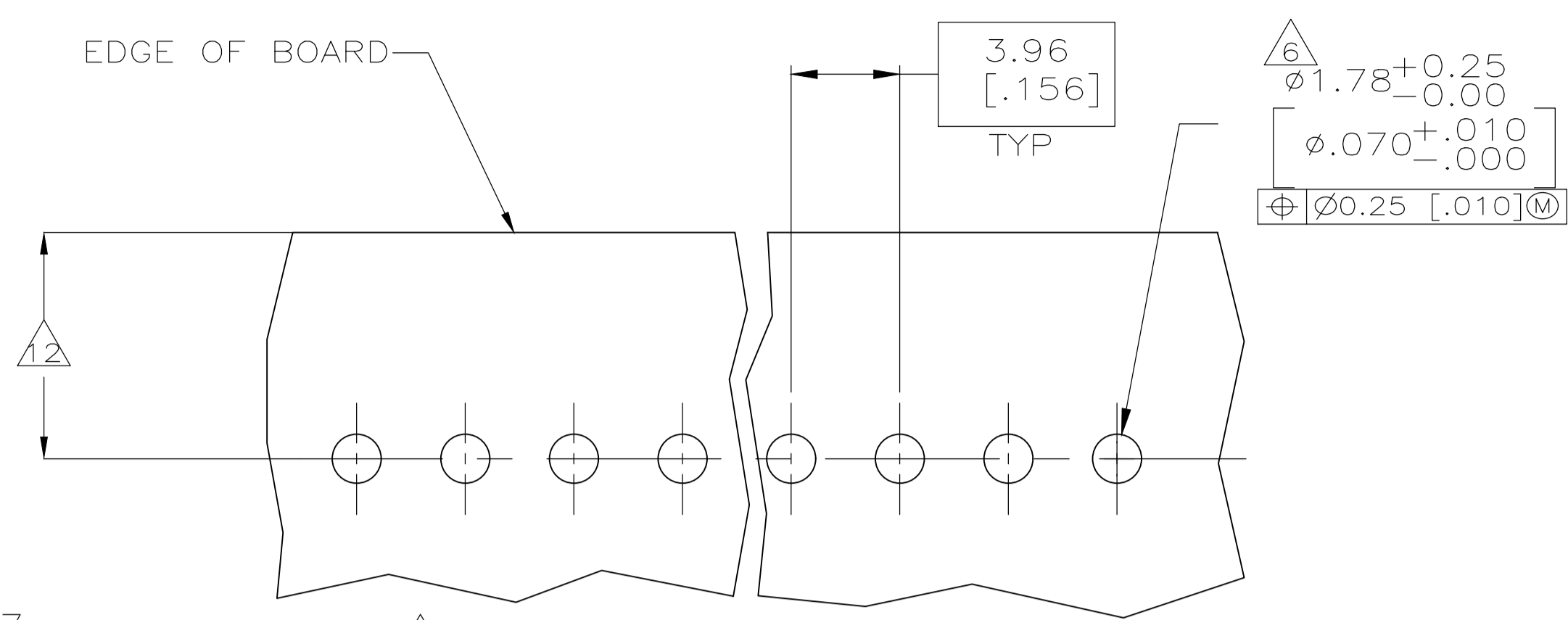
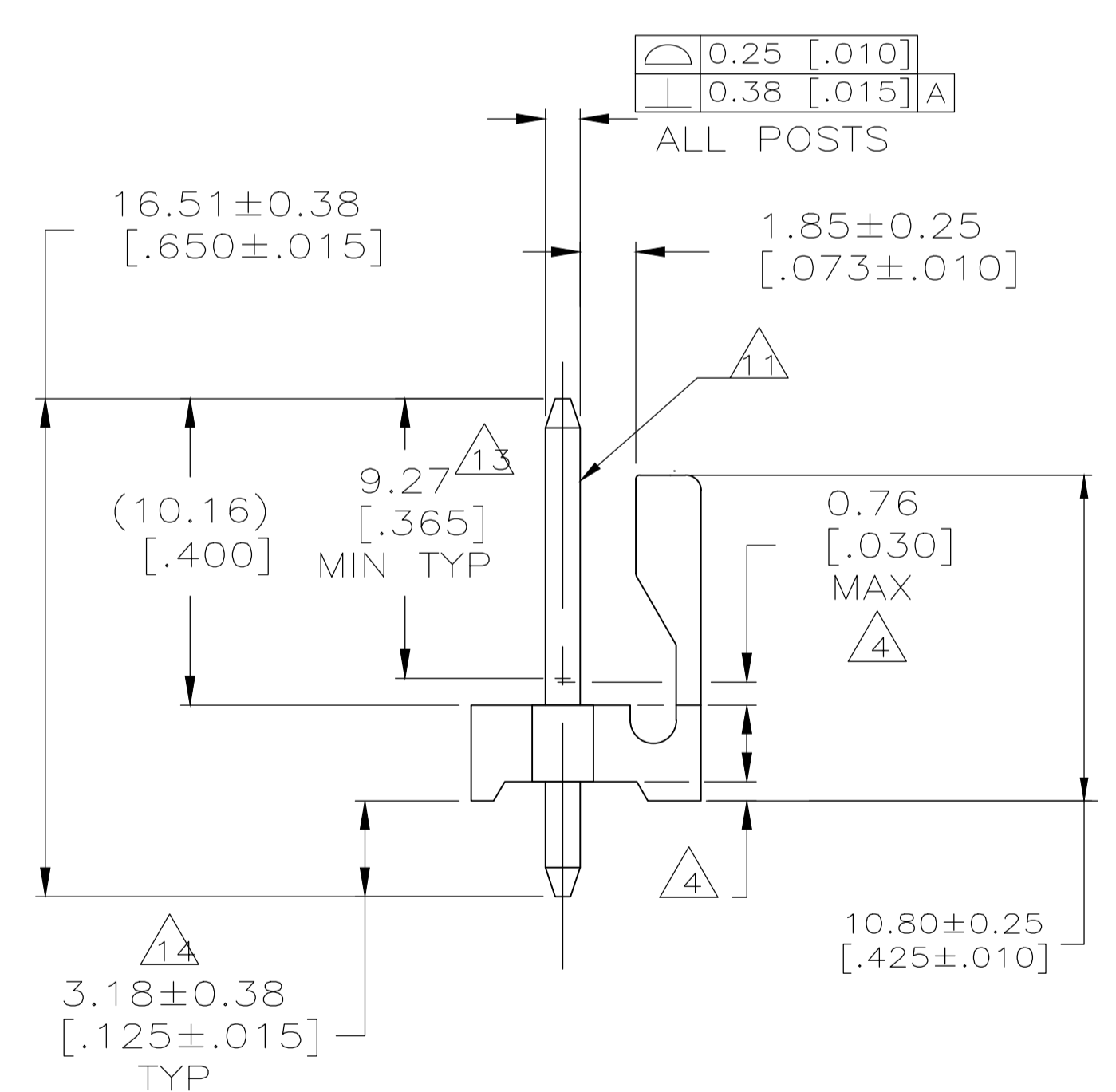
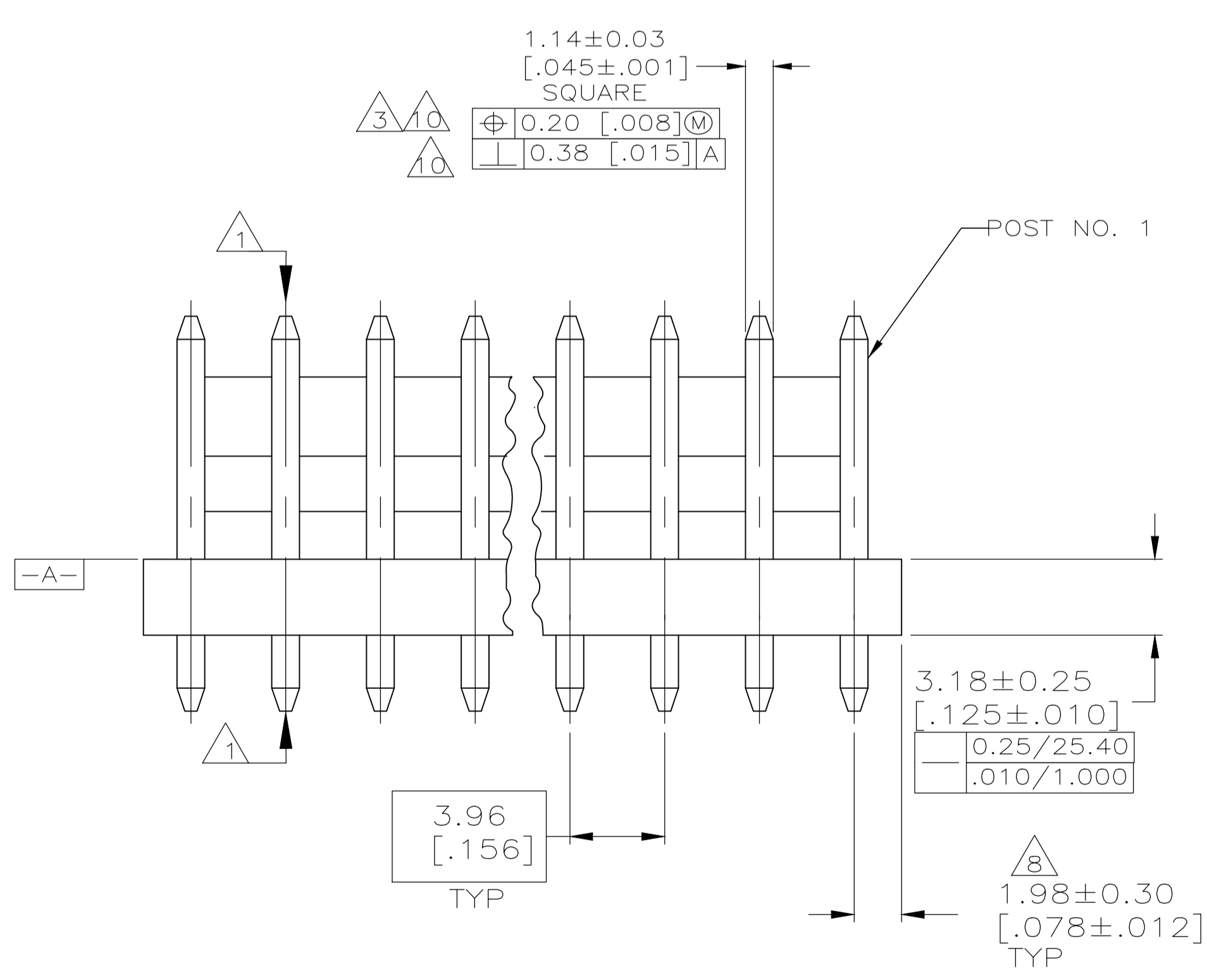


REVISIONS					
REV	DATE	DESCRIPTION	BY	APP'D	REV
AC3	21JUN2018	REVISED PER ECR-18-007590	BDA	SG	



RECOMMENDED MOUNTING HOLE PATTERN FOR 1.60 [.063] THICK P.C. BOARD



- 1 POST TO WITHSTAND 13 NEWTONS (3 LBS) MINIMUM AXIAL FORCE IN BOTH DIRECTIONS SHOWN WITHOUT DISLODGING.
- 2 TOLERANCES APPLY TO SOLDER SIDE OF BOARD.
- 3 MEASURED AT SURFACE -A-
- 4 PLASTIC FLASH PERMITTED IN THIS AREA.
- 5 PARTS COMPLY WITH AMP SOLDERABILITY SPEC. NO. 109-11-2.
- 6 ONE HOLE MAY BE UNDERSIZED 1.65/1.52 [.065/.060] DIA. FOR ASSEMBLY RETENTION DURING WAVE SOLDERING.
- 7 MATERIAL: HEADER-THERMOPLASTIC POLYESTER GLASS-FILLED 94V-0 (NATURAL) POST-COPPER ALLOY (SEE NOTES 13 & 14 FOR PLATING)
- 8 COORDINATE DIMENSION APPLIES FROM CENTER OF ACTUAL FEATURE.
- 9 PLASTIC BURRS CAUSED BY CUT-OFF TOOLING ARE PERMITTED WITHIN THE MAXIMUM TOLERANCE ENVELOPE.
- 10 POST TO BE MEASURED WHEN STRIP IS HELD FLAT.
- 11 POST MUST WITHSTAND TWO 90° BENDS AGAINST EXTRUSION WITHOUT BREAKING.
- 12 DIMENSION SHOULD BE 4.45 [.175] MIN WHEN MATING WITH A MTA-156 CONNECTOR ASSEMBLY OR A SL-156 CONNECTOR ASSEMBLY.
- 13 PLATING: GOLD PLATE AREA, 0.00076 [.000030] GOLD OR 0.00008 [.000003] MIN GOLD FLASH OVER 0.00068 [.000027] PALLADIUM NICKEL, PER TE CONNECTIVITY'S DISCRETION, ALL SIDES, OVER NICKEL UNDERPLATE, 0.00127 [.000050] MIN, ALL SIDES AND ENTIRE LENGTH OF POST.
- 14 PLATING: BRIGHT TIN/LEAD (93/7) PLATE AREA, 0.00381-0.00889 [.000150-.000350] THICK, ALL FOUR SIDES 3.18 [.125] MINIMUM FOR -2 THRU -24. MATTE TIN PLATE AREA 0.00381-0.00889 [.000150-.000350] THICK ALL FOUR SIDES, 3.18 [.125] FOR -32 THRU -54.
- 15 OBSOLETE PARTS: OBSOLETE CIS STREAMLINING PER D.RENAUD/D.SINISI
- 16 OBSOLETE PARTS
- 17 VALUES FOR UL 61800-5-1

Flam	RTIe deg C	HWI	HAI	CTI
VO	120	PLC1	PLC0	PLC3_UL746

DIM (L)	NO.OF POSN	ASSEMBLY	DIM (L)	NO.OF POSN	ASSEMBLY
95.10 [3.744]	24	5-641208-4	95.10 [3.744]	24	2-641208-4
91.14 [3.588]	23	5-641208-3	91.14 [3.588]	23	2-641208-3
87.17 [3.432]	22	5-641208-2	87.17 [3.432]	22	2-641208-2
83.21 [3.276]	21	5-641208-1	83.21 [3.276]	21	2-641208-1
79.25 [3.120]	20	5-641208-0	79.25 [3.120]	20	2-641208-0
75.29 [2.964]	19	4-641208-9	75.29 [2.964]	19	1-641208-9
71.32 [2.808]	18	4-641208-8	71.32 [2.808]	18	1-641208-8
67.36 [2.652]	17	4-641208-7	67.36 [2.652]	17	1-641208-7
63.40 [2.496]	16	4-641208-6	63.40 [2.496]	16	1-641208-6
59.44 [2.340]	15	4-641208-5	59.44 [2.340]	15	1-641208-5
55.47 [2.184]	14	4-641208-4	55.47 [2.184]	14	1-641208-4
51.51 [2.028]	13	4-641208-3	51.51 [2.028]	13	1-641208-3
47.55 [1.872]	12	4-641208-2	47.55 [1.872]	12	1-641208-2
43.59 [1.716]	11	4-641208-1	43.59 [1.716]	11	1-641208-1
39.62 [1.560]	10	4-641208-0	39.62 [1.560]	10	1-641208-0
35.66 [1.404]	9	3-641208-9	35.66 [1.404]	9	—641208-9
31.70 [1.248]	8	3-641208-8	31.70 [1.248]	8	—641208-8
27.74 [1.092]	7	3-641208-7	27.74 [1.092]	7	—641208-7
23.77 [.936]	6	3-641208-6	23.77 [.936]	6	641208-6
19.81 [.780]	5	3-641208-5	19.81 [.780]	5	—641208-5
15.85 [.624]	4	3-641208-4	15.85 [.624]	4	641208-4
11.89 [.468]	3	3-641208-3	11.89 [.468]	3	—641208-3
7.92 [.312]	2	3-641208-2	7.92 [.312]	2	—641208-2
DIM (L)	NO.OF POSN	ASSEMBLY	DIM (L)	NO.OF POSN	ASSEMBLY

THIS DRAWING IS A CONTROLLED DOCUMENT.

DIMENSIONS: mm [INCHES]	TOLERANCES UNLESS OTHERWISE SPECIFIED:	DIN S. HOOVER 07-NOV-2002	TE Connectivity Ltd.
0 PLC ±	1 PLC ±	APPROV D. ROSSI 07-NOV-2002	NAME
2 PLC ±	3 PLC ±	PRODUCT SPEC	MTA-156 HDR ASSY,FRCTN
4 PLC ±	ANGLES ±	APPLICATION SPEC	LCK, STRAIGHT, .045 SQUARE POST
MATERIAL	FINISH	WEIGHT	RESTRICTED TO
		A1 00779 641208	SCALE 5:1 SHEET 1 OF 1 REV AC3

## X-ON Electronics

Largest Supplier of Electrical and Electronic Components

*Click to view similar products for [Headers & Wire Housings](#) category:*

*Click to view products by [TE Connectivity](#) manufacturer:*

Other Similar products are found below :

[95000-104TRLF](#) [10135584-644402LF](#) [DF62W-EP2022PCA](#) [95000-106TRLF](#) [DF62W-2022SCA](#) [DF62W-EP2022PC](#) [2203348](#) [DF62W-2022SC](#) [1084018](#) [1029039](#) [1084017](#) [802-10-012-10-002000](#) [1112640](#) [1112639](#) [000-34000](#) [0009482033](#) [0009507031](#) [57102-S06-03LF](#) [57202-S52-04LF](#) [PCN6-15S-2.5E](#) [0039019024](#) [58102-G61-06LF](#) [582553-1](#) [0009508121](#) [0050291907](#) [018731A](#) [LY20-4P-DT1-P1E-BR](#) [02.125.8002.8](#) [60101931](#) [60598-1 \(Cut Strip\)](#) [M1625-3R/100](#) [61062-3](#) [61082-181009](#) [636-1427](#) [638009-1](#) [641938-9](#) [641991-4](#) [644168-1](#) [647662-1](#) [65039-019ELF](#) [65817-002LF](#) [65817-015LF](#) [65863-015LF](#) [66207-023LF](#) [67016-026LF](#) [67046-001LF](#) [67095-007LF](#) [68002-116](#) [68016-236H](#) [68648-049](#)