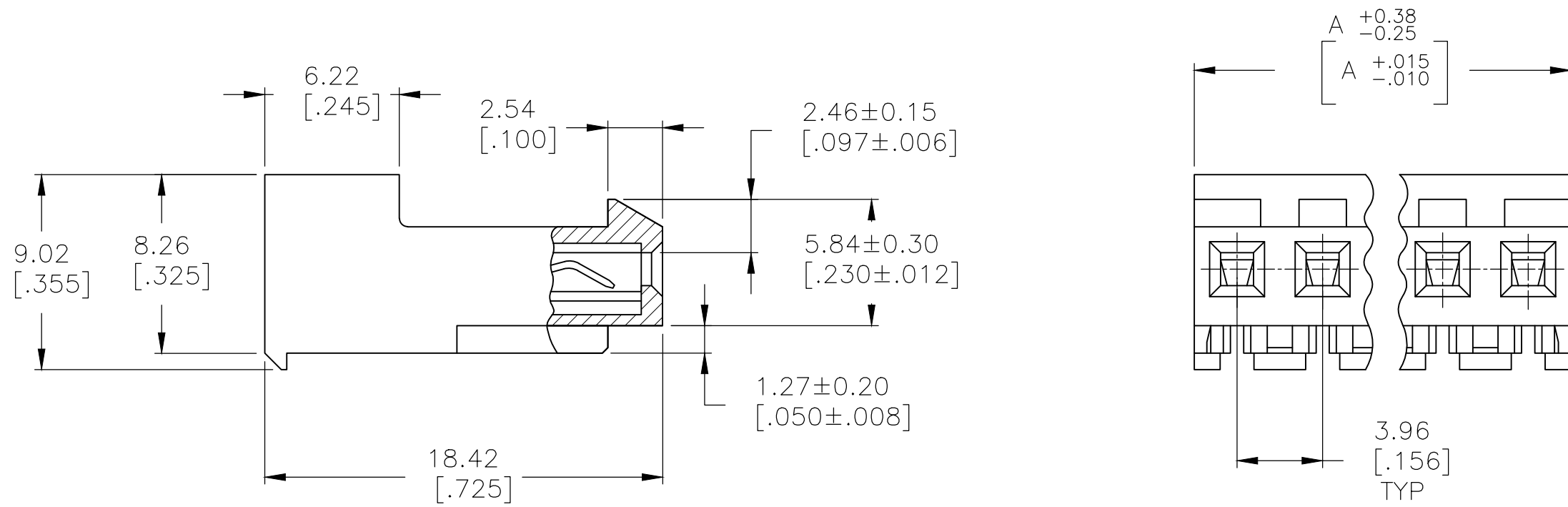
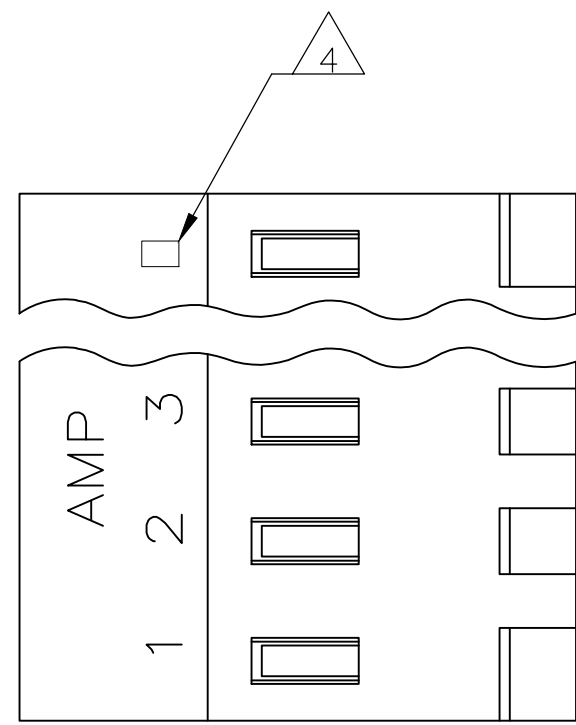


THIS DRAWING IS UNPUBLISHED. RELEASED FOR PUBLICATION
 © COPYRIGHT - By - TE CONNECTIVITY ALL RIGHTS RESERVED.

LOC	DIST	REVISIONS					
		P	LTR	DESCRIPTION	DATE	DWN	APVD
CM	54		U	REVISED PER ECR-20-000822	27MAY2020	PC	SW



1 MATERIAL: CONNECTOR - NYLON UL94V-2(RED).
 CONTACTS - 0.30[.012] THICK COPPER ALLOY
 0.00076[.000030] GOLD THK OR 0.00008[.000003] MIN THK
 GOLD FLASH OVER 0.00068[.000027] THK PALLADIUM NICKEL,
 PER TE CONNECTIVITY'S DISCRETION. IN CONTACT
 AREA WITH MATTE TIN FOR 641219-2
 THRU 2-641219-4, MATTE WHISKER MITIGATED TIN FOR 3-641219-2
 THRU 5-641219-4 OVER NICKEL UNDERPLATE.

2 CONTACTS ACCEPT 22 AWG WIRE WITH 2.41[.095] MAX
 INSULATION DIAMETER.

3 CONTACTS MUST ACCEPT 1.14±0.03 [.045±.001] SQUARE
 POST AND REMAIN LOCKED IN POSITION.

4 IDENTIFICATION NUMBER FOR LAST CIRCUIT MAY
 NOT APPEAR ON ALL ASSEMBLIES.

5 DIMENSIONS IN BRACKETS ARE IN INCHES.

6 HOUSING FEATURES ARE: CLOSED END WITH LOCKING
 RAMP.

7 OBSOLETE PARTS: OBSOLETE CIS STREAMLINING PER D.RENAUD/D.SINISI.

DIM A	NO OF CIRCUITS	PART NO
95.10 [3.744]	24	5-641219-4
91.14 [3.588]	23	5-641219-3
87.17 [3.432]	22	5-641219-2
83.21 [3.276]	21	5-641219-1
79.25 [3.120]	20	5-641219-0
75.29 [2.964]	19	4-641219-9
71.32 [2.808]	18	4-641219-8
67.36 [2.652]	17	4-641219-7
63.40 [2.496]	16	4-641219-6
59.44 [2.340]	15	4-641219-5
55.47 [2.184]	14	4-641219-4
51.51 [2.028]	13	4-641219-3
47.55 [1.872]	12	4-641219-2
43.59 [1.716]	11	4-641219-1
39.62 [1.560]	10	4-641219-0
35.66 [1.404]	9	3-641219-9
31.70 [1.248]	8	3-641219-8
27.74 [1.092]	7	3-641219-7
23.77 [.936]	6	3-641219-6
19.81 [.780]	5	3-641219-5
15.85 [.624]	4	3-641219-4
11.89 [.468]	3	3-641219-3
7.92 [.312]	2	3-641219-2

7	SUPERCEDED BY 5-641219-4	95.10 [3.744]	24	2-641219-4
7	SUPERCEDED BY 5-641219-3	91.14 [3.588]	23	2-641219-3
7	SUPERCEDED BY 5-641219-2	87.17 [3.432]	22	2-641219-2
7	SUPERCEDED BY 5-641219-1	83.21 [3.276]	21	2-641219-1
7	SUPERCEDED BY 5-641219-0	79.25 [3.120]	20	2-641219-0
7	SUPERCEDED BY 4-641219-9	75.29 [2.964]	19	1-641219-9
7	SUPERCEDED BY 4-641219-8	71.32 [2.808]	18	1-641219-8
7	SUPERCEDED BY 4-641219-7	67.36 [2.652]	17	1-641219-7
7	SUPERCEDED BY 4-641219-6	63.40 [2.496]	16	1-641219-6
7	SUPERCEDED BY 4-641219-5	59.44 [2.340]	15	1-641219-5
7	SUPERCEDED BY 4-641219-4	55.47 [2.184]	14	1-641219-4
7	SUPERCEDED BY 4-641219-3	51.51 [2.028]	13	1-641219-3
	OBSOLETE	47.55 [1.872]	12	1-641219-2
7	SUPERCEDED BY 4-641219-1	43.59 [1.716]	11	1-641219-1
7	SUPERCEDED BY 4-641219-0	39.62 [1.560]	10	1-641219-0
	OBSOLETE	35.66 [1.404]	9	-641219-9
	OBSOLETE	31.70 [1.248]	8	-641219-8
	OBSOLETE	27.74 [1.092]	7	-641219-7
7	SUPERCEDED BY 3-641219-6	23.77 [.936]	6	641219-6
	OBSOLETE	19.81 [.780]	5	-641219-5
	OBSOLETE	15.85 [.624]	4	-641219-4
	OBSOLETE	11.89 [.468]	3	-641219-3
	OBSOLETE	7.92 [.312]	2	-641219-2

DIM A	NO OF CIRCUITS	PART NO
-------	----------------	---------

THIS DRAWING IS A CONTROLLED DOCUMENT.

DWN: B. LEWIS 12 FEB 91
 CHK: R. SWING 12 FEB 91
 APVD: D. CLARK 20 FEB 91

TE Connectivity
 MTA-156 CONNECTOR ASSEMBLY,
 22 AWG, STANDARD

108-1051
 114-1020

SIZE: A2 CAGE CODE: 00779 DRAWING NO: 641219

SCALE: 4:1 SHEET: 1 OF 1 REV: U

X-ON Electronics

Largest Supplier of Electrical and Electronic Components

Click to view similar products for [Headers & Wire Housings](#) category:

Click to view products by [TE Connectivity](#) manufacturer:

Other Similar products are found below :

[95000-104TRLF](#) [10135584-644402LF](#) [DF62W-EP2022PCA](#) [95000-106TRLF](#) [DF62W-2022SCA](#) [DF62W-EP2022PC](#) [2203348](#) [DF62W-2022SC](#) [1084018](#) [1029039](#) [1084017](#) [802-10-012-10-002000](#) [1112640](#) [1112639](#) [000-34000](#) [0009482033](#) [0009507031](#) [57102-S06-03LF](#) [57202-S52-04LF](#) [PCN6-15S-2.5E](#) [0039019024](#) [58102-G61-06LF](#) [582553-1](#) [0009508121](#) [0050291907](#) [018731A](#) [LY20-4P-DT1-P1E-BR](#) [02.125.8002.8](#) [60101931](#) [60598-1 \(Cut Strip\)](#) [M1625-3R/100](#) [61062-3](#) [61082-181009](#) [636-1427](#) [638009-1](#) [641938-9](#) [641991-4](#) [644168-1](#) [647662-1](#) [65039-019ELF](#) [65817-002LF](#) [65817-015LF](#) [65863-015LF](#) [66207-023LF](#) [67016-026LF](#) [67046-001LF](#) [67095-007LF](#) [68002-116](#) [68016-236H](#) [68648-049](#)