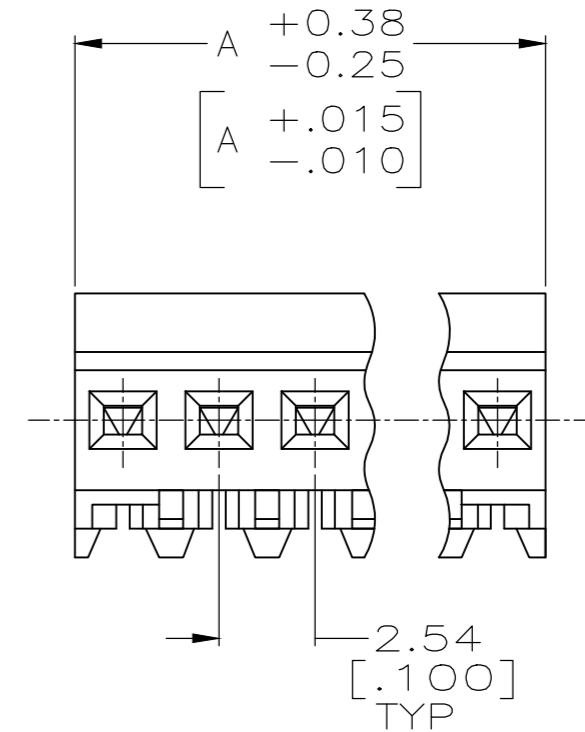
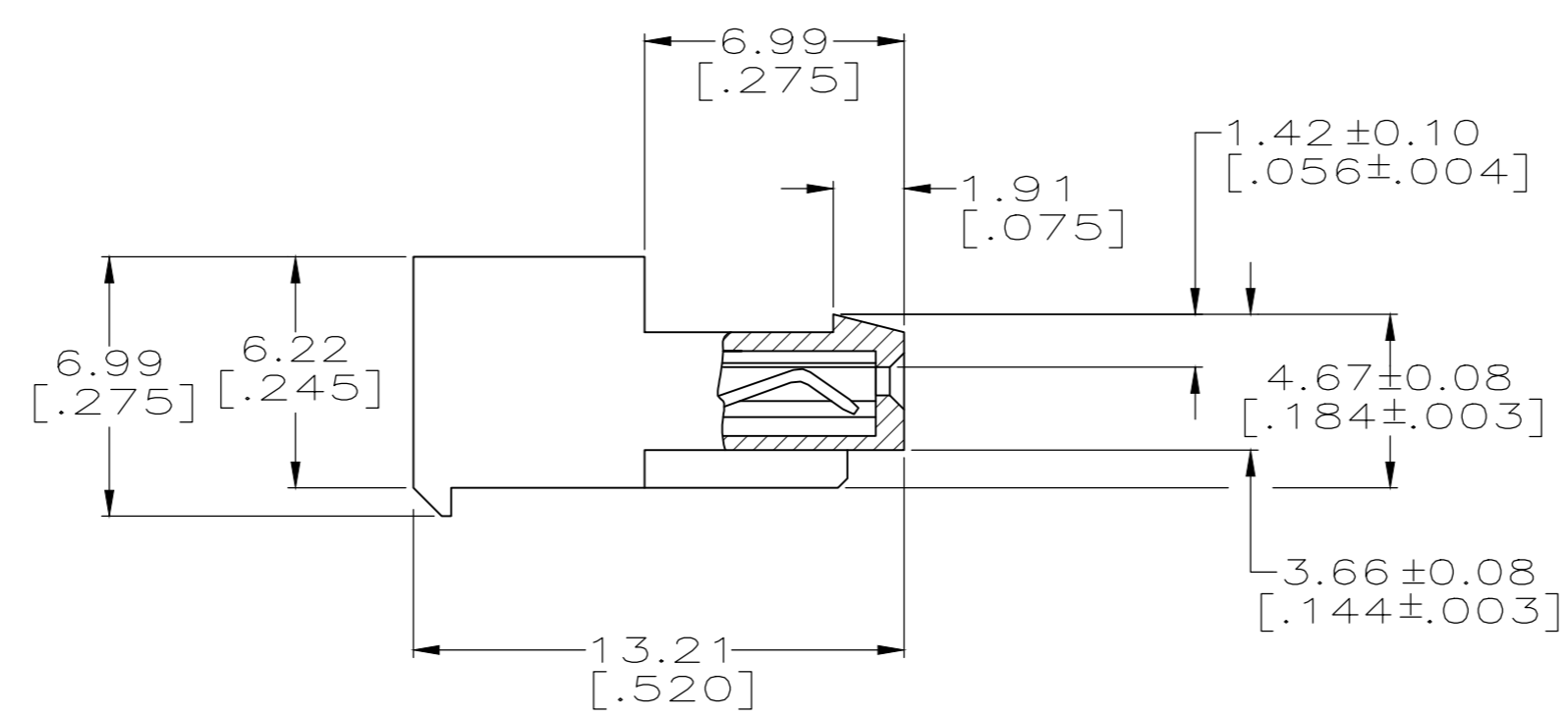
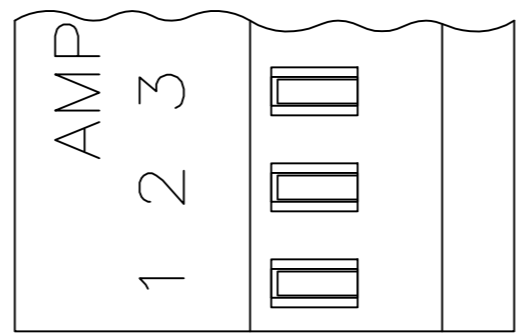
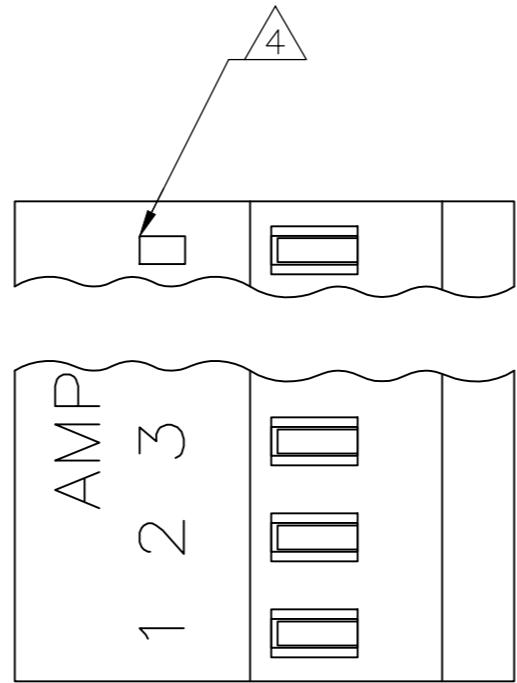


THIS DRAWING IS UNPUBLISHED. RELEASED FOR PUBLICATION
 © COPYRIGHT - By - ALL RIGHTS RESERVED.

LOC		DIST		REVISIONS			
P	LTR	DESCRIPTION		DATE	DWN	APVD	
CM	00	V		REVISED PER ECR-20-000721	04MAR2020	PC	SW

D	YES	DIM	NO. OF CIRCUITS	PART NO.
	YES	71.12[2.800]	28	5-641238-8
	YES	68.58[2.700]	27	5-641238-7
	YES	66.04[2.600]	26	5-641238-6
	YES	63.50[2.500]	25	5-641238-5
	YES	60.96[2.400]	24	5-641238-4
	YES	58.42[2.300]	23	5-641238-3
	YES	55.88[2.200]	22	5-641238-2
	YES	53.34[2.100]	21	5-641238-1
	YES	50.80[2.000]	20	5-641238-0
	YES	48.26[1.900]	19	4-641238-9
	YES	45.72[1.800]	18	4-641238-8
	YES	43.18[1.700]	17	4-641238-7
	YES	40.64[1.600]	16	4-641238-6
	YES	38.10[1.500]	15	4-641238-5
	YES	35.56[1.400]	14	4-641238-4
	YES	33.02[1.300]	13	4-641238-3
	YES	30.48[1.200]	12	4-641238-2
	YES	27.94[1.100]	11	4-641238-1
	YES	25.40[1.000]	10	4-641238-0
	YES	22.86[.900]	9	3-641238-9
	YES	20.32[.800]	8	3-641238-8
	YES	17.78[.700]	7	3-641238-7
	YES	15.24[.600]	6	3-641238-6
	YES	12.70[.500]	5	3-641238-5
	YES	10.16[.400]	4	3-641238-4
	YES	7.62[.300]	3	3-641238-3
	YES	5.08[.200]	2	3-641238-2



B	NO	DIM	NO. OF CIRCUITS	PART NO.	REASON
	NO	71.12[2.800]	28	2-641238-8	SUPERSEDED BY 5-641238-8
	NO	68.58[2.700]	27	2-641238-7	SUPERSEDED BY 5-641238-7
	NO	66.04[2.600]	26	2-641238-6	SUPERSEDED BY 5-641238-6
	NO	63.50[2.500]	25	2-641238-5	SUPERSEDED BY 5-641238-5
	NO	60.96[2.400]	24	2-641238-4	SUPERSEDED BY 5-641238-4
	NO	58.42[2.300]	23	2-641238-3	SUPERSEDED BY 5-641238-3
	NO	55.88[2.200]	22	2-641238-2	SUPERSEDED BY 5-641238-2
	NO	53.34[2.100]	21	2-641238-1	SUPERSEDED BY 5-641238-1
	NO	50.80[2.000]	20	2-641238-0	SUPERSEDED BY 5-641238-0
	NO	48.26[1.900]	19	1-641238-9	SUPERSEDED BY 4-641238-9
	NO	45.72[1.800]	18	1-641238-8	SUPERSEDED BY 4-641238-8
	NO	43.18[1.700]	17	1-641238-7	SUPERSEDED BY 4-641238-7
	NO	40.64[1.600]	16	1-641238-6	SUPERSEDED BY 4-641238-6
	NO	38.10[1.500]	15	1-641238-5	SUPERSEDED BY 4-641238-5
	NO	35.56[1.400]	14	1-641238-4	8
	NO	33.02[1.300]	13	1-641238-3	SUPERSEDED BY 4-641238-3
	NO	30.48[1.200]	12	1-641238-2	8
	NO	27.94[1.100]	11	1-641238-1	8
	NO	25.40[1.000]	10	1-641238-0	8
	NO	22.86[.900]	9	-641238-9	8
	NO	20.32[.800]	8	-641238-8	8
	NO	17.78[.700]	7	-641238-7	8
	NO	15.24[.600]	6	-641238-6	8
	NO	12.70[.500]	5	-641238-5	8
	NO	10.16[.400]	4	-641238-4	8
	NO	7.62[.300]	3	-641238-3	8
	NO	5.08[.200]	2	-641238-2	8

A	NO	DIM	NO. OF CIRCUITS	PART NO.	REASON
	NO	71.12[2.800]	28	2-641238-8	SUPERSEDED BY 5-641238-8
	NO	68.58[2.700]	27	2-641238-7	SUPERSEDED BY 5-641238-7
	NO	66.04[2.600]	26	2-641238-6	SUPERSEDED BY 5-641238-6
	NO	63.50[2.500]	25	2-641238-5	SUPERSEDED BY 5-641238-5
	NO	60.96[2.400]	24	2-641238-4	SUPERSEDED BY 5-641238-4
	NO	58.42[2.300]	23	2-641238-3	SUPERSEDED BY 5-641238-3
	NO	55.88[2.200]	22	2-641238-2	SUPERSEDED BY 5-641238-2
	NO	53.34[2.100]	21	2-641238-1	SUPERSEDED BY 5-641238-1
	NO	50.80[2.000]	20	2-641238-0	SUPERSEDED BY 5-641238-0
	NO	48.26[1.900]	19	1-641238-9	SUPERSEDED BY 4-641238-9
	NO	45.72[1.800]	18	1-641238-8	SUPERSEDED BY 4-641238-8
	NO	43.18[1.700]	17	1-641238-7	SUPERSEDED BY 4-641238-7
	NO	40.64[1.600]	16	1-641238-6	SUPERSEDED BY 4-641238-6
	NO	38.10[1.500]	15	1-641238-5	SUPERSEDED BY 4-641238-5
	NO	35.56[1.400]	14	1-641238-4	8
	NO	33.02[1.300]	13	1-641238-3	SUPERSEDED BY 4-641238-3
	NO	30.48[1.200]	12	1-641238-2	8
	NO	27.94[1.100]	11	1-641238-1	8
	NO	25.40[1.000]	10	1-641238-0	8
	NO	22.86[.900]	9	-641238-9	8
	NO	20.32[.800]	8	-641238-8	8
	NO	17.78[.700]	7	-641238-7	8
	NO	15.24[.600]	6	-641238-6	8
	NO	12.70[.500]	5	-641238-5	8
	NO	10.16[.400]	4	-641238-4	8
	NO	7.62[.300]	3	-641238-3	8
	NO	5.08[.200]	2	-641238-2	8

1 MATERIAL: CONNECTOR - NYLON UL94V-2 (WHITE).
 CONTACTS - 0.30[.012] THICK COPPER ALLOY
 0.00076 [.000030] GOLD) OR 0.00076[.000030]
 TOTAL GOLD FLASH OVER PALLADIUM NICKEL,
 PER TE CONNECTIVITY'S DISCRETION, IN CONTACT
 AREA WITH MATTE TIN FOR 641238-2
 THRU 2-641238-8, MATTE WHISKER MITIGATED TIN
 FOR 3-641238-2 THRU 5-641238-8 OVER
 NICKEL UNDERPLATE.

2. CONTACTS ACCEPT 24 AWG WIRE WITH 1.52[.060] MAX INSULATION
 DIAMETER.
 3. CONTACTS MUST ACCEPT 0.64±0.03 [.025±.001] SQUARE POST AND REMAIN LOCKED IN
 POSITION.

4 IDENTIFICATION NUMBER FOR LAST CIRCUIT MAY NOT APPEAR ON ALL ASSEMBLIES.

5. DIMENSIONS IN BRACKETS ARE IN INCHES.

6. HOUSING FEATURES ARE: CLOSED END WITH LOCKING RAMP.

7 OBSOLETE PARTS: OBSOLETE CIS STREAMLINING PER D.RENAUD/D.SINISI

8 OBSOLETE PART NUMBER

THIS DRAWING IS A CONTROLLED DOCUMENT.		DWN S. CARPENTER 07AUG2003	TE Connectivity	
DIMENSIONS: mm [INCHES]		CHK D. BOSSI 07AUG2003		
TOLERANCES UNLESS OTHERWISE SPECIFIED:		APVD D. BOSSI 07AUG2003	NAME MTA-100 CONNECTOR ASSEMBLY, 24 AWG, STANDARD	
0 PLC ±		PRODUCT SPEC 108-1050	SIZE A2	
1 PLC ±		APPLICATION SPEC 114-1019	CAGE CODE 00779	DRAWING NO C=641238
2 PLC ±		MATERIAL 1	RESTRICTED TO -	SCALE 5:1
3 PLC ± 0.13 [.005]		FINISH 1	SHEET 1 of 1	REV V
4 PLC ±		CUSTOMER DRAWING		
ANGLES ±		SCALE 5:1 SHEET 1 of 1 REV V		

A/C BUSINESS GROUP 3323 177-34 NICK GANNON

641238

X-ON Electronics

Largest Supplier of Electrical and Electronic Components

Click to view similar products for [Headers & Wire Housings](#) category:

Click to view products by [TE Connectivity](#) manufacturer:

Other Similar products are found below :

[95000-104TRLF](#) [10135584-644402LF](#) [DF62W-EP2022PCA](#) [95000-106TRLF](#) [DF62W-2022SCA](#) [DF62W-EP2022PC](#) [2203348](#) [DF62W-2022SC](#) [1084018](#) [1029039](#) [1084017](#) [802-10-012-10-002000](#) [1112640](#) [1112639](#) [000-34000](#) [0009482033](#) [0009507031](#) [57102-S06-03LF](#) [57202-S52-04LF](#) [PCN6-15S-2.5E](#) [0039019024](#) [58102-G61-06LF](#) [582553-1](#) [0009508121](#) [0050291907](#) [018731A](#) [LY20-4P-DT1-P1E-BR](#) [02.125.8002.8](#) [60101931](#) [60598-1 \(Cut Strip\)](#) [M1625-3R/100](#) [61062-3](#) [61082-181009](#) [636-1427](#) [638009-1](#) [641938-9](#) [641991-4](#) [644168-1](#) [647662-1](#) [65039-019ELF](#) [65817-002LF](#) [65817-015LF](#) [65863-015LF](#) [66207-023LF](#) [67016-026LF](#) [67046-001LF](#) [67095-007LF](#) [68002-116](#) [68016-236H](#) [68648-049](#)