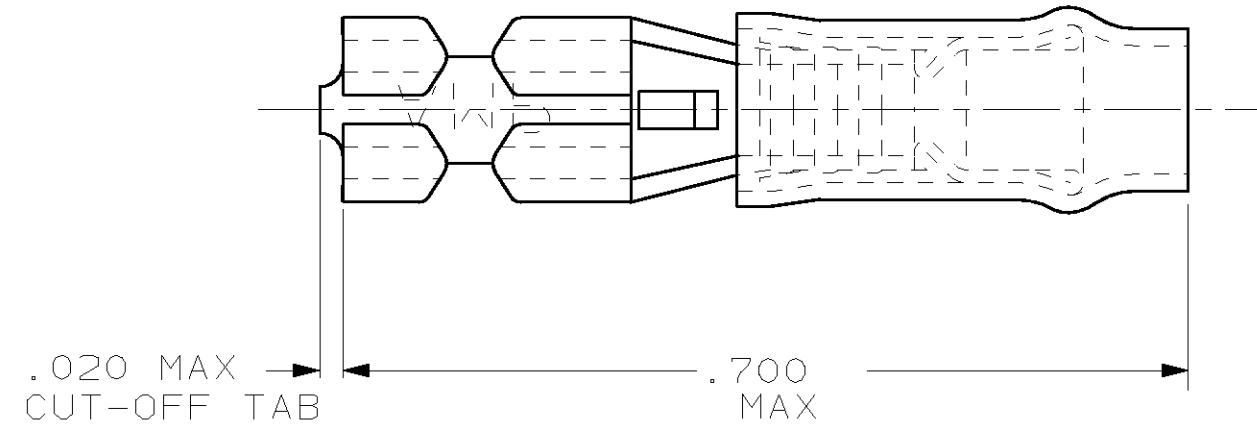
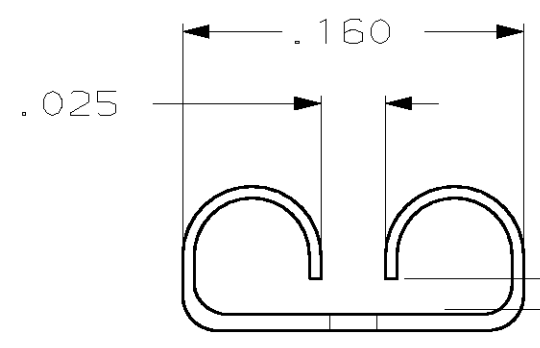
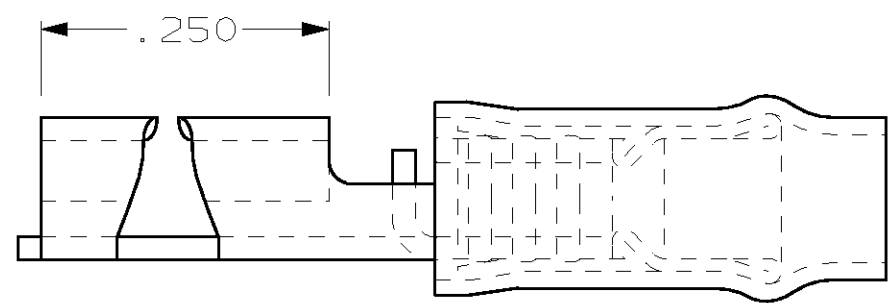


THIS DRAWING IS UNPUBLISHED. RELEASED FOR PUBLICATION ,19 .
 © COPYRIGHT 19 BY AMP INCORPORATED. ALL RIGHTS RESERVED.

LOC		DIST		REVISIONS			
P	LTR	DESCRIPTION		DATE	DWN	APVD	
G	14	G	REV PER 0G3A-0176-02	08APR02	JR	TM	



- 1. INSULATION DIA .082 MAX
- 2. FITS TAB .020±.001



- FITS "110" SERIES FASTON TAB
 (REFER TO CP-16000 FOR TAB DETAILS)

QTY	PACKAGE TYPE	PART NO
-	-	-
-	TAPE MOUNTED	641324-2
-	LOOSE PIECE	641324-1

AMP INCORPORATED
CUSTOMER SERVICE SYSTEM

FOR ADDITIONAL PRODUCT INFORMATION OR COPIES OF DRAWINGS AND TECHNICAL DOCUMENTS	PRODUCT INFORMATION CENTER 1-800-522-6752
FOR APPLICATION TOOLING INFORMATION	TOOLING ASSISTANCE CENTER 1-800-722-1111
FOR ORDER ENTRY	1-800-526-5142

MAX RECOMMENDED OPERATING TEMPERATURE:
-

VOLTAGE RATING:
-

CIRCULAR MIL AREA:
-

THIS DRAWING IS A CONTROLLED DOCUMENT FOR AMP INCORPORATED. IT IS SUBJECT TO CHANGE AND THE CONTROLLING ENGINEERING ORGANIZATION SHOULD BE CONTACTED FOR THE LATEST REVISION.

DIMENSIONS, INCHES	TOLERANCES UNLESS OTHERWISE SPECIFIED:
	0 PLC ±-
	1 PLC ±-
	2 PLC ±.015
	3 PLC ±-
	4 PLC ±-
	ANGLES ±-

MATERIAL: BODY, BRASS .016
 SLV, NYLON, COLOR, YELLOW

FINISH: BODY, PRE-TIN

DWN	L OLMEDA	13NOV95
CHK	M ELLIS	15NOV95
APVD	B BARE	15NOV95
PRODUCT SPEC	-	-
APPLICATION SPEC	-	-
WEIGHT	-	-

CUSTOMER DRAWING

AMP AMP Incorporated
 Harrisburg, PA 17105-3608

NAME: RECEPTACLE, 110 SERIES, FASTON, PIDG, WIRE SIZE, 26-24 AWG

SIZE	CAGE CODE	DRAWING NO
A3	00779	C-641324

SCALE: NT5 SHEET: 1 OF 1 REV: G

X-ON Electronics

Largest Supplier of Electrical and Electronic Components

Click to view similar products for [Terminals](#) category:

Click to view products by [TE Connectivity](#) manufacturer:

Other Similar products are found below :

[00-054007-01074-6](#) [00-054007-70206-1](#) [00-054007-70210-8](#) [00-054007-70217-7](#) [00-054007-70226-9](#) [00-054007-70228-3](#) [00-054007-70248-1](#) [00-054007-70256-6](#) [00-054007-70301-3](#) [00-054007-70316-7](#) [0-0320562-0](#) [00-054007-49560-4](#) [00-054007-70209-2](#) [00-054007-70225-2](#) [00-054007-70227-6](#) [00-054007-70231-3](#) [00-054007-70241-2](#) [00-054007-70242-9](#) [00-054007-70244-3](#) [00-054007-70246-7](#) [00-054007-70263-4](#) [00-054007-70288-7](#) [00-054007-70290-0](#) [00-054007-70300-6](#) [00-054007-70304-4](#) [01-2065-1-0216](#) [01-2900-1-04412](#) [00581P0075](#) [600TS-10](#) [60205-1](#) [604200-1](#) [605601-1](#) [60598-1-CUT-TAPE](#) [61314-6-C](#) [61810-3](#) [61-S](#) [61-SN](#) [626-0194](#) [62-NBM-A](#) [62-SN](#) [62-SP](#) [63-S](#) [640179-1](#) [M55155/059I03](#) [M55155/079C01](#) [M55155/099H02](#) [M55155/109H01](#) [M55155/109H02](#) [M55155/12XH05](#) [M55155/16XH02](#)