

CUSTOMER DRAWING		SCALE 5:1	SHEET 1 OF 1	REV H3
DRAWING NO. 641436		SIZE A1	DATE 10JAN2018	BY BDA/SG
NAME MTA 156		PRODUCT SPEC. POSTED CONNECTOR ASSEMBLY, 20 AWG	DESCRIPTION	DATE
TE Connectivity		APPLICATOR SPEC.	APPLICATOR SPEC.	DATE
DIMENSIONS: mm (INCHES)		FINISH	FINISH	DATE
TOLERANCES UNLESS OTHERWISE SPECIFIED:		0 PLS ±	0 PLS ±	DATE
K. SALMON		1 PLS ±	1 PLS ±	DATE
R. SWING		2 PLS ±	2 PLS ±	DATE
10-22-91		3 PLS ±	3 PLS ±	DATE
THIS DRAWING IS A CONTROLLED DOCUMENT.		4 PLS ±	4 PLS ±	DATE
SEE NOTE 1		5 PLS ±	5 PLS ±	DATE
SEE NOTE 1		6 PLS ±	6 PLS ±	DATE
MATERIAL		7 PLS ±	7 PLS ±	DATE
WEIGHT		8 PLS ±	8 PLS ±	DATE

PART NUMBER	NO. OF CIRCUITS	FINISH		
		A	B	C
5-641436-4	24	99.06 [3.900]	95.20 [3.748]	91.14 [3.588]
4-641436-5	15	63.40 [2.496]	59.54 [2.344]	55.47 [2.184]
4-641436-2	12	51.51 [2.028]	47.65 [1.876]	43.59 [1.716]
3-641436-9	9	39.62 [1.560]	35.76 [1.408]	31.70 [1.248]
3-641436-6	6	27.74 [1.092]	23.88 [.940]	19.81 [.780]
3-641436-4	4	19.81 [.780]	15.95 [.628]	11.89 [.468]
3-641436-3	3	15.85 [.624]	11.99 [.472]	7.92 [.312]
3-641436-2	2	11.89 [.468]	8.03 [.316]	3.96 [.156]

PART NUMBER	NO. OF CIRCUITS	FINISH		
		A	B	C
5-641436-4	24	99.06 [3.900]	95.20 [3.748]	91.14 [3.588]
4-641436-5	15	63.40 [2.496]	59.54 [2.344]	55.47 [2.184]
4-641436-2	12	51.51 [2.028]	47.65 [1.876]	43.59 [1.716]
3-641436-9	9	39.62 [1.560]	35.76 [1.408]	31.70 [1.248]
3-641436-6	6	27.74 [1.092]	23.88 [.940]	19.81 [.780]
3-641436-4	4	19.81 [.780]	15.95 [.628]	11.89 [.468]
3-641436-3	3	15.85 [.624]	11.99 [.472]	7.92 [.312]
3-641436-2	2	11.89 [.468]	8.03 [.316]	3.96 [.156]

1 MATERIAL: CONNECTOR- NYLON UL94V-2 (YELLOW); CONTACTS- 0.30 [.012] THK COPPER ALLOY; CONTACTS- 0.00203 [.000080] MIN THK. (BRIGHT TIN-LEAD 0.00203 [.000080] MIN THK). (MATTIE TIN-LEAD 0.00203 [.000080] MIN THK FOR CONTACTS 3-641436-2 THRU 5-641436-4)

2 CONTACTS ACCEPT #20 AWG SOLID, FUSED STRANDED OR STRANDED (7 STRANDS) WIRE WITH 2.41 [.095] MAX INSULATION DIA.

3 BOW, IN ANY DIRECTION, NOT TO EXCEED 0.15 [.006] PER IN.

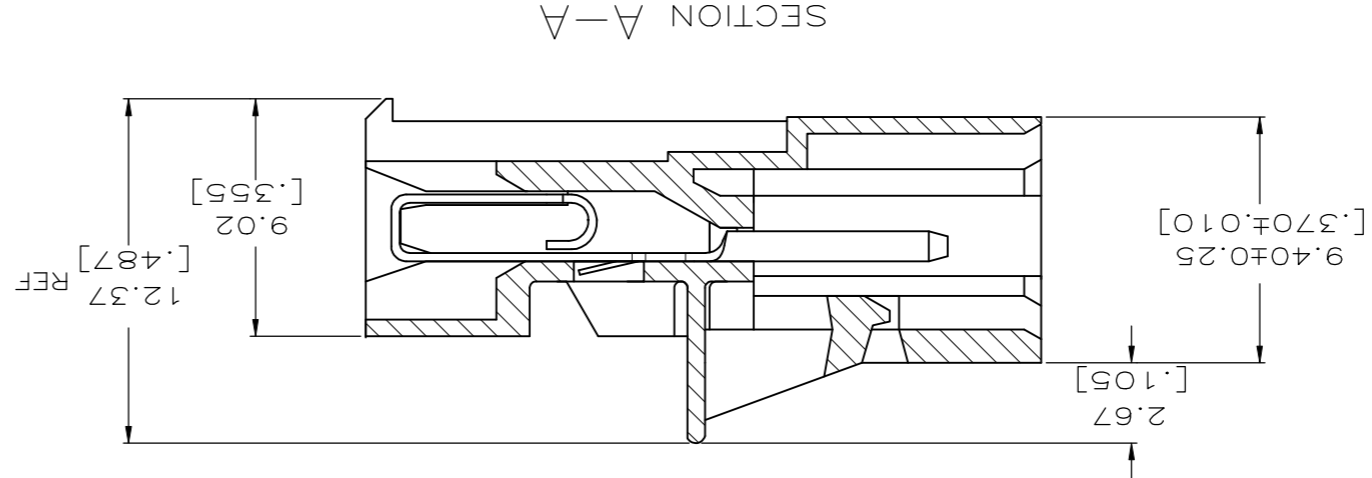
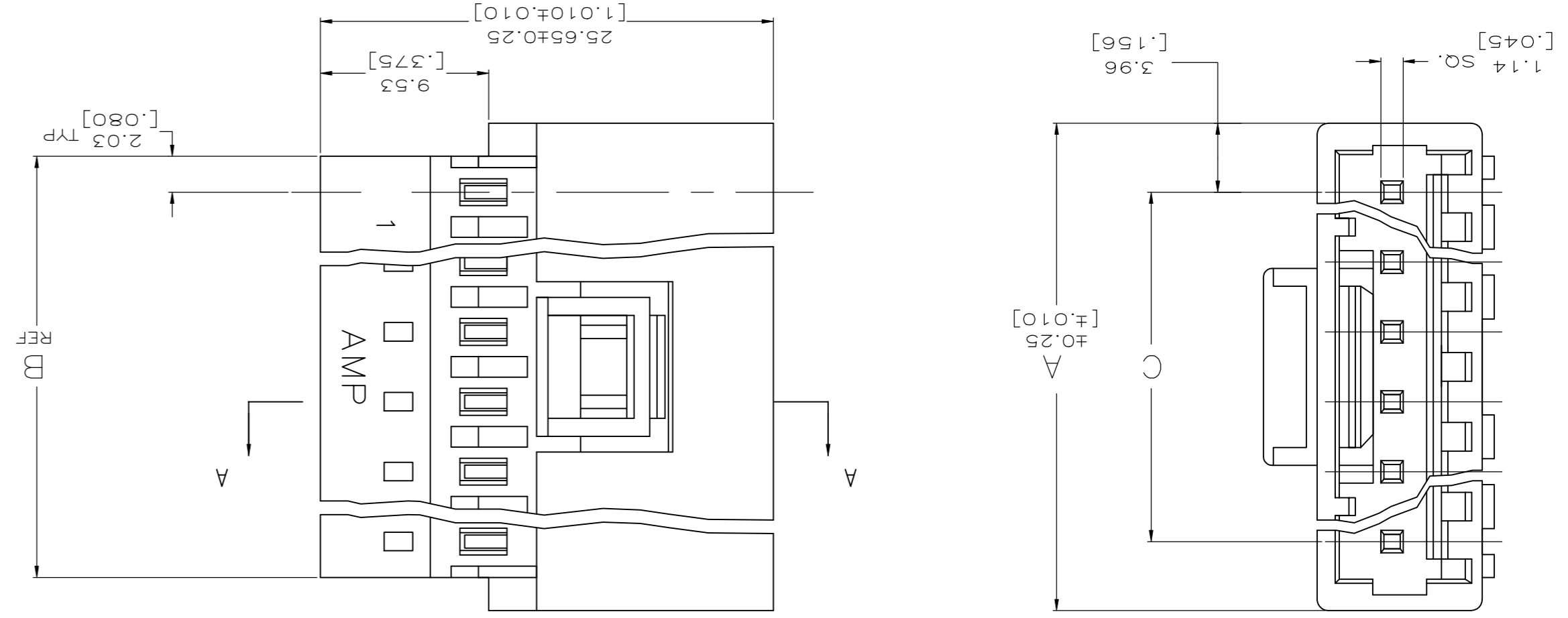
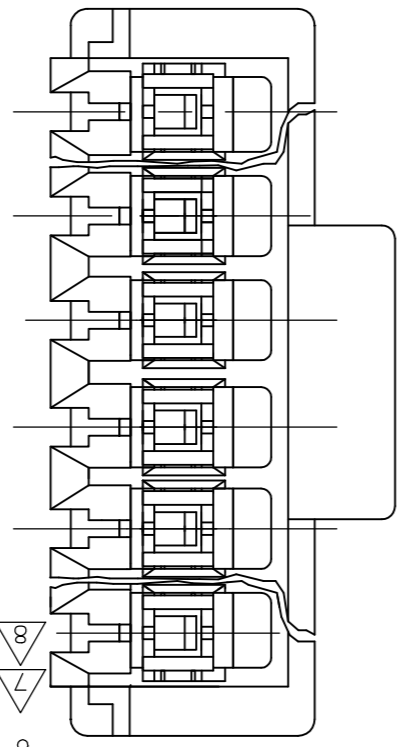
4 HOUSING FEATURES: CLOSED END.

5 DIMENSIONS IN BRACKETS ARE IN INCHES.

6 NOTE DELETED.

7 OBSOLETE PARTS: OBSOLETE CIS STREAMLINING PER D.RENAUD/D.SINIS

8 OBSOLETE PARTS



REV	DATE	DESCRIPTION	BY	CHK	APP
0					

X-ON Electronics

Largest Supplier of Electrical and Electronic Components

Click to view similar products for te connectivity manufacturer:

Other Similar products are found below :

[570416-000](#) [CLTEQ-M81CE-SSRELAY-4-20V](#) [D38999/24FJ4AN](#) [358838-000](#) [4-1195131-0](#) [650069-000](#) [SMD100-2](#) [CB-1022B-78](#)
[RM707012](#) [RP410012](#) [MMS42](#) [1-640426-8](#) [2EDL4CM](#) [DTS20W19-11PD-3028-LC](#) [RM202615](#) [NC6-P104-06](#) [MSPS103B](#) [DTS26F21-41AE](#) [DTS26F21-41PE-LC](#) [DTS26F21-11SE-3028-LC](#) [1932144-1](#) [293545-4](#) [LVR125S](#) [MS27466T25F4PB](#) [CKB-38-78010](#)
[1206SFF150F/63-2](#) [D38999/20JB35HA](#) [D38999/24WJ20PA](#) [1754138-1](#) [TE1500A2R2J](#) [DTS24F25-29PC-3028-LC](#) [D38999/24WG11HA](#)
[D38999/24WG11HN](#) [MS27467T21F11H](#) [DJT16E21-11HA](#) [1206SFH150F/24-2](#) [DTS24F19-11SC-3028-LC](#) [DTS24F21-41HN-LC](#)
[DTS24F21-41AN](#) [DTS24F21-41PN-LC](#) [RP330024](#) [MS27467T21F35J](#) [MS27467T21F11J](#) [MS27467T21F16H-LC](#) [MS27467T21F35H](#)
[MS27467T21F41H-LC](#) [DJT16E21-11PA-LC](#) [DJT16E21-11HA-LC](#) [DJT16E21-11AA](#) [MS27467T21B11JA](#)