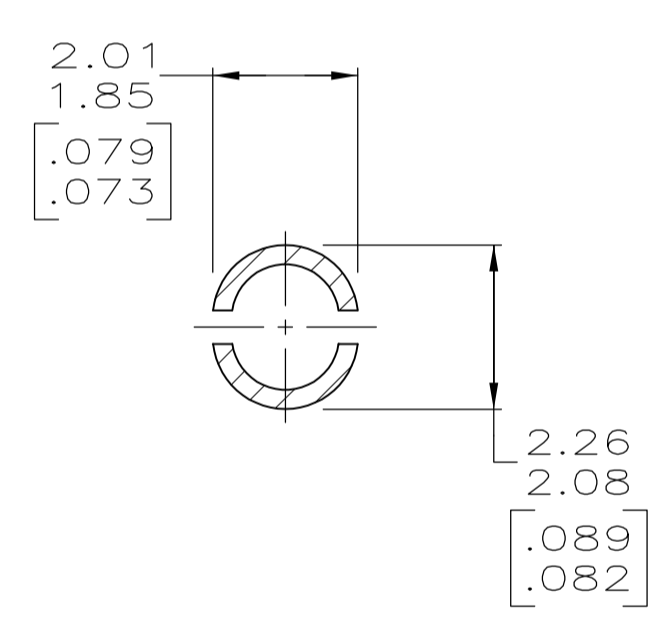
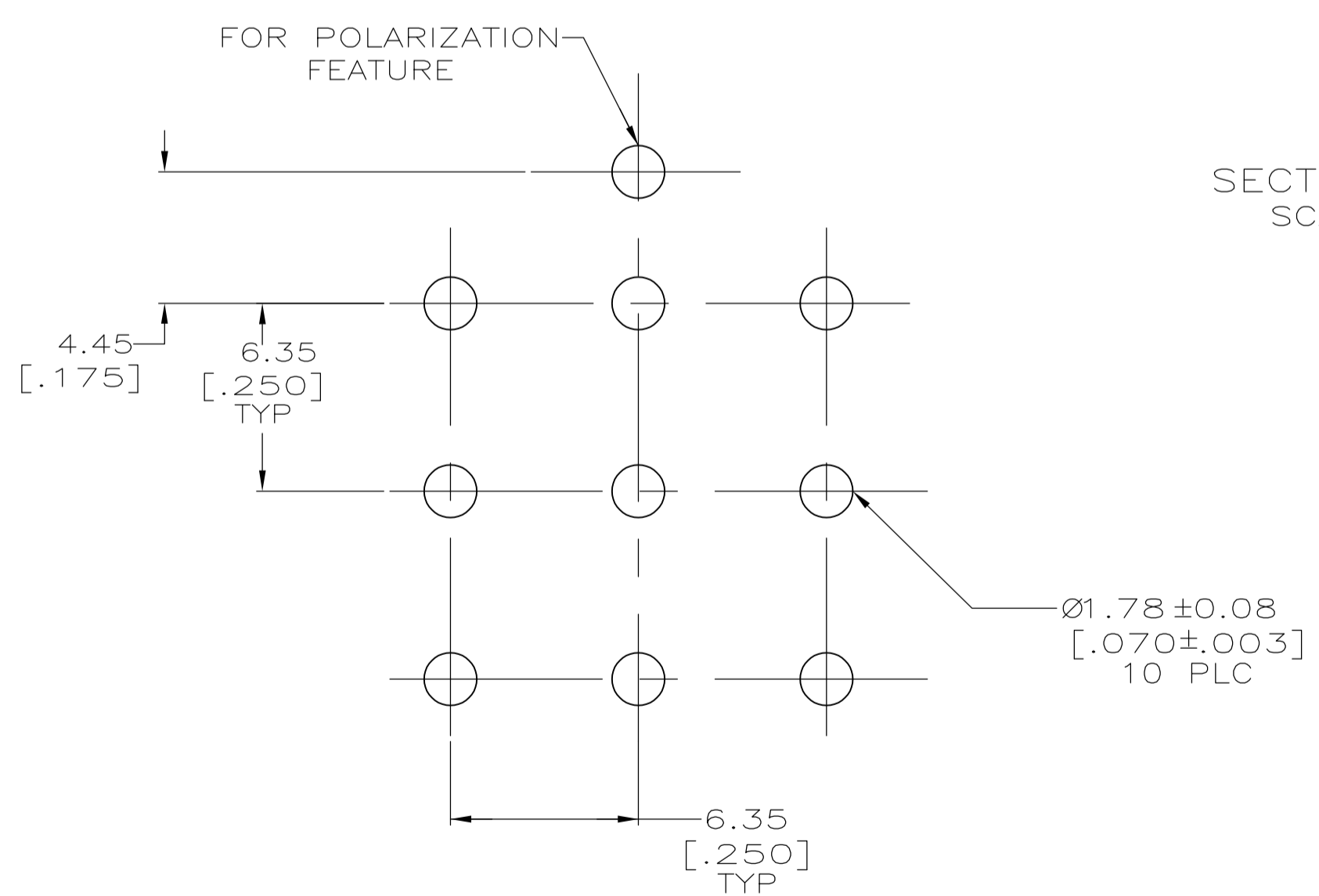
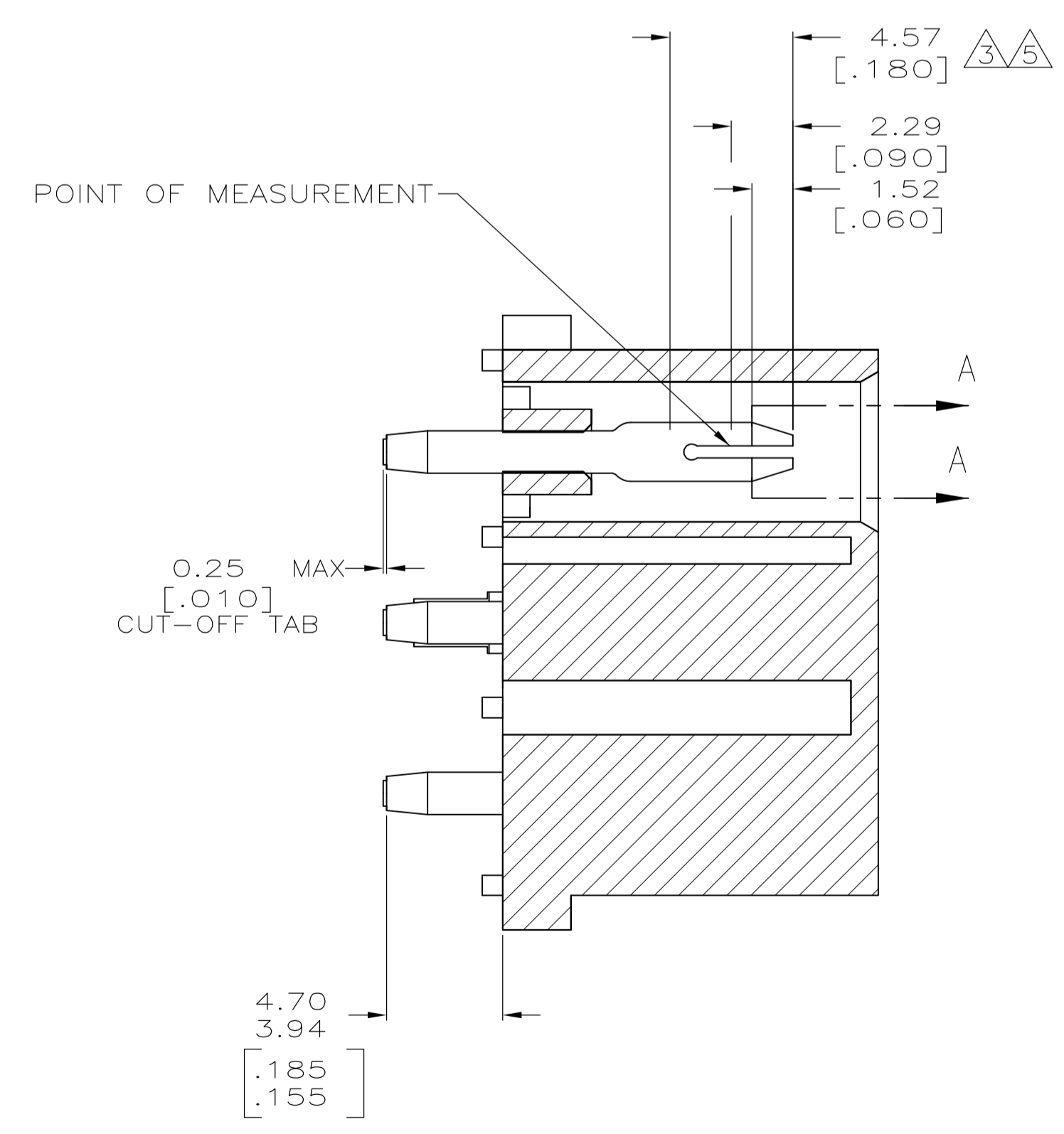
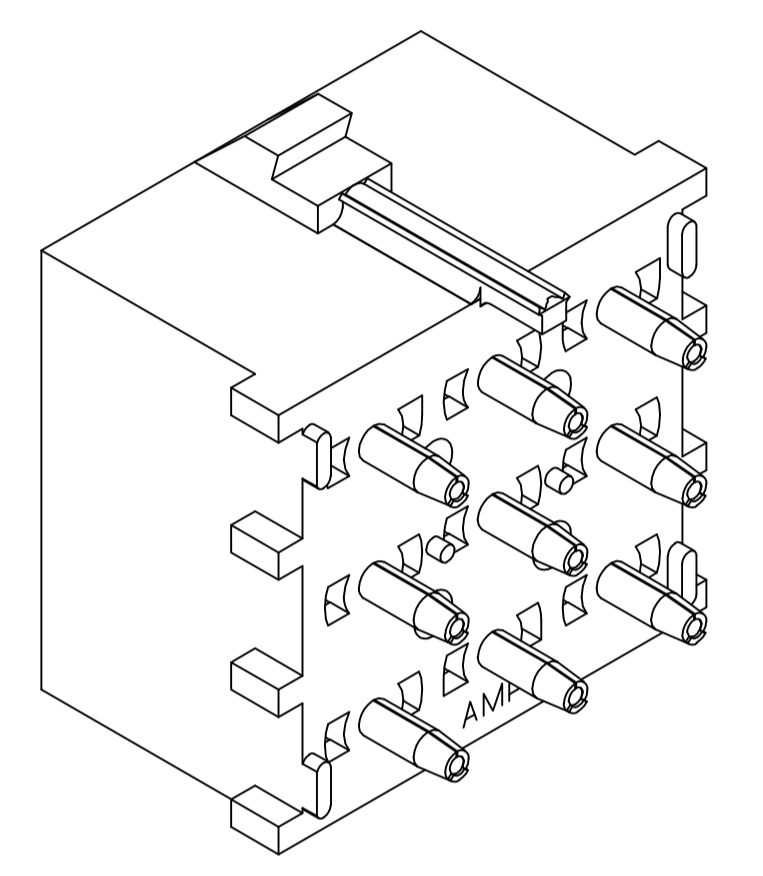
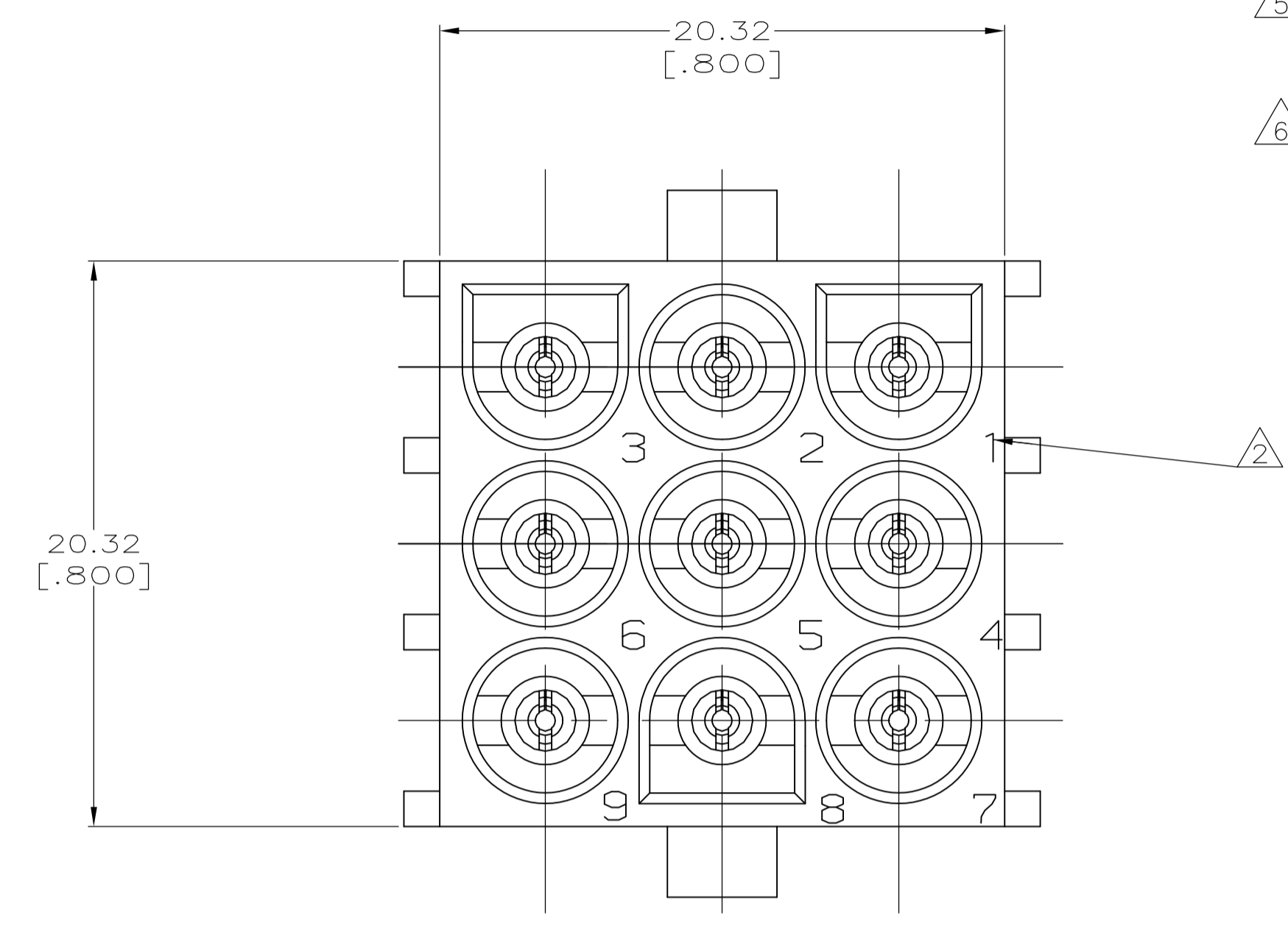
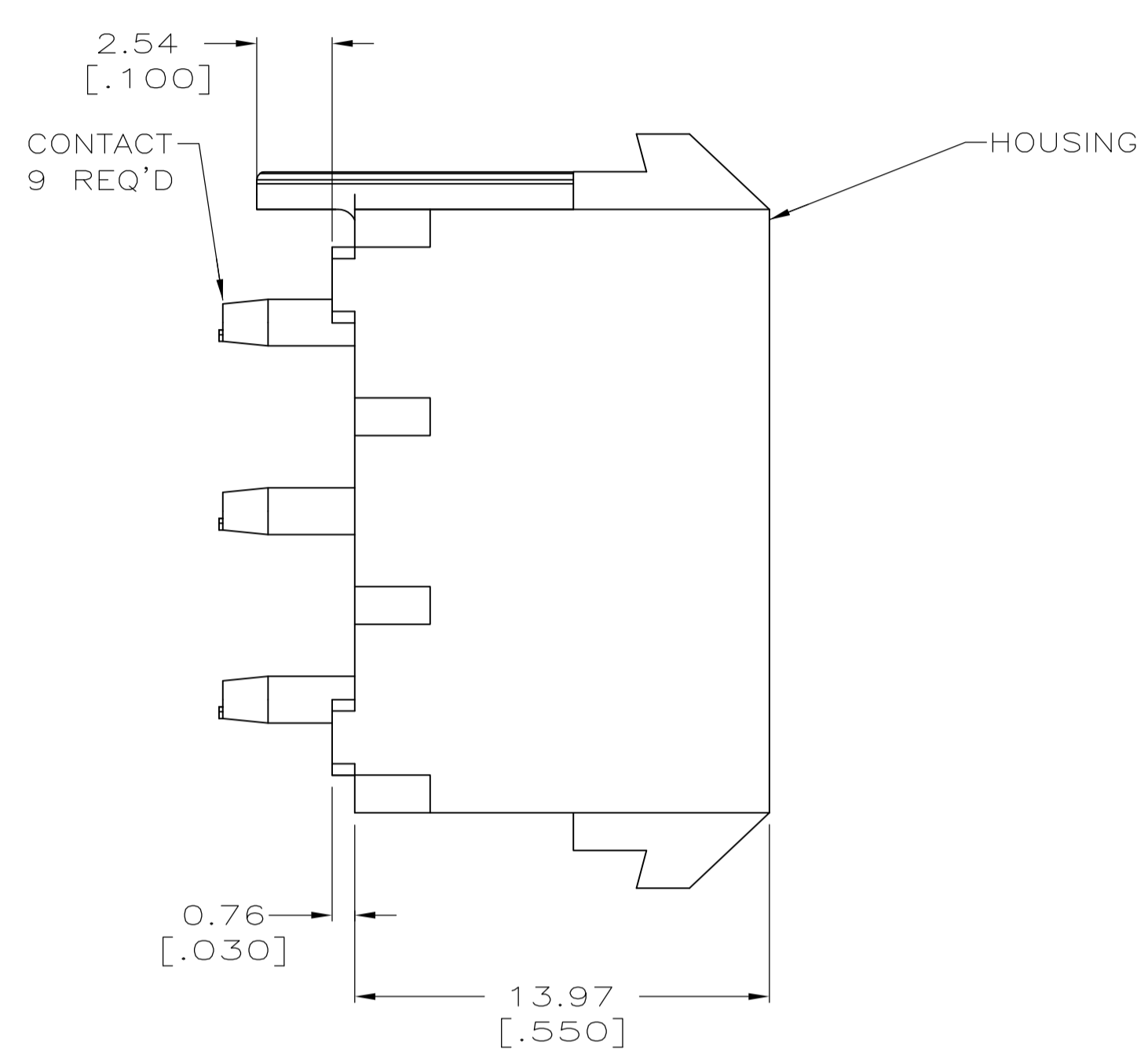
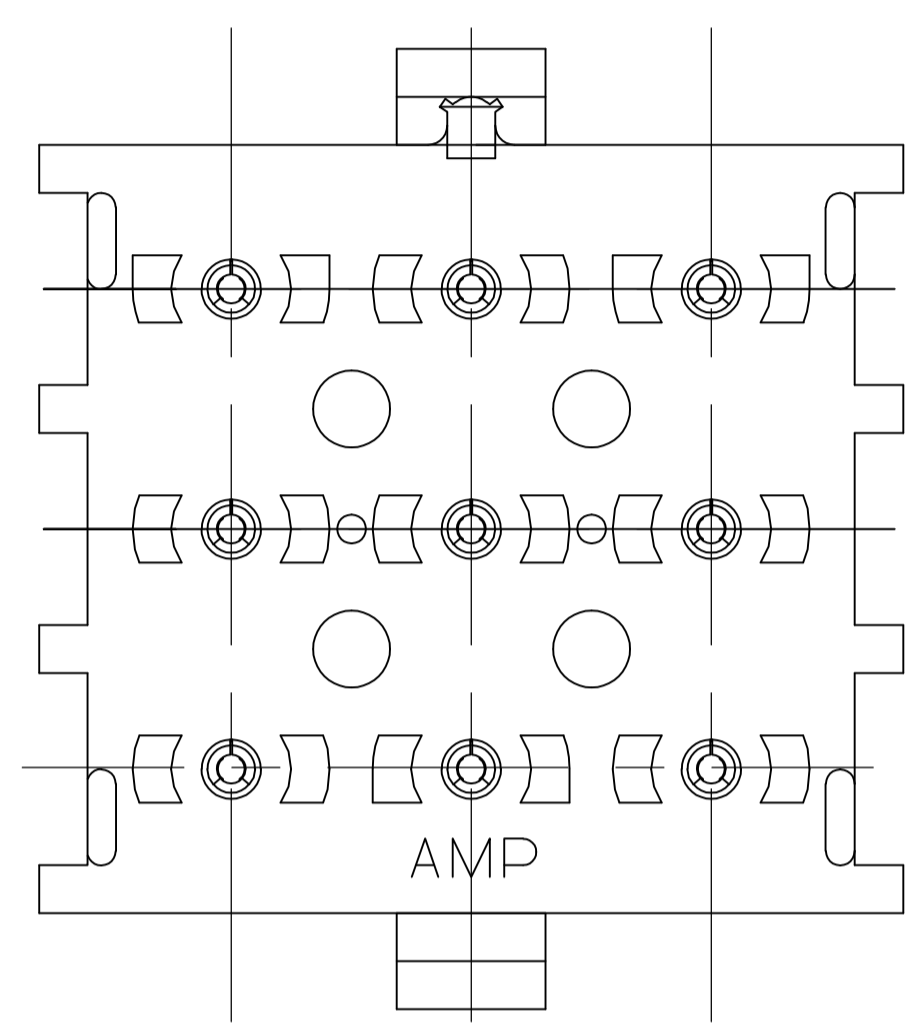


REVISIONS				
REV	DATE	DESCRIPTION	BY	APP'D
R3	16MAY17	REVISED PER ECO-17-007038	RS	KR

- 1 PARTS COMPLY WITH AMP SOLDERABILITY SPECIFICATION 109-11-3.
- 2 CIRCUIT IDENTIFICATION CHARACTERS ARE ADJACENT TO THE INDICATED CAVITIES, BUT LOCATION AND ORIENTATION MAY DIFFER FROM PRINT.
- 3 CONTACT IS PLATED OVERALL WITH 0.00127 [.000050] NICKEL, THEN 0.00076 [.000030] GOLD OVER CONTACT LENGTH INDICATED AND MATTE TIN LEAD ON SOLDER TAIL END.
- 4 DIMENSIONS IN BRACKETS ARE IN INCHES.
- 5 CONTACT IS PLATED OVERALL WITH 0.00127 [.000050] NICKEL, THEN 0.00076 [.000030] GOLD OVER CONTACT LENGTH INDICATED AND MATTE TIN ON SOLDER TAIL END.
- 6 SUPERSEDED BY 641972-3



RECOMMENDED MOUNTING HOLE PATTERN FOR 1.57 [.062] THICK P.C. BOARD

MATERIAL	FINISH	MATERIAL	COLOR	PART NO
PH BRZ	GOLD PLATED	NYLON, UL94V-0	WHITE	641972-3
PH BRZ	TIN PLATED	NYLON, UL94V-0	BLACK	1-641972-1
PH BRZ	GOLD PLATED	NYLON, UL94V-0	WHITE	641972-2
PH BRZ	TIN PLATED	NYLON, UL94V-0	WHITE	641972-1

THIS DRAWING IS A CONTROLLED DOCUMENT.		DIN 8-29-97	STE TE Connectivity	
DIMENSIONS: mm [INCHES]		0.13 [0.005]	NAME: PIN HEADER ASSEMBLY, POLARIZED, 9 CIRCUIT, UNIVERSAL MATE-N-LOK™	
TOLERANCES UNLESS OTHERWISE SPECIFIED:		0.13 [0.005]	SIZE: A1	
MATERIAL: SEE TABLE		FINISH: SEE TABLE	WEIGHT: 0.000000	SCALE: 5:1
CUSTOMER DRAWING		DATE: 8-29-97	DRAWING NO: 00779	SHEET 1 OF 1
		REVISED PER ECO-17-007038	REV: R3	

X-ON Electronics

Largest Supplier of Electrical and Electronic Components

Click to view similar products for [Pin & Socket Connectors](#) category:

Click to view products by [TE Connectivity](#) manufacturer:

Other Similar products are found below :

[6450822-1](#) [770392-1](#) [794042-1](#) [796885-1](#) [8-794535-1](#) [881459-2](#) [R929993003](#) [1-350779-3](#) [1403611-1](#) [1-480349-5](#) [1586092-1](#) [1586129-1](#)
[1586487-1](#) [1586681-4](#) [1586700-1](#) [1586065-1](#) [1586077-1](#) [1586368-1](#) [1586380-1](#) [1586680-5](#) [1586681-2](#) [1604996-1](#) [16-06-0038](#) [164164-5](#) [1-](#)
[6609930-1](#) [172296-1](#) [1-794714-6](#) [19-09-2035](#) [1969804-1](#) [200503-1](#) [200788-2](#) [201046-7](#) [202648-4](#) [2029076-2](#) [2029090-4](#) [2029095-4](#) [2-](#)
[66102-6](#) [925061-7](#) [926681-1](#) [293734-4](#) [293737-2](#) [1-765362-4](#) [1-794606-3](#) [1871534-1](#) [1969795-1](#) [1969798-1](#) [1969800-1](#) [200833-4](#)
[2008625-2](#) [2029027-2](#)