

DRAWING MADE IN THIRD ANGLE PROJECTION

3

2

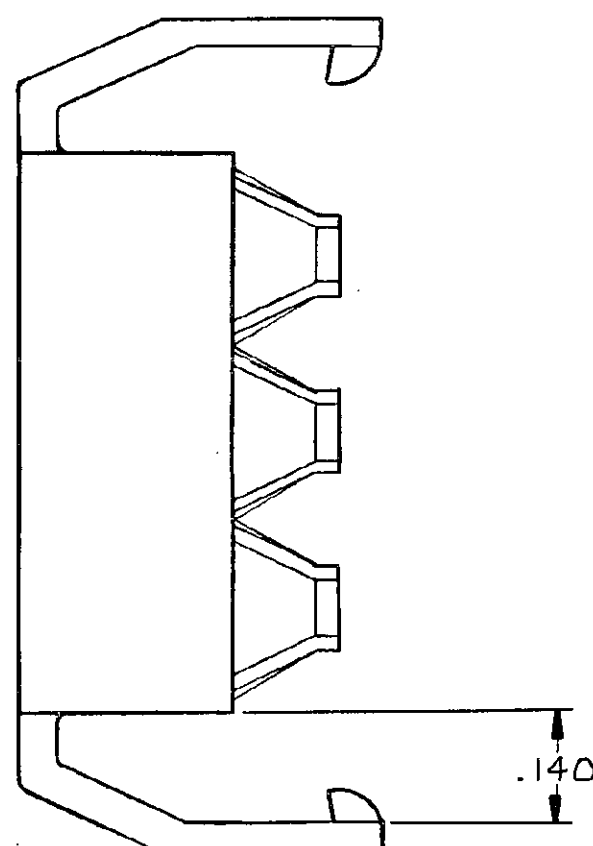
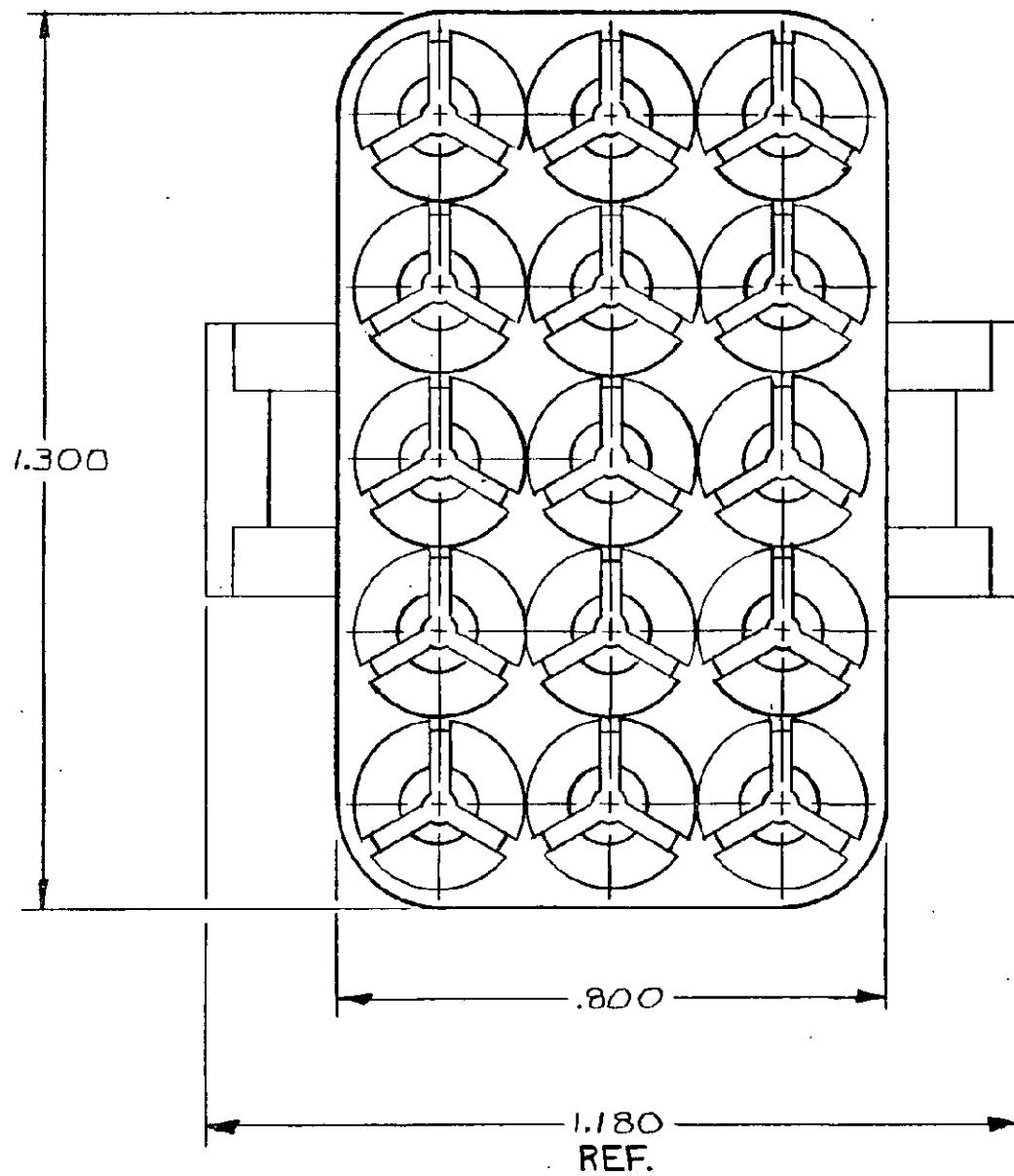
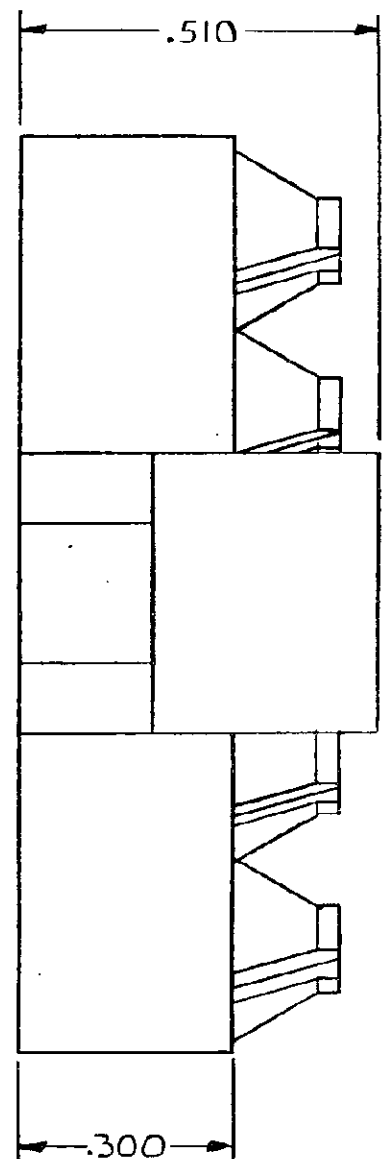
1

LOC CM DIST 53

THIS DRAWING IS UNPUBLISHED. RELEASED FOR PUBLICATION . 19
 © COPYRIGHT 19 BY AMP INCORPORATED, HARRISBURG, PA. ALL INTERNATIONAL RIGHTS RESERVED. AMP PRODUCTS MAY BE COVERED BY U.S. AND FOREIGN PATENTS AND/OR PATENTS PENDING.

REVISIONS						
P	F	ZONE	LTR	DESCRIPTION	DATE	APPROVED
✓			O	RELEASE DRAWING PER T.I. 82-82	7-19-82	MSF / RS
✓			A	REVISED M-7087	9-8-82	D.H.
✓			B	REVISED NAME M-7223	1/3/83	DAS / D.H.
✓			B1	RESTORATION	8-3-85	BT / RS
✓			C	REVISE PER CM-1282	10-26-87	PC / RS
✓			D	REVISE PER CM-1458	1-20-88	PC / RS
✓			E	REVISED PER CM 2704	1-30-90	TB / RS
✓			F	REV PER EC 0730-0054-95	3-30-95	JH / RS

124
D
C
B
A



- ASSEMBLY INSERTIONS:
 SNAP MODULE ONTO HOUSING;
 FULLY INSERT CONTACTS THRU MODULE AND INTO HOUSING (NOTE: SEVERAL CLICKS CAN BE HEARD AS THE CONTACT IS PUSHED IN PLACE);
 DISENGAGE LATCHES ON MODULE AND SLIDE BACK FROM END OF HOUSING;
 CHECK FOR ANY CONTACTS NOT FULLY INSERTED INTO HOUSING; INSERT ANY CONTACTS NOT LOCKED IN HOUSING;
 PUSH MODULE BACK AGAINST HOUSING UNTIL LATCHES ARE ENGAGED.
- MODULE WILL ACCEPT MAXIMUM WIRE OUTSIDE DIA OF .160.

643256-1
PART NO

UNLESS OTHERWISE SPECIFIED DIMENSIONS ARE IN INCHES. TOLERANCES ON: DECIMALS ±.015 ANGLES ±	CONTRACT NO	AMP AMP INCORPORATED Harrisburg, Pa. 17105	
	DR <i>M. Fehan 7-19-82</i>		
MATERIAL NYLON 94V-0	CHK <i>C. H. 7-23-82</i>	NAME ASSEMBLY MODULE, UNIVERSAL MATE-N-LOCK™, 15 CIRCUIT	
	APPD <i>C. H. 7-26-82</i>	SIZE C	FSCM NO 00779
FINISH	DSGN APPD	DRAWING NO 643256	
	OTHER APPD	SCALE 4-1	SHEET

X-ON Electronics

Largest Supplier of Electrical and Electronic Components

Click to view similar products for [Pin & Socket Connectors](#) category:

Click to view products by [TE Connectivity](#) manufacturer:

Other Similar products are found below :

[6450822-1](#) [770392-1](#) [794042-1](#) [796885-1](#) [8-794535-1](#) [881459-2](#) [R929993003](#) [1-350779-3](#) [1403611-1](#) [1-480349-5](#) [152302-5](#) [1586092-1](#)
[1586129-1](#) [1586487-1](#) [1586681-4](#) [1586700-1](#) [1586065-1](#) [1586077-1](#) [1586368-1](#) [1586380-1](#) [1586616-1](#) [1586680-5](#) [1586681-2](#) [1604996-1](#)
[16-06-0038](#) [164164-5](#) [1-6609930-1](#) [172296-1](#) [1-794714-6](#) [19-09-2035](#) [1969804-1](#) [200503-1](#) [200788-2](#) [201046-7](#) [202648-4](#) [2029076-2](#)
[2029090-4](#) [2029095-4](#) [2-66102-6](#) [925061-7](#) [926681-1](#) [293734-4](#) [293737-2](#) [1-765362-4](#) [1-794606-3](#) [1871534-1](#) [1969795-1](#) [1969798-1](#)
[1969800-1](#) [200833-4](#)