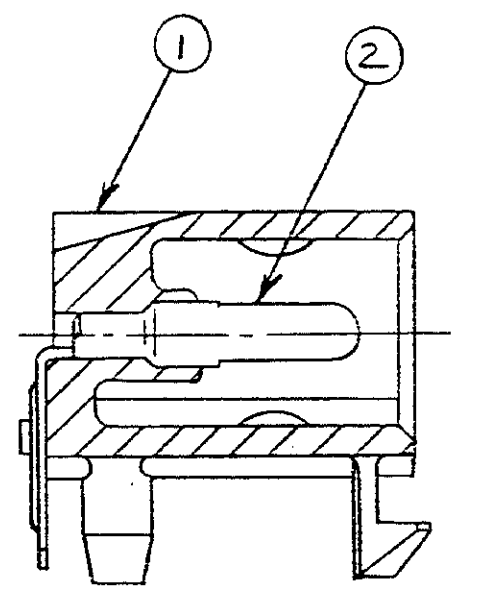
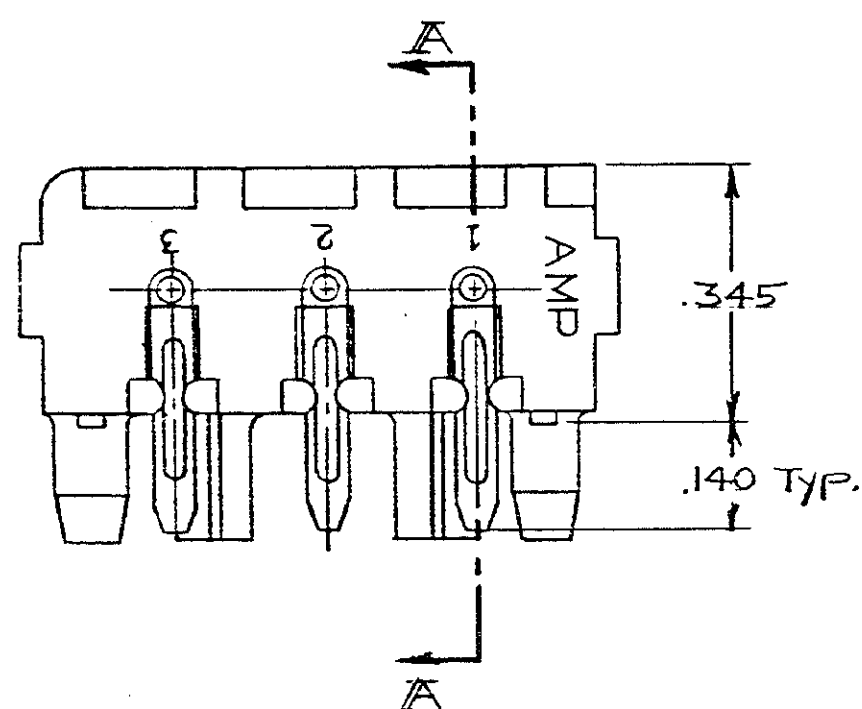
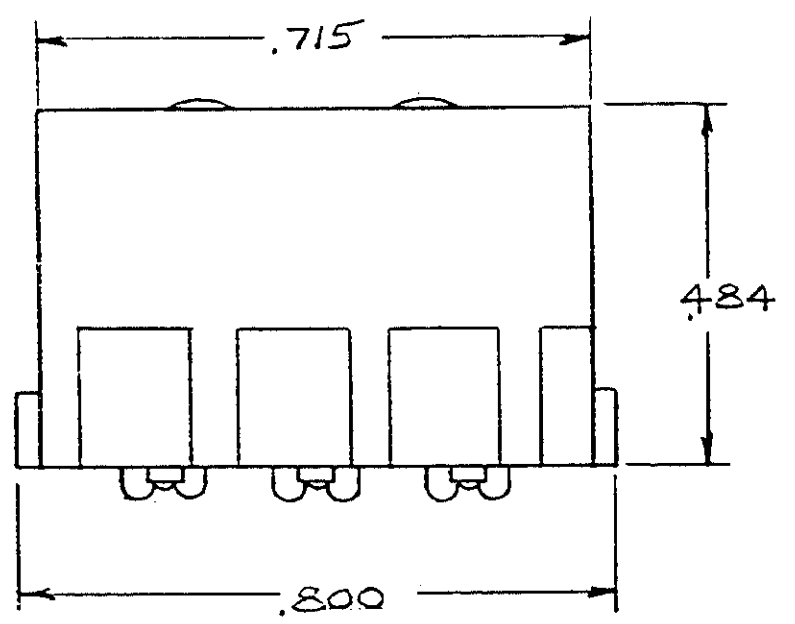


DRAWING MADE IN THIRD ANGLE PROJECTION

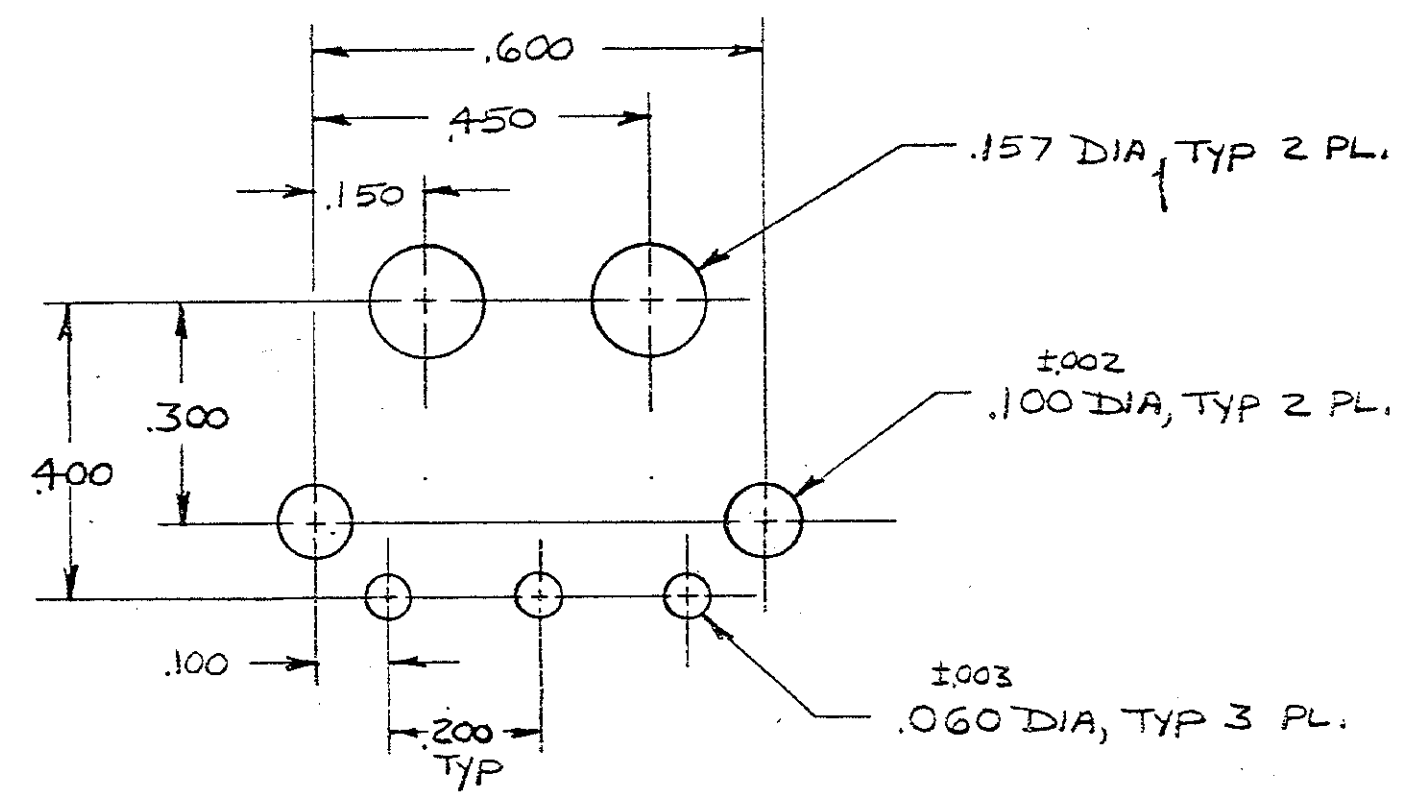
THIS DRAWING IS UNPUBLISHED. RELEASED FOR PUBLICATION 19  
 © COPYRIGHT 19 BY AMP INCORPORATED, HARRISBURG, PA. ALL INTERNATIONAL RIGHTS RESERVED. AMP PRODUCTS MAY BE COVERED BY U.S. AND FOREIGN PATENTS AND/OR PATENTS PENDING.

REVISIONS						
P.	F.	ZONE	LTR.	DESCRIPTION	DATE	APPROVED
✓			0	RELEASED NEW DRAWING, TT183-44	7/1/83	pas/d.H.
✓			A	CHANGED PICTORIALY, M-7389	6/14/83	TW/gm
✓			A1	RESTORED	7/18/85	BD/RS

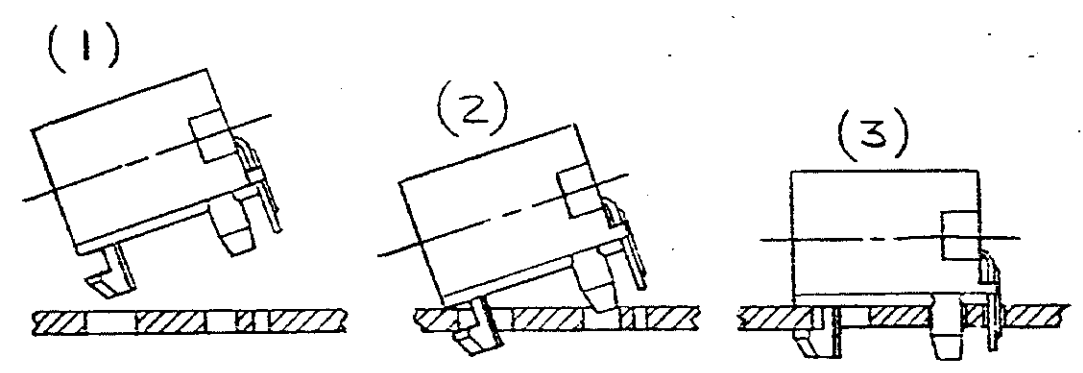
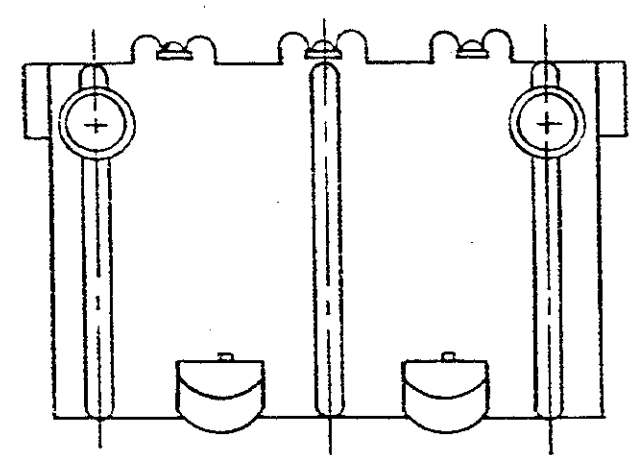
- PARTS COMPLY WITH AMP SOLDERABILITY SPEC. 109-11-3.
- RECOMMEND EXPOSURE TO SOLDER WAVE (490°F) NOT TO EXCEED 5 SECONDS.



SECTION A-A



RECOMMENDED LAYOUT FOR .062 THICK P.C. BOARD  
 TOL: ±.005



MOUNTING PROCEDURE

3	CONTACT	PH BRZ, PRE-TIN	2	643488-1
1	HOUSING	NYLON, 94V-0, NATURAL	1	
NO. PER ASSY	DESCRIPTION	MATERIAL & FINISH	ITEM NO.	PART NO.

UNLESS OTHERWISE SPECIFIED DIMENSIONS ARE IN INCHES. TOLERANCES ON: DECIMALS ±.015 ANGLES ±	CONTRACT NO		<b>AMP</b>   AMP INCORPORATED Harrisburg, Pa. 17105	
	DR	4-11-83		
MATERIAL SEE TABLE	CHK	D.A. SALTZER	NAME	
	APPD	A.S. Heide 4/18/83	P.C. HEADER ASSEMBLY, RIGHT	
FINISH SEE TABLE	APPD	A.E. TRAVIS 4/18/83	ANGLE MOUNT, 3 CIRCUIT, COMMERCIAL	
	APPD		MATE-N-LOK	
DSGN APPD	OTHER APPD	SIZE	FSCM NO	DRAWING NO
		C	00779	643488
		SCALE	SHEET	
		4:1		

643488

CUSTOMER DRAWING

## X-ON Electronics

Largest Supplier of Electrical and Electronic Components

*Click to view similar products for [Pin & Socket Connectors](#) category:*

*Click to view products by [TE Connectivity](#) manufacturer:*

Other Similar products are found below :

[6450822-1](#) [770392-1](#) [794042-1](#) [796885-1](#) [8-794535-1](#) [PLR3455ACS-222](#) [R929991004](#) [R929993003](#) [1403611-1](#) [1-480349-5](#) [152302-5](#)  
[153211-2](#) [1586092-1](#) [1586129-1](#) [1586681-4](#) [1586700-1](#) [1586368-1](#) [1586380-1](#) [1586616-1](#) [1586680-5](#) [16-06-0038](#) [164164-5](#) [1-6609930-1](#)  
[172296-1](#) [19-09-2035](#) [200503-1](#) [200788-2](#) [2029090-4](#) [2029095-4](#) [925061-7](#) [293734-4](#) [293737-2](#) [1-765362-4](#) [1871534-1](#) [200833-4](#)  
[2008625-2](#) [2029027-2](#) [2029096-4](#) [R929991000](#) [R929991002](#) [R929993000](#) [319-10-101-00-005000](#) [319-10-102-00-001000](#) [319-10-104-00-001000](#) [319-10-105-00-001000](#) [319-10-108-00-001000](#) [319-10-112-00-006000](#) [39-01-8019](#) [319-10-101-00-001000](#) [319-10-102-00-005000](#)