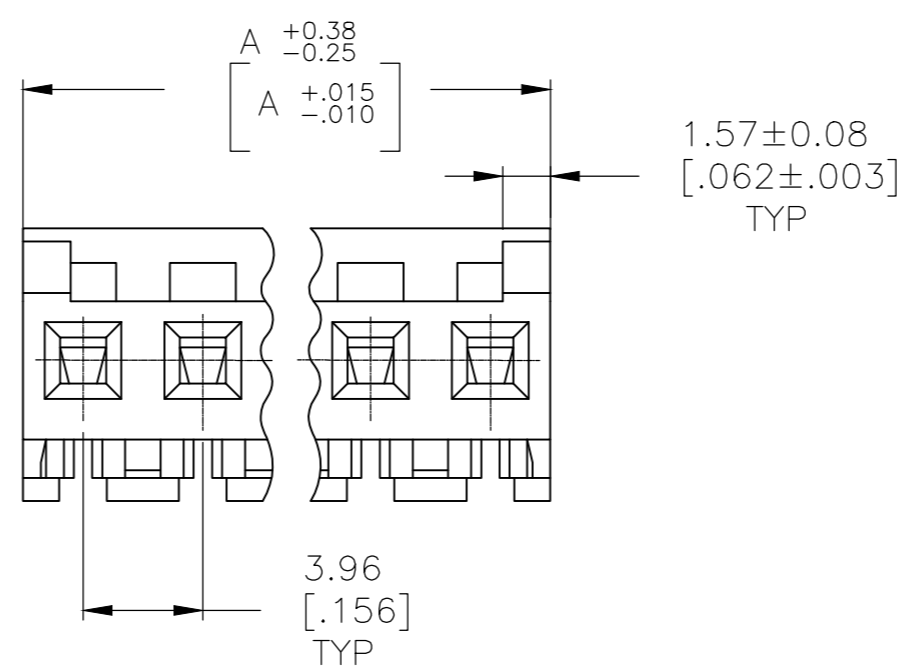
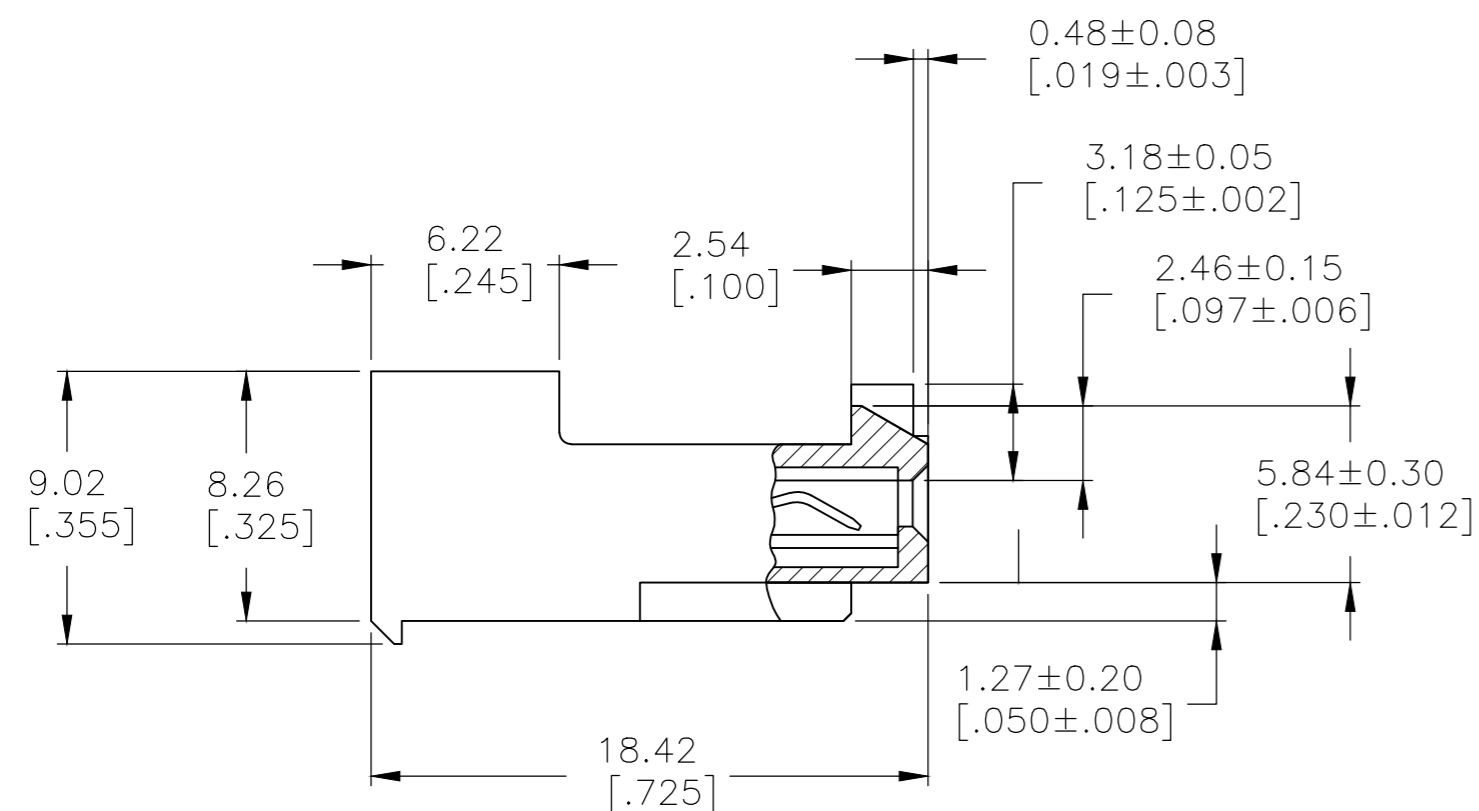
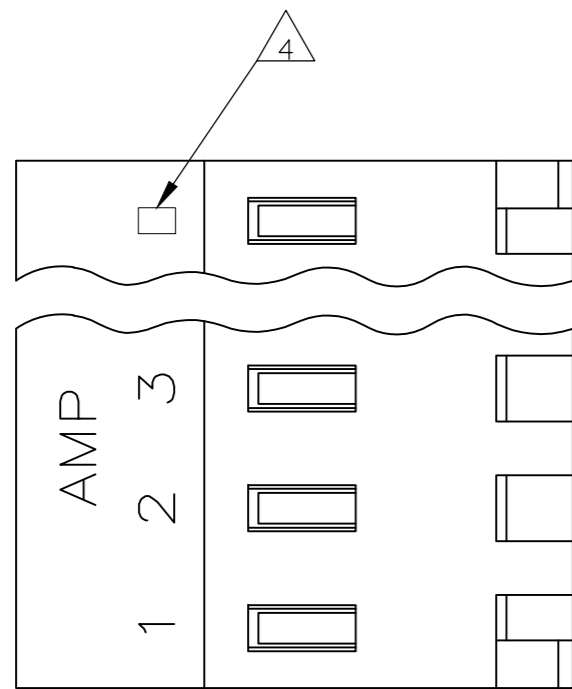


THIS DRAWING IS UNPUBLISHED. RELEASED FOR PUBLICATION
 © COPYRIGHT - By - TE CONNECTIVITY ALL RIGHTS RESERVED.

REVISIONS					
P	LTR	DESCRIPTION	DATE	DWN	APVD
J		REVISED PER ECR-20-000822	27MAY2020	PC	SW



95.10[3.744]	24	5-643819-4
91.13[3.588]	23	5-643819-3
87.17[3.432]	22	5-643819-2
83.21[3.276]	21	5-643819-1
79.25[3.120]	20	5-643819-0
75.29[2.964]	19	4-643819-9
71.32[2.808]	18	4-643819-8
67.36[2.652]	17	4-643819-7
63.40[2.496]	16	4-643819-6
59.44[2.340]	15	4-643819-5
55.47[2.184]	14	4-643819-4
51.51[2.028]	13	4-643819-3
47.55[1.872]	12	4-643819-2
43.59[1.716]	11	4-643819-1
39.62[1.560]	10	4-643819-0
35.66[1.404]	9	3-643819-9
31.70[1.248]	8	3-643819-8
27.74[1.092]	7	3-643819-7
23.77[.936]	6	3-643819-6
19.81[.780]	5	3-643819-5
15.85[.624]	4	3-643819-4
11.89[.468]	3	3-643819-3
7.92[.312]	2	3-643819-2

7	SUPERSEDED BY 5-643819-4	95.10[3.744]	24	2-643819-4
7	SUPERSEDED BY 5-643819-3	91.13[3.588]	23	2-643819-3
7	SUPERSEDED BY 5-643819-2	87.17[3.432]	22	2-643819-2
7	SUPERSEDED BY 5-643819-1	83.21[3.276]	21	2-643819-1
7	SUPERSEDED BY 5-643819-0	79.25[3.120]	20	2-643819-0
7	SUPERSEDED BY 4-643819-9	75.29[2.964]	19	1-643819-9
	SUPERSEDED BY 4-643819-8	71.32[2.808]	18	1-643819-8
	SUPERSEDED BY 4-643819-7	67.36[2.652]	17	1-643819-7
	SUPERSEDED BY 4-643819-6	63.40[2.496]	16	1-643819-6
	SUPERSEDED BY 4-643819-5	59.44[2.340]	15	1-643819-5
	SUPERSEDED BY 4-643819-4	55.47[2.184]	14	1-643819-4
	SUPERSEDED BY 4-643819-3	51.51[2.028]	13	1-643819-3
	SUPERSEDED BY 4-643819-2	47.55[1.872]	12	1-643819-2
	SUPERSEDED BY 4-643819-1	43.59[1.716]	11	1-643819-1
	SUPERSEDED BY 4-643819-0	39.62[1.560]	10	1-643819-0
	SUPERSEDED BY 3-643819-9	35.66[1.404]	9	643819-9
	SUPERSEDED BY 3-643819-8	31.70[1.248]	8	643819-8
	SUPERSEDED BY 3-643819-7	27.74[1.092]	7	643819-7
	SUPERSEDED BY 3-643819-6	23.77[.936]	6	643819-6
	SUPERSEDED BY 3-643819-5	19.81[.780]	5	643819-5
	SUPERSEDED BY 3-643819-4	15.85[.624]	4	643819-4
	SUPERSEDED BY 3-643819-3	11.89[.468]	3	643819-3
	SUPERSEDED BY 3-643819-2	7.92[.312]	2	643819-2

1 MATERIAL: CONNECTOR - NYLON UL94-V2 (RED).
 CONTACTS - 0.30[.012] THICK COPPER ALLOY
 (BRIGHT TIN-LEAD 0.00203[.000080] MIN. THICK
 FOR CONTACTS 643819-2 THRU 2-643819-4).
 (MATTE WHISKER MITIGATED TIN 0.00203[.000080]
 MIN. THICKNESS OVER NICKEL UNDERPLATE FOR
 3-643819-2 THRU 5-643819-4).

2 CONTACTS ACCEPT 22 AWG WIRE WITH 2.41[.095] MAX
 INSULATION DIAMETER.

3 CONTACTS MUST ACCEPT 1.14±0.03[.045]
 POST AND REMAIN LOCKED IN POSITION.

4 IDENTIFICATION NUMBER FOR LAST CIRCUIT MAY
 NOT APPEAR ON ALL ASSEMBLIES.

5 DIMENSIONS IN BRACKETS ARE IN INCHES.

6 HOUSING FEATURES ARE: CLOSED END WITH LOCKING
 RAMP AND POLARIZING TAB.

7 OBSOLETE PARTS: OBSOLETE CIS STREAMLINING PER D.RENAUD/D.SINISI

THIS DRAWING IS A CONTROLLED DOCUMENT.		DWN S. CARPENTER 09JUL2003	TE Connectivity Ltd.	
DIMENSIONS: mm [INCHES]		CHK D. BOSSI 09JUL2003		
TOLERANCES UNLESS OTHERWISE SPECIFIED:		APVD D. BOSSI 09JUL2003	NAME	
0 PLC ± -		PRODUCT SPEC	MTA 156 CONNECTOR ASSEMBLY, 22 AWG, STANDARD	
1 PLC ± -		APPLICATION SPEC	-	
2 PLC ± -		108-1051	SIZE	CAGE CODE
3 PLC ± 0.13 [.005]		114-1020	A2	00779
4 PLC ± -		WEIGHT	DRAWING NO	
ANGLES ± -		0.000000	C=643819	
FINISH		CUSTOMER DRAWING		
1		SCALE		SHEET
		4:1		1 of 1
		REV		J

X-ON Electronics

Largest Supplier of Electrical and Electronic Components

Click to view similar products for [Headers & Wire Housings](#) category:

Click to view products by [TE Connectivity](#) manufacturer:

Other Similar products are found below :

[892-18-020-10-001101](#) [58102-G61-06LF](#) [582553-1](#) [0009485154](#) [009176003701906](#) [0050291907](#) [LY20-4P-DT1-P1E-BR](#) [02.125.8002.8](#)
[609-3404](#) [61062-3](#) [61082-181009](#) [622-3653LF](#) [63453-116](#) [636-1030](#) [636-1427](#) [636-3427](#) [636-4007](#) [641938-9](#) [641991-4](#) [644827-2](#) [65817-](#)
[010LF](#) [65817-015LF](#) [65863-015LF](#) [66207-023LF](#) [67095-007LF](#) [67601157](#) [68645-018](#) [68648-049](#) [70.362.1628.0](#) [70-4210](#) [70-4226B](#) [70-](#)
[4853B](#) [707-5020](#) [707-5028](#) [71.350.2428.0](#) [71918-208LF](#) [71961-016LF](#) [733-134](#) [733-162](#) [754199-000](#) [760-3052](#) [787-8014-00](#) [79531-3000](#)
[FCN-360C032-B](#) [FCN-367T-T012/H](#) [FCN-723D010/2](#) [80.063.4001.1](#) [800-90-001-10-001000](#) [800-90-010-10-002000](#) [801-43-002-10-013000](#)