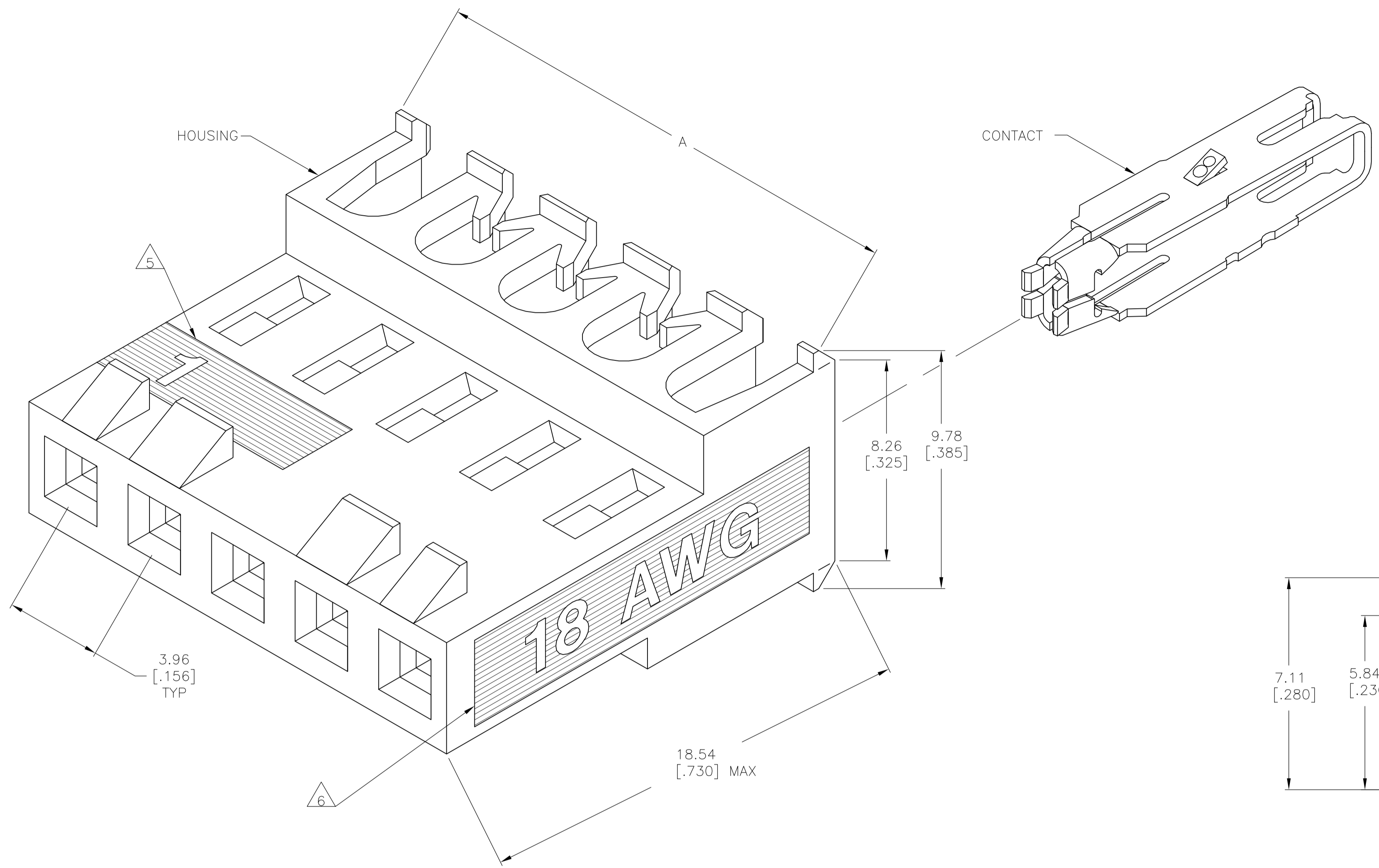
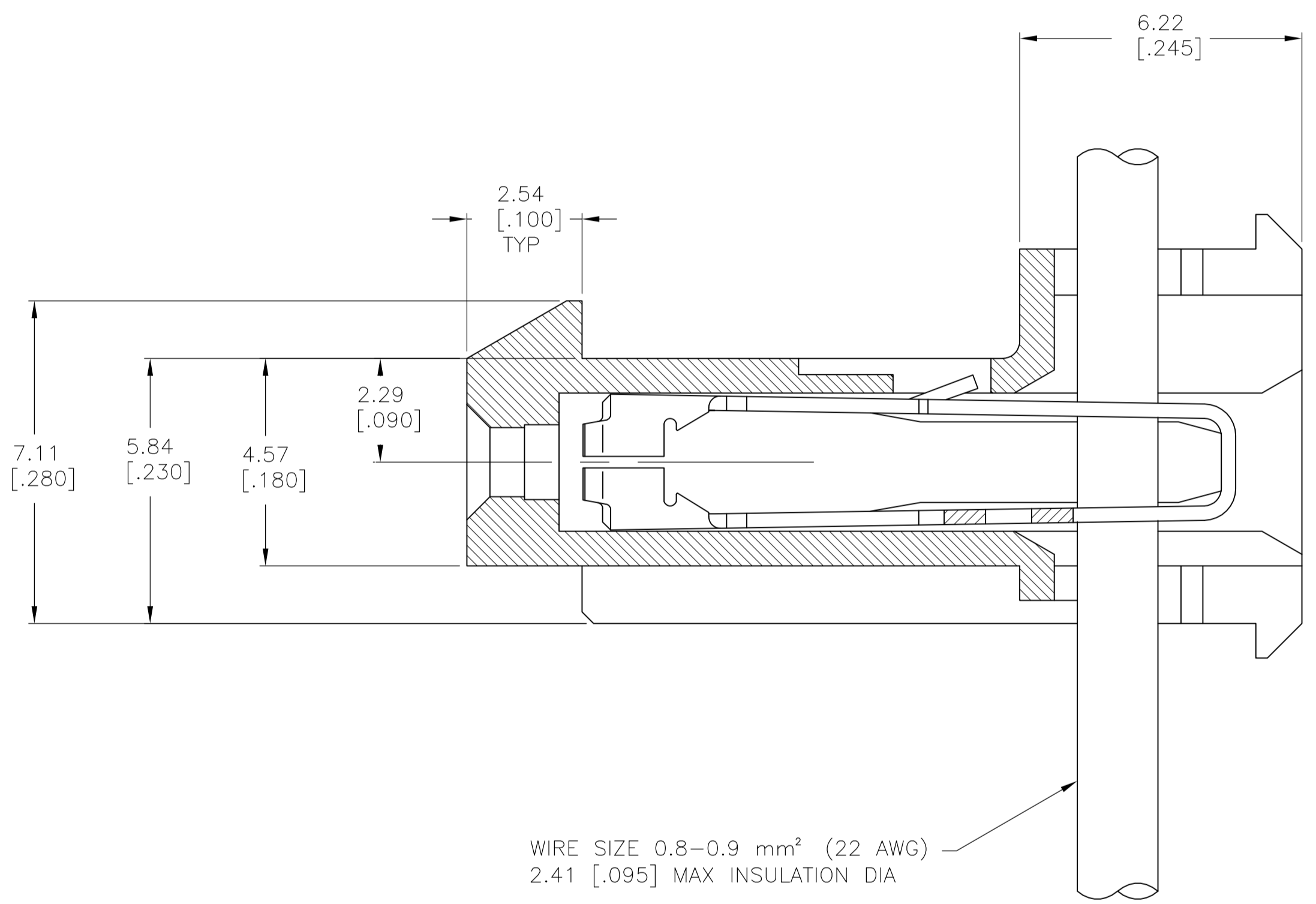


LOC		DIST		REVISIONS			
F	LTR	DESCRIPTION	DATE	DN	APVD		
F		ECO-07-012891	22JUN07	KW	DB		
F1		REVISED PER ECO-09-022908	08OCT09	KK	AEG		



1. OPERATING TEMPERATURE: -55° C TO 105°C
2. MATERIAL: HOUSING, NYLON 6/6, UL 94V-0, BLACK  
CONTACT, 0.30 [.012] THICK COPPER ALLOY
3. FINISH: BRIGHT TIN-LEAD PLATE 0.00203-0.00508 [.000080-.000200] THICK  
OR MATTE WHISKER MITIGATED TIN 0.00203 [.000080] MIN THICKNESS OVER  
NICKEL UNDERPLATE.
4. LUBRICATED WITH AMP ANTI-FRETTING LUBRICANT.
5. IDENTIFICATION NUMBER FOR FIRST CIRCUIT.
6. WIRE GAUGE IDENTIFICATION
7. DIMENSIONS IN BRACKETS ARE IN INCHES.
8. CONTACT MUST ACCEPT 1.14±0.03 [.045±.001] SQUARE POST AND REMAINED LOCKED IN POSITION.
9. OBSOLETE PARTS: OBSOLETE CIS STREAMLINING PER D.RENAUD/D.SINISI



TIN	47.55±0.30	[1.872±.012]	12	4-644375-2
TIN	43.59±0.30	[1.716±.012]	11	4-644375-1
TIN	39.62±0.30	[1.560±.012]	10	4-644375-0
TIN	35.66±0.30	[1.404±.012]	9	3-644375-9
TIN	31.70±0.30	[1.248±.012]	8	3-644375-8
TIN	27.74±0.30	[1.092±.012]	7	3-644375-7
TIN	23.77±0.30	[.936±.012]	6	3-644375-6
TIN	19.81±0.30	[.780±.012]	5	3-644375-5
TIN	15.85±0.15	[.624±.006]	4	3-644375-4
TIN	11.89±0.15	[.468±.006]	3	3-644375-3
TIN	7.92±0.15	[.312±.006]	2	3-644375-2
FINISH	A		NO. OF CIRCUITS	PART NO.

9 SUPERCEDED	TIN-LEAD	47.55±0.30	[1.872±.012]	12	1-644375-2
9 SUPERCEDED	TIN-LEAD	43.59±0.30	[1.716±.012]	11	1-644375-1
9 SUPERCEDED	TIN-LEAD	39.62±0.30	[1.560±.012]	10	1-644375-0
9 SUPERCEDED	TIN-LEAD	35.66±0.30	[1.404±.012]	9	644375-9
9 SUPERCEDED	TIN-LEAD	31.70±0.30	[1.248±.012]	8	644375-8
9 SUPERCEDED	TIN-LEAD	27.74±0.30	[1.092±.012]	7	644375-7
9 SUPERCEDED	TIN-LEAD	23.77±0.30	[.936±.012]	6	644375-6
9 SUPERCEDED	TIN-LEAD	19.81±0.30	[.780±.012]	5	644375-5
9 SUPERCEDED	TIN-LEAD	15.85±0.15	[.624±.006]	4	644375-4
9 SUPERCEDED	TIN-LEAD	11.89±0.15	[.468±.006]	3	644375-3
9 SUPERCEDED	TIN-LEAD	7.92±0.15	[.312±.006]	2	644375-2
9 SUPERCEDED	FINISH	A		NO. OF CIRCUITS	PART NO.

**METRIC**

THIS DRAWING IS A CONTROLLED DOCUMENT.

DIMENSIONS: mm [INCHES]	TOLERANCES UNLESS OTHERWISE SPECIFIED:	DIN S. CARPENTER 19AUG2003	Tyco Electronics Corporation Harrisburg, Pa 17105-3608
0. PLC ± -	1. PLC ± -	CHK: D. ROSSI 19AUG2003	
2. PLC ± -	3. PLC ± 0.13 [.005]	APVD: D. ROSSI 19AUG2003	NAME: MTA-156 CONNECTOR ASSEMBLY, QUAD, 18 AWG, FEED THRU, WITH LOCKING RAMP
4. PLC ± -	ANGLES ± -	PRODUCT SPEC: 108-1219	SIZE: 114-1048
MATERIAL: SEE TABLE	FINISH: SEE TABLE	APPLICATION SPEC: 114-1048	RESTRICTED TO: A1 00779 C=644375
CUSTOMER DRAWING		SCALE: 10:1	SHEET 1 OF 1 REV F1

## X-ON Electronics

Largest Supplier of Electrical and Electronic Components

*Click to view similar products for [Headers & Wire Housings](#) category:*

*Click to view products by [TE Connectivity](#) manufacturer:*

Other Similar products are found below :

[892-18-020-10-001101](#) [58102-G61-06LF](#) [582553-1](#) [0009485154](#) [009176003701906](#) [0050291907](#) [LY20-4P-DT1-P1E-BR](#) [02.125.8002.8](#)  
[609-3404](#) [61062-3](#) [61082-181009](#) [622-3653LF](#) [63453-116](#) [636-1030](#) [636-1427](#) [636-3427](#) [636-4007](#) [641938-9](#) [641991-4](#) [644827-2](#) [65817-010LF](#) [65817-015LF](#) [65863-015LF](#) [66207-023LF](#) [67095-007LF](#) [67601157](#) [68645-018](#) [68648-049](#) [70.362.1628.0](#) [70-4210](#) [70-4226B](#) [70-4853B](#) [707-5020](#) [707-5028](#) [71.350.2428.0](#) [71918-208LF](#) [71961-016LF](#) [733-134](#) [733-162](#) [754199-000](#) [760-3052](#) [787-8014-00](#) [79531-3000](#)  
[FCN-360C032-B](#) [FCN-367T-T012/H](#) [FCN-723D010/2](#) [80.063.4001.1](#) [800-90-001-10-001000](#) [800-90-010-10-002000](#) [801-43-002-10-013000](#)