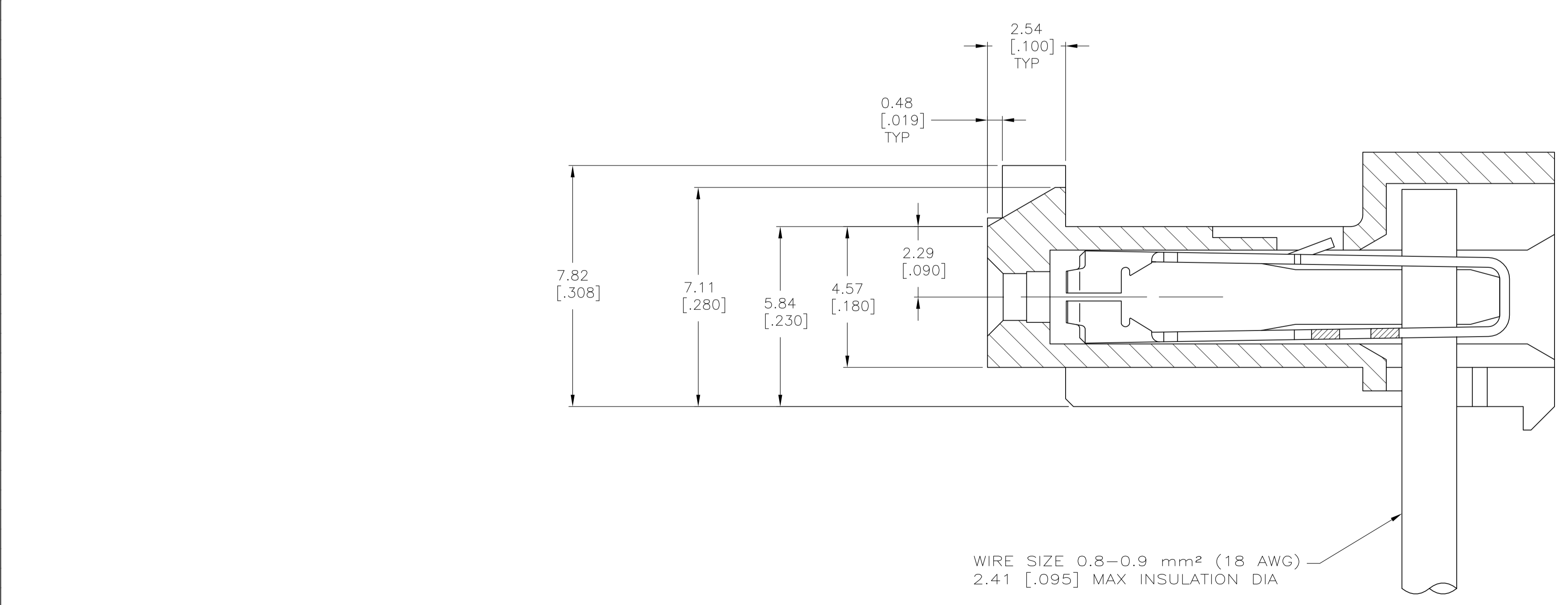
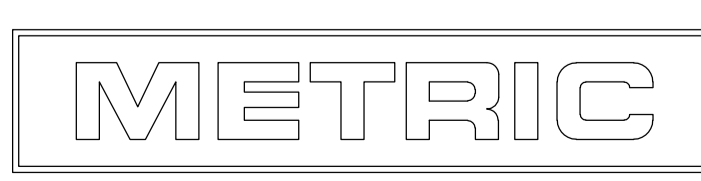


1. OPERATING TEMPERATURE: -55°C TO 105°C
2. MATERIAL: HOUSING, NYLON 6/6, UL 94V-0, BLACK CONTACT, 0.30 [.012] THICK COPPER ALLOY
3. FINISH: BRIGHT TIN-LEAD PLATE 0.00203-0.00508 [.000080-.000200"] THICK OR MATTE WHISKER MITIGATED TIN 0.00203 [.000080] MIN THICKNESS OVER NICKEL UNDERPLATE.
4. LUBRICATED WITH AMP ANTI-FRETTING LUBRICANT.
5. IDENTIFICATION NUMBER FOR FIRST CIRCUIT.
6. WIRE GAUGE IDENTIFICATION
7. DIMENSIONS IN BRACKETS ARE IN INCHES.
8. CONTACT MUST ACCEPT 1.14±0.03 [.045±.001] SQUARE POST AND REMAINED LOCKED IN POSITION.
9. OBSOLETE PARTS: OBSOLETE CIS STREAMLINING PER D.RENAUD/D.SINISI



| | | | | | |
|-------------------------|------------|--------------|--------------|------------|----------|
| TIN | 47.55±0.30 | [1.872±.012] | 12 | 4-644381-2 | |
| TIN | 43.59±0.30 | [1.716±.012] | 11 | 4-644381-1 | |
| TIN | 39.62±0.30 | [1.560±.012] | 10 | 4-644381-0 | |
| TIN | 35.66±0.30 | [1.404±.012] | 9 | 3-644381-9 | |
| TIN | 31.70±0.30 | [1.248±.012] | 8 | 3-644381-8 | |
| TIN | 27.74±0.30 | [1.092±.012] | 7 | 3-644381-7 | |
| TIN | 23.77±0.30 | [.936±.012] | 6 | 3-644381-6 | |
| TIN | 19.81±0.30 | [.780±.012] | 5 | 3-644381-5 | |
| TIN | 15.85±0.15 | [.624±.006] | 4 | 3-644381-4 | |
| TIN | 11.89±0.15 | [.468±.006] | 3 | 3-644381-3 | |
| TIN | 7.92±0.15 | [.312±.006] | 2 | 3-644381-2 | |
| TIN-LEAD | 47.55±0.30 | [1.872±.012] | 12 | 1-644381-2 | |
| TIN-LEAD | 43.59±0.30 | [1.716±.012] | 11 | 1-644381-1 | |
| TIN-LEAD | 39.62±0.30 | [1.560±.012] | 10 | 1-644381-0 | |
| 9 SUPERCEDED | TIN-LEAD | 35.66±0.30 | [1.404±.012] | 9 | 644381-9 |
| 9 SUPERCEDED | TIN-LEAD | 31.70±0.30 | [1.248±.012] | 8 | 644381-8 |
| 9 SUPERCEDED | TIN-LEAD | 27.74±0.30 | [1.092±.012] | 7 | 644381-7 |
| 9 SUPERCEDED | TIN-LEAD | 23.77±0.30 | [.936±.012] | 6 | 644381-6 |
| 9 SUPERCEDED | TIN-LEAD | 19.81±0.30 | [.780±.012] | 5 | 644381-5 |
| 9 SUPERCEDED | TIN-LEAD | 15.85±0.15 | [.624±.006] | 4 | 644381-4 |
| 9 SUPERCEDED | TIN-LEAD | 11.89±0.15 | [.468±.006] | 3 | 644381-3 |
| 9 SUPERCEDED | TIN-LEAD | 7.92±0.15 | [.312±.006] | 2 | 644381-2 |
| | FINISH | A | NO OF CKTS | PART NO | |



THIS DRAWING IS A CONTROLLED DOCUMENT.

| | | | | |
|-------------------------|--|------------------------------|---------------------------|--|
| DIMENSIONS: mm [INCHES] | TOLERANCES UNLESS OTHERWISE SPECIFIED: | DIN S. CARPENTER 14 AUG 2003 | APVD D. ROSSI 14 AUG 2003 | NAME |
| 0 PLC ± - | 1 PLC ± - | | | MTA-156 CONNECTOR ASSEMBLY, QUAD, 18 AWG, WITH LOCKING RAMP. |
| 2 PLC ± - | 3 PLC ± 0.13 [.005] | | | 108-1219 |
| 4 PLC ± - | ANGLES ± - | | | APPLICATION SPEC |
| | | SIZE | CAGE CODE | DRAWING NO |
| | | 114-1048 | | 00779 |
| MATERIAL | FINISH | WEIGHT | | RESTRICTED TO |
| 2 | 3 | | A1 | 644381 |
| CUSTOMER DRAWING | | SCALE | SHEET | REV |
| | | 10:1 | 1 OF 1 | F2 |

X-ON Electronics

Largest Supplier of Electrical and Electronic Components

Click to view similar products for [Headers & Wire Housings](#) category:

Click to view products by [TE Connectivity](#) manufacturer:

Other Similar products are found below :

[892-18-020-10-001101](#) [58102-G61-06LF](#) [582553-1](#) [0009485154](#) [009176003701906](#) [0050291907](#) [LY20-4P-DT1-P1E-BR](#) [02.125.8002.8](#)
[609-3404](#) [61062-3](#) [61082-181009](#) [622-3653LF](#) [63453-116](#) [636-1030](#) [636-1427](#) [636-3427](#) [636-4007](#) [641938-9](#) [641991-4](#) [644827-2](#) [65817-010LF](#) [65817-015LF](#) [65863-015LF](#) [66207-023LF](#) [67095-007LF](#) [67601157](#) [68645-018](#) [68648-049](#) [70.362.1628.0](#) [70-4210](#) [70-4226B](#) [70-4853B](#) [707-5020](#) [707-5028](#) [71.350.2428.0](#) [71918-208LF](#) [71961-016LF](#) [733-134](#) [733-162](#) [754199-000](#) [760-3052](#) [787-8014-00](#) [79531-3000](#)
[FCN-360C032-B](#) [FCN-367T-T012/H](#) [FCN-723D010/2](#) [80.063.4001.1](#) [800-90-001-10-001000](#) [800-90-010-10-002000](#) [801-43-002-10-013000](#)