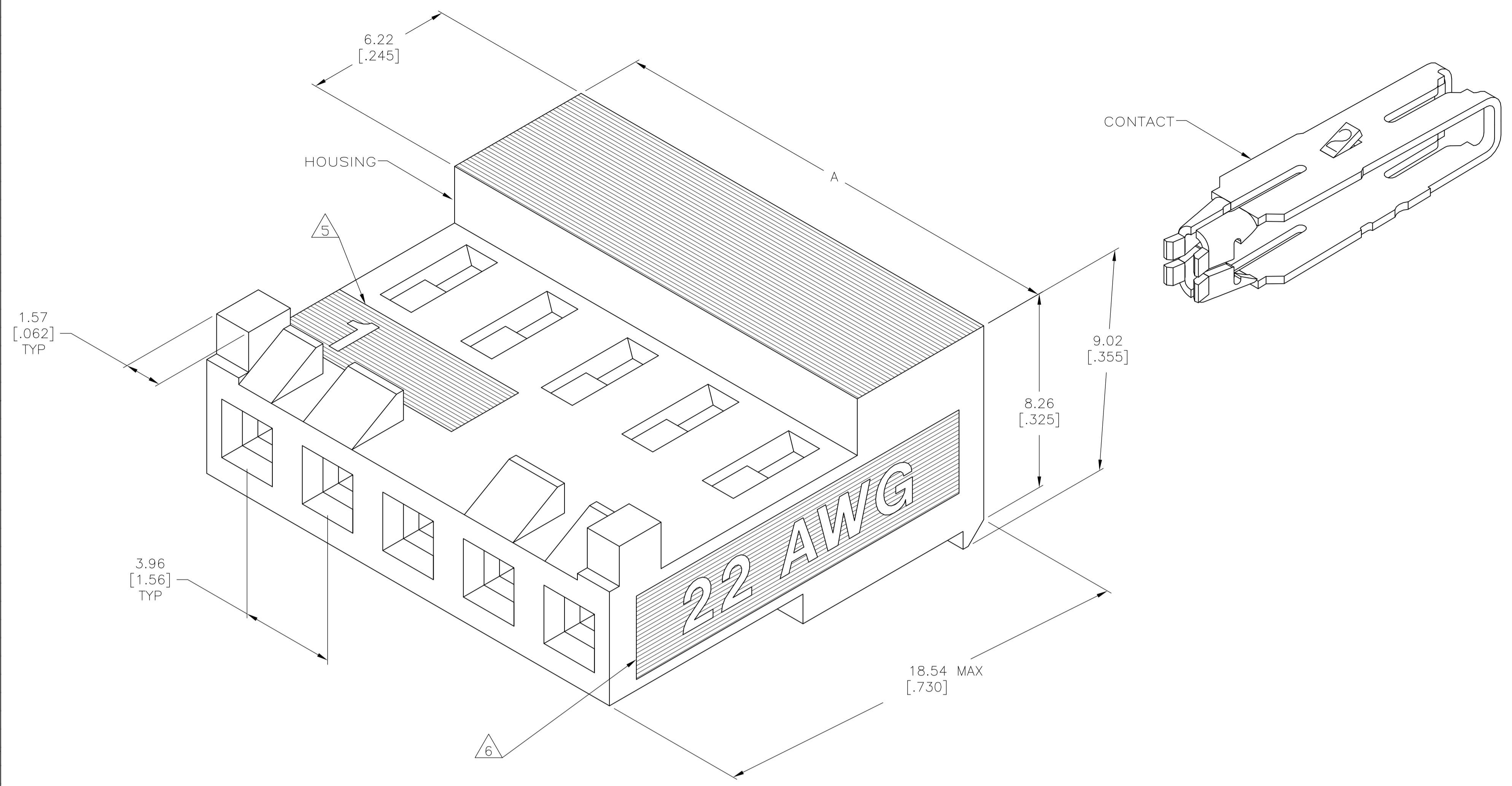
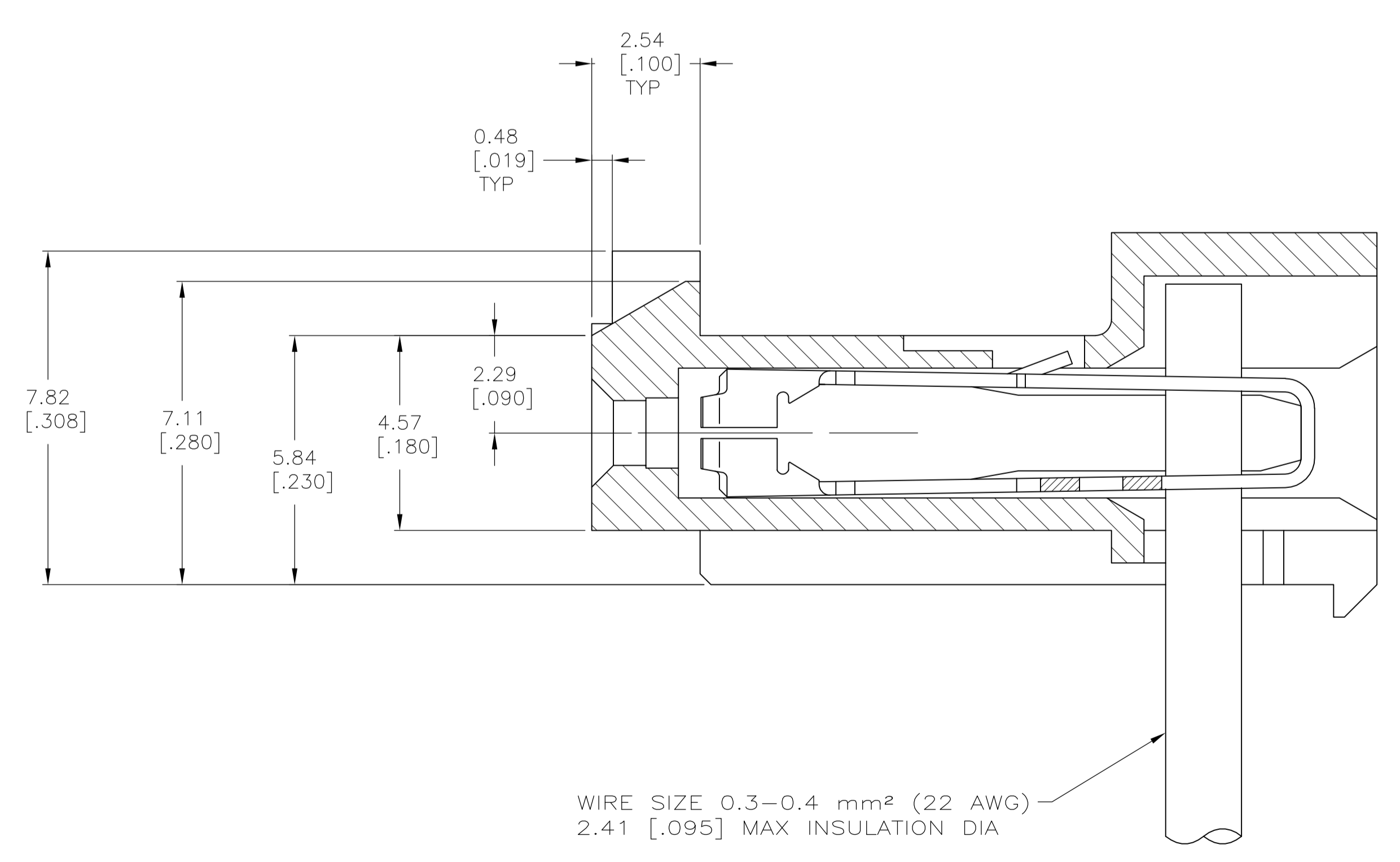


LOC		DIST		REVISIONS			
CM	54	REV	DATE	DESCRIPTION	DATE	BY	APPV
		D	22JUN07	ECO-07-012895		KW	DB
		D1	08OCT09	REVISED PER ECO-09-022908		KK	AEG



1. OPERATING TEMPERATURE: -55°C TO 105°C
2. MATERIAL: HOUSING, NYLON 6/6, UL 94V-0, BLACK CONTACT, 0.30 [.012] THICK COPPER ALLOY
3. FINISH: BRIGHT TIN-LEAD PLATE 0.00203-0.00508 [.000080-.000200"] THICK OR MATTE WHISKER MITIGATED TIN 0.00203 [.000080] MIN THICKNESS OVER NICKEL UNDERPLATE.
4. LUBRICATED WITH AMP ANTI-FRETTING LUBRICANT.
5. IDENTIFICATION NUMBER FOR FIRST CIRCUIT.
6. WIRE GAUGE IDENTIFICATION
7. DIMENSIONS IN BRACKETS ARE IN INCHES.
8. CONTACT MUST ACCEPT 1.14±0.03 [.045±.001] SQUARE POST AND REMAINED LOCKED IN POSITION.
9. OBSOLETE PARTS: OBSOLETE CIS STREAMLINING PER D.RENAUD/D.SINISI



TIN	47.55±0.30	[1.872±.012]	12	4-644383-2
TIN	43.59±0.30	[1.716±.012]	11	4-644383-1
TIN	39.62±0.30	[1.560±.012]	10	4-644383-0
TIN	35.66±0.30	[1.404±.012]	9	3-644383-9
TIN	31.70±0.30	[1.248±.012]	8	3-644383-8
TIN	27.74±0.30	[1.092±.012]	7	3-644383-7
TIN	23.77±0.30	[.936±.012]	6	3-644383-6
TIN	19.81±0.30	[.780±.012]	5	3-644383-5
TIN	15.85±0.15	[.624±.006]	4	3-644383-4
TIN	11.89±0.15	[.468±.006]	3	3-644383-3
TIN	7.92±0.15	[.312±.006]	2	3-644383-2
TIN-LEAD	47.55±0.30	[1.872±.012]	12	1-644383-2
9 SUPERCEDED TIN-LEAD	43.59±0.30	[1.716±.012]	11	1-644383-1
9 SUPERCEDED TIN-LEAD	39.62±0.30	[1.560±.012]	10	1-644383-0
9 SUPERCEDED TIN-LEAD	35.66±0.30	[1.404±.012]	9	644383-9
9 SUPERCEDED TIN-LEAD	31.70±0.30	[1.248±.012]	8	644383-8
TIN-LEAD	27.74±0.30	[1.092±.012]	7	644383-7
9 SUPERCEDED TIN-LEAD	23.77±0.30	[.936±.012]	6	644383-6
9 SUPERCEDED TIN-LEAD	19.81±0.30	[.780±.012]	5	644383-5
TIN-LEAD	15.85±0.15	[.624±.006]	4	644383-4
9 SUPERCEDED TIN-LEAD	11.89±0.15	[.468±.006]	3	644383-3
9 SUPERCEDED TIN-LEAD	7.92±0.15	[.312±.006]	2	644383-2

THIS DRAWING IS A CONTROLLED DOCUMENT.		DWN C. MARTIN 23 APR 90 CHK R. SWING 23 APR 90 APVD G. MILLER 24 APR 90	Tyco Electronics Corporation Harrisburg, PA 17105-3608
DIMENSIONS: mm [INCHES]	TOLERANCES UNLESS OTHERWISE SPECIFIED: 0 PLC ± - 1 PLC ± - 2 PLC ± - 3 PLC ± 0.13 [.005] 4 PLC ± - ANGLES ± -	NAME MTA-156 CONNECTOR ASSEMBLY, 108-1219 APPLICATION SPEC 114-1048	NO OF CKTS PART NO
MATERIAL	FINISH	WEIGHT A1 00779 C=644383	RESTRICTED TO CUSTOMER DRAWING
SCALE 10:1		SHEET 1 OF 1 REV D1	

X-ON Electronics

Largest Supplier of Electrical and Electronic Components

Click to view similar products for [Headers & Wire Housings](#) category:

Click to view products by [TE Connectivity](#) manufacturer:

Other Similar products are found below :

[892-18-020-10-001101](#) [58102-G61-06LF](#) [582553-1](#) [0009485154](#) [009176003701906](#) [0050291907](#) [LY20-4P-DT1-P1E-BR](#) [02.125.8002.8](#)
[609-3404](#) [61062-3](#) [61082-181009](#) [622-3653LF](#) [63453-116](#) [636-1030](#) [636-1427](#) [636-3427](#) [636-4007](#) [641938-9](#) [641991-4](#) [644827-2](#) [65817-](#)
[010LF](#) [65817-015LF](#) [65863-015LF](#) [66207-023LF](#) [67095-007LF](#) [67601157](#) [68645-018](#) [68648-049](#) [70.362.1628.0](#) [70-4210](#) [70-4226B](#) [70-](#)
[4853B](#) [707-5020](#) [707-5028](#) [71.350.2428.0](#) [71918-208LF](#) [71961-016LF](#) [733-134](#) [733-162](#) [754199-000](#) [760-3052](#) [79531-3000](#) [FCN-](#)
[360C032-B](#) [FCN-367T-T012/H](#) [FCN-723D010/2](#) [80.063.4001.1](#) [800-90-010-10-002000](#) [801-43-002-10-013000](#) [801-43-006-10-002000](#)
[801-93-011-10-001000](#)