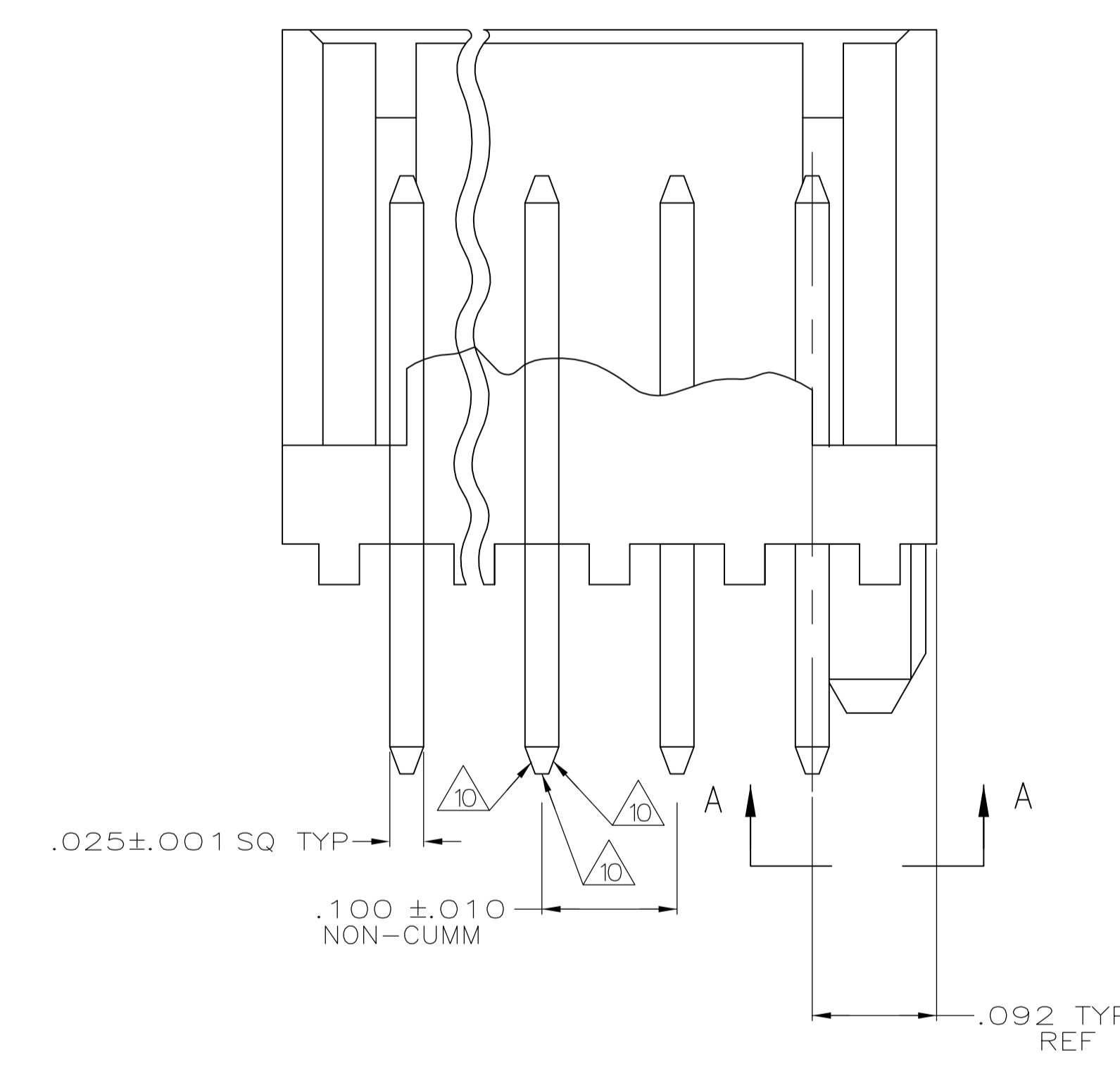
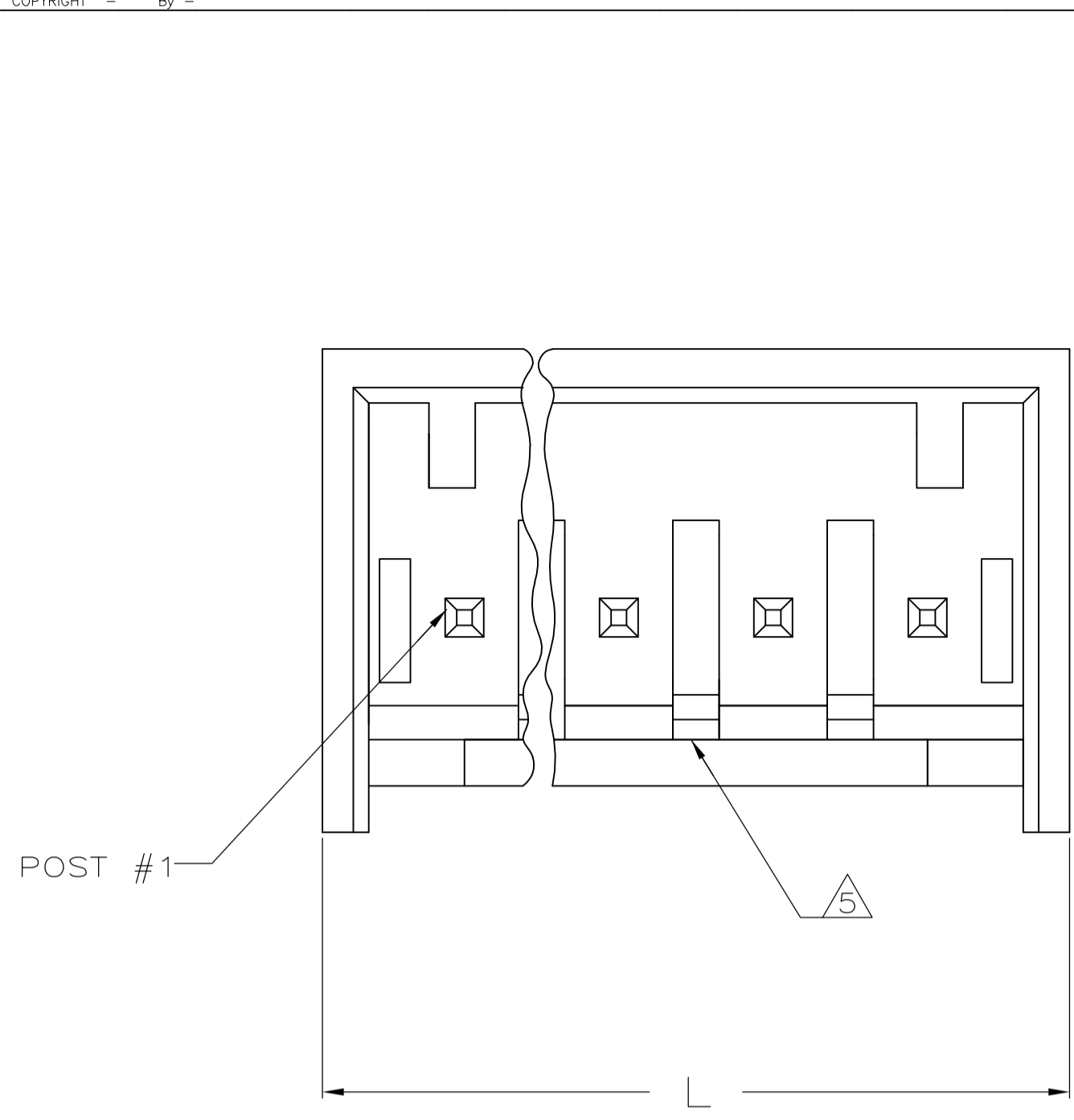
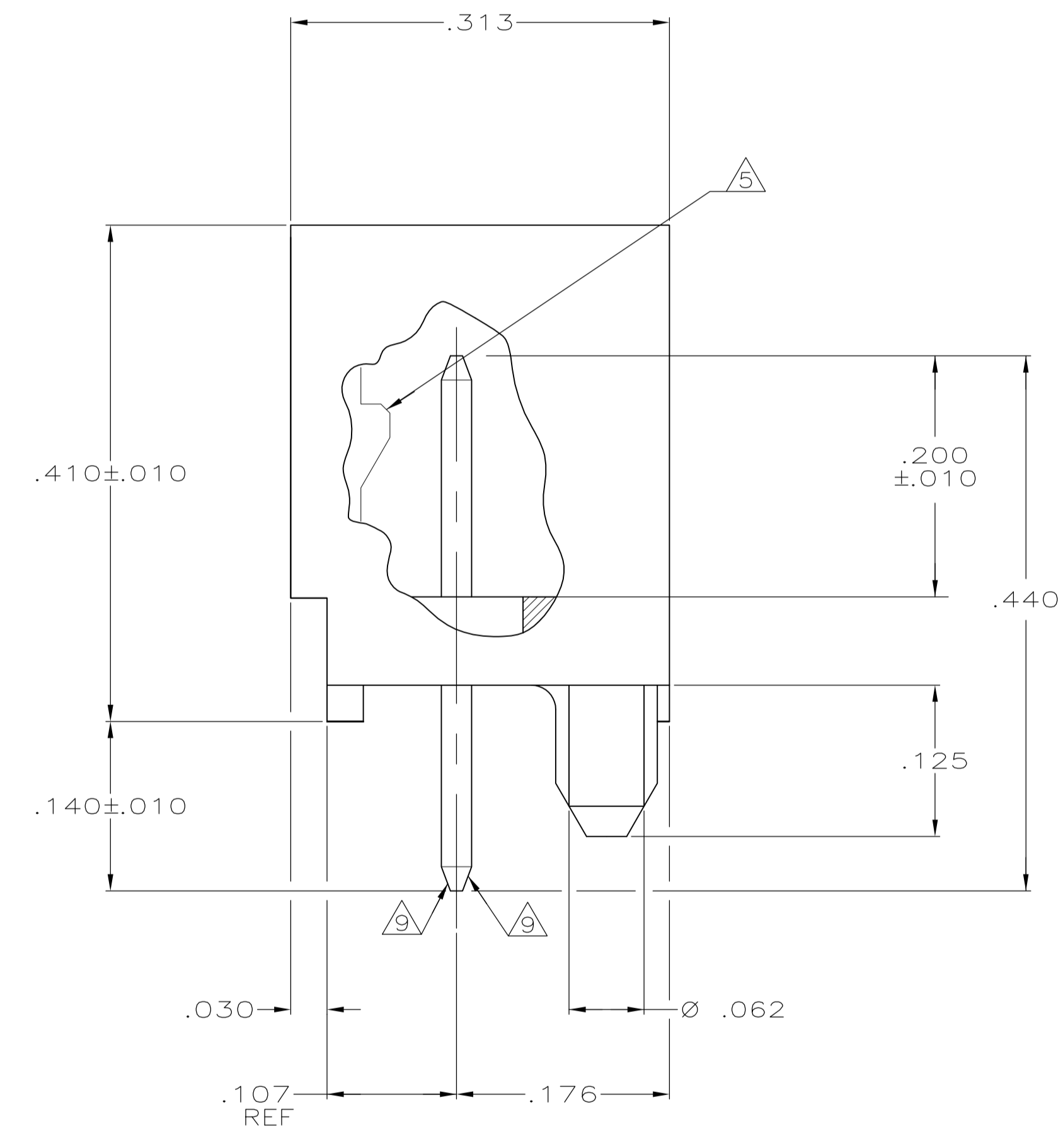
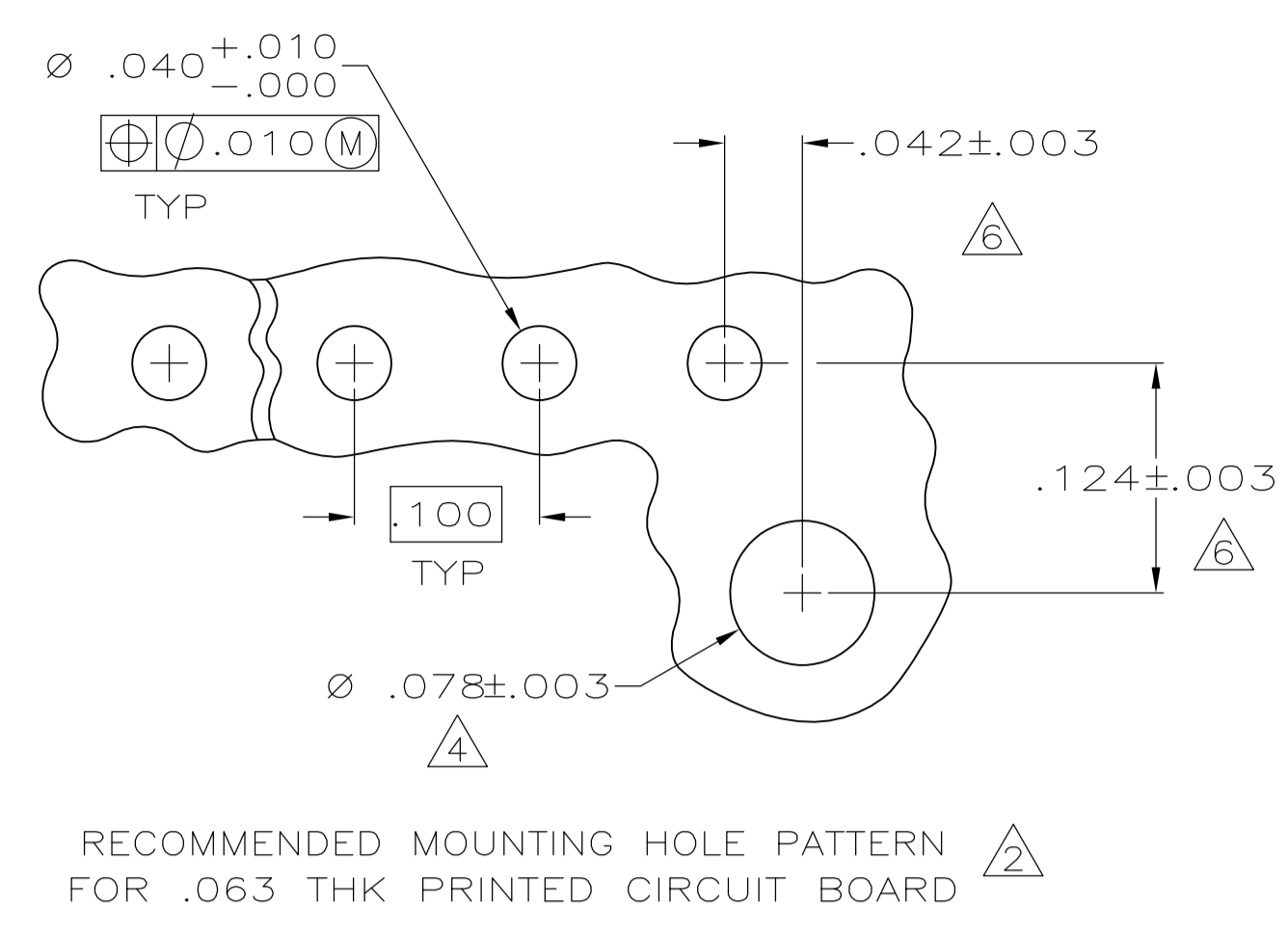
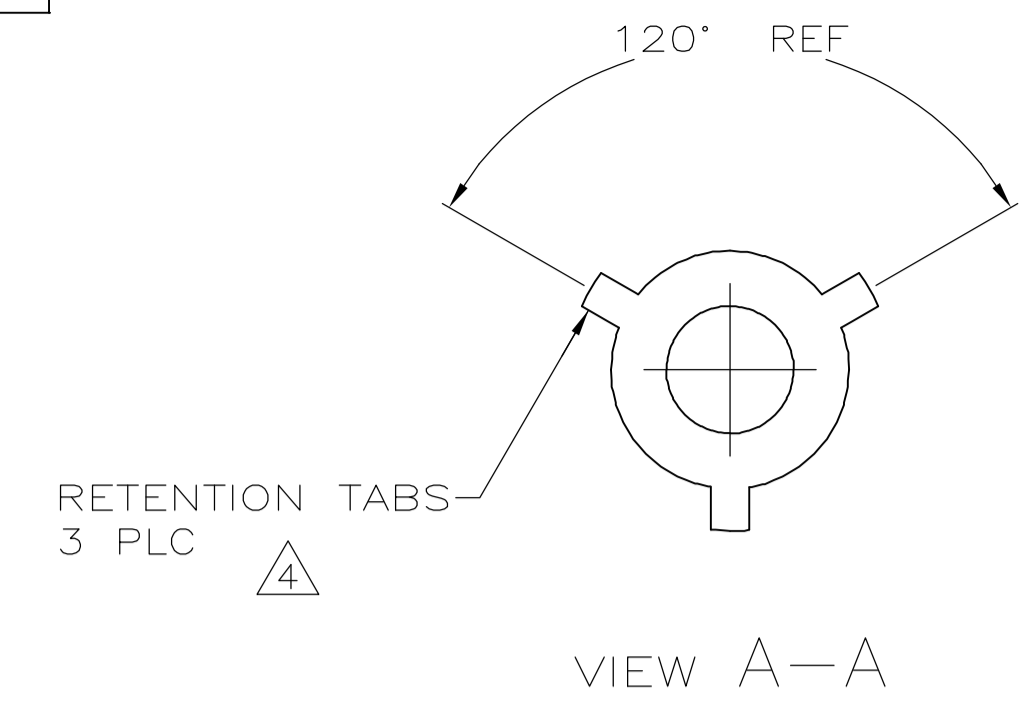


LOC		DIST		REVISIONS			
CM	00	P	LTR	DESCRIPTION	DATE	DMN	APVD
L				REVISED PER ECO-13-008064	13MAY13	DZ	YHM



.040	1.02	.124	3.15	—	—
.030	0.76	.107	2.72	.440	11.18
.025	0.64	.100	2.54	.410	10.41
.010	0.25	.092	2.34	.313	7.95
.005	0.13	.078	1.98	.200	5.08
.003	0.08	.063	1.6	.176	4.47
.001	0.03	.062	1.57	.140	3.56
.000	0	.042	1.07	.125	3.18
IN	MM	IN	MM	IN	MM

CONVERSION TABLE



- 1 MATERIAL: HEADER- POLYESTER UL94V-0 (BLACK)  
POST- COPPER ALLOY.
- 2 SOLDER SIDE OF P.C. BOARD SHOWN.
- 3 PARTS COMPLY WITH AMP SOLDERABILITY SPEC 109-11-12.
- 4 THE RETENTION TABS PROVIDE A ONE-TIME INTERFERENCE FIT IN THE .078 DIAMETER BOARD HOLE FOR HEADER ASSEMBLY RETENTION DURING SOLDERING.
- 5 LATCH DETENT FEATURE OCCURS 2 PLACES ON EACH END (MAXIMUM OF FOUR PER PART). FOR 2 THRU 5 CIRCUIT HEADERS, LATCH FEATURE OCCURS BETWEEN EACH CIRCUIT.
- 6 COORDINATE DIMENSION APPLIES FROM CENTER OF ACTUAL FEATURE.
- 7 POST: 100% MATTE TIN PLATED.
- 8 UL RECOGNIZED ( UR ) LOGO AND CSA LOGO WILL APPEAR ON THE SIDE OF THE PART. THE AMP LOGO MAY APPEAR ON THE SIDE OR ON BOTTOM OF PART.
- 9 TWO SIDES OF TAPER, AS SHOWN, MUST BE PLATED. TYPICAL, BOTH ENDS.
- 10 TWO SIDES OF TAPER, AS SHOWN, AND TIP MAY BE UNPLATED. TYPICAL, BOTH ENDS.
- 11 POST: MATTE TIN-LEAD (93/7) PLATED.

SUPERSEDED BY 3-644486-4
SUPERSEDED BY 3-644486-3
SUPERSEDED BY 3-644486-2
SUPERSEDED BY 3-644486-1
SUPERSEDED BY 3-644486-0
SUPERSEDED BY 2-644486-9
SUPERSEDED BY 2-644486-8
SUPERSEDED BY 2-644486-7
SUPERSEDED BY 2-644486-6
SUPERSEDED BY 2-644486-5
SUPERSEDED BY 2-644486-4
SUPERSEDED BY 2-644486-3
SUPERSEDED BY 2-644486-2

YES	7	1.484	37.69	14	3-644486-4
		1.384	35.15	13	3-644486-3
		1.284	32.61	12	3-644486-2
		1.184	30.07	11	3-644486-1
		1.084	27.53	10	3-644486-0
		.984	24.99	9	2-644486-9
		.884	22.45	8	2-644486-8
		.784	19.91	7	2-644486-7
		.684	17.37	6	2-644486-6
		.584	14.83	5	2-644486-5
		.484	12.29	4	2-644486-4
		.384	9.75	3	2-644486-3
		.284	7.21	2	2-644486-2

NO	11	1.484	37.69	14	1-644486-4
		1.384	35.15	13	1-644486-3
		1.284	32.61	12	1-644486-2
		1.184	30.07	11	1-644486-1
		1.084	27.53	10	1-644486-0
		.984	24.99	9	1-644486-9
		.884	22.45	8	1-644486-8
		.784	19.91	7	1-644486-7
		.684	17.37	6	1-644486-6
		.584	14.83	5	1-644486-5
		.484	12.29	4	1-644486-4
		.384	9.75	3	1-644486-3
		.284	7.21	2	1-644486-2

LEADFREE	FINISH	IN	MM	NO OF POSITIONS	PART NUMBER
		L		HEADER ASSEMBLY	

THIS DRAWING IS A CONTROLLED DOCUMENT.

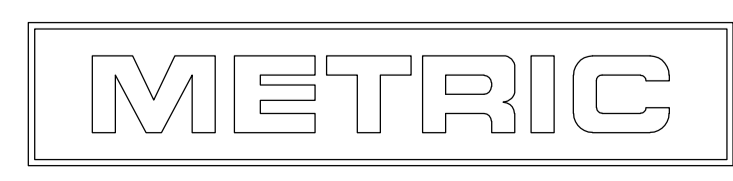
DIN S. CARPENTER 27MAY2003  
CHK: D. ROSSI 28MAY2003  
APVD: D. ROSSI 28MAY2003

TE Connectivity

MTA-100 SHROUDED HEADER ASSEMBLY, FRICTION LOCK, STRAIGHT POST, TIN OR TIN LEAD PLATED

SIZE: A1 CASE CODE: 00779 DRAWING NO: 644486 RESTRICTED TO: —

CUSTOMER DRAWING SCALE: 10:1 SHEET: 1 of 1 REV: L



## X-ON Electronics

Largest Supplier of Electrical and Electronic Components

*Click to view similar products for [Headers & Wire Housings](#) category:*

*Click to view products by [TE Connectivity](#) manufacturer:*

Other Similar products are found below :

[95000-104TRLF](#) [10135584-644402LF](#) [DF62W-EP2022PCA](#) [95000-106TRLF](#) [DF62W-2022SCA](#) [DF62W-EP2022PC](#) [2203348](#) [DF62W-2022SC](#) [1084018](#) [1029039](#) [1084017](#) [802-10-012-10-002000](#) [1112640](#) [1112639](#) [000-34000](#) [0009482033](#) [0009507031](#) [57102-S06-03LF](#) [57202-S52-04LF](#) [PCN6-15S-2.5E](#) [0039019024](#) [58102-G61-06LF](#) [582553-1](#) [0009508121](#) [0050291907](#) [018731A](#) [LY20-4P-DT1-P1E-BR](#) [02.125.8002.8](#) [60101931](#) [60598-1 \(Cut Strip\)](#) [M1625-3R/100](#) [61062-3](#) [61082-181009](#) [636-1427](#) [638009-1](#) [641938-9](#) [641991-4](#) [644168-1](#) [647662-1](#) [65039-019ELF](#) [65817-002LF](#) [65817-015LF](#) [65863-015LF](#) [66207-023LF](#) [67016-026LF](#) [67046-001LF](#) [67095-007LF](#) [68002-116](#) [68016-236H](#) [68648-049](#)