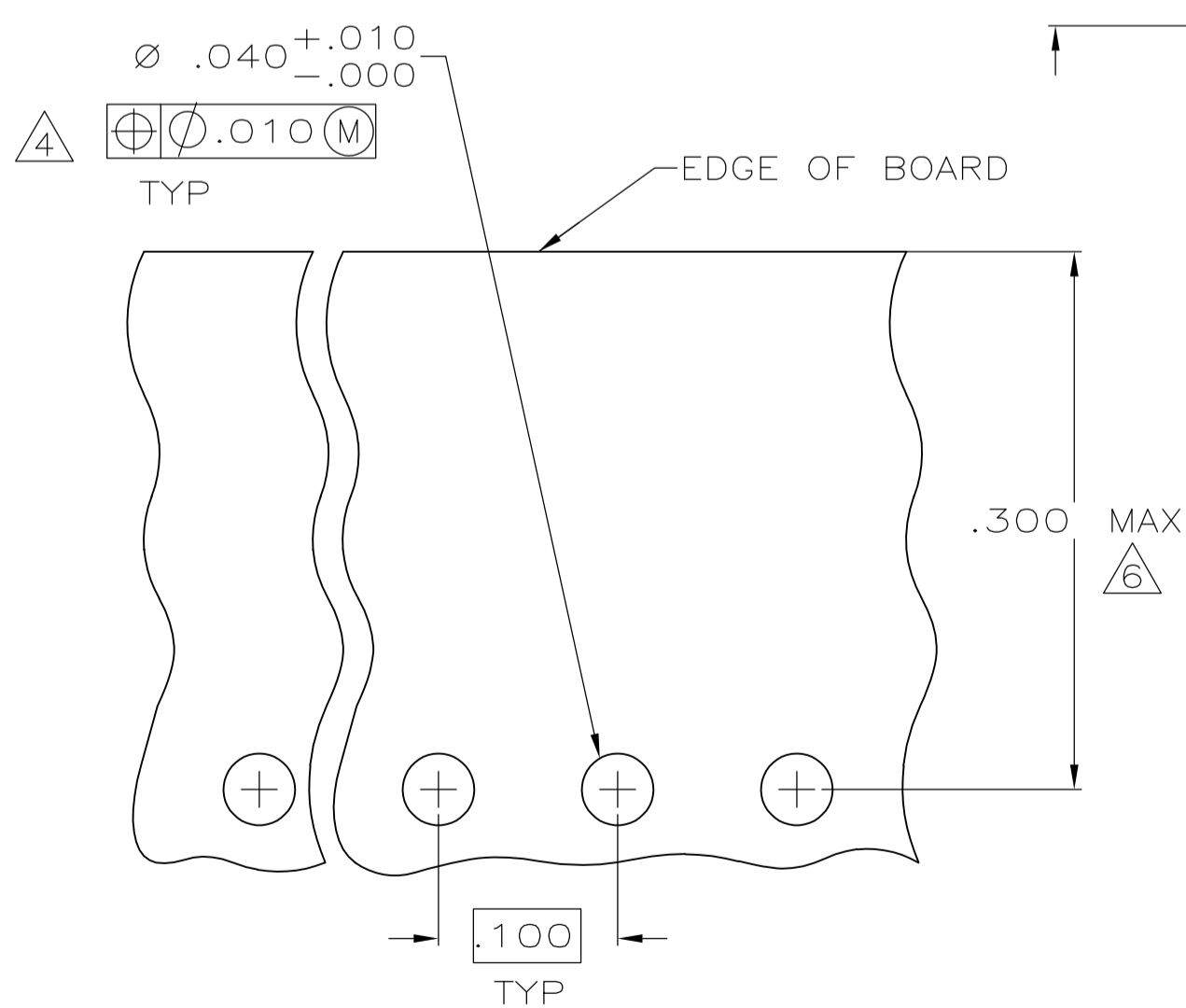
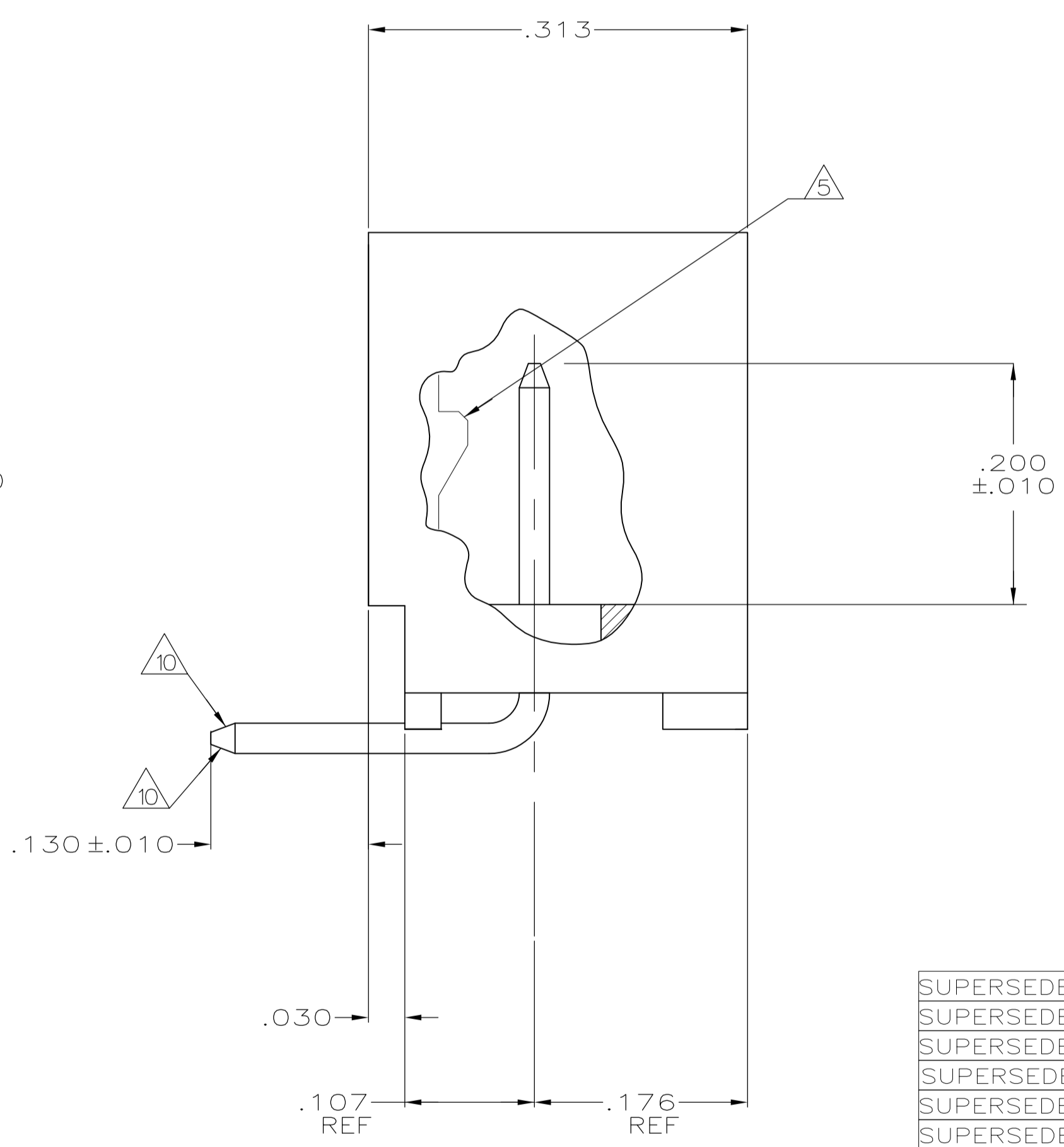
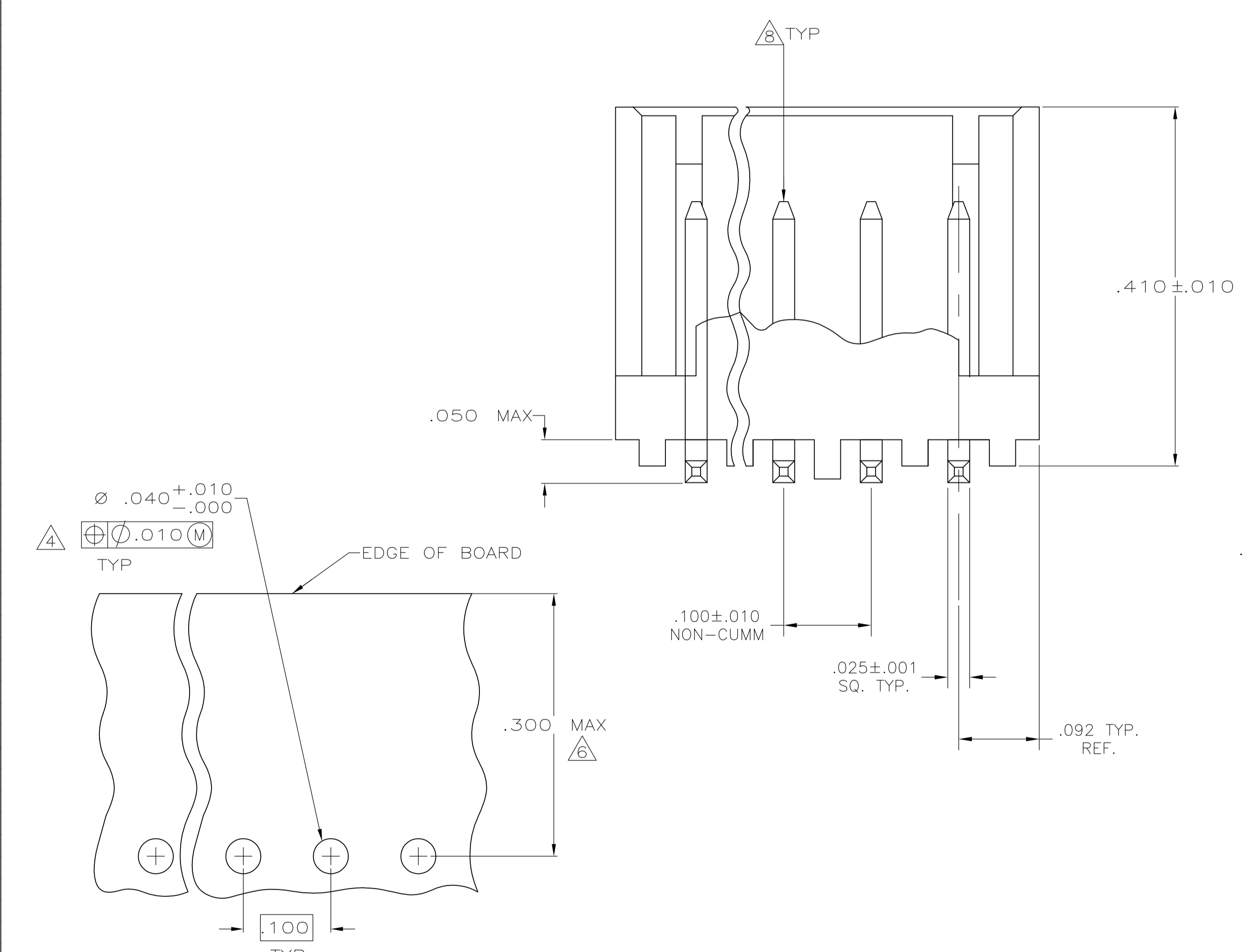


POSSIBLE MARKING CONFIGURATIONS  
SCALE 5:1

- 1 MATERIAL: HEADER- POLYESTER UL94V-0 (BLACK)  
POST- COPPER ALLOY.
- 2 SOLDER SIDE OF P.C. BOARD SHOWN.
- 3 PARTS COMPLY WITH AMP SOLDERABILITY SPEC 109-11-12.
- 4 ONE HOLE MAY BE UNDERSIZED (.032-.035 DIA) FOR  
ASSEMBLY RETENTION DURING WAVE SOLDERING.
- 5 LATCH DETENT FEATURE OCCURS 2 PLACES ON EACH END  
(MAXIMUM OF FOUR PER PART). FOR 2 THRU 5 CIRCUIT  
HEADERS, LATCH FEATURE OCCURS BETWEEN EACH CIRCUIT.
- 6 COORDINATE DIMENSION APPLIES FROM CENTER OF  
ACTUAL FEATURE.
- 7 POST: 100% MATTE TIN PLATED.
- 8 POST MUST WITHSTAND 3.0 (13.34 NEWTONS) LBS MIN  
FORCE WITHOUT DISLODGING, EITHER DIRECTION.
- 9 UL AND CSA LOGO WILL APPEAR IN THIS AREA.  
AMP LOGO MAY APPEAR IN THIS AREA OR ON BOTTOM OF PART.
- 10 TWO SIDES OF TAPER, AS SHOWN, MUST BE PLATED.  
TYPICAL, BOTH ENDS.
- 11 TWO SIDES OF TAPER, AS SHOWN, AND TIP MAY BE UNPLATED.  
TYPICAL, BOTH ENDS.
- 12 POST: MATTE TIN-LEAD (93/7) PLATED.



|      |      |      |      |      |       |
|------|------|------|------|------|-------|
| .035 | 0.89 | .176 | 4.47 | -    | -     |
| .032 | 0.81 | .130 | 3.3  | -    | -     |
| .030 | 0.76 | .107 | 2.72 | -    | -     |
| .025 | 0.64 | .100 | 2.54 | -    | -     |
| .010 | 0.25 | .092 | 2.34 | .410 | 10.41 |
| .005 | 0.13 | .063 | 1.6  | .313 | 7.95  |
| .001 | 0.03 | .050 | 1.27 | .300 | 7.62  |
| .000 | 0    | .040 | 1.02 | .200 | 5.08  |
| IN   | MM   | IN   | MM   | IN   | MM    |

CONVERSION TABLE

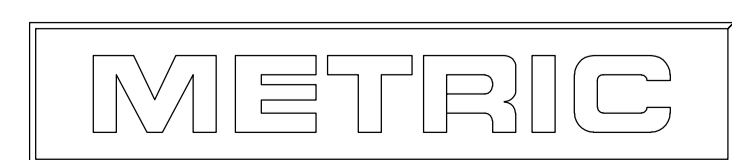
SUPERSEDED BY 3-644488-4  
 SUPERSEDED BY 3-644488-3  
 SUPERSEDED BY 3-644488-2  
 SUPERSEDED BY 3-644488-1  
 SUPERSEDED BY 3-644488-0  
 SUPERSEDED BY 2-644488-9  
 SUPERSEDED BY 2-644488-8  
 SUPERSEDED BY 2-644488-7  
 SUPERSEDED BY 2-644488-6  
 SUPERSEDED BY 2-644488-5  
 SUPERSEDED BY 2-644488-4  
 SUPERSEDED BY 2-644488-3  
 SUPERSEDED BY 2-644488-2

|     |   |       |       |    |            |
|-----|---|-------|-------|----|------------|
| YES | 7 | 1.484 | 37.69 | 14 | 3-644488-4 |
|     |   | 1.384 | 35.15 | 13 | 3-644488-3 |
|     |   | 1.284 | 32.61 | 12 | 3-644488-2 |
|     |   | 1.184 | 30.07 | 11 | 3-644488-1 |
|     |   | 1.084 | 27.53 | 10 | 3-644488-0 |
|     |   | .984  | 24.99 | 9  | 2-644488-9 |
|     |   | .884  | 22.45 | 8  | 2-644488-8 |
|     |   | .784  | 19.91 | 7  | 2-644488-7 |
|     |   | .684  | 17.37 | 6  | 2-644488-6 |
|     |   | .584  | 14.83 | 5  | 2-644488-5 |
|     |   | .484  | 12.29 | 4  | 2-644488-4 |
|     |   | .384  | 9.75  | 3  | 2-644488-3 |
|     |   | .284  | 7.21  | 2  | 2-644488-2 |

|    |    |       |       |    |            |
|----|----|-------|-------|----|------------|
| NO | 12 | 1.484 | 37.69 | 14 | 3-644488-4 |
|    |    | 1.384 | 35.15 | 13 | 3-644488-3 |
|    |    | 1.284 | 32.61 | 12 | 3-644488-2 |
|    |    | 1.184 | 30.07 | 11 | 3-644488-1 |
|    |    | 1.084 | 27.53 | 10 | 3-644488-0 |
|    |    | .984  | 24.99 | 9  | 2-644488-9 |
|    |    | .884  | 22.45 | 8  | 2-644488-8 |
|    |    | .784  | 19.91 | 7  | 2-644488-7 |
|    |    | .684  | 17.37 | 6  | 2-644488-6 |
|    |    | .584  | 14.83 | 5  | 2-644488-5 |
|    |    | .484  | 12.29 | 4  | 2-644488-4 |
|    |    | .384  | 9.75  | 3  | 2-644488-3 |
|    |    | .284  | 7.21  | 2  | 2-644488-2 |

|          |        |    |    |                 |             |
|----------|--------|----|----|-----------------|-------------|
| LEADFREE | FINISH | IN | MM | NO OF POSITIONS | PART NUMBER |
|          |        | L  |    | HEADER ASSEMBLY |             |

RECOMMENDED MOUNTING HOLE PATTERN FOR .063 THK PRINTED CIRCUIT BOARD



THIS DRAWING IS A CONTROLLED DOCUMENT.

DIMENSIONS: INCHES TOLERANCES UNLESS OTHERWISE SPECIFIED:

0 PLC ± -  
 1 PLC ± -  
 2 PLC ± -  
 3 PLC ± .005  
 4 PLC ± -  
 ANGLES ± -

MATERIAL: 1 FINISH: SEE TABLE

APPROVED: S. CARPENTER 27MAY2003  
 CHK: D. ROSSI 28MAY2003  
 APVD: D. ROSSI 28MAY2003

NAME: MTA-100 SHROUDED HEADER ASSEMBLY, FRICTION LOCK, RIGHT ANGLE POST, TIN OR TIN LEAD PLATED

SIZE: A1 CASE CODE: 00779C DRAWING NO: 644488

WEIGHT: RESTRICTED TO: -

CUSTOMER DRAWING SCALE: 10:1 SHEET: 1 of 1 REV: L

## X-ON Electronics

Largest Supplier of Electrical and Electronic Components

*Click to view similar products for [Headers & Wire Housings](#) category:*

*Click to view products by [TE Connectivity](#) manufacturer:*

Other Similar products are found below :

[95000-104TRLF](#) [10135584-644402LF](#) [DF62W-EP2022PCA](#) [95000-106TRLF](#) [DF62W-2022SCA](#) [DF62W-EP2022PC](#) [2203348](#) [DF62W-2022SC](#) [1084018](#) [1029039](#) [1084017](#) [802-10-012-10-002000](#) [1112640](#) [1112639](#) [000-34000](#) [0009482033](#) [0009507031](#) [57102-S06-03LF](#) [57202-S52-04LF](#) [PCN6-15S-2.5E](#) [0039019024](#) [58102-G61-06LF](#) [582553-1](#) [0009508121](#) [0050291907](#) [018731A](#) [LY20-4P-DT1-P1E-BR](#) [02.125.8002.8](#) [60101931](#) [60598-1 \(Cut Strip\)](#) [M1625-3R/100](#) [61062-3](#) [61082-181009](#) [636-1427](#) [638009-1](#) [641938-9](#) [641991-4](#) [644168-1](#) [647662-1](#) [65039-019ELF](#) [65817-002LF](#) [65817-015LF](#) [65863-015LF](#) [66207-023LF](#) [67016-026LF](#) [67046-001LF](#) [67095-007LF](#) [68002-116](#) [68016-236H](#) [68648-049](#)