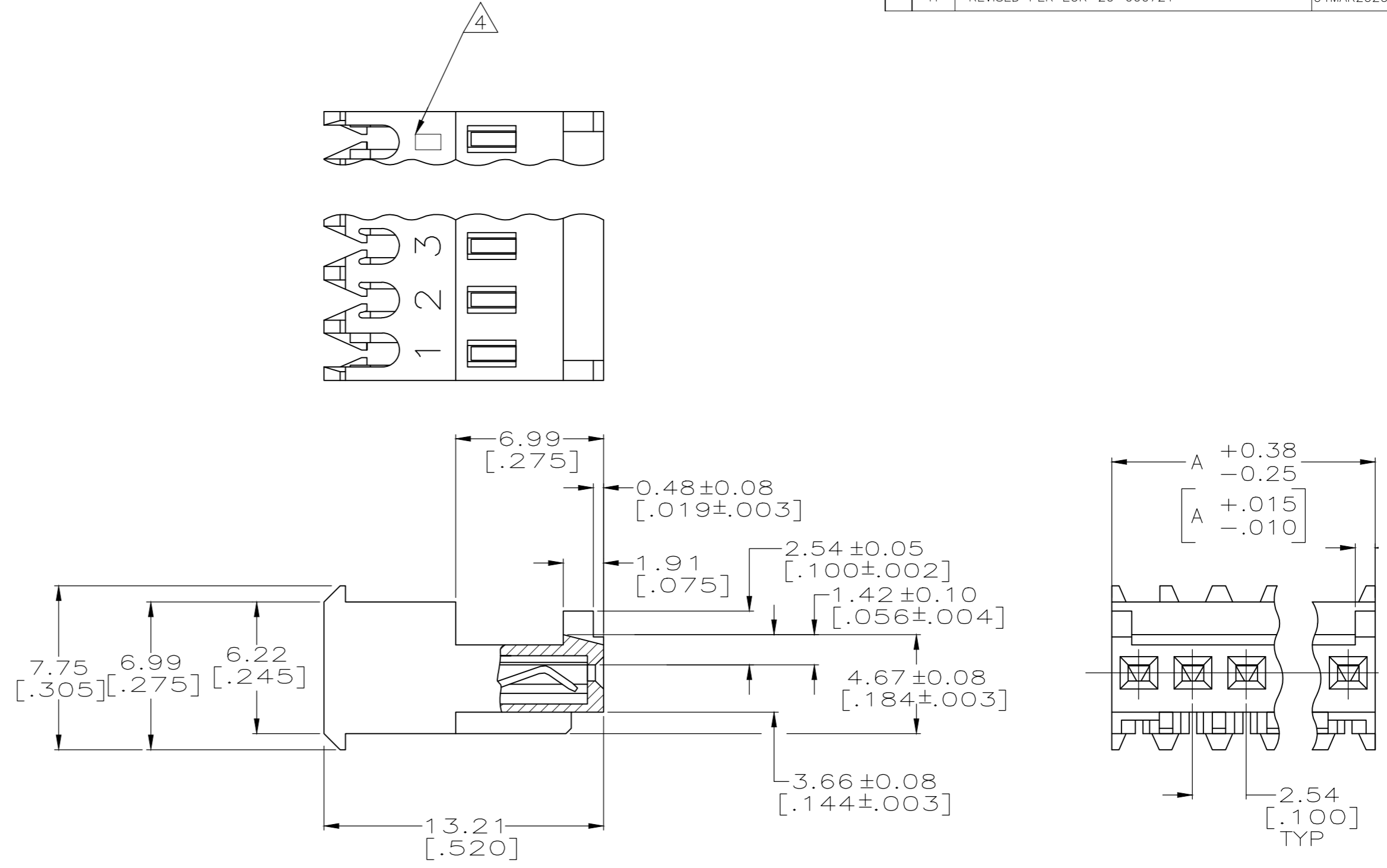


THIS DRAWING IS UNPUBLISHED. RELEASED FOR PUBLICATION  
 © COPYRIGHT - By - ALL RIGHTS RESERVED.

| LOC | DIST | REVISIONS |     |                           |           |     |      |
|-----|------|-----------|-----|---------------------------|-----------|-----|------|
| CM  | 00   | P         | LTR | DESCRIPTION               | DATE      | DWN | APVD |
|     |      | H         |     | REVISED PER ECR-20-000721 | 04MAR2020 | PC  | SW   |

|     |              |    |            |            |   |
|-----|--------------|----|------------|------------|---|
| YES | 60.96[2.400] | 24 | 5-644563-4 | 8-644563-4 | ⚠ |
| YES | 58.42[2.300] | 23 | 5-644563-3 | 8-644563-3 | ⚠ |
| YES | 55.88[2.200] | 22 | 5-644563-2 | 8-644563-2 | ⚠ |
| YES | 53.34[2.100] | 21 | 5-644563-1 | 8-644563-1 | ⚠ |
| YES | 50.80[2.000] | 20 | 5-644563-0 | 8-644563-0 | ⚠ |
| YES | 48.26[1.900] | 19 | 4-644563-9 | 7-644563-9 | ⚠ |
| YES | 45.72[1.800] | 18 | 4-644563-8 | 7-644563-8 | ⚠ |
| YES | 43.18[1.700] | 17 | 4-644563-7 | 7-644563-7 | ⚠ |
| YES | 40.64[1.600] | 16 | 4-644563-6 | 7-644563-6 | ⚠ |
| YES | 38.10[1.500] | 15 | 4-644563-5 | 7-644563-5 | ⚠ |
| YES | 35.56[1.400] | 14 | 4-644563-4 | 7-644563-4 | ⚠ |
| YES | 33.02[1.300] | 13 | 4-644563-3 | 7-644563-3 | ⚠ |
| YES | 30.48[1.200] | 12 | 4-644563-2 | 7-644563-2 | ⚠ |
| YES | 27.94[1.100] | 11 | 4-644563-1 | 7-644563-1 | ⚠ |
| YES | 25.40[1.000] | 10 | 4-644563-0 | 7-644563-0 | ⚠ |
| YES | 22.86[.900]  | 9  | 3-644563-9 | 6-644563-9 | ⚠ |
| YES | 20.32[.800]  | 8  | 3-644563-8 | 6-644563-8 | ⚠ |
| YES | 17.78[.700]  | 7  | 3-644563-7 | 6-644563-7 | ⚠ |
| YES | 15.24[.600]  | 6  | 3-644563-6 | 6-644563-6 | ⚠ |
| YES | 12.70[.500]  | 5  | 3-644563-5 | 6-644563-5 | ⚠ |
| YES | 10.16[.400]  | 4  | 3-644563-4 | 6-644563-4 | ⚠ |
| YES | 7.62[.300]   | 3  | 3-644563-3 | 6-644563-3 | ⚠ |
| YES | 5.08[.200]   | 2  | 3-644563-2 | 6-644563-2 | ⚠ |

|    |              |    |            |                          |   |
|----|--------------|----|------------|--------------------------|---|
| NO | 60.96[2.400] | 24 | 2-644563-4 | SUPERSEDED BY 5-644563-4 | ⚠ |
| NO | 58.42[2.300] | 23 | 2-644563-3 | SUPERSEDED BY 5-644563-3 | ⚠ |
| NO | 55.88[2.200] | 22 | 2-644563-2 | SUPERSEDED BY 5-644563-2 | ⚠ |
| NO | 53.34[2.100] | 21 | 2-644563-1 | SUPERSEDED BY 5-644563-1 | ⚠ |
| NO | 50.80[2.000] | 20 | 2-644563-0 | SUPERSEDED BY 5-644563-0 | ⚠ |
| NO | 48.26[1.900] | 19 | 1-644563-9 | OBSOLETE                 | ⚠ |
| NO | 45.72[1.800] | 18 | 1-644563-8 | SUPERSEDED BY 4-644563-8 | ⚠ |
| NO | 43.18[1.700] | 17 | 1-644563-7 | SUPERSEDED BY 4-644563-7 | ⚠ |
| NO | 40.64[1.600] | 16 | 1-644563-6 | SUPERSEDED BY 4-644563-6 | ⚠ |
| NO | 38.10[1.500] | 15 | 1-644563-5 | SUPERSEDED BY 4-644563-5 | ⚠ |
| NO | 35.56[1.400] | 14 | 1-644563-4 | OBSOLETE                 | ⚠ |
| NO | 33.02[1.300] | 13 | 1-644563-3 | SUPERSEDED BY 4-644563-3 | ⚠ |
| NO | 30.48[1.200] | 12 | 1-644563-2 | SUPERSEDED BY 4-644563-2 | ⚠ |
| NO | 27.94[1.100] | 11 | 1-644563-1 | SUPERSEDED BY 4-644563-1 | ⚠ |
| NO | 25.40[1.000] | 10 | 1-644563-0 | SUPERSEDED BY 4-644563-0 | ⚠ |
| NO | 22.86[.900]  | 9  | 644563-9   | SUPERSEDED BY 3-644563-9 | ⚠ |
| NO | 20.32[.800]  | 8  | 644563-8   | SUPERSEDED BY 3-644563-8 | ⚠ |
| NO | 17.78[.700]  | 7  | 644563-7   | SUPERSEDED BY 3-644563-7 | ⚠ |
| NO | 15.24[.600]  | 6  | 644563-6   | SUPERSEDED BY 3-644563-6 | ⚠ |
| NO | 12.70[.500]  | 5  | 644563-5   | SUPERSEDED BY 3-644563-5 | ⚠ |
| NO | 10.16[.400]  | 4  | 644563-4   | SUPERSEDED BY 3-644563-4 | ⚠ |
| NO | 7.62[.300]   | 3  | 644563-3   | SUPERSEDED BY 3-644563-3 | ⚠ |
| NO | 5.08[.200]   | 2  | 644563-2   | SUPERSEDED BY 3-644563-2 | ⚠ |



- 1 MATERIAL: CONNECTOR - NYLON UL94V-2 (WHITE);  
CONTACTS - 0.30[.012] THICK COPPER ALLOY;  
BRIGHT TIN-LEAD .00203[.000080] MIN THICKNESS FOR 644563-2 THRU 2-644563-8;  
MATTE WHISKER MITIGATED TIN .00203[.000080] MIN THICKNESS  
OVER NICKEL UNDERPLATE FOR 3-644563-2 THRU 5-644563-4;  
0.00038[.000015] GOLD IN CONTACT AREA, WITH MATTE TIN OVER NICKEL UNDERPLATE  
FOR 6-644563-2 THRU 8-644563-4;
- 2. CONTACTS ACCEPT 24 AWG WIRE WITH 1.52[.060] MAX INSULATION DIAMETER.
- 3. CONTACTS MUST ACCEPT 0.64±0.03[.025] POST AND REMAIN LOCKED IN POSITION.
- 4 IDENTIFICATION NUMBER FOR LAST CIRCUIT MAY NOT APPEAR ON ALL ASSEMBLIES.
- 5. DIMENSIONS IN BRACKETS ARE IN INCHES.
- 6. HOUSING FEATURES ARE: FEED THRU WITH LOCKING RAMP AND WITH POLARIZING TAB.
- 7 OBSOLETE PARTS.
- 8 PRELIMINARY - NOT FOR PRODUCTION FOR 6-644563-2 THRU 8-644563-4.

|  |  |                                  |                 |               |
|--|--|----------------------------------|-----------------|---------------|
| THIS DRAWING IS A CONTROLLED DOCUMENT. |  | DWN<br>S. CARPENTER<br>12JUN2003 | TE Connectivity |               |
| DIMENSIONS:<br>mm [INCHES]             |  | CHK<br>D. BOSSI<br>12JUN2003     |                 |               |
| TOLERANCES UNLESS OTHERWISE SPECIFIED: |  | APVD<br>D. BOSSI<br>12JUN2003    | PRODUCT SPEC    | RESTRICTED TO |
| 0 PLC ±                                |  | 108-1050                         |                 |               |
| 1 PLC ±                                |  | APPLICATION SPEC                 |                 |               |
| 2 PLC ± 0.13 [.005]                    |  | 114-1019                         |                 |               |
| 3 PLC ±                                |  | WEIGHT                           |                 |               |
| 4 PLC ±                                |  | A2 00779 C-644563                |                 |               |
| ANGLES ±                               |  | CUSTOMER DRAWING                 |                 |               |
| MATERIAL 1                             |  | SCALE 5:1                        |                 | SHEET 1 of 1  |
| FINISH 1                               |  | REV H                            |                 |               |

644563

A

## X-ON Electronics

Largest Supplier of Electrical and Electronic Components

*Click to view similar products for [Headers & Wire Housings](#) category:*

*Click to view products by [TE Connectivity](#) manufacturer:*

Other Similar products are found below :

[892-18-020-10-001101](#) [58102-G61-06LF](#) [582553-1](#) [0009485154](#) [009176003701906](#) [0050291907](#) [LY20-4P-DT1-P1E-BR](#) [02.125.8002.8](#)  
[609-3404](#) [61062-3](#) [61082-181009](#) [622-3653LF](#) [63453-116](#) [636-1030](#) [636-1427](#) [636-3427](#) [636-4007](#) [641938-9](#) [641991-4](#) [644827-2](#) [65817-010LF](#) [65817-015LF](#) [65863-015LF](#) [66207-023LF](#) [67095-007LF](#) [67601157](#) [68645-018](#) [68648-049](#) [70.362.1628.0](#) [70-4210](#) [70-4226B](#) [70-4853B](#) [707-5020](#) [707-5028](#) [71.350.2428.0](#) [71918-208LF](#) [71961-016LF](#) [733-134](#) [733-162](#) [754199-000](#) [760-3052](#) [787-8014-00](#) [79531-3000](#)  
[FCN-360C032-B](#) [FCN-367T-T012/H](#) [FCN-723D010/2](#) [80.063.4001.1](#) [800-90-001-10-001000](#) [800-90-010-10-002000](#) [801-43-002-10-013000](#)