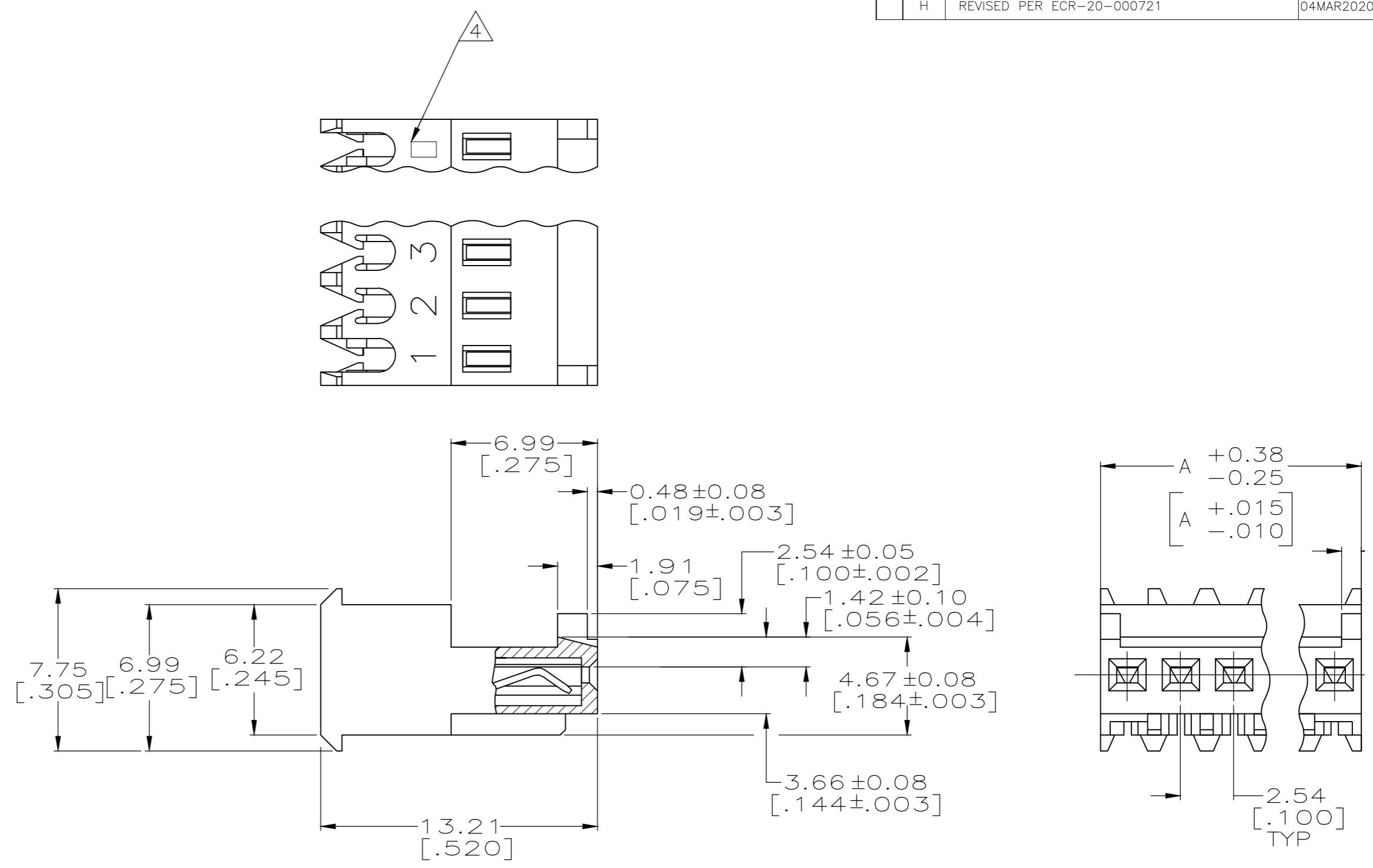


THIS DRAWING IS UNPUBLISHED. RELEASED FOR PUBLICATION  
 © COPYRIGHT - By - ALL RIGHTS RESERVED.

LOC	DIST	REVISIONS			
P	LTR	DESCRIPTION	DATE	DWN	APVD
CM	00	H	REVISED PER ECR-20-000721	04MAR2020	PC SW

YES	60.96[2.400]	24	5-644563-4	8-644563-4	⚠
YES	58.42[2.300]	23	5-644563-3	8-644563-3	⚠
YES	55.88[2.200]	22	5-644563-2	8-644563-2	⚠
YES	53.34[2.100]	21	5-644563-1	8-644563-1	⚠
YES	50.80[2.000]	20	5-644563-0	8-644563-0	⚠
YES	48.26[1.900]	19	4-644563-9	7-644563-9	⚠
YES	45.72[1.800]	18	4-644563-8	7-644563-8	⚠
YES	43.18[1.700]	17	4-644563-7	7-644563-7	⚠
YES	40.64[1.600]	16	4-644563-6	7-644563-6	⚠
YES	38.10[1.500]	15	4-644563-5	7-644563-5	⚠
YES	35.56[1.400]	14	4-644563-4	7-644563-4	⚠
YES	33.02[1.300]	13	4-644563-3	7-644563-3	⚠
YES	30.48[1.200]	12	4-644563-2	7-644563-2	⚠
YES	27.94[1.100]	11	4-644563-1	7-644563-1	⚠
YES	25.40[1.000]	10	4-644563-0	7-644563-0	⚠
YES	22.86[.900]	9	3-644563-9	6-644563-9	⚠
YES	20.32[.800]	8	3-644563-8	6-644563-8	⚠
YES	17.78[.700]	7	3-644563-7	6-644563-7	⚠
YES	15.24[.600]	6	3-644563-6	6-644563-6	⚠
YES	12.70[.500]	5	3-644563-5	6-644563-5	⚠
YES	10.16[.400]	4	3-644563-4	6-644563-4	⚠
YES	7.62[.300]	3	3-644563-3	6-644563-3	⚠
YES	5.08[.200]	2	3-644563-2	6-644563-2	⚠

NO	60.96[2.400]	24	2-644563-4	SUPERSEDED BY 5-644563-4	⚠
NO	58.42[2.300]	23	2-644563-3	SUPERSEDED BY 5-644563-3	⚠
NO	55.88[2.200]	22	2-644563-2	SUPERSEDED BY 5-644563-2	⚠
NO	53.34[2.100]	21	2-644563-1	SUPERSEDED BY 5-644563-1	⚠
NO	50.80[2.000]	20	2-644563-0	SUPERSEDED BY 5-644563-0	⚠
NO	48.26[1.900]	19	1-644563-9	OBSOLETE	⚠
NO	45.72[1.800]	18	1-644563-8	SUPERSEDED BY 4-644563-8	⚠
NO	43.18[1.700]	17	1-644563-7	SUPERSEDED BY 4-644563-7	⚠
NO	40.64[1.600]	16	1-644563-6	SUPERSEDED BY 4-644563-6	⚠
NO	38.10[1.500]	15	1-644563-5	SUPERSEDED BY 4-644563-5	⚠
NO	35.56[1.400]	14	1-644563-4	OBSOLETE	⚠
NO	33.02[1.300]	13	1-644563-3	SUPERSEDED BY 4-644563-3	⚠
NO	30.48[1.200]	12	1-644563-2	SUPERSEDED BY 4-644563-2	⚠
NO	27.94[1.100]	11	1-644563-1	SUPERSEDED BY 4-644563-1	⚠
NO	25.40[1.000]	10	1-644563-0	SUPERSEDED BY 4-644563-0	⚠
NO	22.86[.900]	9	644563-9	SUPERSEDED BY 3-644563-9	⚠
NO	20.32[.800]	8	644563-8	SUPERSEDED BY 3-644563-8	⚠
NO	17.78[.700]	7	644563-7	SUPERSEDED BY 3-644563-7	⚠
NO	15.24[.600]	6	644563-6	SUPERSEDED BY 3-644563-6	⚠
NO	12.70[.500]	5	644563-5	SUPERSEDED BY 3-644563-5	⚠
NO	10.16[.400]	4	644563-4	SUPERSEDED BY 3-644563-4	⚠
NO	7.62[.300]	3	644563-3	SUPERSEDED BY 3-644563-3	⚠
NO	5.08[.200]	2	644563-2	SUPERSEDED BY 3-644563-2	⚠



- 1 MATERIAL: CONNECTOR - NYLON UL94V-2 (WHITE);  
CONTACTS - 0.30[.012] THICK COPPER ALLOY;  
BRIGHT TIN-LEAD .00203[.000080] MIN THICKNESS FOR 644563-2 THRU 2-644563-8;  
MATTE WHISKER MITIGATED TIN .00203[.000080] MIN THICKNESS  
OVER NICKEL UNDERPLATE FOR 3-644563-2 THRU 5-644563-4;  
0.00038[.000015] GOLD IN CONTACT AREA, WITH MATTE TIN OVER NICKEL UNDERPLATE  
FOR 6-644563-2 THRU 8-644563-4;
- 2. CONTACTS ACCEPT 24 AWG WIRE WITH 1.52[.060] MAX INSULATION DIAMETER.
- 3. CONTACTS MUST ACCEPT 0.64±0.03[.025] POST AND REMAIN LOCKED IN POSITION.
- 4 IDENTIFICATION NUMBER FOR LAST CIRCUIT MAY NOT APPEAR ON ALL ASSEMBLIES.
- 5. DIMENSIONS IN BRACKETS ARE IN INCHES.
- 6. HOUSING FEATURES ARE: FEED THRU WITH LOCKING RAMP AND WITH POLARIZING TAB.
- 7 OBSOLETE PARTS.
- 8 PRELIMINARY - NOT FOR PRODUCTION FOR 6-644563-2 THRU 8-644563-4.

THIS DRAWING IS A CONTROLLED DOCUMENT.		DWN S. CARPENTER 12JUN2003	TE Connectivity	
DIMENSIONS: mm [INCHES]		CHK D. BOSSI 12JUN2003		
TOLERANCES UNLESS OTHERWISE SPECIFIED:		APVD D. BOSSI 12JUN2003	MTA-100 CONNECTOR ASSEMBLY, 24 AWG, STANDARD	
0 PLC ± 1 PLC ± 2 PLC ± 3 PLC ± 0.13 [.005] 4 PLC ±		PRODUCT SPEC 108-1050	APPLICATION SPEC	RESTRICTED TO
MATERIAL		114-1019	SIZE A2	CAGE CODE 00779
FINISH		WEIGHT	DRAWING NO 644563	REV H
1		CUSTOMER DRAWING		SCALE 5:1 SHEET 1 of 1

644563

A

## X-ON Electronics

Largest Supplier of Electrical and Electronic Components

*Click to view similar products for [Headers & Wire Housings](#) category:*

*Click to view products by [TE Connectivity](#) manufacturer:*

Other Similar products are found below :

[892-18-020-10-001101](#) [58102-G61-06LF](#) [582553-1](#) [0009485154](#) [009176003701906](#) [0050291907](#) [LY20-4P-DT1-P1E-BR](#) [02.125.8002.8](#)  
[609-3404](#) [61062-3](#) [61082-181009](#) [622-3653LF](#) [63453-116](#) [636-1030](#) [636-1427](#) [636-3427](#) [636-4007](#) [641938-9](#) [641991-4](#) [644827-2](#) [65817-010LF](#) [65817-015LF](#) [65863-015LF](#) [66207-023LF](#) [67095-007LF](#) [67601157](#) [68645-018](#) [68648-049](#) [70.362.1628.0](#) [70-4210](#) [70-4226B](#) [70-4853B](#) [707-5020](#) [707-5028](#) [71.350.2428.0](#) [71918-208LF](#) [71961-016LF](#) [733-134](#) [733-162](#) [754199-000](#) [760-3052](#) [787-8014-00](#) [79531-3000](#)  
[FCN-360C032-B](#) [FCN-367T-T012/H](#) [FCN-723D010/2](#) [80.063.4001.1](#) [800-90-001-10-001000](#) [800-90-010-10-002000](#) [801-43-002-10-013000](#)