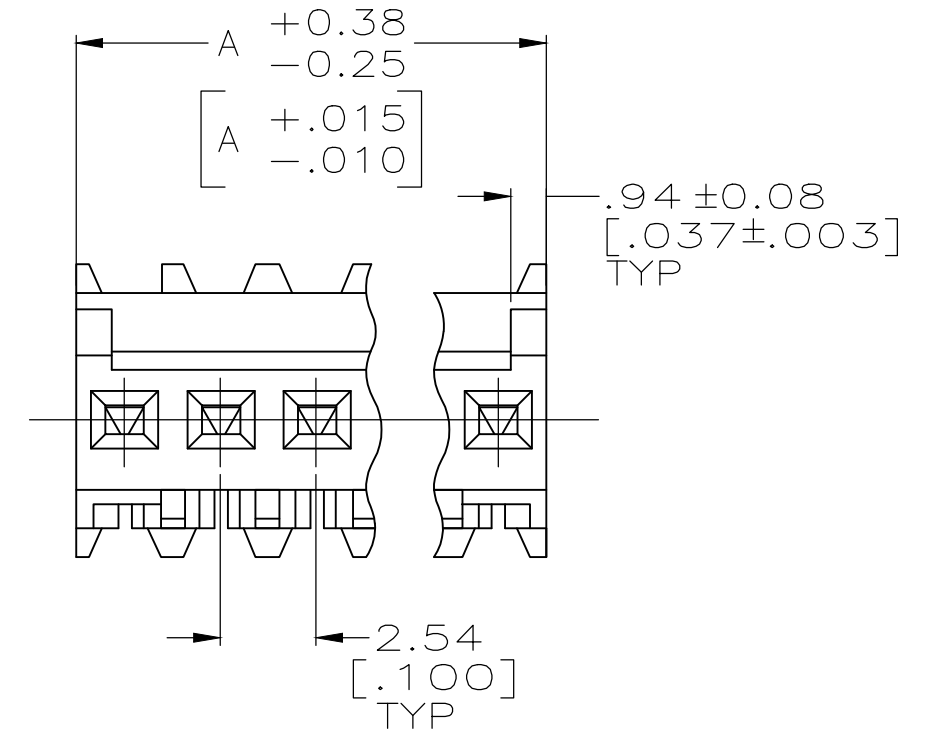
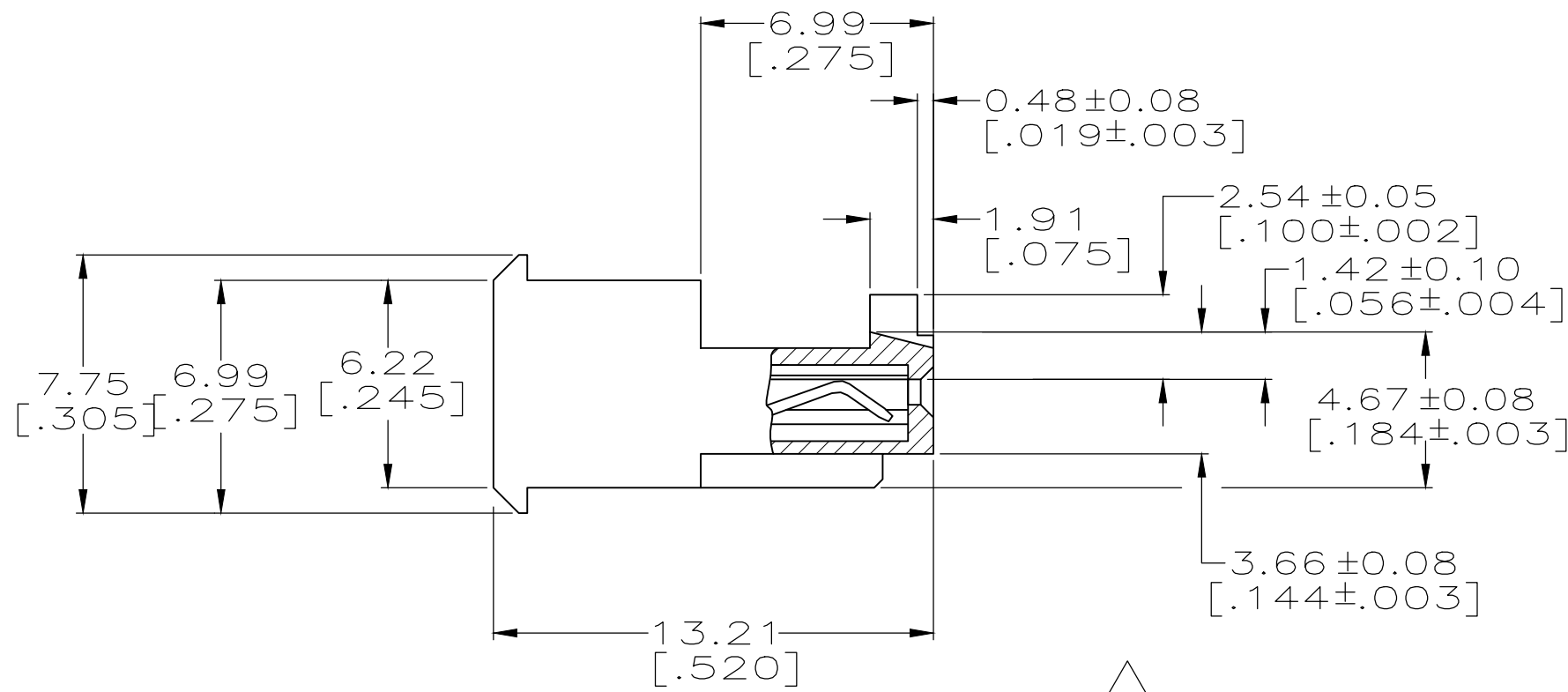
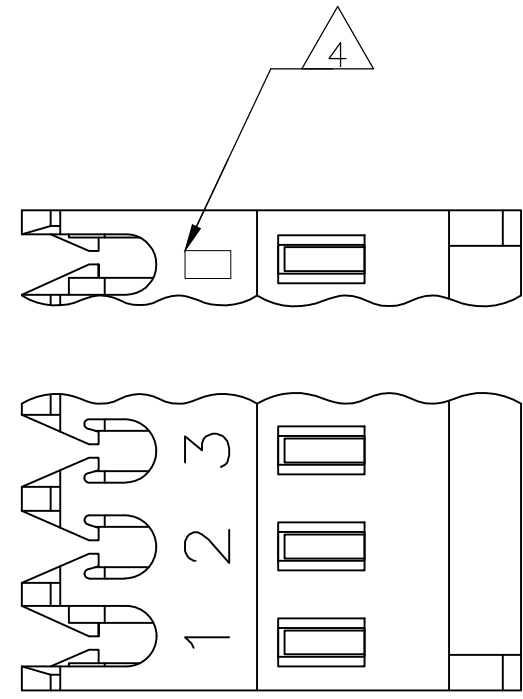


THIS DRAWING IS UNPUBLISHED. RELEASED FOR PUBLICATION  
 © COPYRIGHT - By - TE CONNECTIVITY ALL RIGHTS RESERVED.

LOC	DIST	REVISIONS					
CM	00	P	LTR	DESCRIPTION	DATE	DWN	APVD
		F		REVISED PER ECR-20-000725	20MAY2020	PC	SW

60.96[2.400]	24	5-644564-4
55.88[2.200]	22	5-644564-2
53.34[2.100]	21	5-644564-1
50.80[2.000]	20	5-644564-0
48.26[1.900]	19	4-644564-9
45.72[1.800]	18	4-644564-8
43.18[1.700]	17	4-644564-7
40.64[1.600]	16	4-644564-6
38.10[1.500]	15	4-644564-5
35.56[1.400]	14	4-644564-4
33.02[1.300]	13	4-644564-3
30.48[1.200]	12	4-644564-2
27.94[1.100]	11	4-644564-1
25.40[1.000]	10	4-644564-0
22.86[.900]	9	3-644564-9
20.32[.800]	8	3-644564-8
17.78[.700]	7	3-644564-7
15.24[.600]	6	3-644564-6
12.70[.500]	5	3-644564-5
10.16[.400]	4	3-644564-4
7.62[.300]	3	3-644564-3
5.08[.200]	2	3-644564-2



60.96[2.400]	24	2-644564-4	SUPERSEDED
55.88[2.200]	22	2-644564-2	SUPERSEDED
38.10[1.500]	15	1-644564-5	
35.56[1.400]	14	1-644564-4	
33.02[1.300]	13	1-644564-3	
30.48[1.200]	12	1-644564-2	
27.94[1.100]	11	1-644564-1	
25.40[1.000]	10	1-644564-0	
22.86[.900]	9	1-644564-9	
20.32[.800]	8	1-644564-8	
17.78[.700]	7	1-644564-7	
15.24[.600]	6	1-644564-6	
12.70[.500]	5	1-644564-5	
10.16[.400]	4	1-644564-4	
7.62[.300]	3	1-644564-3	
5.08[.200]	2	1-644564-2	

SUPERSEDED

SUPERSEDED

SUPERSEDED

OBSOLETE

SUPERSEDED

SUPERSEDED

SUPERSEDED

SUPERSEDED

- 1 MATERIAL: CONNECTOR - NYLON UL94V-2 (BLUE).  
CONTACTS - 0.30[.012] THICK COPPER ALLOY BRIGHT TIN-LEAD .00203[.000080] MIN THICKNESS FOR 644564-2 THRU 2-644564-8.  
MATTE WHISKER MITIGATED TIN .00203[.000080] MIN THICKNESS OVER NICKEL UNDERPLATE FOR 3-644564-2 THRU 5-644564-4.
- 2 CONTACTS ACCEPT 26 AWG WIRE WITH 1.52[.060] MAX INSULATION DIAMETER.
- 3 CONTACTS MUST ACCEPT 0.64±0.03[.025±.001] SQUARE POST AND REMAIN LOCKED IN POSITION.
- 4 IDENTIFICATION NUMBER FOR LAST CIRCUIT MAY NOT APPEAR ON ALL ASSEMBLIES.
- 5 DIMENSIONS IN BRACKETS ARE IN INCHES.
- 6 HOUSING FEATURES ARE: FEED THRU WITH LOCKING RAMP AND WITH POLARIZING TAB.
- 7 OBSOLETE PARTS: OBSOLETE CIS STREAMLINING PER D.RENAUD/D.SINISI
- 8 OBSOLETE PARTS

THIS DRAWING IS A CONTROLLED DOCUMENT.		DWN S. CARPENTER 12JUN2003														
DIMENSIONS: INCHES		CHK D. BOSSI 12JUN2003														
TOLERANCES UNLESS OTHERWISE SPECIFIED:		APVD D. BOSSI 12JUN2003	NAME MTA-100 CONNECTOR ASSEMBLY, 26 AWG, STANDARD													
<table border="1"> <tr><td>0 PLC</td><td>±</td></tr> <tr><td>1 PLC</td><td>±</td></tr> <tr><td>2 PLC</td><td>±</td></tr> <tr><td>3 PLC</td><td>± 0.13 [.005]</td></tr> <tr><td>4 PLC</td><td>±</td></tr> <tr><td>ANGLES</td><td>±</td></tr> </table>		0 PLC	±	1 PLC	±	2 PLC	±	3 PLC	± 0.13 [.005]	4 PLC	±	ANGLES	±	PRODUCT SPEC 108-1050	RESTRICTED TO	
0 PLC	±															
1 PLC	±															
2 PLC	±															
3 PLC	± 0.13 [.005]															
4 PLC	±															
ANGLES	±															
MATERIAL		APPLICATION SPEC 114-1019	SIZE A2	CAGE CODE 00779												
FINISH		WEIGHT	DRAWING NO 644564	REV F												
CUSTOMER DRAWING		SCALE 5:1 SHEET 1 OF 1														

## X-ON Electronics

Largest Supplier of Electrical and Electronic Components

*Click to view similar products for [Headers & Wire Housings](#) category:*

*Click to view products by [TE Connectivity](#) manufacturer:*

Other Similar products are found below :

[95000-104TRLF](#) [10135584-644402LF](#) [DF62W-EP2022PCA](#) [95000-106TRLF](#) [DF62W-2022SCA](#) [DF62W-EP2022PC](#) [2203348](#) [DF62W-2022SC](#) [1084018](#) [1029039](#) [1084017](#) [802-10-012-10-002000](#) [1112640](#) [1112639](#) [000-34000](#) [0009482033](#) [0009507031](#) [57102-S06-03LF](#) [57202-S52-04LF](#) [PCN6-15S-2.5E](#) [0039019024](#) [58102-G61-06LF](#) [582553-1](#) [0009508121](#) [0050291907](#) [018731A](#) [LY20-4P-DT1-P1E-BR](#) [02.125.8002.8](#) [60101931](#) [60598-1 \(Cut Strip\)](#) [M1625-3R/100](#) [61062-3](#) [61082-181009](#) [636-1427](#) [638009-1](#) [641938-9](#) [641991-4](#) [644168-1](#) [647662-1](#) [65039-019ELF](#) [65817-002LF](#) [65817-015LF](#) [65863-015LF](#) [66207-023LF](#) [67016-026LF](#) [67046-001LF](#) [67095-007LF](#) [68002-116](#) [68016-236H](#) [68648-049](#)