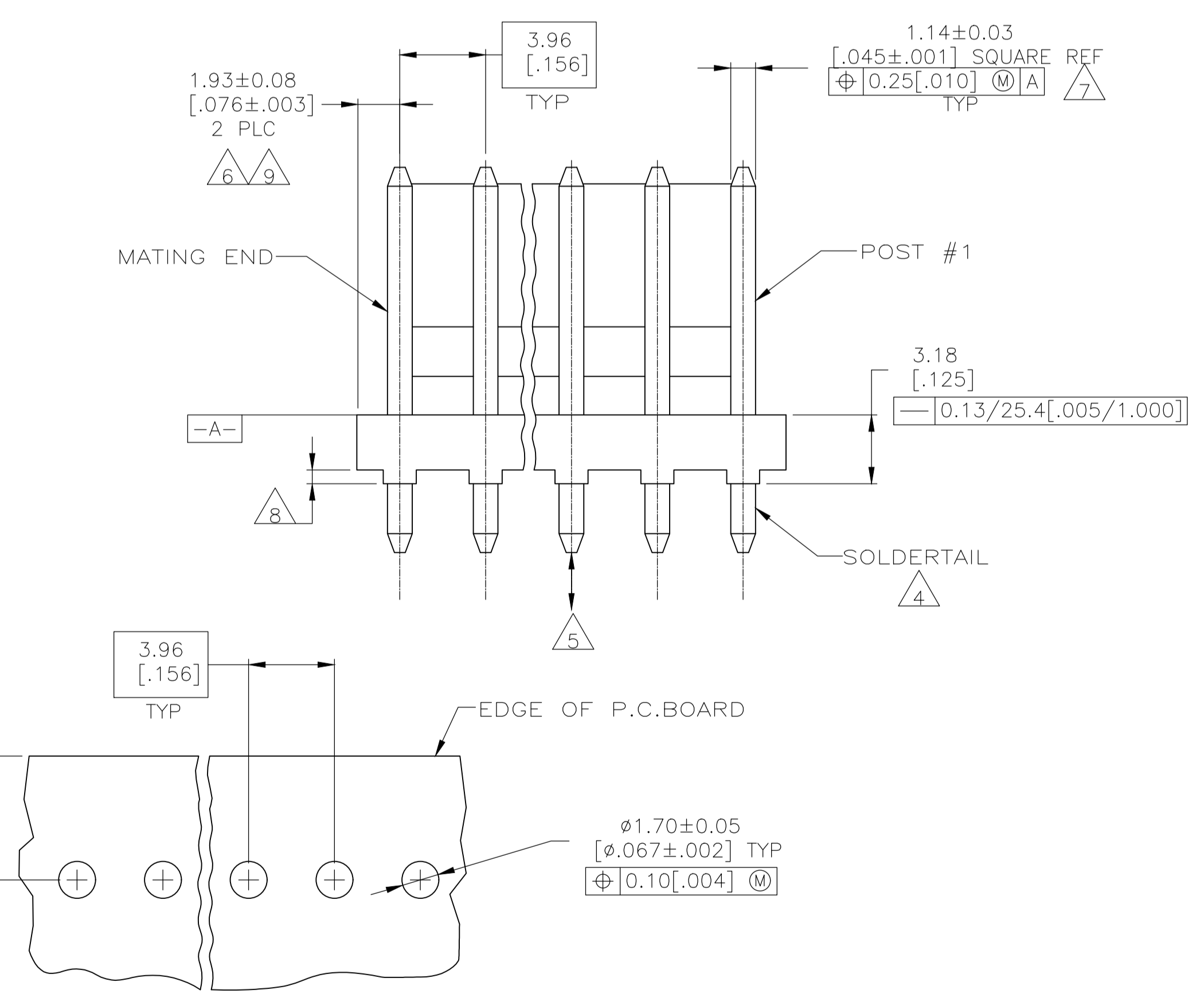
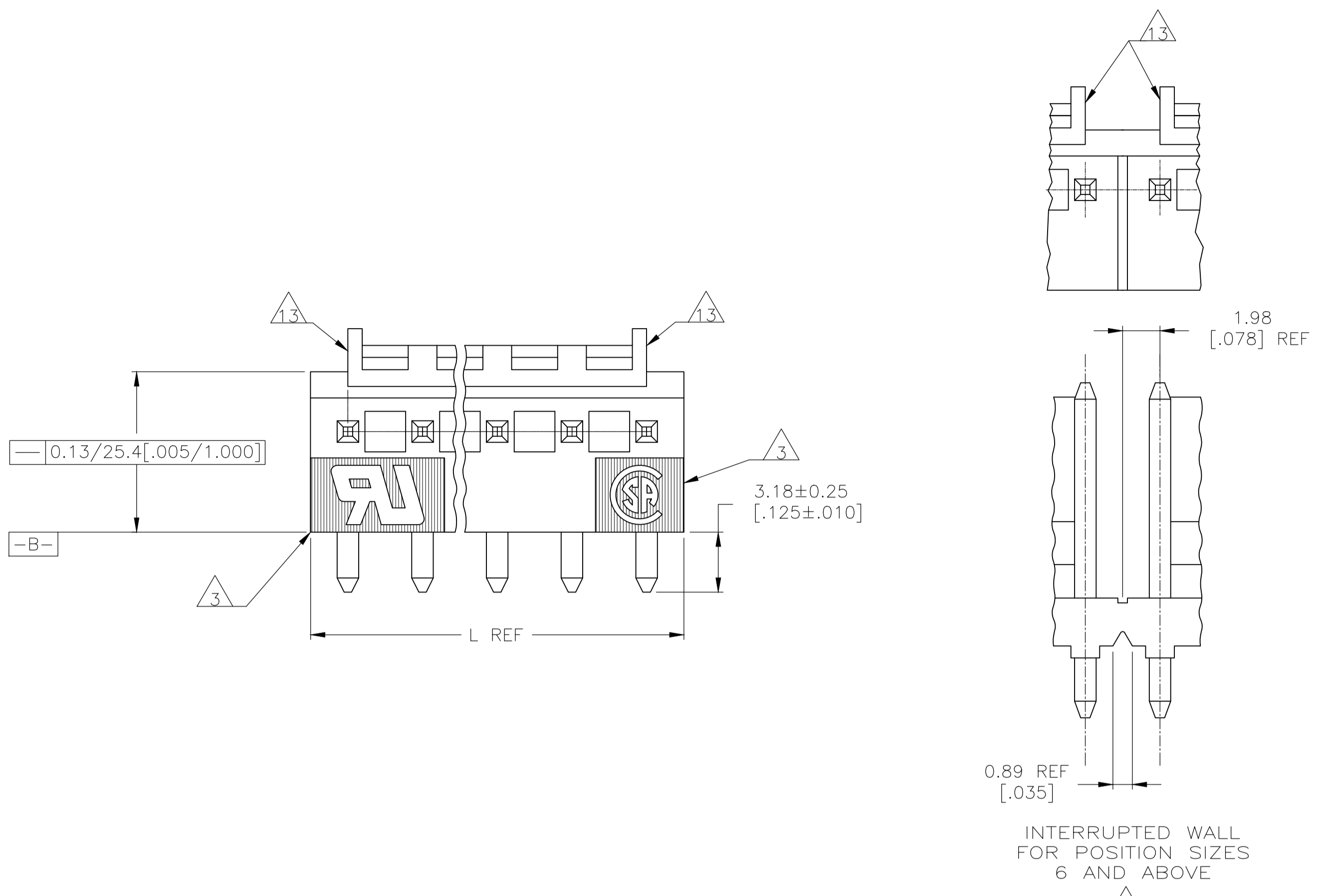
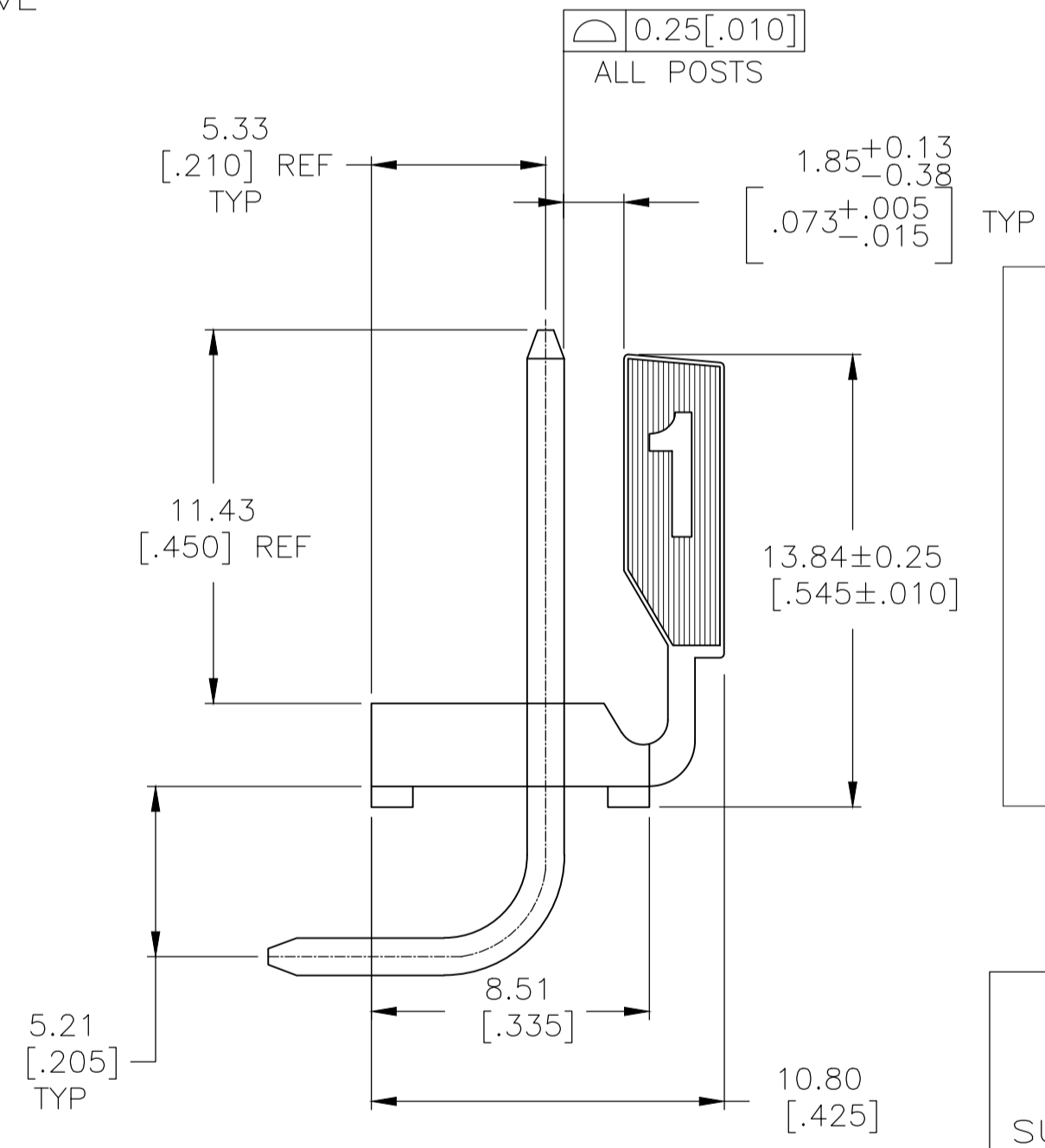


REVISIONS					
P	LTR	DESCRIPTION	DATE	DMN	APVD
G		REVISED PER ECO-19-015247	08OCT2019	RS	SW



RECOMMENDED MOUNTING HOLE PATTERN FOR 1.57[.062] THICK P.C. BOARD

INTERRUPTED WALL FOR POSITION SIZES 6 AND ABOVE



- 1 MATERIAL
HOUSING: THERMOPLASTIC POLYESTER, GLASS FILLED, UL94V-0.
POST: COPPER ALLOY
- 2 FINISH
HOUSING: NATURAL
POST: BRIGHT TIN-LEAD (93/7) PLATE, 0.00380-0.00880[.000150-.000350] THK OVER NICKEL UNDERPLATE, 0.00130[.000050] MIN THK.
- 3 UL MARKING MAY NOT APPEAR ON THE 2 OR 3 POSITION SIZES. CSA MARKING MAY NOT APPEAR ON THE 2 POSITION SIZE.
- 4 POST SOLDERDETAILS COMPLY WITH AMP SOLDERABILITY SPEC 109-11-2.
- 5 POST WITHSTANDS 13.34N [3 LB] MIN AXIAL FORCE IN EITHER DIRECTION WITHOUT DISLODGING.
- 6 APPLIES AT -A-
- 7 APPLIES WHEN THE HEADER IS STRAIGHT.
- 8 PLASTIC PROJECTIONS PERMITTED IN THIS ZONE.
- 9 COORDINATE DIMENSIONS APPLIES FROM THE CENTER OF THE ACTUAL FEATURE.
- 10 SOLDER SIDE OF BOARD IS SHOWN.
- 11 DIMENSIONS IN BRACKETS ARE IN INCHES.
- 12 ALL POSITION SIZES HAVE THE BACKWALL NOTCHED ON BOTH ENDS AS SHOWN. THE 2 THRU 5 POSITION SIZES HAVE SOLID BACKWALLS. POSITION SIZES 6 AND ABOVE HAVE AN INTERRUPTED BACKWALL AT VARIOUS LOCATIONS (SEE TABLE FOR INTERRUPTION(S) LOCATIONS).
- 13 EDGE OF POLARIZING LOCK WALL TO BE IN LINE WITH CENTERLINE OF ADJACENT POST WITHIN ±0.13 [.005]
- 14 FINISH
HOUSING: NATURAL
POST: MATTE TIN PLATE 0.000150 MIN THICK OVER NICKEL.
- 15 OBSOLETE PARTS: OBSOLETE CIS STREAMLINING PER D.RENAUD/D.SINISI

FINISH	BACKWALL INTERRUPTION(S) BETWEEN POST	L	NO. OF POSITIONS	PART NO
OBSOLETE	4&5, 7&8, 11&12, 14&15	71.20 [2.803]	18	4-644613-8
	4&5, 7&8, 10&11, 13&14	67.23 [2.647]	17	4-644613-7
	4&5, 8&9, 12&13	63.27 [2.491]	16	4-644613-6
	4&5, 8&9, 11&12	59.31 [2.335]	15	4-644613-5
	4&5 7&8, 10&11	55.35 [2.179]	14	4-644613-4
	4&5 7&8, 10&11	51.38 [2.023]	13	4-644613-3
	4&5, 8&9	47.42 [1.867]	12	4-644613-2
	4&5, 7&8	43.46 [1.711]	11	4-644613-1
	3&4, 7&8	39.50 [1.555]	10	4-644613-0
	3&4, 6&7	35.53 [1.399]	9	3-644613-9
	4&5	31.57 [1.243]	8	3-644613-8
	4&5	27.61 [1.087]	7	3-644613-7
	3&4	23.65 [.931]	6	3-644613-6
	NONE	19.69 [.775]	5	3-644613-5
	NONE	15.72 [.619]	4	3-644613-4
	NONE	11.76 [.463]	3	3-644613-3
	NONE	7.80 [.307]	2	3-644613-2
	SUPERSEDED	4&5, 7&8, 11&12, 14&15	71.20 [2.803]	18
4&5, 7&8, 10&11, 13&14		67.23 [2.647]	17	1-644613-7
4&5, 8&9, 12&13		63.27 [2.491]	16	1-644613-6
4&5, 8&9, 11&12		59.31 [2.335]	15	1-644613-5
4&5 7&8, 10&11		55.35 [2.179]	14	1-644613-4
4&5 7&8, 10&11		51.38 [2.023]	13	1-644613-3
4&5, 8&9		47.42 [1.867]	12	1-644613-2
4&5, 7&8		43.46 [1.711]	11	1-644613-1
3&4, 7&8		39.50 [1.555]	10	1-644613-0
3&4, 6&7		35.53 [1.399]	9	644613-9
4&5		31.57 [1.243]	8	644613-8
4&5		27.61 [1.087]	7	644613-7
3&4		23.65 [.931]	6	644613-6
NONE		19.69 [.775]	5	644613-5
NONE		15.72 [.619]	4	644613-4
NONE		11.76 [.463]	3	644613-3
NONE		7.80 [.307]	2	644613-2

THIS DRAWING IS A CONTROLLED DOCUMENT.

DIMENSIONS: mm [INCHES]	TOLERANCES UNLESS OTHERWISE SPECIFIED:	DIN L.SMITH 2-12-93	APVD D.CLARK 15-12-93	NAME
0 PLC ± .01	1 PLC ± .01	2 PLC ± .01	3 PLC ± .01	4 PLC ± .01
ANGLES ± .5				

MATERIAL: 1 FINISH: 2

WEIGHT: 0.000000 A1 00779 644613

CUSTOMER DRAWING SCALE: 5:1 SHEET 1 OF 1 REV G

STE TE Connectivity

MTA-156 HDR ASM, PL2D LCK, RT ANGLE FRNT BND, .045 SQ POST, PB-SN PLD, W/O RTN PEGS

X-ON Electronics

Largest Supplier of Electrical and Electronic Components

Click to view similar products for [Headers & Wire Housings](#) category:

Click to view products by [TE Connectivity](#) manufacturer:

Other Similar products are found below :

[892-18-020-10-001101](#) [58102-G61-06LF](#) [582553-1](#) [0009485154](#) [009176003701906](#) [0050291907](#) [LY20-4P-DT1-P1E-BR](#) [02.125.8002.8](#)
[609-3404](#) [61062-3](#) [61082-181009](#) [622-3653LF](#) [63453-116](#) [636-1030](#) [636-1427](#) [636-3427](#) [636-4007](#) [641938-9](#) [641991-4](#) [644827-2](#) [65817-](#)
[010LF](#) [65817-015LF](#) [65863-015LF](#) [66207-023LF](#) [67095-007LF](#) [67601157](#) [68645-018](#) [68648-049](#) [70.362.1628.0](#) [70-4210](#) [70-4226B](#) [70-](#)
[4853B](#) [707-5020](#) [707-5028](#) [71.350.2428.0](#) [71918-208LF](#) [71961-016LF](#) [733-134](#) [733-162](#) [754199-000](#) [760-3052](#) [787-8014-00](#) [79531-3000](#)
[FCN-360C032-B](#) [FCN-367T-T012/H](#) [FCN-723D010/2](#) [80.063.4001.1](#) [800-90-001-10-001000](#) [800-90-010-10-002000](#) [801-43-002-10-013000](#)