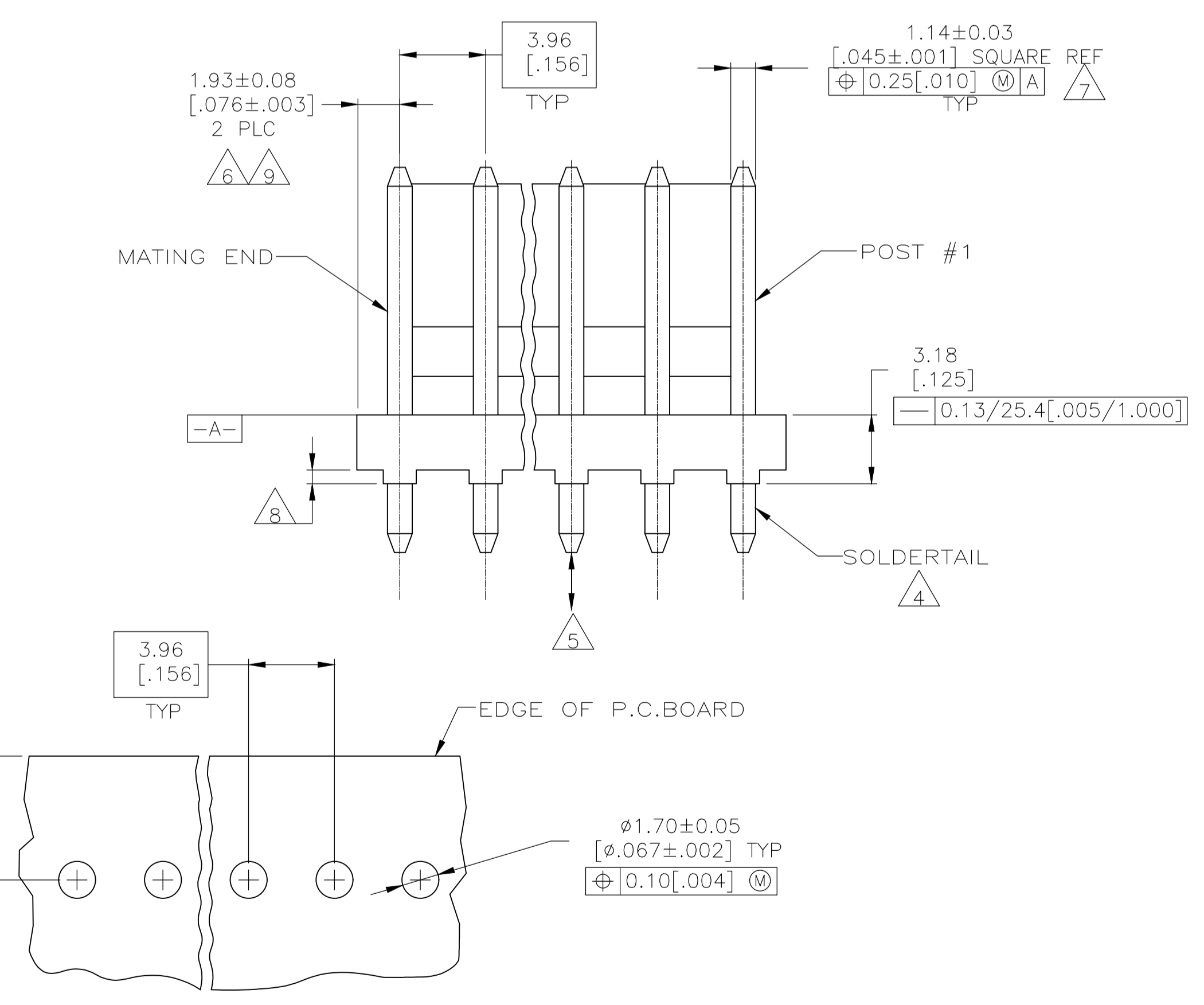
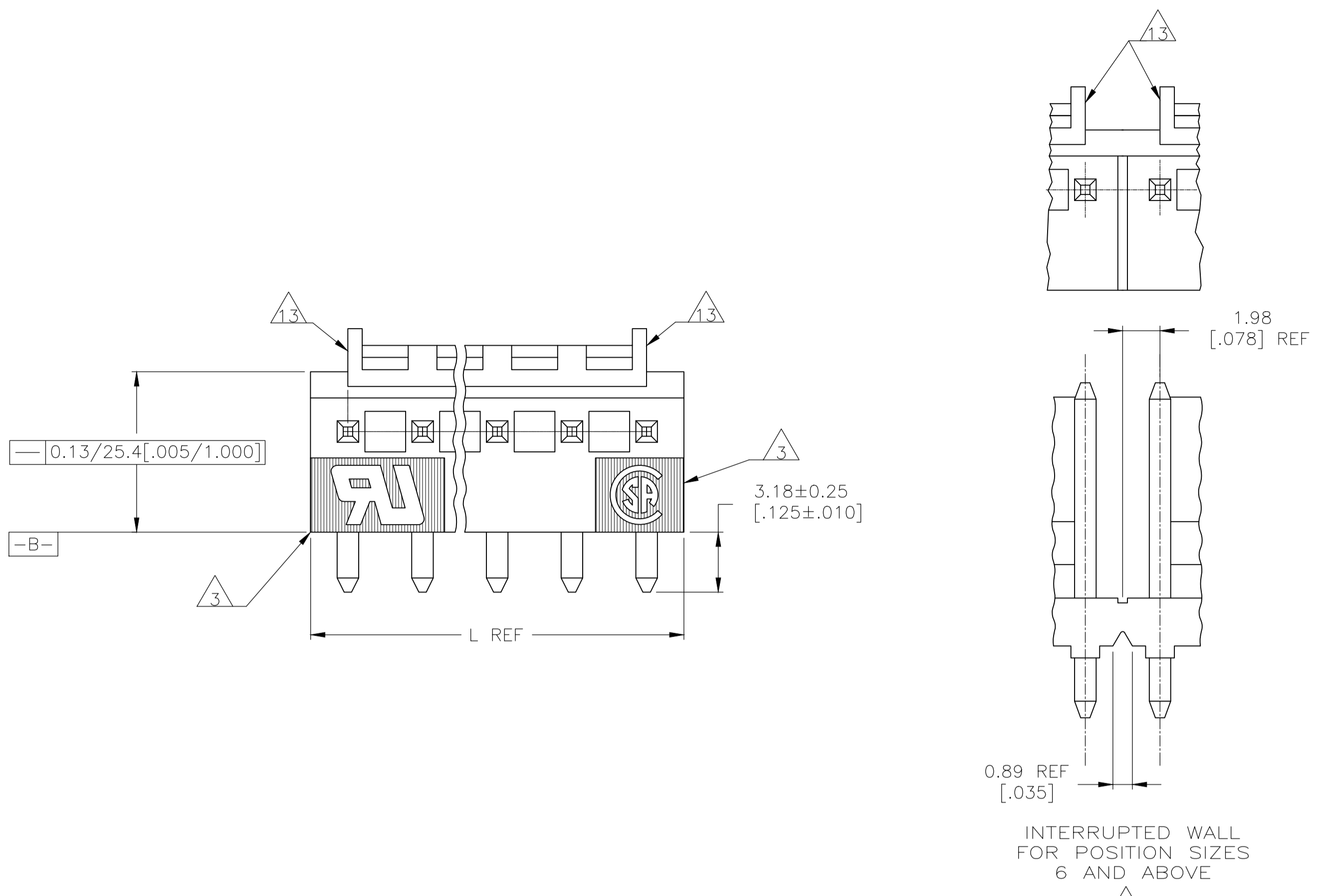
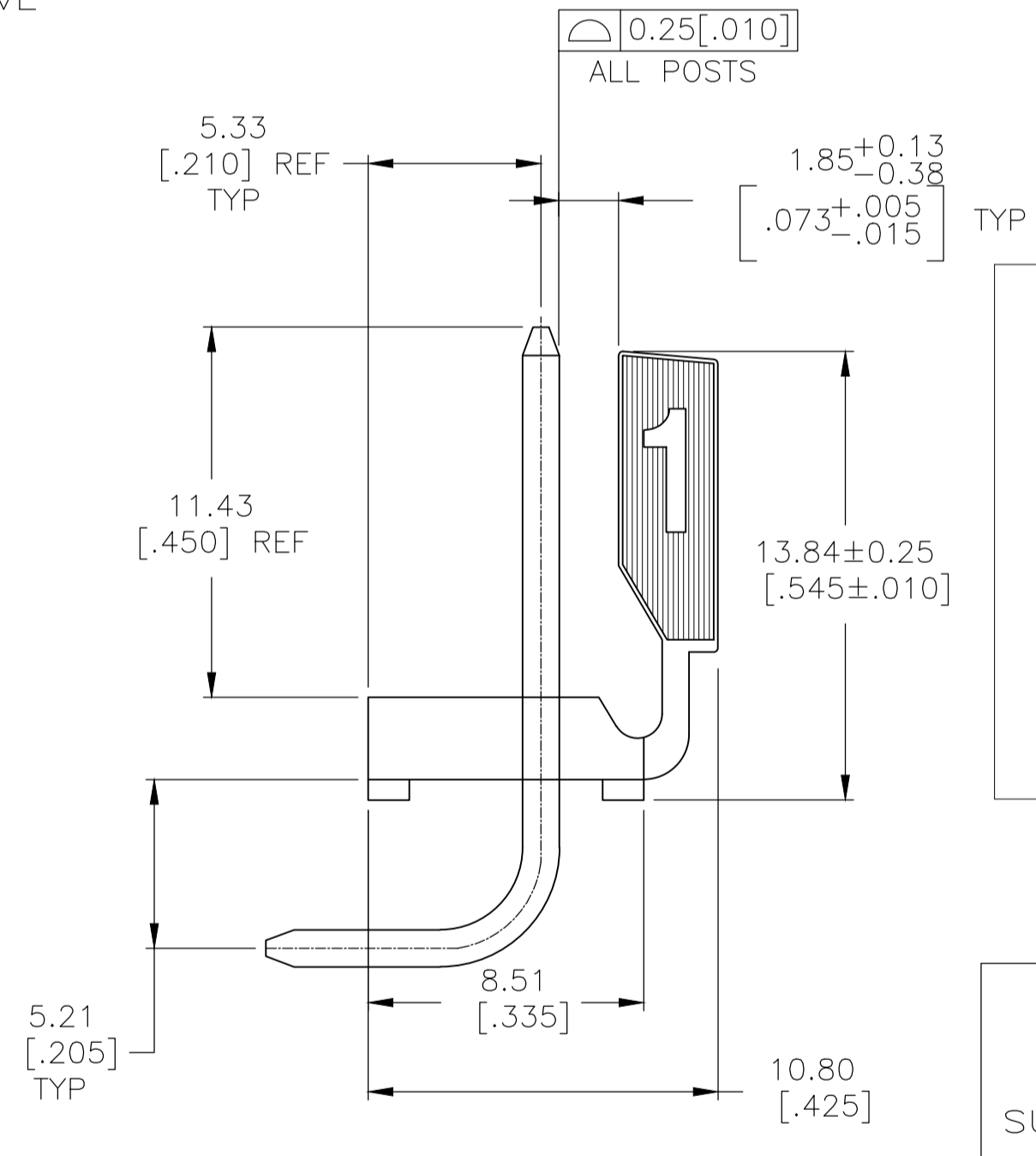


REVISIONS					
P	LTR	DESCRIPTION	DATE	DMN	APVD
G		REVISED PER ECO-19-015247	08OCT2019	RS	SW



RECOMMENDED MOUNTING HOLE PATTERN FOR 1.57[.062] THICK P.C. BOARD

INTERRUPTED WALL FOR POSITION SIZES 6 AND ABOVE



- 1 MATERIAL
HOUSING: THERMOPLASTIC POLYESTER, GLASS FILLED, UL94V-0.
POST: COPPER ALLOY
- 2 FINISH
HOUSING: NATURAL
POST: BRIGHT TIN-LEAD (93/7) PLATE, 0.00380-0.00880[.000150-.000350] THK OVER NICKEL UNDERPLATE, 0.00130[.000050] MIN THK.
- 3 UL MARKING MAY NOT APPEAR ON THE 2 OR 3 POSITION SIZES. CSA MARKING MAY NOT APPEAR ON THE 2 POSITION SIZE.
- 4 POST SOLDERDETAILS COMPLY WITH AMP SOLDERABILITY SPEC 109-11-2.
- 5 POST WITHSTANDS 13.34N [3 LB] MIN AXIAL FORCE IN EITHER DIRECTION WITHOUT DISLODGING.
- 6 APPLIES AT -A-
- 7 APPLIES WHEN THE HEADER IS STRAIGHT.
- 8 PLASTIC PROJECTIONS PERMITTED IN THIS ZONE.
- 9 COORDINATE DIMENSIONS APPLIES FROM THE CENTER OF THE ACTUAL FEATURE.
- 10 SOLDER SIDE OF BOARD IS SHOWN.
- 11 DIMENSIONS IN BRACKETS ARE IN INCHES.
- 12 ALL POSITION SIZES HAVE THE BACKWALL NOTCHED ON BOTH ENDS AS SHOWN. THE 2 THRU 5 POSITION SIZES HAVE SOLID BACKWALLS. POSITION SIZES 6 AND ABOVE HAVE AN INTERRUPTED BACKWALL AT VARIOUS LOCATIONS (SEE TABLE FOR INTERRUPTION(S) LOCATIONS).
- 13 EDGE OF POLARIZING LOCK WALL TO BE IN LINE WITH CENTERLINE OF ADJACENT POST WITHIN ±0.13 [.005]
- 14 FINISH
HOUSING: NATURAL
POST: MATTE TIN PLATE 0.000150 MIN THICK OVER NICKEL.
- 15 OBSOLETE PARTS: OBSOLETE CIS STREAMLINING PER D.RENAUD/D.SINISI

FINISH	BACKWALL INTERRUPTION(S) BETWEEN POST	L	NO. OF POSITIONS	PART NO
OBSOLETE	4&5, 7&8, 11&12, 14&15	71.20 [2.803]	18	4-644613-8
	4&5, 7&8, 10&11, 13&14	67.23 [2.647]	17	4-644613-7
	4&5, 8&9, 12&13	63.27 [2.491]	16	4-644613-6
	4&5, 8&9, 11&12	59.31 [2.335]	15	4-644613-5
	4&5 7&8, 10&11	55.35 [2.179]	14	4-644613-4
	4&5 7&8, 10&11	51.38 [2.023]	13	4-644613-3
	4&5, 8&9	47.42 [1.867]	12	4-644613-2
	4&5, 7&8	43.46 [1.711]	11	4-644613-1
	3&4, 7&8	39.50 [1.555]	10	4-644613-0
	3&4, 6&7	35.53 [1.399]	9	3-644613-9
	4&5	31.57 [1.243]	8	3-644613-8
	4&5	27.61 [1.087]	7	3-644613-7
	3&4	23.65 [.931]	6	3-644613-6
	NONE	19.69 [.775]	5	3-644613-5
	SUPERSEDED	4&5, 7&8, 11&12, 14&15	71.20 [2.803]	18
4&5, 7&8, 10&11, 13&14		67.23 [2.647]	17	1-644613-7
4&5, 8&9, 12&13		63.27 [2.491]	16	1-644613-6
4&5, 8&9, 11&12		59.31 [2.335]	15	1-644613-5
4&5 7&8, 10&11		55.35 [2.179]	14	1-644613-4
4&5 7&8, 10&11		51.38 [2.023]	13	1-644613-3
4&5, 8&9		47.42 [1.867]	12	1-644613-2
4&5, 7&8		43.46 [1.711]	11	1-644613-1
3&4, 7&8		39.50 [1.555]	10	1-644613-0
3&4, 6&7		35.53 [1.399]	9	644613-9
4&5		31.57 [1.243]	8	644613-8
4&5		27.61 [1.087]	7	644613-7
3&4		23.65 [.931]	6	644613-6
NONE		19.69 [.775]	5	644613-5
OBSOLETE		NONE	15.72 [.619]	4
	NONE	11.76 [.463]	3	644613-3
	NONE	7.80 [.307]	2	644613-2

THIS DRAWING IS A CONTROLLED DOCUMENT.

DIMENSIONS: mm [INCHES]	TOLERANCES UNLESS OTHERWISE SPECIFIED:	DIN L.SMITH 2-12-93	APVD D.CLARK 15-12-93	NAME
0 PLC ± .01	1 PLC ± .01	2 PLC ± .01	3 PLC ± .01	4 PLC ± .01
ANGLES ± .5				

MATERIAL: 1 FINISH: 2

WEIGHT: 0.000000 A1 00779 644613

CUSTOMER DRAWING SCALE: 5:1 SHEET 1 OF 1 REV G

STE TE Connectivity

MTA-156 HDR ASM, PL2D LCK, RT ANGLE FRNT BND, .045 SQ POST, PB-SN PLD, W/O RTN PEGS

X-ON Electronics

Largest Supplier of Electrical and Electronic Components

Click to view similar products for te connectivity manufacturer:

Other Similar products are found below :

[570416-000](#) [CLTEQ-M81CE-SSRELAY-4-20V](#) [D38999/24FJ4AN](#) [358838-000](#) [4-1195131-0](#) [650069-000](#) [SMD100-2](#) [CB-1022B-78](#)
[RM707012](#) [RP410012](#) [MMS42](#) [1-640426-8](#) [2EDL4CM](#) [DTS20W19-11PD-3028-LC](#) [RM202615](#) [NC6-P104-06](#) [MSPS103B](#) [DTS26F21-41AE](#) [DTS26F21-41PE-LC](#) [DTS26F21-11SE-3028-LC](#) [1932144-1](#) [293545-4](#) [LVR125S](#) [MS27466T25F4PB](#) [CKB-38-78010](#)
[1206SFF150F/63-2](#) [D38999/20JB35HA](#) [D38999/24WJ20PA](#) [1754138-1](#) [TE1500A2R2J](#) [DTS24F25-29PC-3028-LC](#) [D38999/24WG11HA](#)
[D38999/24WG11HN](#) [MS27467T21F11H](#) [DJT16E21-11HA](#) [1206SFH150F/24-2](#) [DTS24F19-11SC-3028-LC](#) [DTS24F21-41HN-LC](#)
[DTS24F21-41AN](#) [DTS24F21-41PN-LC](#) [MS27467T21F35J](#) [MS27467T21F11J](#) [MS27467T21F16H-LC](#) [MS27467T21F35H](#)
[MS27467T21F41H-LC](#) [DJT16E21-11PA-LC](#) [DJT16E21-11HA-LC](#) [DJT16E21-11AA](#) [MS27467T21B11JA](#) [DJT16E21-11JA](#)