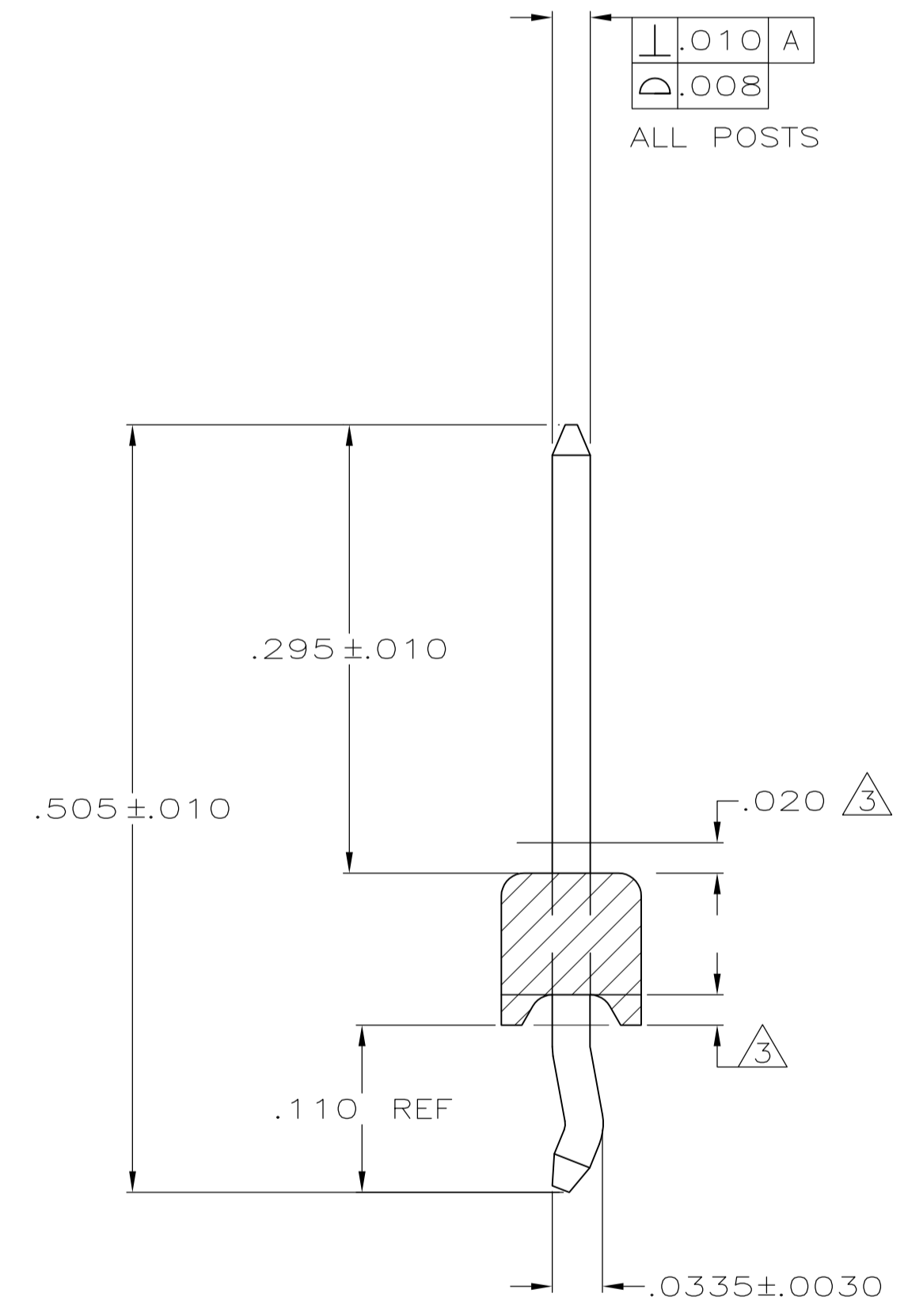
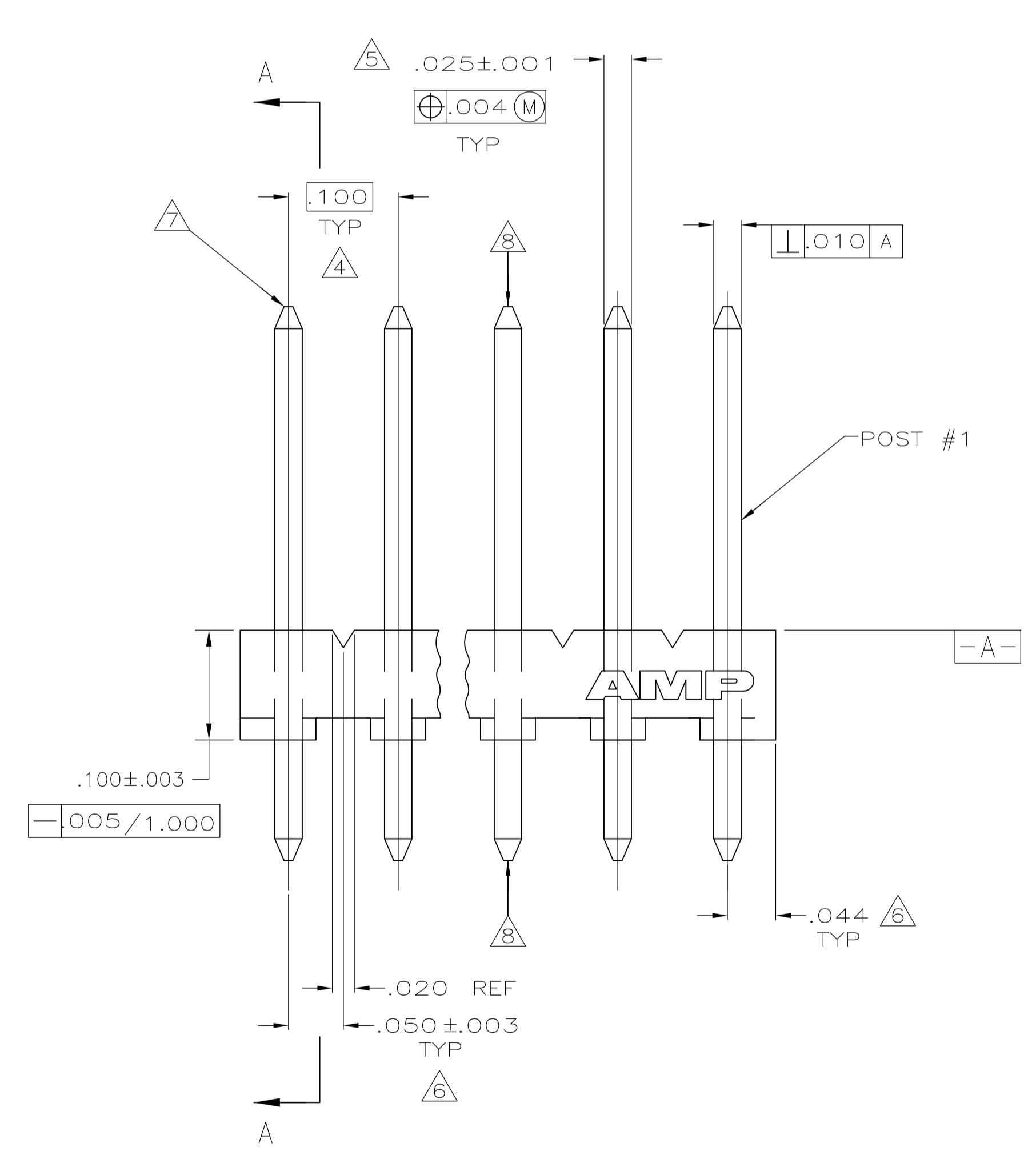
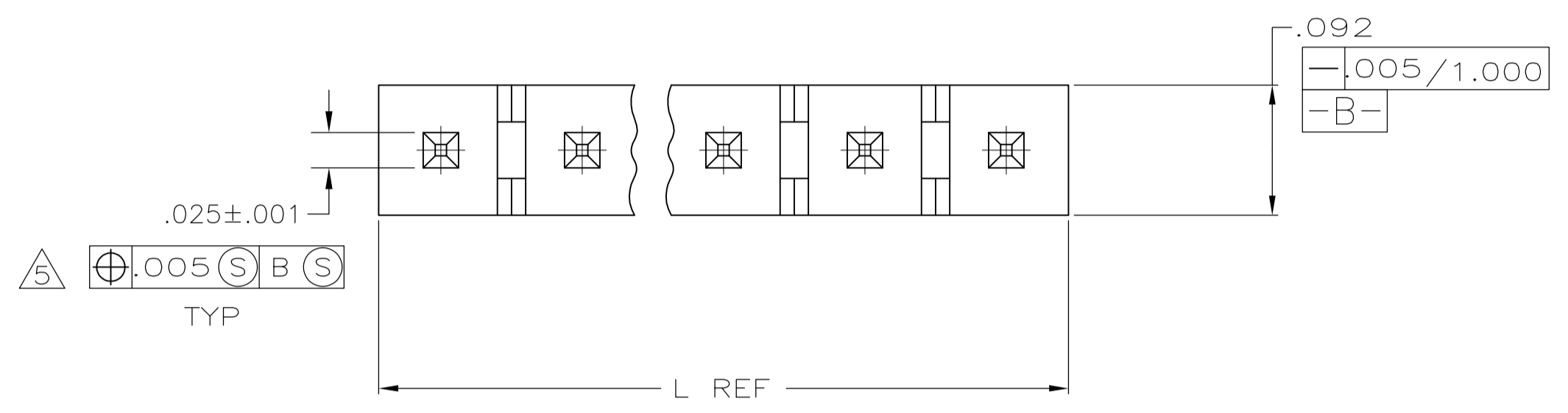
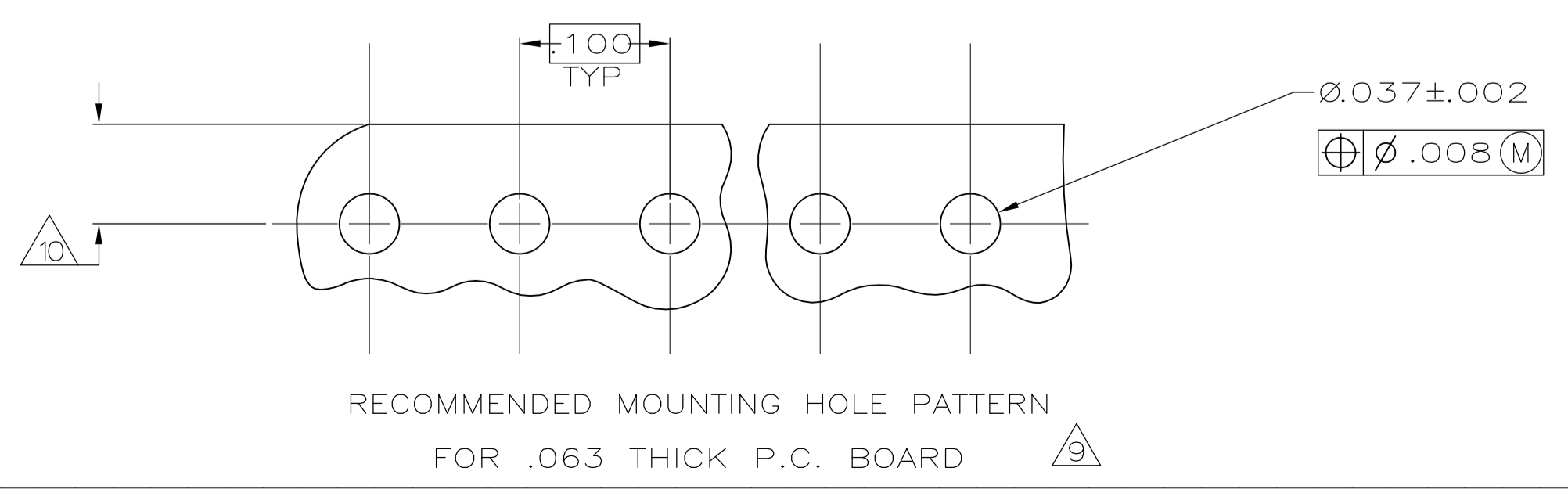


1. MATERIAL:
 BASE: THERMOPLASTIC POLYESTER, UL 94V-0 (NATURAL).
 POST: COPPER ALLOY (TIN OR TIN-LEAD PLATED, .000150 MIN THK).
2. PARTS MUST COMPLY WITH AMP SOLDERABILITY SPEC 109-11-2.
3. PLASTIC AROUND POST PERMISSIBLE IN THIS AREA ONLY.
4. DIMENSION APPLIES WHEN HEADER IS HELD FLAT.
5. MEASURED AT $-A-$
6. COORDINATE DIMENSION APPLIES FROM CENTER OF ACTUAL FEATURE.
7. RADIUS AT TIP PERMITTED, BOTH ENDS.
8. POST MUST WITHSTAND 3.0 LB (13 NEWTONS) MIN AXIAL FORCE IN BOTH DIRECTIONS WITHOUT DISLODGING.
9. TOLERANCES APPLY TO SOLDER SIDE OF BOARD.
10. DIMENSION SHOULD BE .060 MIN WHEN MATING WITH A MTA-100 CONNECTOR ASSEMBLY OR A CST-100 CONNECTOR.
11. AMP LOGO MAY OR MAY NOT APPEAR ON MOLDING HOUSING.



SECTION A-A
 RETENTIVE FEATURE IS FOR POSTS DESIGNATED IN TABLE ONLY



SUPERSEDED BY 5-644695-8
 SUPERSEDED BY 5-644695-7
 SUPERSEDED BY 5-644695-6
 SUPERSEDED BY 5-644695-5
 SUPERSEDED BY 5-644695-4
 SUPERSEDED BY 5-644695-3
 SUPERSEDED BY 5-644695-2
 SUPERSEDED BY 5-644695-1
 SUPERSEDED BY 5-644695-0
 SUPERSEDED BY 4-644695-9
 SUPERSEDED BY 4-644695-8
 SUPERSEDED BY 4-644695-7
 SUPERSEDED BY 4-644695-6
 SUPERSEDED BY 4-644695-5
 SUPERSEDED BY 4-644695-4
 SUPERSEDED BY 4-644695-3
 SUPERSEDED BY 4-644695-2
 SUPERSEDED BY 4-644695-1
 SUPERSEDED BY 4-644695-0
 SUPERSEDED BY 3-644695-9
 SUPERSEDED BY 3-644695-8
 SUPERSEDED BY 3-644695-7
 SUPERSEDED BY 3-644695-6
 SUPERSEDED BY 3-644695-5
 SUPERSEDED BY 3-644695-4
 SUPERSEDED BY 3-644695-3
 SUPERSEDED BY 3-644695-2

NO.	IN	MM	NO. OF POSTS	NO. OF CIRCUITS	PART NUMBER
1,14,28	28	2.788	70.82	28	5-644695-8
1,14,27	27	2.688	68.28	27	5-644695-7
1,13,26	26	2.588	65.74	26	5-644695-6
1,13,25	25	2.488	63.20	25	5-644695-5
1,12,24	24	2.388	60.66	24	5-644695-4
1,12,23	23	2.288	58.12	23	5-644695-3
1,11,22	22	2.188	55.58	22	5-644695-2
1,11,21	21	2.088	53.04	21	5-644695-1
1,10,20	20	1.988	50.50	20	5-644695-0
1,10,19	19	1.888	47.96	19	4-644695-9
1,9,18	18	1.788	45.42	18	4-644695-8
1,9,17	17	1.688	42.88	17	4-644695-7
1,8,16	16	1.588	40.34	16	4-644695-6
1,8,15	15	1.488	37.80	15	4-644695-5
1,7,14	14	1.388	35.26	14	4-644695-4
1,7,13	13	1.288	32.72	13	4-644695-3
1,6,12	12	1.188	30.18	12	4-644695-2
1,6,11	11	1.088	27.64	11	4-644695-1
1,10	10	.988	25.10	10	4-644695-0
1,9	9	.888	22.56	9	3-644695-9
1,8	8	.788	20.02	8	3-644695-8
1,7	7	.688	17.48	7	3-644695-7
1,6	6	.588	14.94	6	3-644695-6
1,5	5	.488	12.40	5	3-644695-5
1,4	4	.388	9.86	4	3-644695-4
1,3	3	.288	7.32	3	3-644695-3
1,2	2	.188	4.78	2	3-644695-2

LEADFREE RETENTIVE POSITIONS NO. OF POSTS IN MM NO. OF CIRCUITS PART NUMBER

THIS DRAWING IS A CONTROLLED DOCUMENT.

DIMENSIONS: INCHES	TOLERANCES UNLESS OTHERWISE SPECIFIED:	0 PLC ± -	1 PLC ± -	2 PLC ± -	3 PLC ± .005	4 PLC ± -	ANGLES ± -
--------------------	--	-----------	-----------	-----------	--------------	-----------	------------

MATERIAL: 1 FINISH: 1

APPROVED: D. ROSSI	DATE: 27MAY2003	NAME: MTA-100 HEADER ASSEMBLY, NARROW .025 SQUARE STRAIGHT POST WITH RETENTIVE LEGS, TIN PLATED
DESIGNED: S. CARPENTER	DATE: 27MAY2003	SIZE: A1
PRODUCT SPEC:	APPLICATION SPEC:	SCALE: 10:1
WEIGHT:	CUSTOMER DRAWING:	SHEET 1 OF 1

STE TE Connectivity

4805 (5/11)

X-ON Electronics

Largest Supplier of Electrical and Electronic Components

Click to view similar products for [Headers & Wire Housings](#) category:

Click to view products by [TE Connectivity](#) manufacturer:

Other Similar products are found below :

[95000-104TRLF](#) [10135584-644402LF](#) [DF62W-EP2022PCA](#) [95000-106TRLF](#) [DF62W-2022SCA](#) [DF62W-EP2022PC](#) [2203348](#) [DF62W-2022SC](#) [1084018](#) [1029039](#) [1084017](#) [802-10-012-10-002000](#) [1112640](#) [1112639](#) [000-34000](#) [0009482033](#) [0009507031](#) [57102-S06-03LF](#) [57202-S52-04LF](#) [PCN6-15S-2.5E](#) [0039019024](#) [58102-G61-06LF](#) [582553-1](#) [0009508121](#) [0050291907](#) [018731A](#) [LY20-4P-DT1-P1E-BR](#) [02.125.8002.8](#) [60101931](#) [60598-1 \(Cut Strip\)](#) [M1625-3R/100](#) [61062-3](#) [61082-181009](#) [636-1427](#) [638009-1](#) [641938-9](#) [641991-4](#) [644168-1](#) [647662-1](#) [65039-019ELF](#) [65817-002LF](#) [65817-015LF](#) [65863-015LF](#) [66207-023LF](#) [67016-026LF](#) [67046-001LF](#) [67095-007LF](#) [68002-116](#) [68016-236H](#) [68648-049](#)