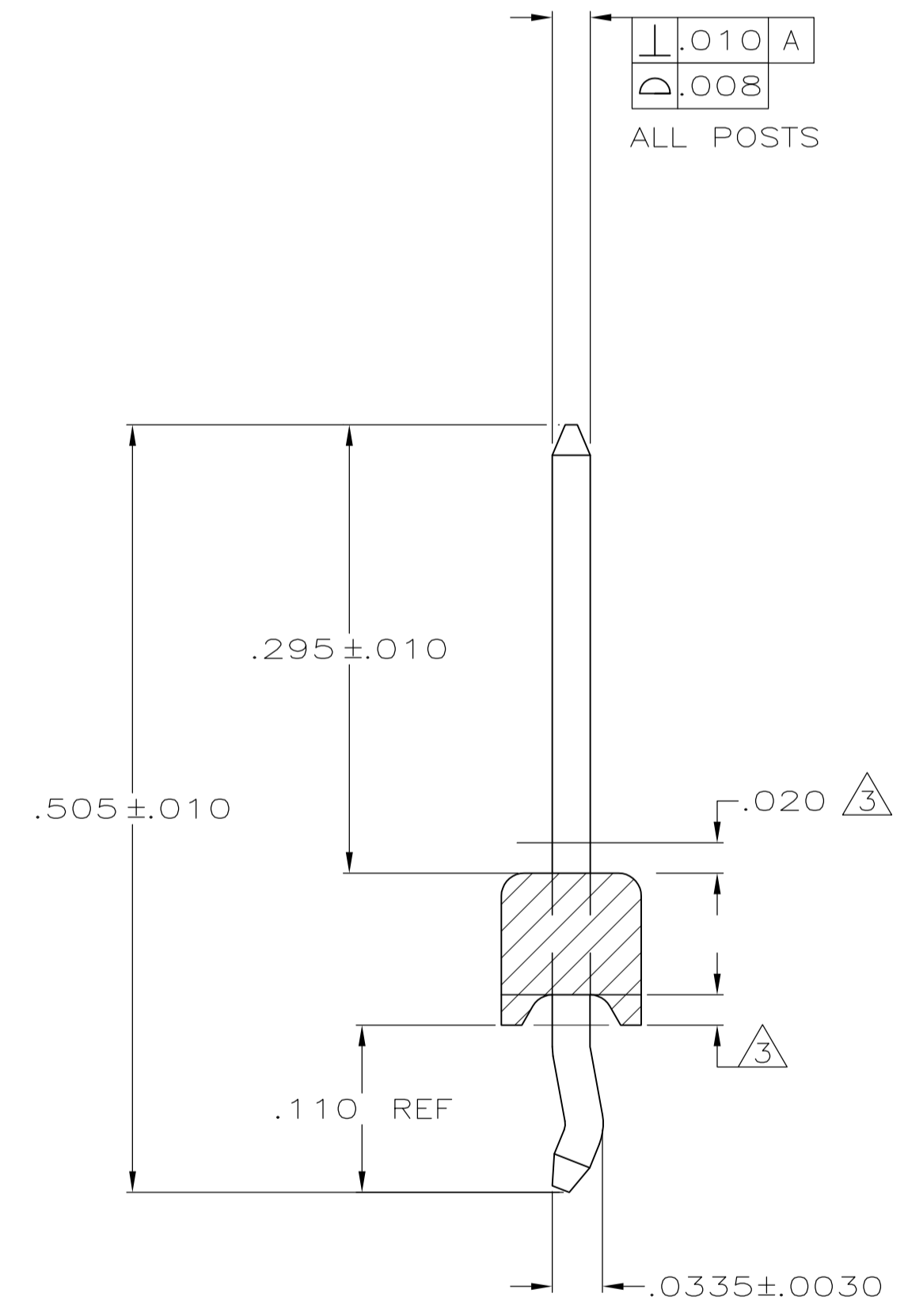
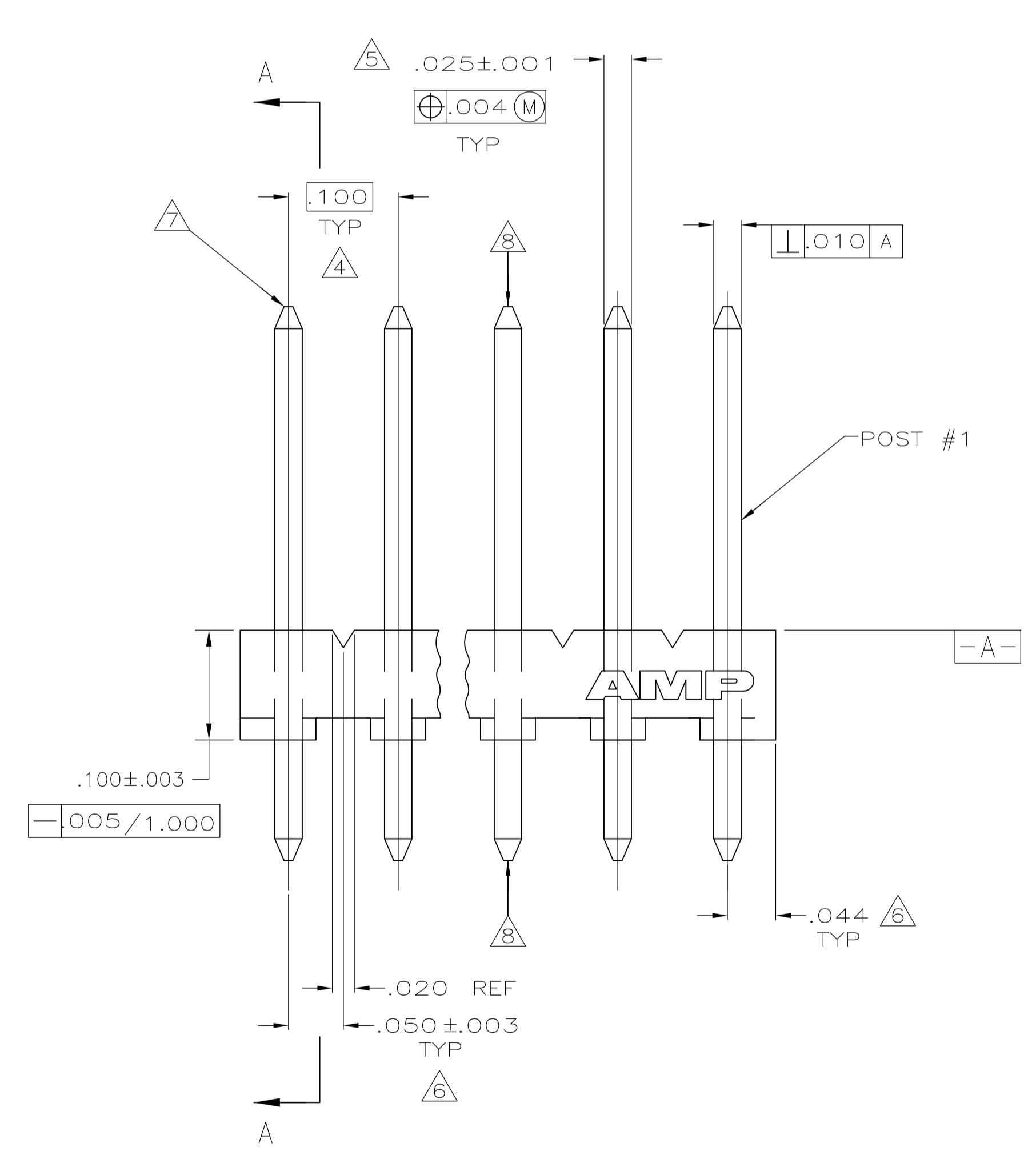
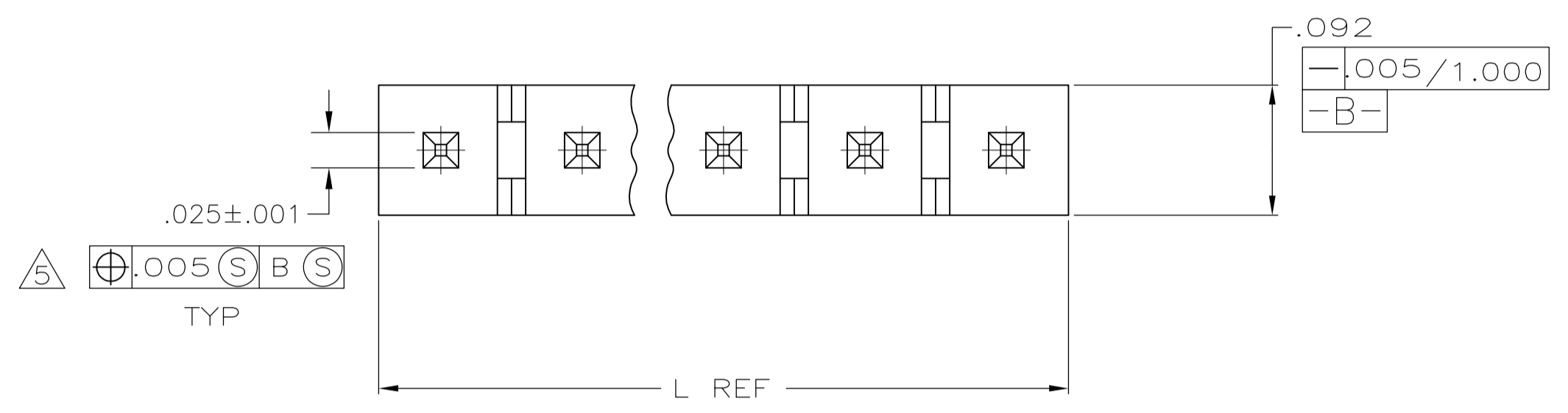
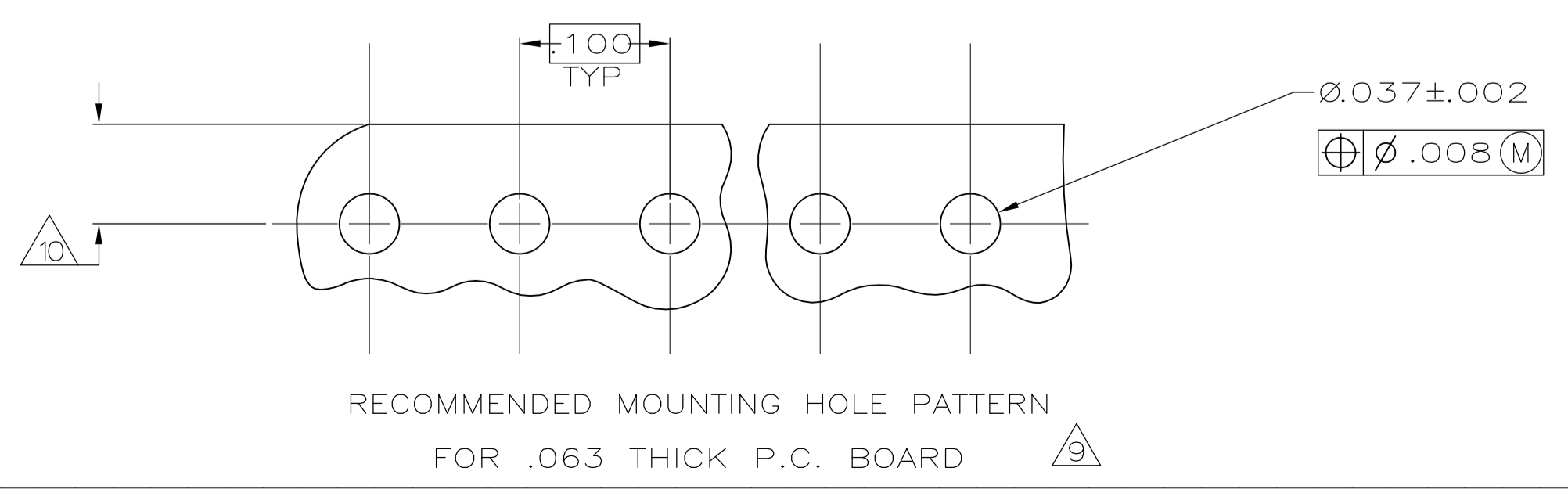


- △ MATERIAL:
 BASE: THERMOPLASTIC POLYESTER,UL 94V-0 (NATURAL).
 POST: COPPER ALLOY (TIN OR TIN-LEAD PLATED,.000150 MIN THK).
2. PARTS MUST COMPLY WITH AMP SOLDERABILITY SPEC 109-11-2.
- △ 3 PLASTIC AROUND POST PERMISSIBLE IN THIS AREA ONLY.
- △ 4 DIMENSION APPLIES WHEN HEADER IS HELD FLAT.
- △ 5 MEASURED AT $\boxed{-A-}$
- △ 6 COORDINATE DIMENSION APPLIES FROM CENTER OF ACTUAL FEATURE.
- △ 7 RADIUS AT TIP PERMITTED, BOTH ENDS.
- △ 8 POST MUST WITHSTAND 3.0 LB (13 NEWTONS) MIN AXIAL FORCE IN BOTH DIRECTIONS WITHOUT DISLODGING.
- △ 9 TOLERANCES APPLY TO SOLDER SIDE OF BOARD.
- △ 10 DIMENSION SHOULD BE .060 MIN WHEN MATING WITH A MTA-100 CONNECTOR ASSEMBLY OR A CST-100 CONNECTOR.
11. AMP LOGO MAY OR MAY NOT APPEAR ON MOLDING HOUSING.



SECTION A-A
 RETENTIVE FEATURE IS FOR POSTS DESIGNATED IN TABLE ONLY



NO.	IN	MM	NO. OF POSTS	NO. OF CIRCUITS	PART NUMBER
1,14,28	28	2.788	70.82	28	5-644695-8
1,14,27	27	2.688	68.28	27	5-644695-7
1,13,26	26	2.588	65.74	26	5-644695-6
1,13,25	25	2.488	63.20	25	5-644695-5
1,12,24	24	2.388	60.66	24	5-644695-4
1,12,23	23	2.288	58.12	23	5-644695-3
1,11,22	22	2.188	55.58	22	5-644695-2
1,11,21	21	2.088	53.04	21	5-644695-1
1,10,20	20	1.988	50.50	20	5-644695-0
1,10,19	19	1.888	47.96	19	4-644695-9
1,9,18	18	1.788	45.42	18	4-644695-8
1,9,17	17	1.688	42.88	17	4-644695-7
1,8,16	16	1.588	40.34	16	4-644695-6
1,8,15	15	1.488	37.80	15	4-644695-5
1,7,14	14	1.388	35.26	14	4-644695-4
1,7,13	13	1.288	32.72	13	4-644695-3
1,6,12	12	1.188	30.18	12	4-644695-2
1,6,11	11	1.088	27.64	11	4-644695-1
1,10	10	.988	25.10	10	4-644695-0
1,9	9	.888	22.56	9	3-644695-9
1,8	8	.788	20.02	8	3-644695-8
1,7	7	.688	17.48	7	3-644695-7
1,6	6	.588	14.94	6	3-644695-6
1,5	5	.488	12.40	5	3-644695-5
1,4	4	.388	9.86	4	3-644695-4
1,3	3	.288	7.32	3	3-644695-3
1,2	2	.188	4.78	2	3-644695-2

SUPERSEDED BY 5-644695-8
 SUPERSEDED BY 5-644695-7
 SUPERSEDED BY 5-644695-6
 SUPERSEDED BY 5-644695-5
 SUPERSEDED BY 5-644695-4
 SUPERSEDED BY 5-644695-3
 SUPERSEDED BY 5-644695-2
 SUPERSEDED BY 5-644695-1
 SUPERSEDED BY 5-644695-0
 SUPERSEDED BY 4-644695-9
 SUPERSEDED BY 4-644695-8
 SUPERSEDED BY 4-644695-7
 SUPERSEDED BY 4-644695-6
 SUPERSEDED BY 4-644695-5
 SUPERSEDED BY 4-644695-4
 SUPERSEDED BY 4-644695-3
 SUPERSEDED BY 4-644695-2
 SUPERSEDED BY 4-644695-1
 SUPERSEDED BY 4-644695-0
 SUPERSEDED BY 3-644695-9
 SUPERSEDED BY 3-644695-8
 SUPERSEDED BY 3-644695-7
 SUPERSEDED BY 3-644695-6
 SUPERSEDED BY 3-644695-5
 SUPERSEDED BY 3-644695-4
 SUPERSEDED BY 3-644695-3
 SUPERSEDED BY 3-644695-2

LEADFREE RETENTIVE POSITIONS NO. OF POSTS IN MM NO. OF CIRCUITS PART NUMBER

THIS DRAWING IS A CONTROLLED DOCUMENT.

DIMENSIONS: INCHES	TOLERANCES UNLESS OTHERWISE SPECIFIED:	DIN S. CARPENTER 27MAY2003	DATE	27MAY2003
0 PLC ± -	1 PLC ± -	APPROVED: D. ROSSI	NAME	D. ROSSI
2 PLC ± -	3 PLC ± -	DATE	27MAY2003	NAME
4 PLC ± -	ANGLES ± -	APPLICATION SPEC	MTA-100 HEADER ASSEMBLY,NARROW .025 SQUARE STRAIGHT POST WITH RETENTIVE LEGS,TIN PLATED	SIZE
MATERIAL	FINISH	WEIGHT	A1 00779	DRAWING NO
		CUSTOMER DRAWING	SCALE 10:1	SHEET 1 OF 1

STE TE Connectivity

RESTRICTED TO

X-ON Electronics

Largest Supplier of Electrical and Electronic Components

Click to view similar products for [Headers & Wire Housings](#) category:

Click to view products by [TE Connectivity](#) manufacturer:

Other Similar products are found below :

[95000-104TRLF](#) [10135584-644402LF](#) [DF62W-EP2022PCA](#) [95000-106TRLF](#) [DF62W-2022SCA](#) [DF62W-EP2022PC](#) [2203348](#) [DF62W-2022SC](#) [1084018](#) [1029039](#) [1084017](#) [802-10-012-10-002000](#) [1112640](#) [1112639](#) [000-34000](#) [0009482033](#) [0009507031](#) [57102-S06-03LF](#) [57202-S52-04LF](#) [PCN6-15S-2.5E](#) [0039019024](#) [58102-G61-06LF](#) [582553-1](#) [0009508121](#) [0050291907](#) [018731A](#) [LY20-4P-DT1-P1E-BR](#) [02.125.8002.8](#) [60101931](#) [60598-1 \(Cut Strip\)](#) [M1625-3R/100](#) [61062-3](#) [61082-181009](#) [636-1427](#) [638009-1](#) [641938-9](#) [641991-4](#) [644168-1](#) [647662-1](#) [65039-019ELF](#) [65817-002LF](#) [65817-015LF](#) [65863-015LF](#) [66207-023LF](#) [67016-026LF](#) [67046-001LF](#) [67095-007LF](#) [68002-116](#) [68016-236H](#) [68648-049](#)