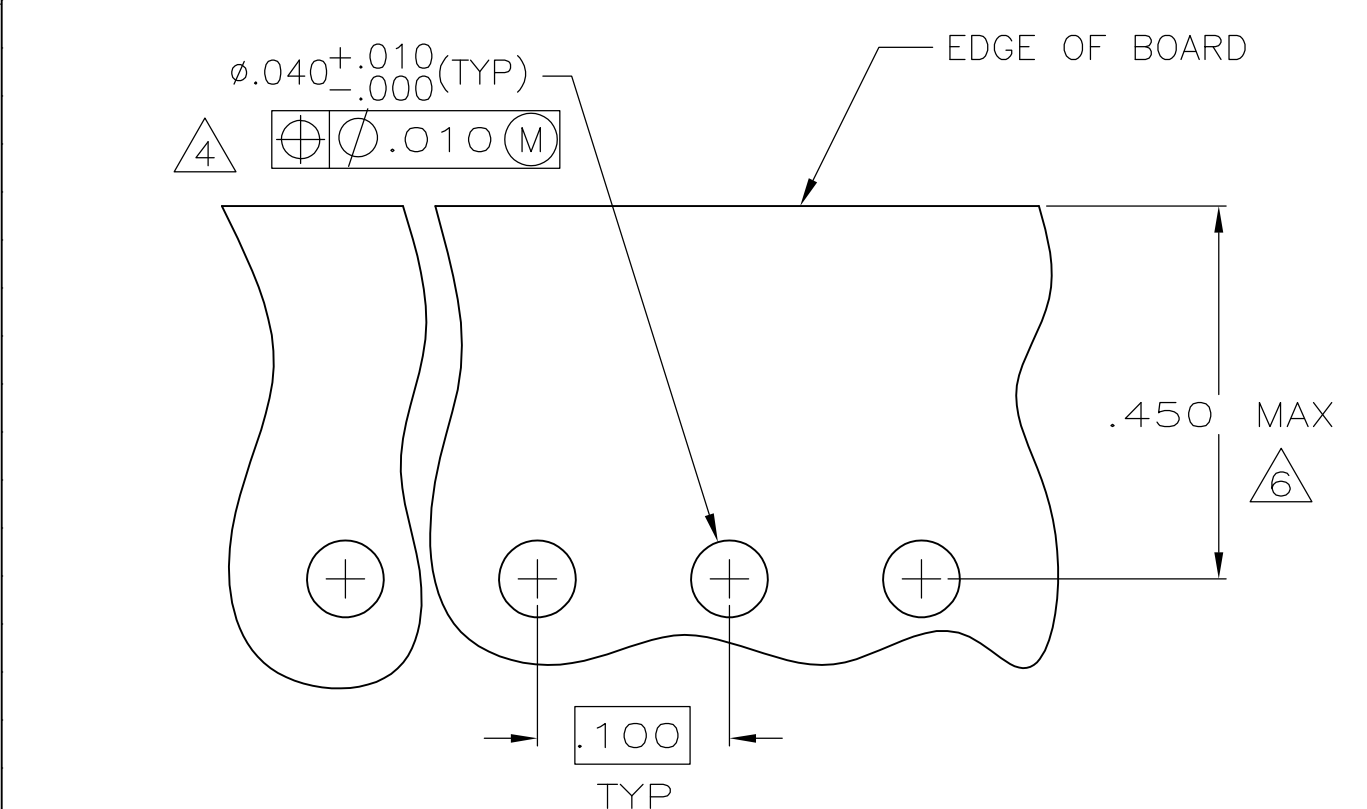
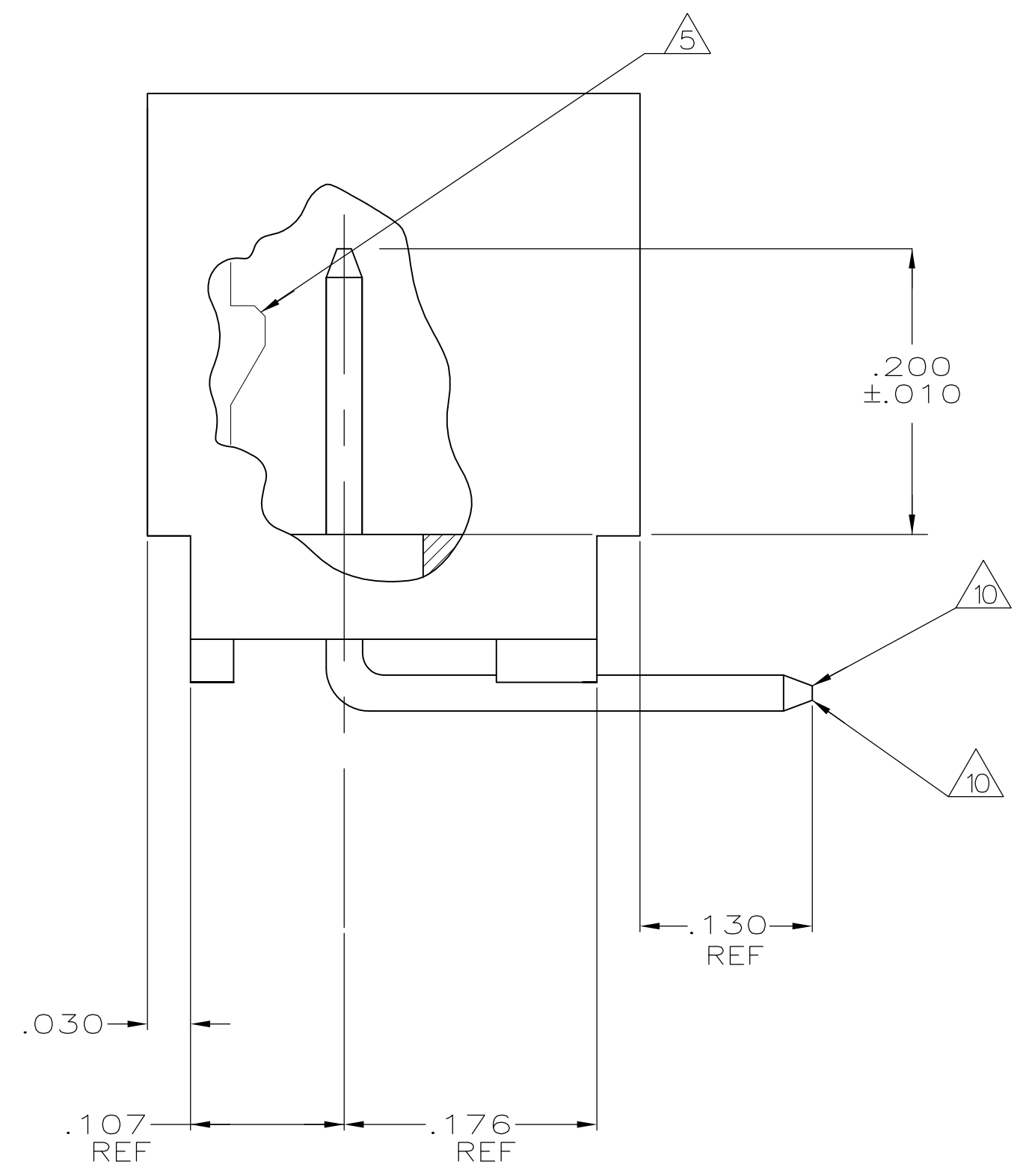
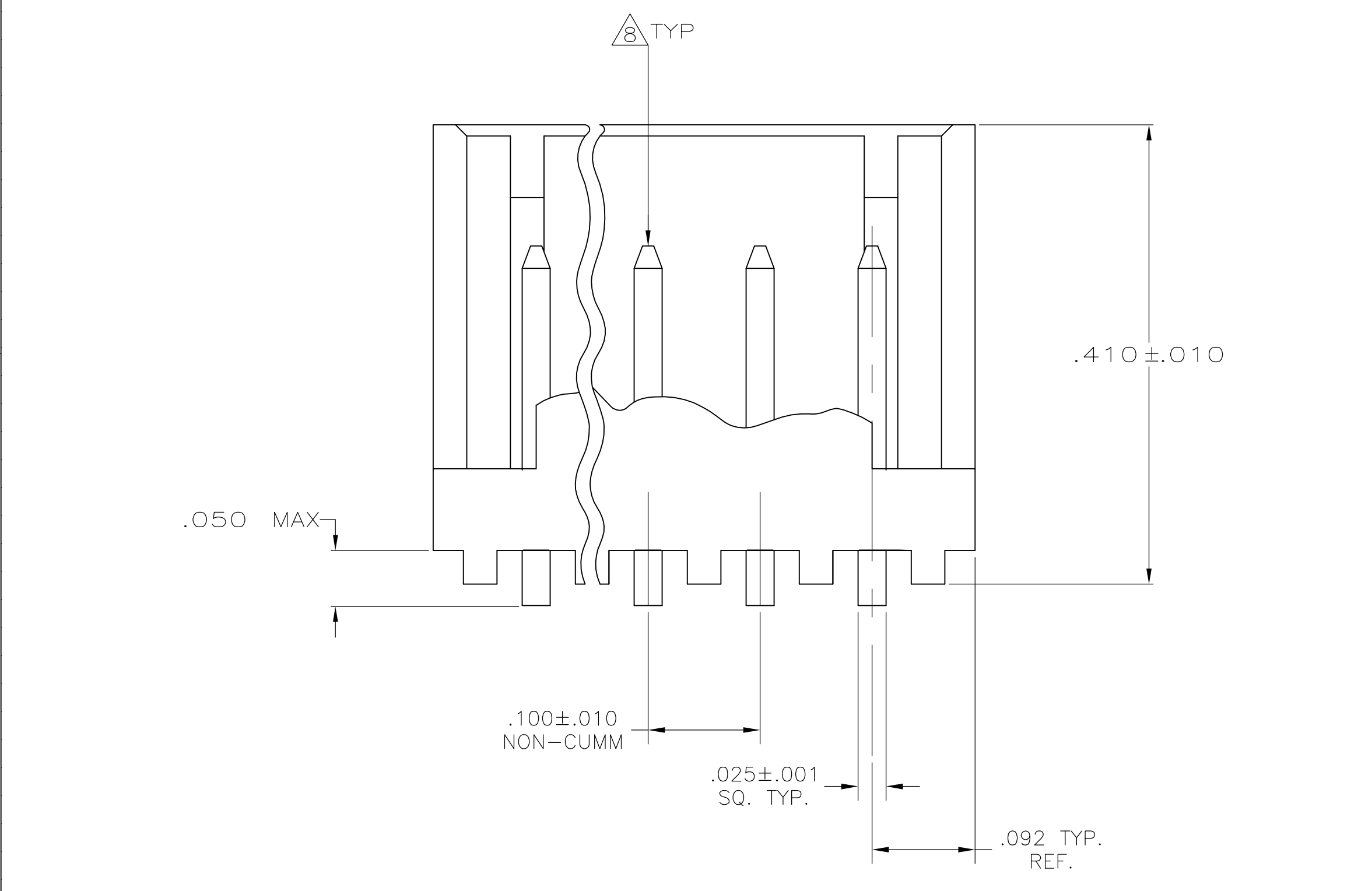


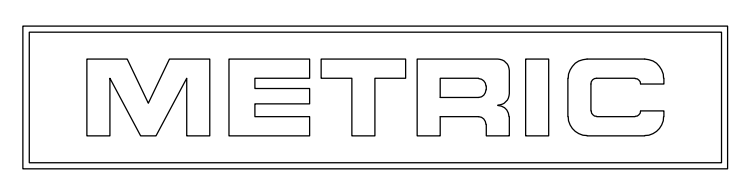
- 1 MATERIAL: HEADER- POLYESTER UL94V-0 (BLACK)
POST- COPPER ALLOY.
- 2 SOLDER SIDE OF P.C. BOARD SHOWN.
- 3 PARTS COMPLY WITH AMP SOLDERABILITY SPEC 109-11-2.
- 4 ONE HOLE MAY BE UNDERSIZED (.032-.035 DIA) FOR ASSEMBLY RETENTION DURING WAVE SOLDERING.
- 5 LATCH DETENT FEATURE OCCURS 2 PLACES ON EACH END (MAXIMUM OF FOUR PER PART). FOR 2 THRU 5 CIRCUIT HEADERS, LATCH FEATURE OCCURS BETWEEN EACH CIRCUIT.
- 6 COORDINATE DIMENSION APPLIES FROM CENTER OF ACTUAL FEATURE.
- 7 POST: 100% MATTE TIN PLATED.
- 8 POST MUST WITHSTAND 3.0 LBS (13.3 N) MIN FORCE WITHOUT DISLODGING, EITHER DIRECTION.
- 9 UL AND CSA LOGO WILL APPEAR IN THIS AREA. AMP LOGO MAY APPEAR IN THIS AREA OR ON BOTTOM OF PART.
- 10 TWO SIDES OF TAPER, AS SHOWN, MUST BE PLATED. TYPICAL, BOTH ENDS.
- 11 TWO SIDES OF TAPER, AS SHOWN, AND TIP MAY BE UNPLATED. TYPICAL, BOTH ENDS.
- 12 SLOTS MAY OR MAY NOT APPEAR ON THESE PARTS.
- 13 POST: MATTE TIN-LEAD (93/7) PLATED.
- 14 OBSOLETE PART NUMBER.



.035	0.89	.176	4.47	-	-
.032	0.81	.130	3.3	-	-
.030	0.76	.107	2.72	-	-
.025	0.64	.100	2.54	.450	11.43
.010	0.25	.092	2.34	.410	10.41
.005	0.13	.063	1.6	.313	7.95
.001	0.03	.050	1.27	.300	7.62
.000	0	.040	1.02	.200	5.08
IN	MM	IN	MM	IN	MM

CONVERSION TABLE

1.484	37.69	14	3-644803-4			
1.384	35.15	13	3-644803-3			
1.284	32.61	12	3-644803-2			
1.184	30.07	11	3-644803-1			
1.084	27.53	10	3-644803-0			
.984	24.99	9	2-644803-9			
.884	22.45	8	2-644803-8			
.784	19.91	7	2-644803-7			
.684	17.37	6	2-644803-6			
.584	14.83	5	2-644803-5			
.484	12.29	4	2-644803-4			
.384	9.75	3	2-644803-3			
.284	7.21	2	2-644803-2	YES		7
14	SUPERSEDED	1.484	37.69	14	1-644803-4	
14	SUPERSEDED	1.384	35.15	13	1-644803-3	
14	SUPERSEDED	1.284	32.61	12	1-644803-2	
14	SUPERSEDED	1.184	30.07	11	1-644803-1	
14	SUPERSEDED	1.084	27.53	10	1-644803-0	
14	SUPERSEDED	.984	24.99	9	644803-9	
14	SUPERSEDED	.884	22.45	8	644803-8	
14	SUPERSEDED	.784	19.91	7	644803-7	
14	SUPERSEDED	.684	17.37	6	644803-6	
14	SUPERSEDED	.584	14.83	5	644803-5	
14	SUPERSEDED	.484	12.29	4	644803-4	
14	SUPERSEDED	.384	9.75	3	644803-3	
14	SUPERSEDED	.284	7.21	2	644803-2	
			IN	MM	NO OF POSITIONS	PART NUMBER
			L	HEADER ASSEMBLY		
					LEADFREE	FINISH
					NO	13



THIS DRAWING IS A CONTROLLED DOCUMENT.

STE TE Connectivity

MTA-100 SHROUDED HEADER ASSEMBLY, FRICTION LOCK, RIGHT ANGLE POST, TIN OR TIN LEAD PLATED

00779 © 644803

SCALE 10:1 SHEET 1 OF 1 REV H

X-ON Electronics

Largest Supplier of Electrical and Electronic Components

Click to view similar products for [Headers & Wire Housings](#) category:

Click to view products by [TE Connectivity](#) manufacturer:

Other Similar products are found below :

[95000-104TRLF](#) [10135584-644402LF](#) [DF62W-EP2022PCA](#) [95000-106TRLF](#) [DF62W-2022SCA](#) [DF62W-EP2022PC](#) [2203348](#) [DF62W-2022SC](#) [1084018](#) [1029039](#) [1084017](#) [802-10-012-10-002000](#) [1112640](#) [1112639](#) [000-34000](#) [0009482033](#) [0009507031](#) [57102-S06-03LF](#) [57202-S52-04LF](#) [PCN6-15S-2.5E](#) [0039019024](#) [58102-G61-06LF](#) [582553-1](#) [0009508121](#) [0050291907](#) [018731A](#) [LY20-4P-DT1-P1E-BR](#) [02.125.8002.8](#) [60101931](#) [60598-1 \(Cut Strip\)](#) [M1625-3R/100](#) [61062-3](#) [61082-181009](#) [636-1427](#) [638009-1](#) [641938-9](#) [641991-4](#) [644168-1](#) [647662-1](#) [65039-019ELF](#) [65817-002LF](#) [65817-015LF](#) [65863-015LF](#) [66207-023LF](#) [67016-026LF](#) [67046-001LF](#) [67095-007LF](#) [68002-116](#) [68016-236H](#) [68648-049](#)