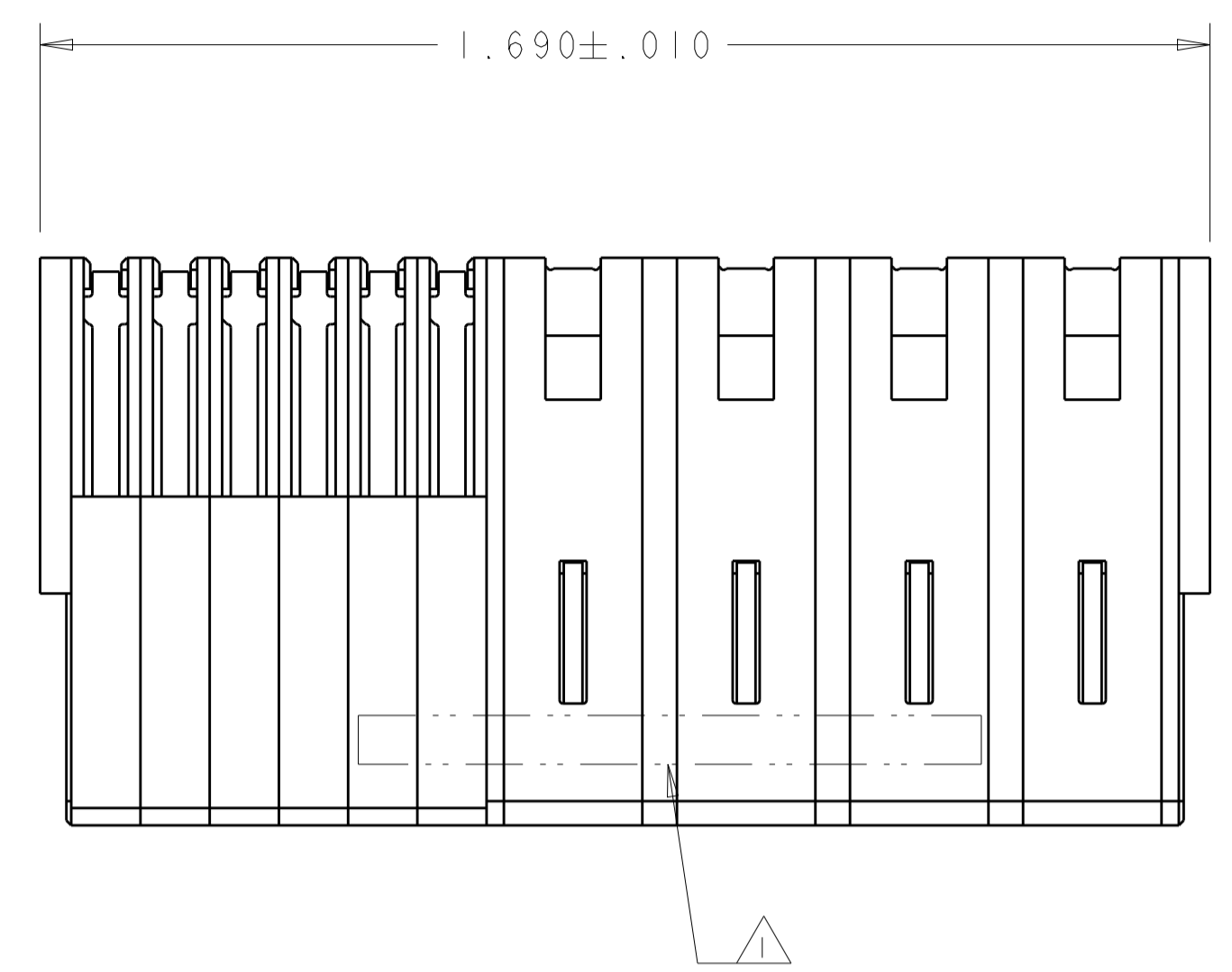
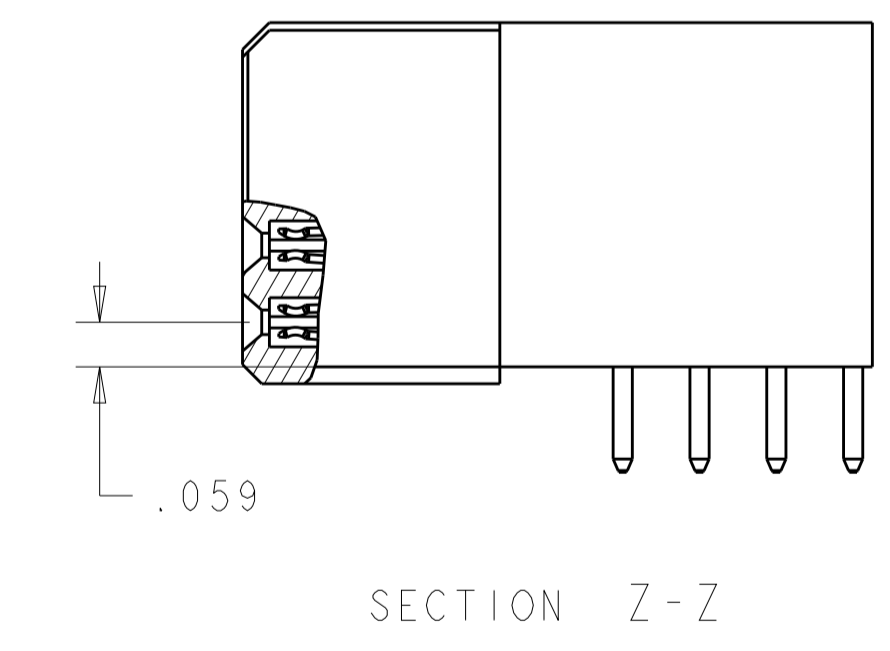
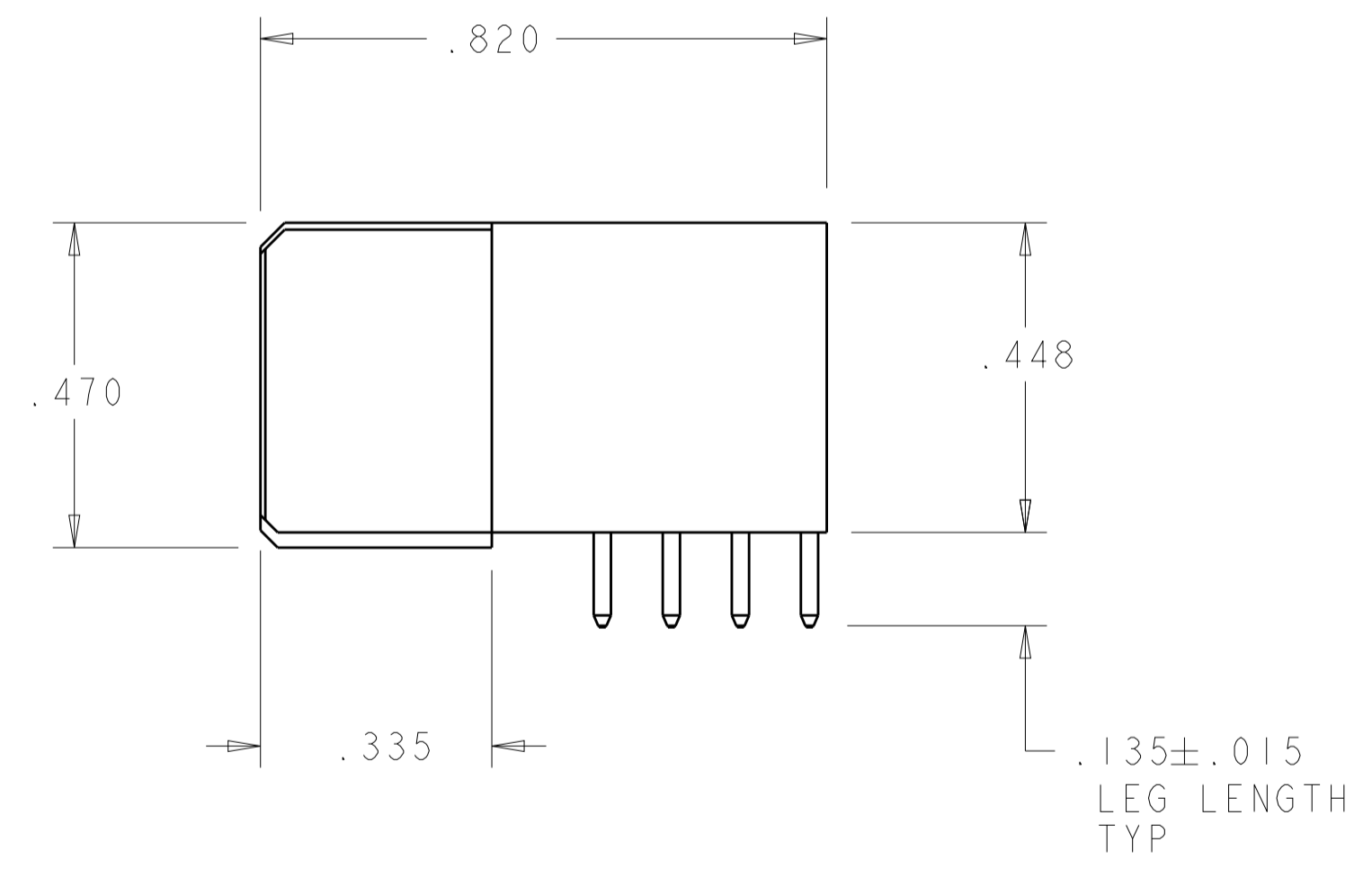
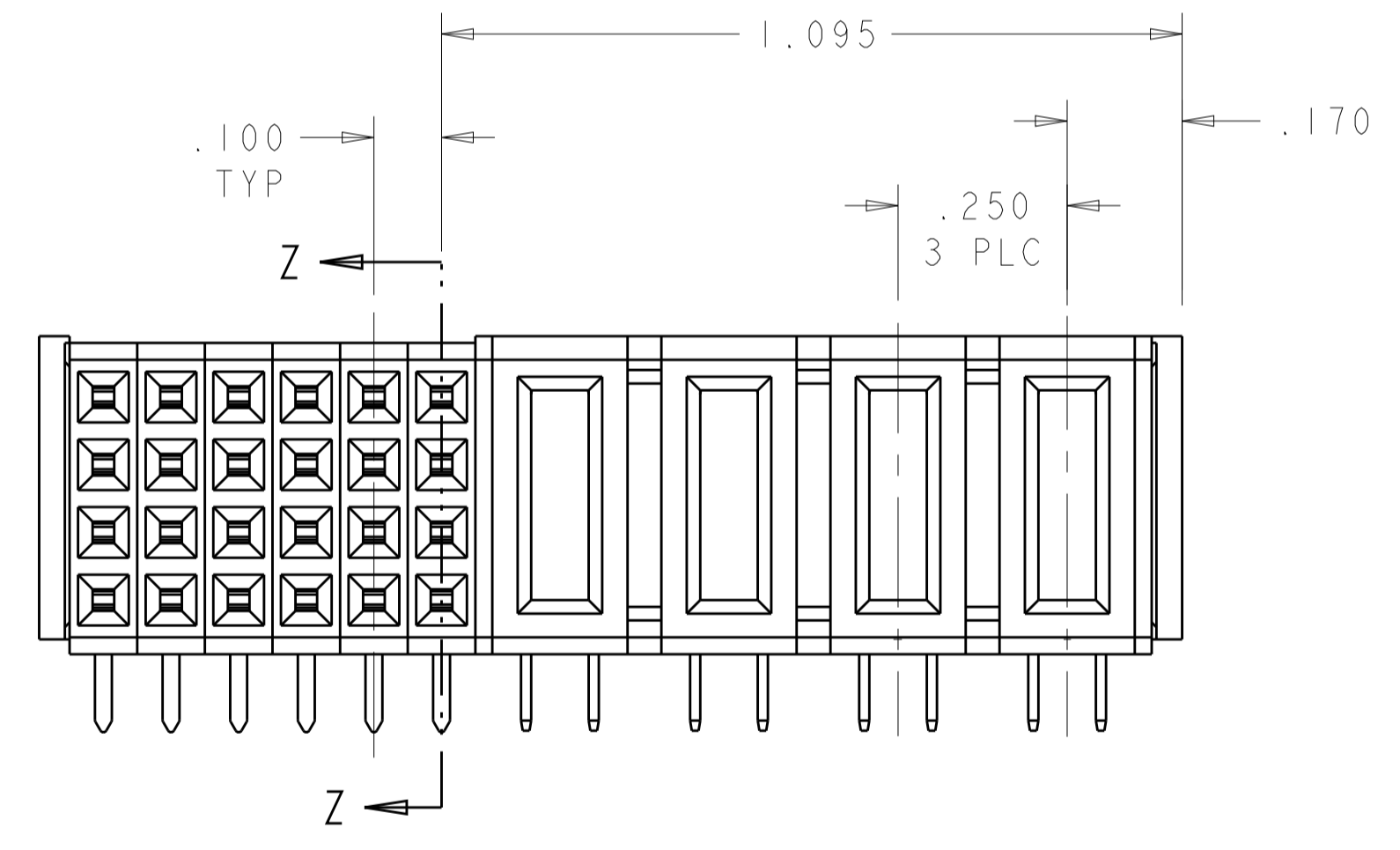


LOC		DIST		REVISIONS			
P	LTN	DESCRIPTION	DATE	DMN	APVD		
A		REV PER ECR-07-010714	15MAY2007	DZ	SY		
A1		ADVISED	15FEB2013	ML	SZ		



- ① PART NUMBER, AND DATE CODE MARKED IN AREA SHOWN. MARKING ON BOTH SIDES PERMITTED.
- ② MATERIAL:
 HOUSING - GLASS FILLED HIGH TEMP THERMO PLASTIC, UL94 V-0
 SIGNAL CONTACT - COPPER ALLOY
 POWER CONTACT - HIGH CONDUCTIVITY COPPER ALLOY
- ③ CONTACT PLATING: NOBLE METAL PLATING ON CONTACT FUNCTIONAL AREA OF POWER AND SIGNAL CONTACTS
- ④ MECHANICAL CONNECTOR KEEP OUT ZONE.
- ⑤ DATUM AND BASIC DIMENSIONS ESTABLISHED BY CUSTOMER.
- ⑥ PCB - ALL HOLE DIAMETERS ARE FINISHED HOLE SIZES.
- ⑦ PCB - $.0453 \pm .0010$ DRILLED HOLES PLATED WITH $.0003$ MIN Sn OVER $.001$ TO $.003$ Cu PLATING TO ACHIEVE A $.040$ HOLE.

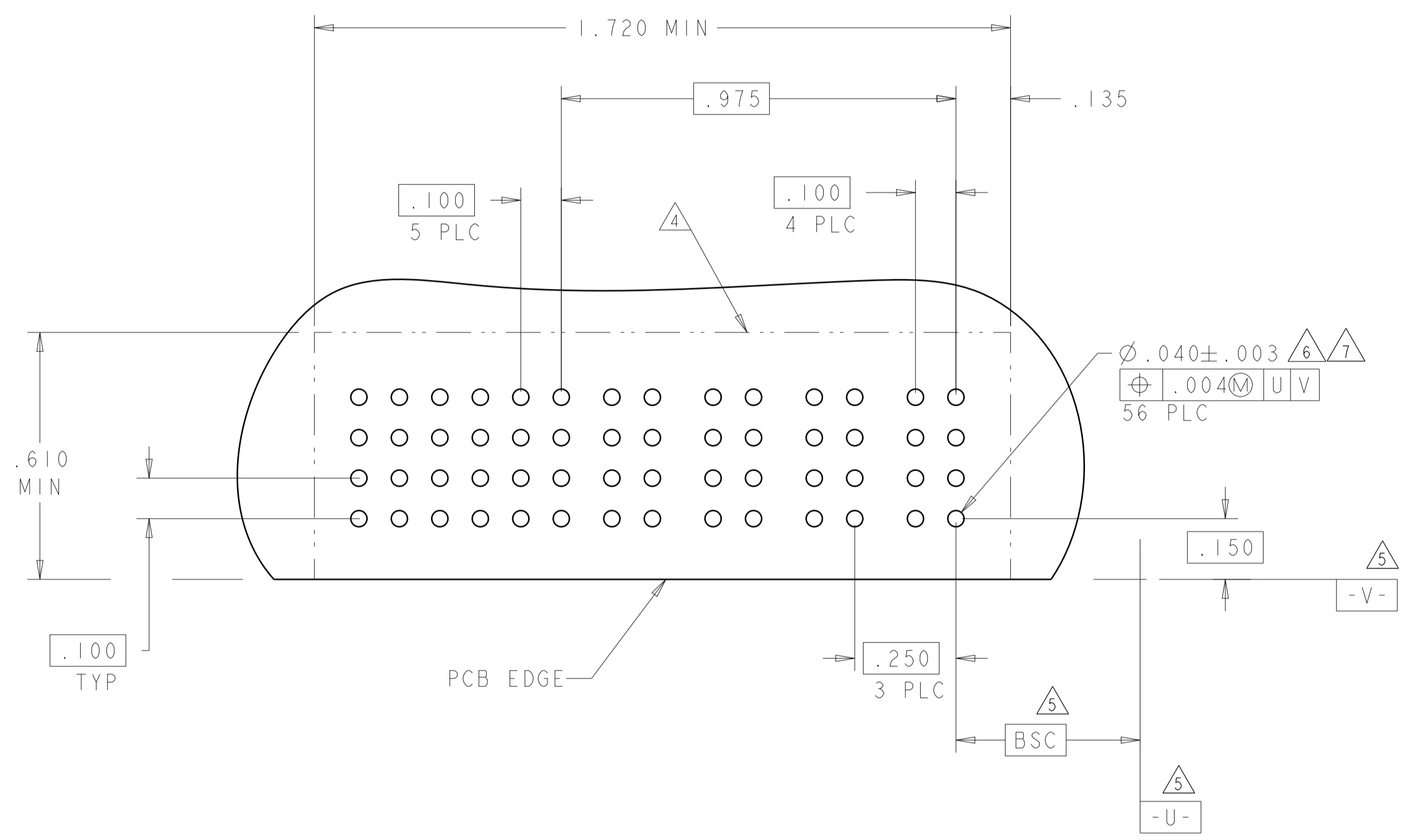


4P + 24S	6450166-1
DESCRIPTION	PART NUMBER

THIS DRAWING IS A CONTROLLED DOCUMENT.		DMN D. ZHU CHK S. ZHAO APVD S. YAO	15MAY2007 15MAY2007	TE Connectivity NAME RIGHT ANGLE RECEPTACLE ASSEMBLY W/O GUIDES, MULTI-BEAM XL
DIMENSIONS: INCHES 	TOLERANCES UNLESS OTHERWISE SPECIFIED: 0 PLC ±. 1 PLC ±.01 2 PLC ±.01 3 PLC ±.005 4 PLC ±.0020 ANGLES ±.020°	PRODUCT SPEC 108-1973 APPLICATION SPEC 114-13038 WEIGHT -	SIZE A1 CAGE CODE 6450166 DRAWING NO 100779	
MATERIAL: ②		FINISH: ③		RESTRICTED TO - SCALE 4:1 SHEET 1 OF 2 REV A1 Customer Drawing

LOC	DIST	REVISIONS					
		P	LTN	DESCRIPTION	DATE	DMN	APVD
ES	00	-	-	SEE SHEET 1	-	-	-

PART NUMBER	ROWS	SIGNAL					POWER				
		6	5	4	3	2	1	P4	P3	P2	P1
6450166-1	D	H	H	H	H	H					
	C	G	G	G	G	G					
	B	F	F	F	F	F	RM	RM	RM	RM	
	A	E	E	E	E	E					
4P x 24S											



H	SIGNAL CONTACT, .135	D
G	SIGNAL CONTACT, .135	C
F	SIGNAL CONTACT, .135	B
E	SIGNAL CONTACT, .135	A
RM	POWER CONTACT, STD	-
CODE	DESCRIPTION	ROW
CONTACT		

THIS DRAWING IS A CONTROLLED DOCUMENT.

DMN: D. ZHU	15MAY2007	STE TE Connectivity
CHK: S. ZHAO	15MAY2007	
DIMENSIONS: INCHES		NAME: RIGHT ANGLE RECEPTACLE ASSEMBLY W/O GUIDES, MULTI-BEAM XL
TOLERANCES UNLESS OTHERWISE SPECIFIED:		
0 PLC ±		PRODUCT SPEC: 108-1973
1 PLC ±.01		APPLICATION SPEC: 114-13038
2 PLC ±.01		SIZE: CAGE CODE: DRAWING NO: A100779
3 PLC ±.005		RESTRICTED TO: -
4 PLC ±.0020		WEIGHT: -
ANGLES ±.020		Customer Drawing
FINISH: -		SCALE: 4:1 SHEET 2 OF 2 REV: A1

X-ON Electronics

Largest Supplier of Electrical and Electronic Components

Click to view similar products for [Power to the Board](#) category:

Click to view products by [TE Connectivity](#) manufacturer:

Other Similar products are found below :

[10131318-08512GRLF](#) [6450171-4](#) [6450552-7](#) [6600323-8](#) [6643429-1](#) [6646040-2](#) [6651939-1](#) [6766604-1](#) [120959-1](#) [1393557-2](#) [1393532-2](#)
[1393532-3](#) [1393532-4](#) [1393557-1](#) [1600812-5](#) [1-6450861-2](#) [1645595-1](#) [1743490-1](#) [1744132-7](#) [1761122-1](#) [1766169-1](#) [1766250-1](#) [18362](#)
[1892109-1](#) [1-967627-6](#) [2226808-1](#) [2-6450860-5](#) [2-6450860-6](#) [2-6450870-0](#) [93003-0502](#) [953552-1](#) [1-6450161-4](#) [1-6450850-6](#) [1645526-2](#) [1-](#)
[6600130-0](#) [1743419-1](#) [1766150-1](#) [2005243-2](#) [211110-1](#) [2-6600130-2](#) [TE34-12-16P-F0](#) [51700-10201602AALF](#) [5-6450830-6](#) [5646956-4](#)
[36662-0005](#) [40585-3000](#) [4-6450830-9](#) [4-6600333-3](#) [51142-0214](#) [10125416-4050LF](#)