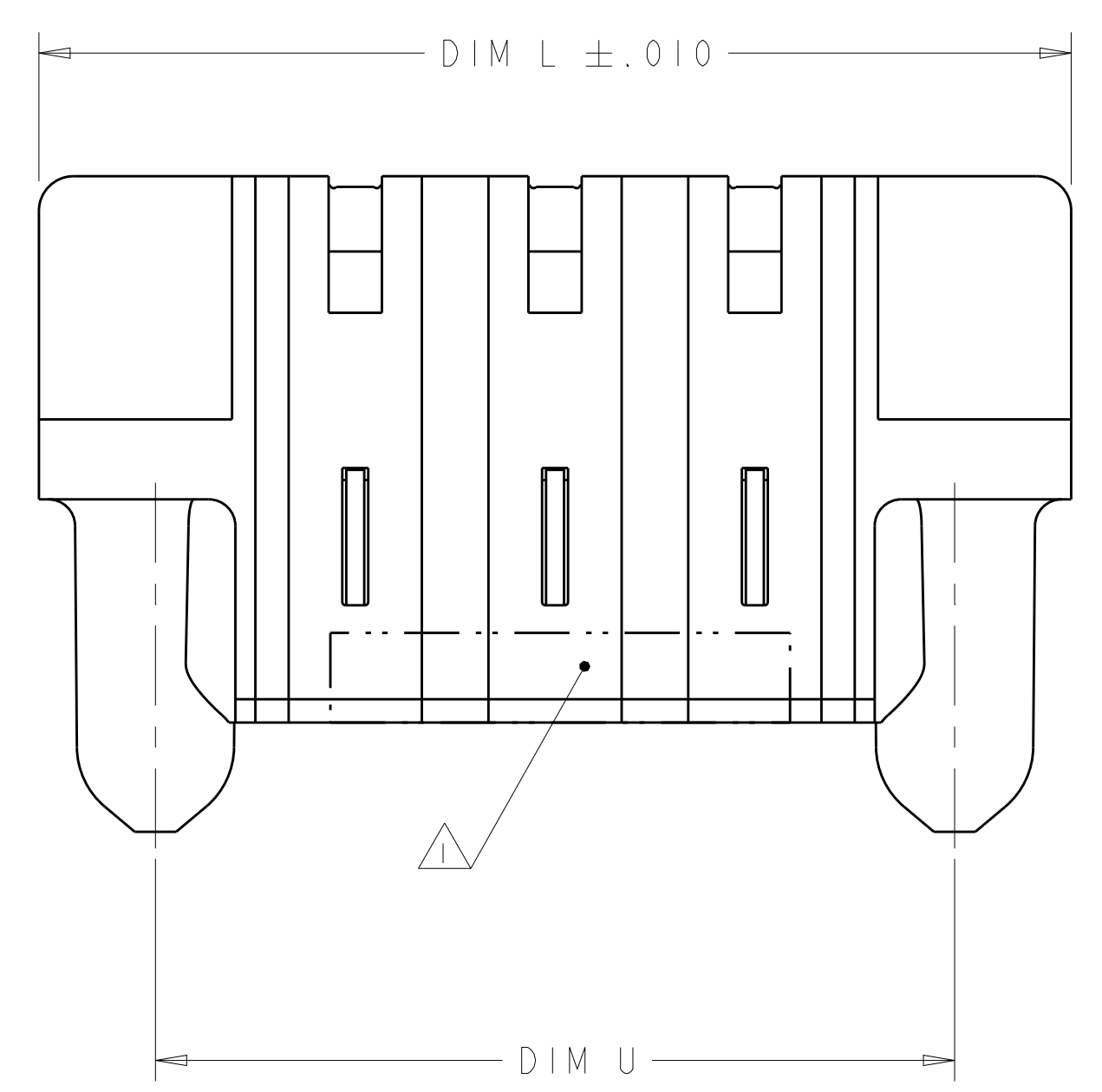
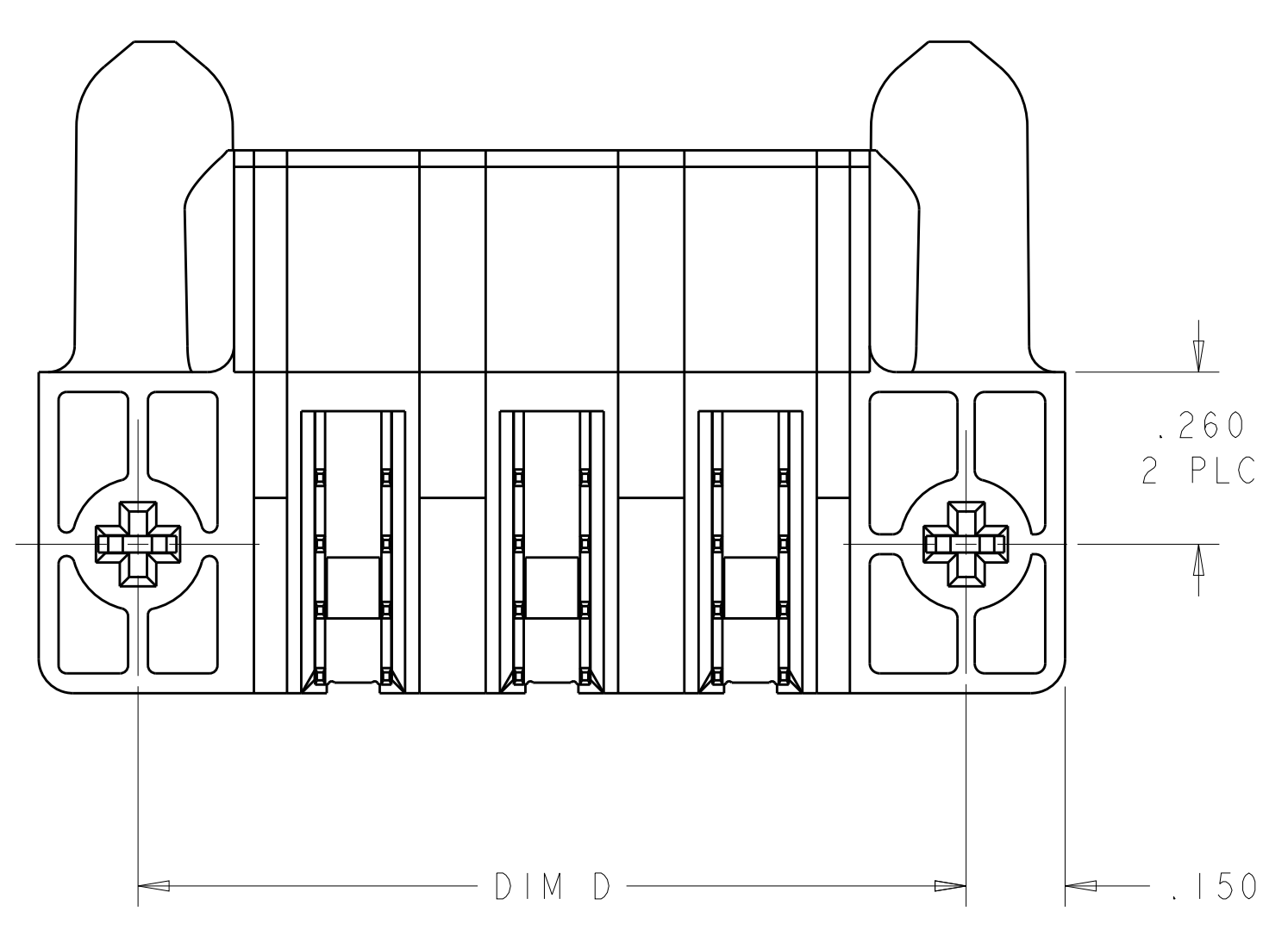
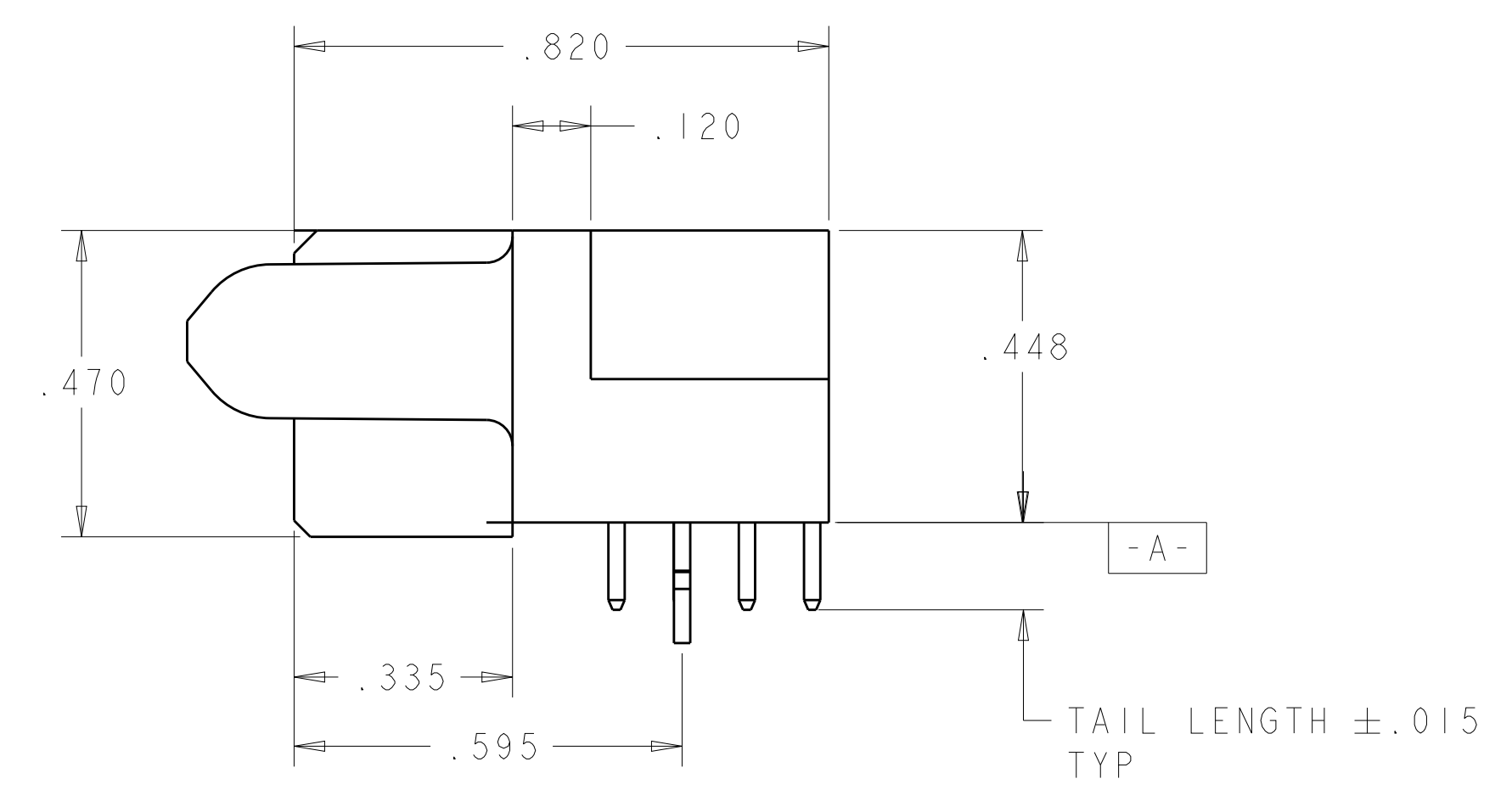
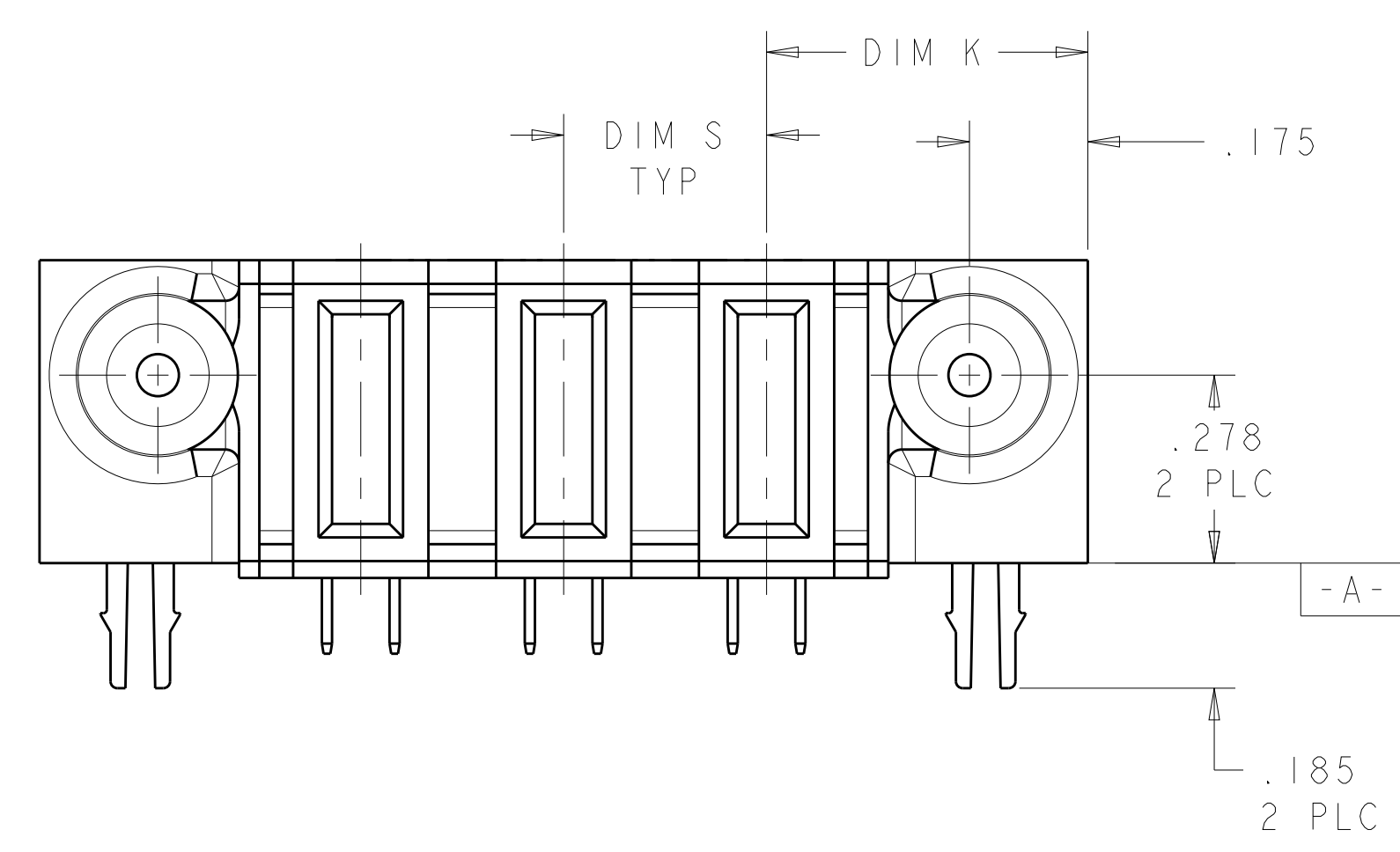


LOC		DIST		REVISIONS			
P	LTN	DESCRIPTION		DATE	DMN	APVD	
B2		ADD NEW DASH NUMBER -3		08APR2013	CZ	SZ	



- △ "AMP", PART NUMBER, AND DATE CODE TO BE MARKED IN AREA SHOWN. PARTS UNDER 2.000 MAY BE MARKED ON BOTH SIDES.
- △ MATERIAL: HOUSING - GLASS FILLED HIGH TEMP THERMO PLASTIC, UL94 V-0. POWER CONTACT -HIGH CONDUCTIVITY COPPER ALLOY.
- △ CONTACT PLATING: NOBLE METAL PLATING ON CONTACT FUNCTIONAL AREA OF POWER AND SIGNAL CONTACTS
- △ MECHANICAL CONNECTOR KEEP OUT ZONE.
- △ DATUM AND BASIC DIMENSIONS ESTABLISHED BY CUSTOMER.
- △ PCB - ALL HOLE DIAMETERS ARE FINISHED HOLE SIZES.
- △ PCB - .0453±.0010 DRILLED HOLES WITH .0003 MIN Sn OVER .001 TO .003 Cu PLATING TO ACHIEVE A .040±.003 DIA HOLE.



DIM U	DIM S	DIM D	DIM L	DIM K	DESCRIPTION	PART NUMBER
1.150	.300	1.200	1.500	.450	3ACP	6450173-3
1.550	.250	1.600	1.900	.450	5P	6450173-2
1.200	.300	1.250	1.550	.475	3ACP	6450173-1

THIS DRAWING IS A CONTROLLED DOCUMENT. DWN: R. GRZYBOWSKI, 22FEB05, CHK: M. PERCHERKE, 22FEB05, APVD: M. PERCHERKE

STE TE Connectivity

NAME: RIGHT ANGLE RECEPTACLE ASSEMBLY WITH GUIDES MULTI-BEAM XL

PRODUCT SPEC: 108-1973

APPLICATION SPEC: 114-13038

SIZE: A1, CAGE CODE: 6450173, DRAWING NO: 100779

MATERIAL: 2, FINISH: 3, WEIGHT: -

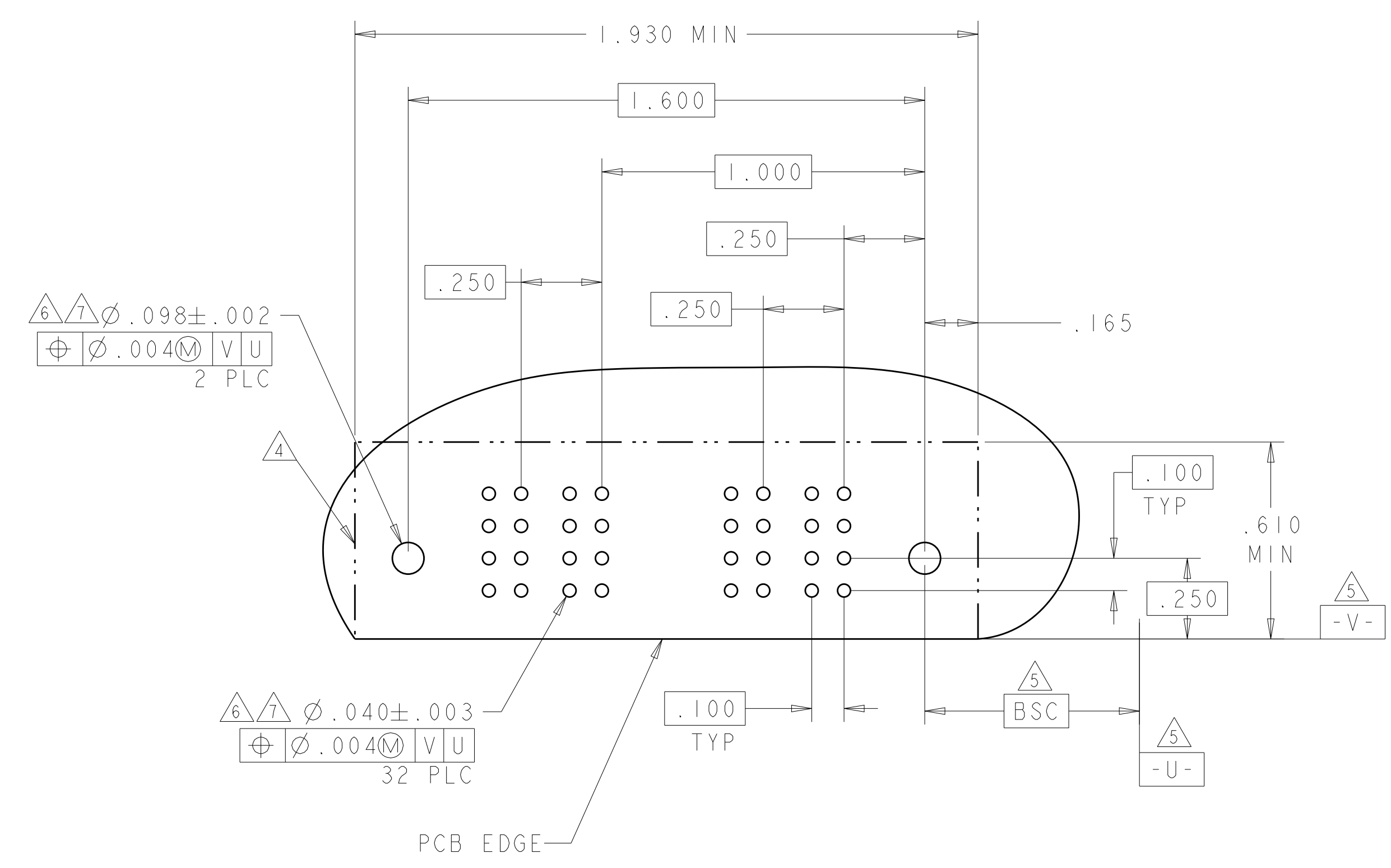
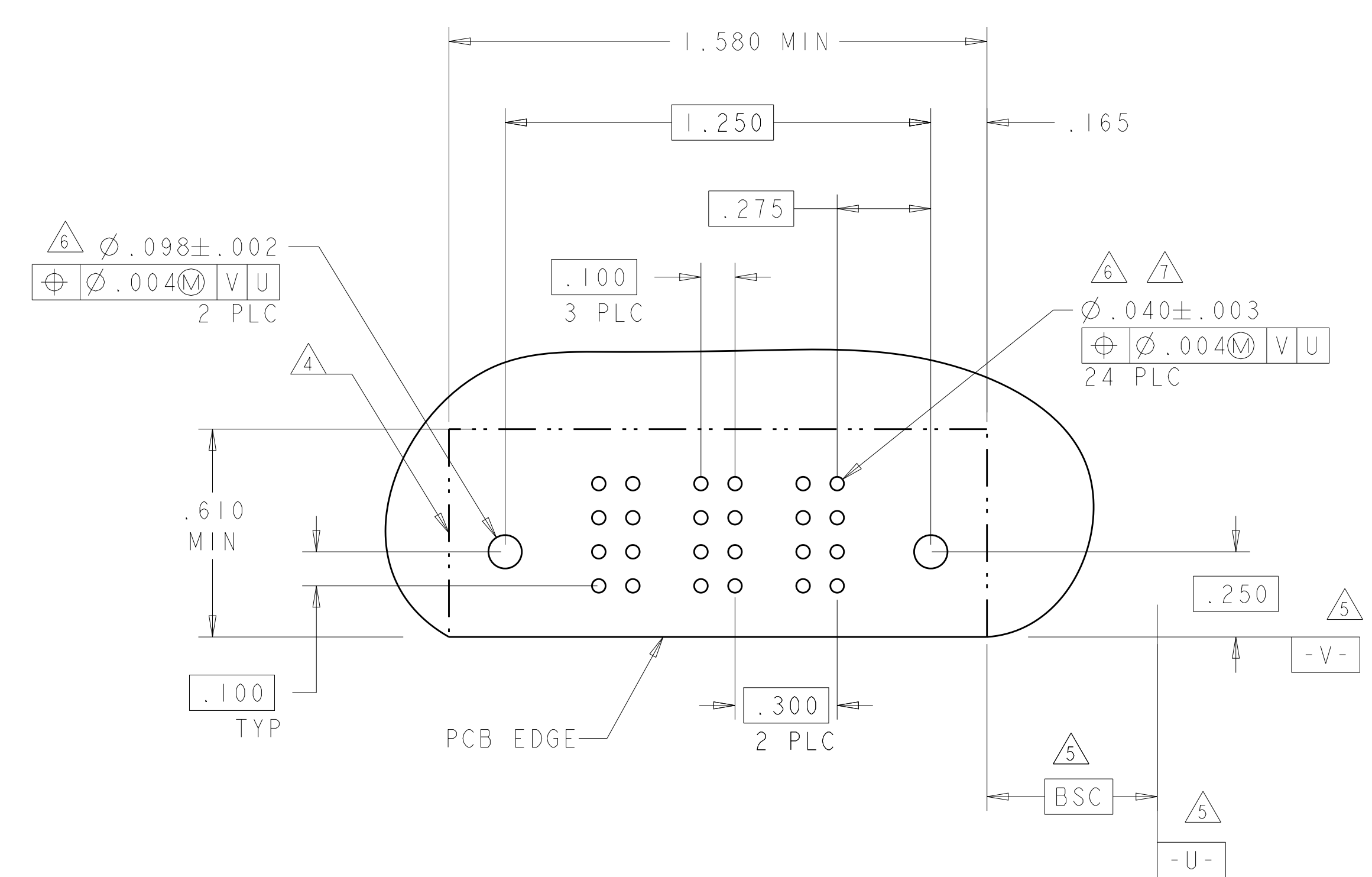
CUSTOMER DRAWING, SCALE: 4:1, SHEET: 1 OF 3, REV: B3

LOC		DIST		REVISIONS			
P	LTN	DESCRIPTION	DATE	DMN	APVD		
-	-	SEE SHEET 1	-	-	-		

PART NUMBER	ROWS	POWER		
		P3	P2	P1
6450173-1	D C B A	RM	RA	RM
3ACP		HD		HD

PART NUMBER	ROWS	POWER				
		P5	P4	P3	P2	P1
6450173-2	D C B A	RA	RA		RM	RM
5P		HD				HD

.500 .250



RB	.090	MFBL
RN	.090	STD
RA	.135	MFBL
RM	.135	STD
CODE	TAIL LENGTH	DESCRIPTION
POWER CONTACT		

THIS DRAWING IS A CONTROLLED DOCUMENT. DWN: R. GRZYBOWSKI 22FEB05
 CHK: M. PERCHERKE 22FEB05

DIMENSIONS:	TOLERANCES UNLESS OTHERWISE SPECIFIED:	APVD: M. PERCHERKE	NAME: R. GRZYBOWSKI
INCHES	0 PLC ± .01 1 PLC ± .01 2 PLC ± .01 3 PLC ± .005 4 PLC ± .002 ANGLES ± .020	PRODUCT SPEC: 108-1973	APPLICATION SPEC: 114-13038
MATERIAL:	FINISH:	WEIGHT:	RESTRICTED TO:

STE TE Connectivity

RIGHT ANGLE RECEPTACLE ASSEMBLY WITH GUIDES MULTI-BEAM XL

SIZE: A100779 CAGE CODE: 6450173 DRAWING NO: 114-13038

CUSTOMER DRAWING SCALE: 4:1 SHEET 2 OF 3 REV: B3

X-ON Electronics

Largest Supplier of Electrical and Electronic Components

Click to view similar products for [Board to Board & Mezzanine Connectors](#) category:

Click to view products by [TE Connectivity](#) manufacturer:

Other Similar products are found below :

[589158040000018](#) [MDF7C-18P-2.54DSA\(55\)](#) [FCN-268F036-G/BD](#) [FCN-268M012-G/0D](#) [FCN-268M024-G/1D](#) [FCN-723J004/1](#) [MIS-048-01-F-D-DP-K](#) [832-10-034-10-001000](#) [FX4C-80S-1.27DSA](#) [93696-330](#) [224393](#) [FCN-235D050-G/C](#) [210-93-314-41-105000](#) [2-22603-0](#) [MDF7-40DP-2.54DSA\(55\)](#) [5031084030](#) [MIT-114-03-F-D-K](#) [55323-1519](#) [45970-4130](#) [YFT-20-05-H-03-SB-K](#) [503308-3040](#) [026-6203-PDB](#) [027-6203-PDB](#) [069159702701000](#) [101A10019X](#) [105061100000861+](#) [55650-0588-C](#) [75140-7012](#) [87471-650](#) [YTW-30-07-H-Q-410-140](#) [YTT-112-01-H-Q](#) [063209](#) [FCN-268F024-G0D](#) [10124054-515LF](#) [68685-603](#) [8-1616154-3](#) [MIS-019-01-F-D](#) [YTQ-12103HQ](#) [541371078](#) [IL-WX-10PB-HF-B-E1000E](#) [YFT-50-05-H-10-SB-K](#) [FCN-268M024-G/3D](#) [FCN-214J100-G/0](#) [FCN-230C068-E/S](#) [74220-001](#) [354184](#) [P50-028-DDS-TG](#) [53309-2471](#) [54546-2071](#) [1586617-1](#)