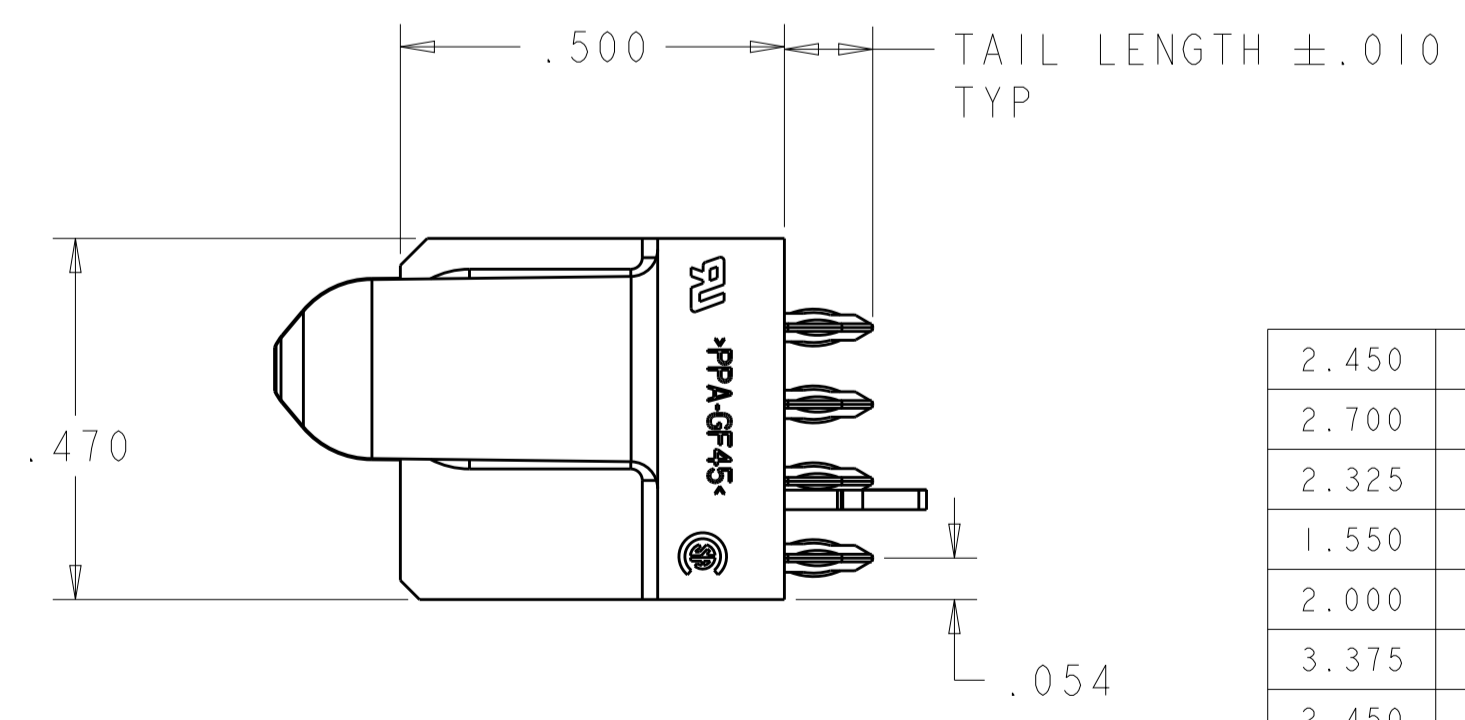
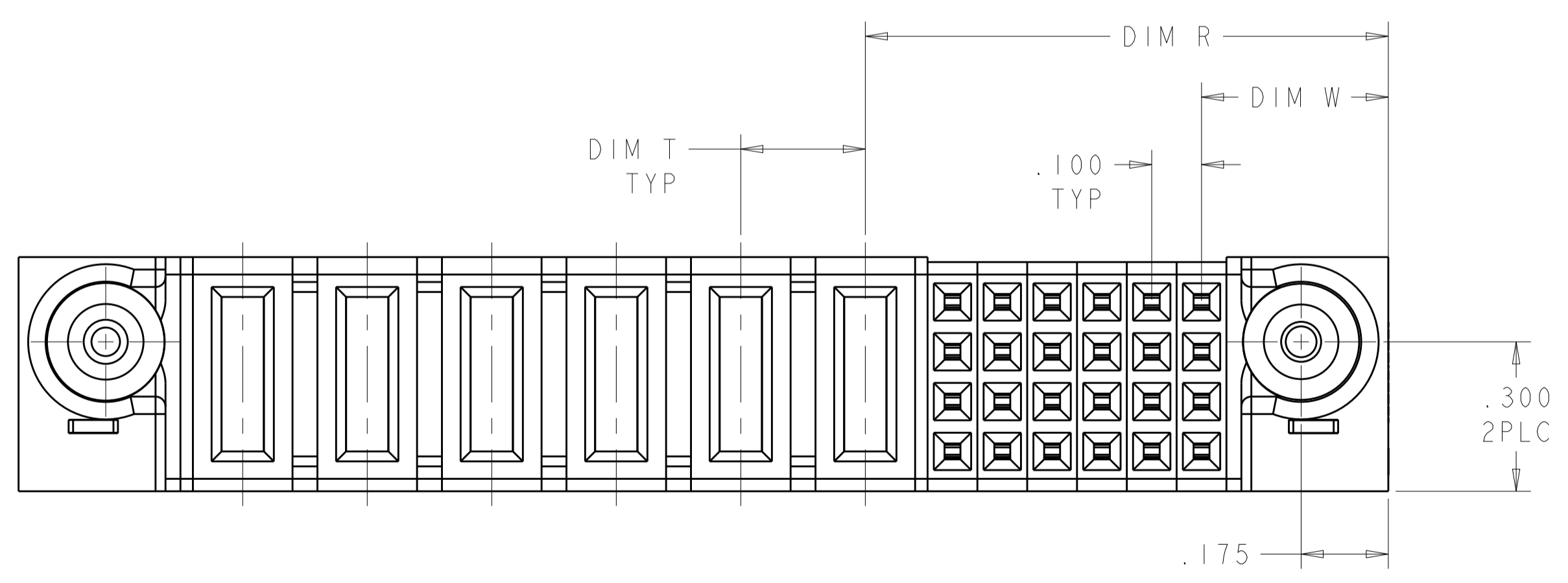
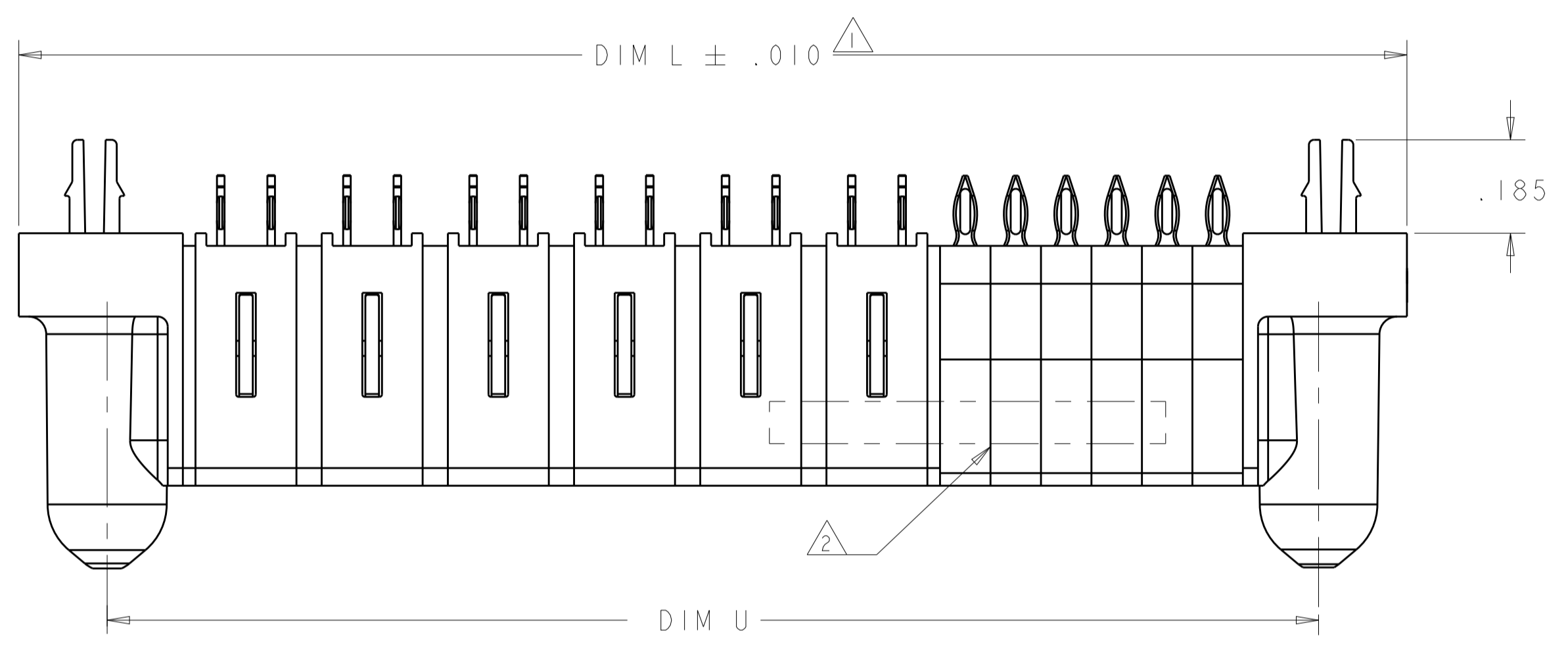
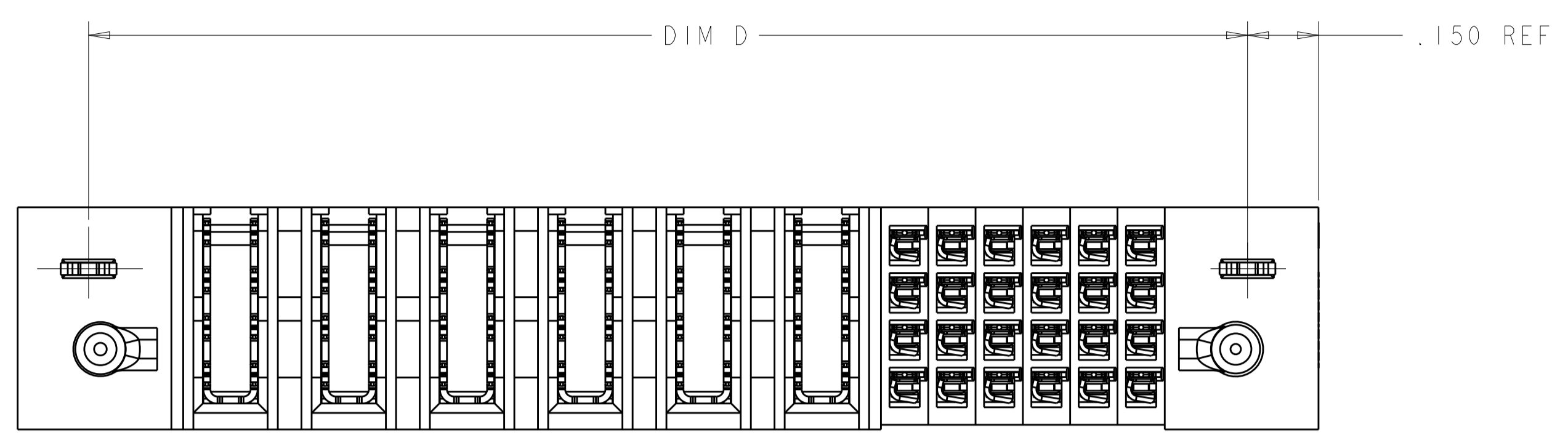


| LOC | | DIST | | REVISIONS | | | |
|-----|-----|---------------------------|-----------|-----------|------|--|--|
| P | LTN | DESCRIPTION | DATE | DMN | APVD | | |
| H2 | | ADDED THE DASH NUMBER -11 | 29APR2011 | ML | SZ | | |
| H3 | | ADDED NEW DASH NUMBER -12 | 05JUN2013 | CZ | SZ | | |
| H4 | | REV PER ECO-17-013303 | 22AUG2017 | WY | SZ | | |



- 1 THE MAXIMUM OVERALL LENGTH OF A PART IS 8.00.
- 2 PART NUMBER, AND DATE CODE MARKED IN AREA SHOWN. MARKING ON BOTH SIDES PERMITTED FOR PARTS UNDER 2.00 LONG.
- 3 MATERIAL:
 HOUSING - GLASS FILLED HIGH TEMP THERMO PLASTIC, UL94 V-0, BLACK
 SIGNAL CONTACT - HIGH CONDUCTIVITY COPPER ALLOY
 POWER CONTACT - HIGH CONDUCTIVITY COPPER ALLOY
- 4 CONTACT PLATING: NOBLE METAL PLATING ON CONTACT FUNCTIONAL AREA OF POWER AND SIGNAL CONTACTS
- 5 MECHANICAL CONNECTOR KEEP OUT ZONE.
- 6 DATUM AND BASIC DIMENSIONS ESTABLISHED BY CUSTOMER.
- 7 PCB - ALL HOLE DIAMETERS ARE FINISHED HOLE SIZES.
- 8 PCB - $.0453 \pm .0010$ DRILLED HOLES PLATED WITH $.0003$ MIN Sn OVER $.001$ TO $.003$ Cu PLATING TO ACHIEVE A $.040$ HOLE.

| 2.450 | 2.400 | .250 | 1.050 | .375 | 2.750 | 24S + 6P | 1-6450551-3 |
|-------|-------|------|-------|------|-------|-------------|-------------|
| 2.700 | 2.650 | .250 | 1.050 | .375 | 3.000 | 24S + 7P | 1-6450551-2 |
| 2.325 | 2.275 | .250 | .925 | .425 | 2.625 | 16S + 6P | 1-6450551-1 |
| 1.550 | 1.500 | .200 | .825 | .375 | 1.850 | 16S + 4P | 1-6450551-0 |
| 2.000 | 1.950 | .250 | .850 | .375 | 2.300 | 16S + 5P | 6450551-9 |
| 3.375 | 3.325 | .200 | 1.050 | .375 | 3.675 | 24S + 12HDP | 6450551-8 |
| 2.450 | 2.400 | .250 | 1.050 | .375 | 2.750 | 24S + 6P | 6450551-7 |
| 3.000 | 2.950 | .200 | 1.050 | .375 | 3.300 | 24S + 10HDP | 6450551-6 |
| 4.650 | 4.600 | .250 | 1.250 | .375 | 4.950 | 32S + 14P | 6450551-5 |
| 3.375 | 3.325 | .200 | 1.050 | .375 | 3.675 | 24S + 12HDP | 6450551-4 |
| 2.450 | 2.400 | .250 | 1.050 | .375 | 2.750 | 24S + 6P | 6450551-1 |
| D | U | T | R | W | L | DESCRIPTION | PART NUMBER |

THIS DRAWING IS A CONTROLLED DOCUMENT. DWN: LESSON.LL 02AUG2007
 CHK: SUNNY.ZHAO 02AUG2007

APVD: STEVEN.YAO

NAME: STEVEN.YAO

PRODUCT SPEC: 108-1973

APPLICATION SPEC: 114-13038

WEIGHT: -

CUSTOMER DRAWING

SCALE: 2:1

SHEET 1 OF 8

REV: H4

STE TE Connectivity

VERTICAL RECEPTACLE ASSEMBLY WITH GUIDES, PRESS-FIT, MULTI-BEAM XL

SIZE: A1

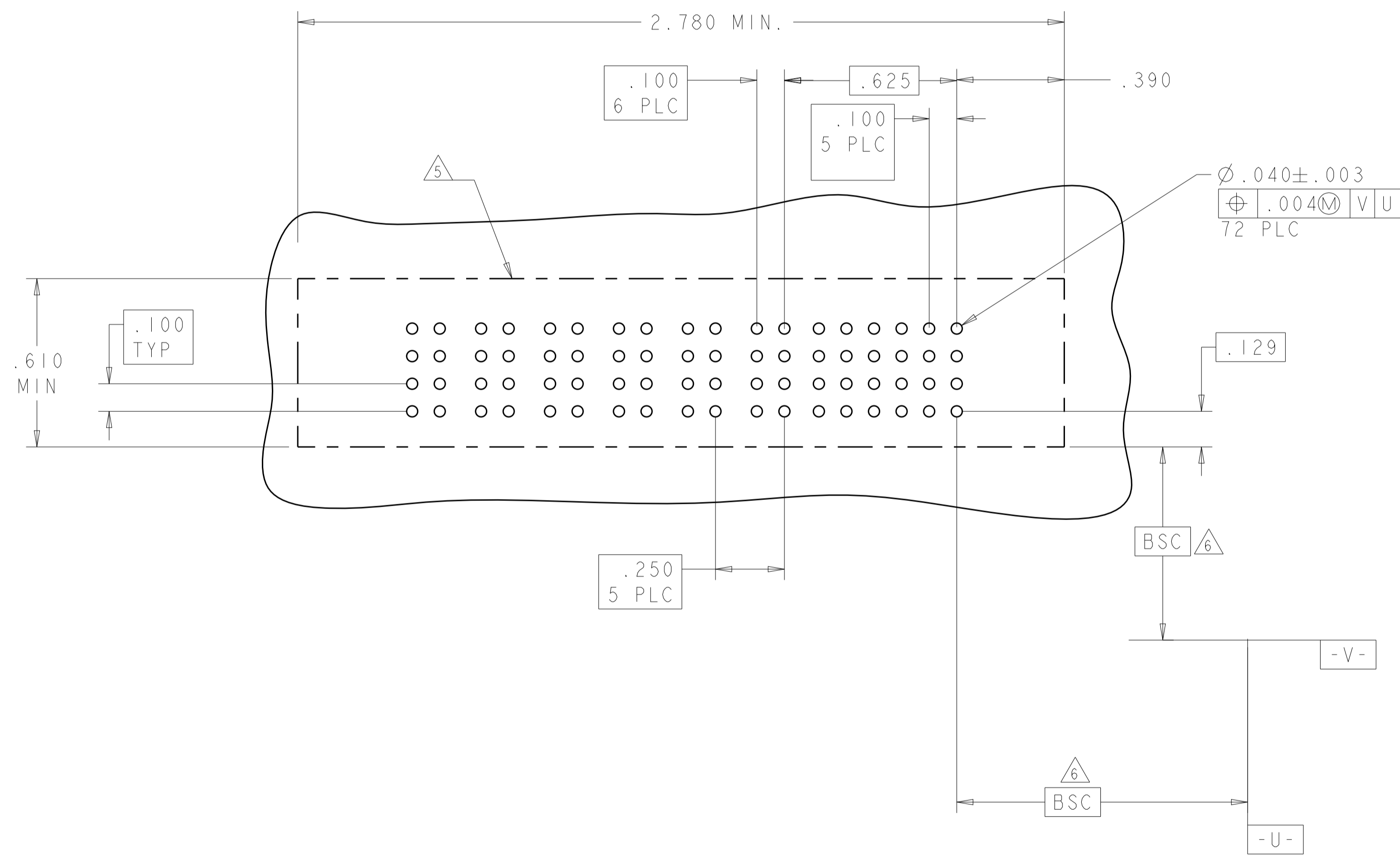
CAGE CODE: 100779

DRAWING NO: 6450551

| LOC | | DIST | | REVISIONS | | | |
|-----|-----|-------------|------|-----------|------|--|--|
| P | LTN | DESCRIPTION | DATE | DMN | APVD | | |
| - | - | SEE SHEET 1 | - | - | - | | |

| PART NUMBER | ROWS | POWER | | | | | | SIGNAL | | | | | |
|-------------|------------------|-------|----|----|----|----|----|--------|----|----|----|----|----|
| | | P6 | P5 | P4 | P3 | P2 | P1 | 6 | 5 | 4 | 3 | 2 | 1 |
| 6450551-1 | D C B A | GS | GS | GS | GP | GP | GP | AP | AP | AP | AP | AP | AP |
| | | GS | GS | GS | GP | GP | GP | AP | AP | AP | AP | AP | AP |
| | | GS | GS | GS | GP | GP | GP | AP | AP | AP | AP | AP | AP |
| | | GS | GS | GS | GP | GP | GP | AP | AP | AP | AP | AP | AP |
| 24S + 6P | | | | | | | | | | | | | |

| PART NUMBER | ROWS | POWER | | | | | | SIGNAL | | | | | |
|-------------|------------------|-------|----|----|----|----|----|--------|----|----|----|----|----|
| | | P6 | P5 | P4 | P3 | P2 | P1 | 6 | 5 | 4 | 3 | 2 | 1 |
| 1-6450551-3 | D C B A | GS | GS | GS | GP | GP | GP | AP | AP | AP | AP | AP | AP |
| | | GS | GS | GS | GP | GP | GP | AP | AP | AP | AP | AP | AP |
| | | GS | GS | GS | GP | GP | GP | AP | AP | AP | AP | AP | AP |
| | | GS | GS | GS | GP | GP | GP | AP | AP | AP | AP | AP | AP |
| 24S + 6P | | | | | | | | | | | | | |



| SIGNAL CONTACT, .135 TAIL LENGTH | AP |
|--------------------------------------|------|
| POWER CONTACT, STD .135 TAIL LENGTH | GS |
| POWER CONTACT, MFBL .135 TAIL LENGTH | GP |
| DESCRIPTION | CODE |

THIS DRAWING IS A CONTROLLED DOCUMENT. DWG: LESSON.L1 02AUG2007
 CHK: SUNNY.ZHAO 02AUG2007
 APYB: STEVEN.YAO

TE Connectivity

NAME: VERTICAL RECEPTACLE ASSEMBLY WITH GUIDES, PRESS-FIT, MULTI-BEAM XL

PRODUCT SPEC: 108-1973
 APPLICATION SPEC: 114-13038

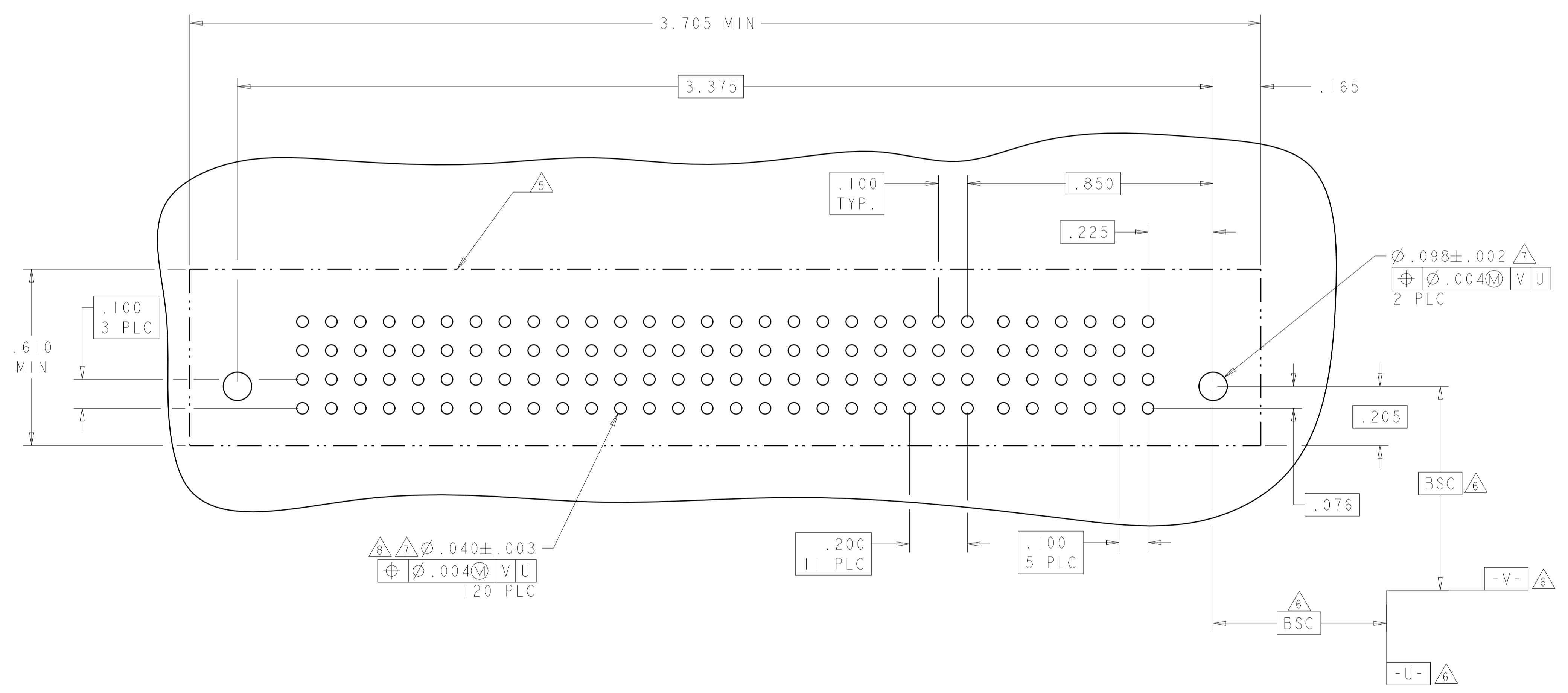
SIZE: A1 CAGE CODE: 6450551 DRAWING NO: 100779

RESTRICTED TO: -

CUSTOMER DRAWING SCALE: 2:1 SHEET: 2 OF 8 REV: H4

| LOC | | DIST | | REVISIONS | | | |
|-----|-----|-------------|------|-----------|------|--|--|
| P | LTN | DESCRIPTION | DATE | DWN | APVD | | |
| - | - | SEE SHEET 1 | - | - | - | | |

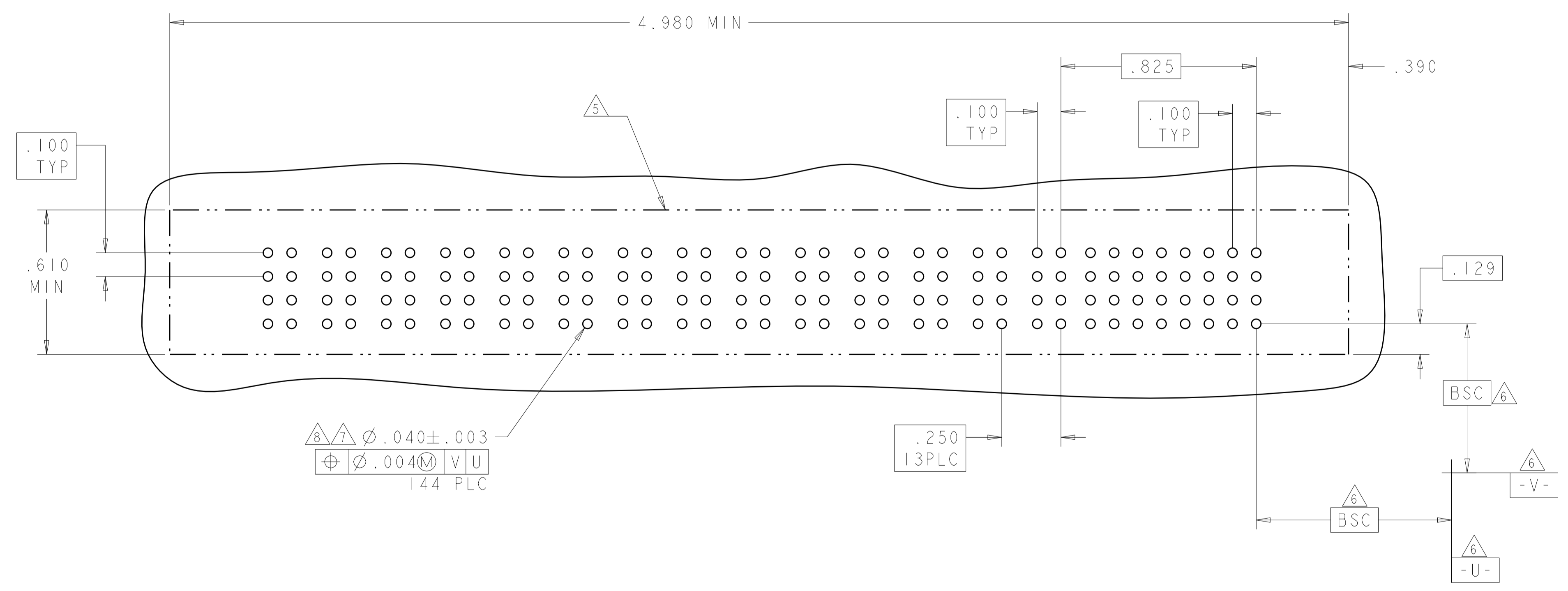
| PART NUMBER | ROWS | POWER | | | | | | | | | | | SIGNAL | | | | | | | | |
|-------------|------------------|-------|-----|-----|----|----|----|----|----|----|----|----|--------|----|----|----|----|----|----|----|----|
| | | PI2 | PI1 | PI0 | P9 | P8 | P7 | P6 | P5 | P4 | P3 | P2 | P1 | 6 | 5 | 4 | 3 | 2 | 1 | | |
| 6450551-4 | D C B A | HD | GS | GS | GS | GS | GS | GS | GP | GP | GP | GP | GP | GP | GP | AP | AP | AP | AP | AP | AP |
| | | | GS | GS | GS | GS | GS | GP | GP | GP | GP | GP | GP | GP | GP | AP | AP | AP | AP | AP | AP |
| | | | GS | GS | GS | GS | GS | GP | GP | GP | GP | GP | GP | GP | GP | AP | AP | AP | AP | AP | AP |
| | | | GS | GS | GS | GS | GS | GP | GP | GP | GP | GP | GP | GP | GP | AP | AP | AP | AP | AP | AP |
| 24S + 12HDP | | | | | | | | | | | | | | | | | | | | | |



| | | | |
|--------------------------------------------------------------------------------------|--|-----------------------------|--------------------------------------------------------------------------|
| THIS DRAWING IS A CONTROLLED DOCUMENT. | | DWN: LESSON, L.L. 02AUG2007 | TE Connectivity |
| DIMENSIONS: INCHES | | CHK: SUNNY, ZHAO 02AUG2007 | |
| TOLERANCES UNLESS OTHERWISE SPECIFIED: | | APVD: STEVEN, YAO | NAME: VERTICAL RECEPTACLE ASSEMBLY WITH GUIDES, PRESS-FIT, MULTI-BEAM XL |
| 0 PLC ±.1 1 PLC ±0.1 2 PLC ±0.02 3 PLC ±0.005 4 PLC ±0.0005 ANGLES ±. | | PRODUCT SPEC: 108-1973 | SIZE: A1 |
| MATERIAL: FINISH: | | APPLICATION SPEC: 114-13038 | CAGE CODE: 6450551 |
| | | WEIGHT: CUSTOMER DRAWING | RESTRICTED TO: H4 |
| | | SCALE: 2:1 | SHEET 3 OF 8 |

| LOC | DIST | REV | DATE | BY | APPV |
|-----|------|-------------|------|------|------|
| - | - | - | - | - | - |
| | | DESCRIPTION | | DATE | BY |
| | | SEE SHEET 1 | | - | - |

| PART NUMBER | ROWS | POWER | | | | | | | | | | | | | | SIGNAL | | | | | | | | | |
|-------------|------------------|-------|-----|-----|-----|-----|----|----|----|----|----|----|----|----|----|--------|----|----|----|----|----|----|----|--|--|
| | | P14 | P13 | P12 | P11 | P10 | P9 | P8 | P7 | P6 | P5 | P4 | P3 | P2 | P1 | 8 | 7 | 6 | 5 | 4 | 3 | 2 | 1 | | |
| 6450551-5 | D C B A | GS | GP | GS | GP | GS | GP | GS | GP | GS | GP | GS | GP | GS | GP | AP | AP | AP | AP | AP | AP | AP | AP | | |
| | | GS | GP | GS | GP | GS | GP | GS | GP | GS | GP | GS | GP | GS | GP | AP | AP | AP | AP | AP | AP | AP | AP | | |
| | | GS | GP | GS | GP | GS | GP | GS | GP | GS | GP | GS | GP | GS | GP | AP | AP | AP | AP | AP | AP | AP | AP | | |
| | | GS | GP | GS | GP | GS | GP | GS | GP | GS | GP | GS | GP | GS | GP | AP | AP | AP | AP | AP | AP | AP | AP | | |
| 32S + 14P | | | | | | | | | | | | | | | | | | | | | | | | | |

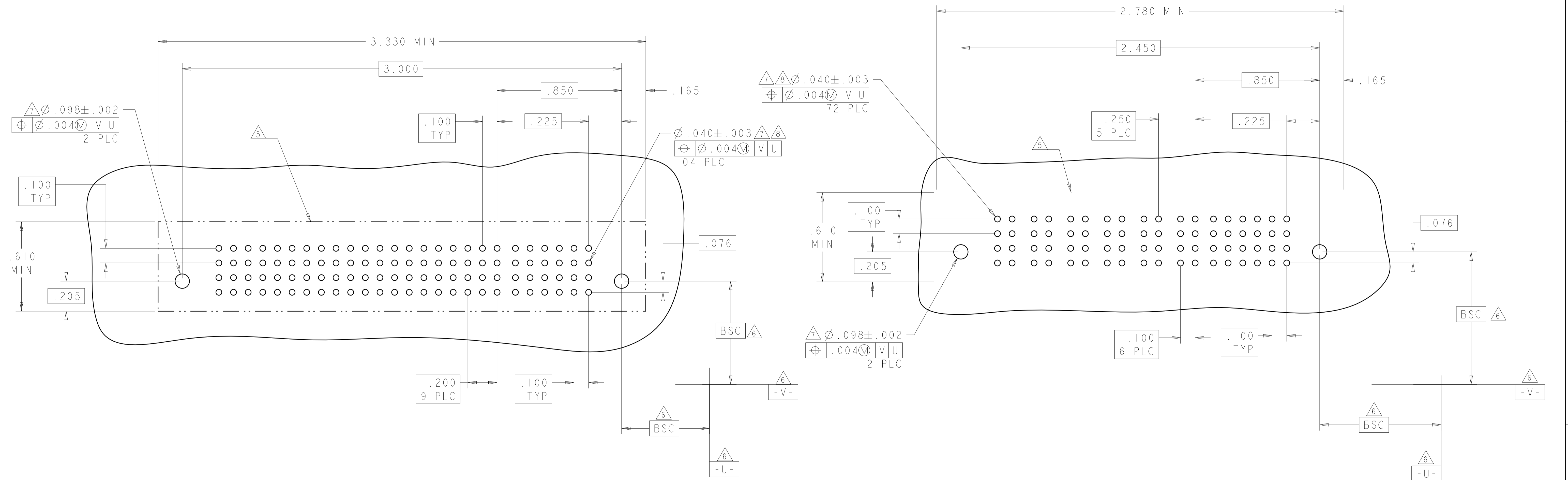


| | | | |
|---------------------------------------------------------------------------------------------------------------------------------|--|-----------------------------|--------------------------------------------------------------------------|
| THIS DRAWING IS A CONTROLLED DOCUMENT. | | OWN: LESSON.LL 02AUG2007 | TE Connectivity |
| DIMENSIONS: INCHES | | CHK: SUNNY.ZHAO 02AUG2007 | |
| TOLERANCES UNLESS OTHERWISE SPECIFIED: 0 PLC ±.1 1 PLC ±0.1 2 PLC ±0.02 3 PLC ±0.005 4 PLC ±0.0005 ANGLES ±.1 | | APV: STEVEN YAO | NAME: VERTICAL RECEPTACLE ASSEMBLY WITH GUIDES, PRESS-FIT, MULTI-BEAM XL |
| MATERIAL: - | | PRODUCT SPEC: 108-1973 | SIZE: A1 |
| FINISH: - | | APPLICATION SPEC: 114-13038 | CAGE CODE: 6450551 |
| CUSTOMER DRAWING | | WEIGHT: - | RESTRICTED TO: - |
| SCALE: 2:1 | | SHEET: 4 OF 8 | REV: H4 |

| LOC | | DIST | | REVISIONS | | | |
|-----|-----|-------------|------|-----------|------|--|--|
| P | LTN | DESCRIPTION | DATE | DMN | APVD | | |
| - | - | SEE SHEET 1 | - | - | - | | |

| PART NUMBER | ROWS | POWER | | | | | | | | | | SIGNAL | | | | | | | |
|-------------|------------------|-------|----|----|----|----|----|----|----|----|----|--------|----|----|----|----|----|--|--|
| | | P10 | P9 | P8 | P7 | P6 | P5 | P4 | P3 | P2 | P1 | 6 | 5 | 4 | 3 | 2 | 1 | | |
| 6450551-6 | D C B A | GS | GS | GP | GP | GP | GP | GP | GS | GS | GS | AP | AP | AP | AP | AP | AP | | |
| | | GS | GS | GP | GP | GP | GP | GP | GS | GS | GS | AP | AP | AP | AP | AP | AP | | |
| | | GS | GS | GP | GP | GP | GP | GP | GS | GS | GS | AP | AP | AP | AP | AP | AP | | |
| 24S + 10HDP | | | | | | | | | | | | | | | | | | | |

| PART NUMBER | ROWS | POWER | | | | | | SIGNAL | | | | | |
|-------------|------------------|-------|----|----|----|----|----|--------|----|----|----|----|----|
| | | P6 | P5 | P4 | P3 | P2 | P1 | 6 | 5 | 4 | 3 | 2 | 1 |
| 6450551-7 | D C B A | GP | GP | GS | GS | GS | GS | AP | AP | AP | AP | AP | AP |
| | | GP | GP | GS | GS | GS | GS | AP | AP | AP | AP | AP | AP |
| | | GP | GP | GS | GS | GS | GS | AP | AP | AP | AP | AP | AP |
| 24S + 6P | | | | | | | | | | | | | |



THIS DRAWING IS A CONTROLLED DOCUMENT.

| | | | | | | | | | | |
|-----------------------|----------------------------------------------------------------------------------------------------------------------------------|--------|---------------------------------------------------------------------------|------------------|------------------------|-----------------------------|-----------|------------|---------------|---------|
| DIMENSIONS: INCHES | TOLERANCES UNLESS OTHERWISE SPECIFIED: 0 PLC ±.1 1 PLC ±0.02 2 PLC ±0.02 3 PLC ±0.005 4 PLC ±0.0005 ANGLES ±.1 | FINISH | DMN: LESSON.LL 02AUG2007 CHK: SUNNY.ZHAO 02AUG2007 APVD: STEVEN.YAO | NAME: STEVEN.YAO | PRODUCT SPEC: 108-1973 | APPLICATION SPEC: 114-13038 | WEIGHT: - | SCALE: 2:1 | SHEET: 5 OF 8 | REV: H4 |
|-----------------------|----------------------------------------------------------------------------------------------------------------------------------|--------|---------------------------------------------------------------------------|------------------|------------------------|-----------------------------|-----------|------------|---------------|---------|

STE TE Connectivity

VERTICAL RECEPTACLE ASSEMBLY WITH GUIDES, PRESS-FIT, MULTI-BEAM XL

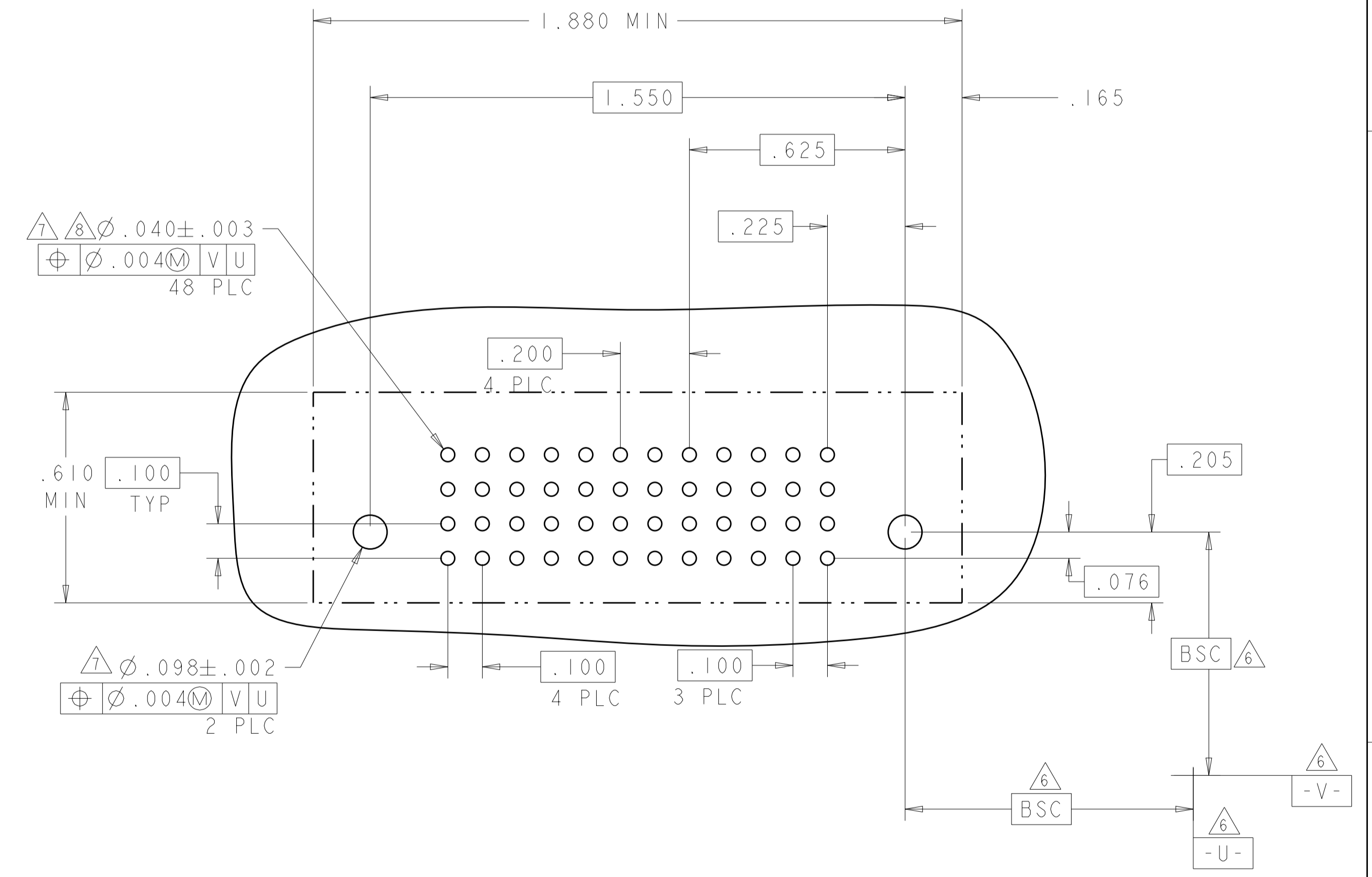
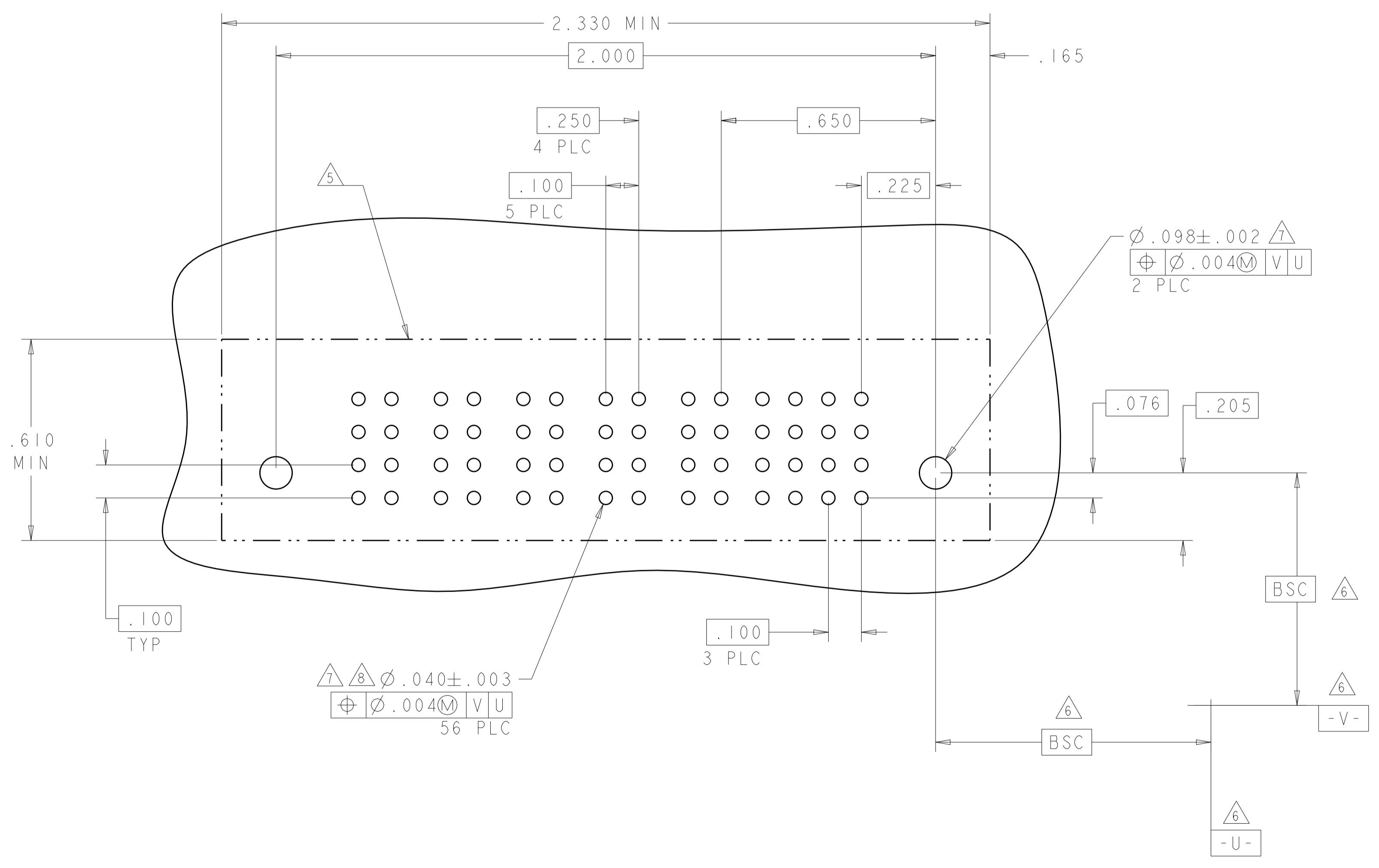
SIZE: A1 00779 C=6450551

CUSTOMER DRAWING

| LOC | DIST | REV | DATE | BY | APPV |
|-----------|------|-----|-------------|----|------|
| - | - | 1 | - | - | - |
| REVISIONS | | | DESCRIPTION | | |
| - | | | SEE SHEET 1 | | |

| ASSY PART NUMBER | ROWS | POWER | | | | | SIGNAL | | | |
|------------------|------|-------|----|----|----|----|--------|----|----|----|
| | | P5 | P4 | P3 | P2 | PI | 4 | 3 | 2 | 1 |
| 6450551-9 | D | GP | GS | GS | GS | GP | AP | AP | AP | AP |
| | C | | | | | | AP | AP | AP | AP |
| | B | | | | | | AP | AP | AP | AP |
| | A | | | | | | AP | AP | AP | AP |
| 16S + 5P | | HD | | HD | | | | | | |

| PART NUMBER | ROWS | POWER | | | | SIGNAL | | | |
|-------------|------|-------|----|----|----|--------|----|----|----|
| | | P4 | P3 | P2 | PI | 4 | 3 | 2 | 1 |
| 1-6450551-0 | D | GP | GP | GS | GS | AP | AP | AP | AP |
| | C | | | | | AP | AP | AP | AP |
| | B | | | | | AP | AP | AP | AP |
| 16S + 4P | | HD | | HD | | | | | |



THIS DRAWING IS A CONTROLLED DOCUMENT. DWG: LESSON.L1 02AUG2007
 CHK: SUNNY.ZHAO 02AUG2007
 APV: STEVEN.YAO

STE TE Connectivity

NAME: VERTICAL RECEPTACLE ASSEMBLY WITH GUIDES, PRESS-FIT, MULTI-BEAM XL
 PRODUCT SPEC: 108-1973
 APPLICATION SPEC: 114-13038
 WEIGHT: -
 MATERIAL: -
 FINISH: -

DIMENSIONS: INCHES
 0 PLC ±.1
 1 PLC ±.02
 2 PLC ±.005
 3 PLC ±.005
 4 PLC ±.0005
 ANGLES ±.0005

TOLERANCES UNLESS OTHERWISE SPECIFIED:
 FINISH: -

SIZE: A1
 CAGE CODE: 6450551
 DRAWING NO: 100779
 CUSTOMER DRAWING

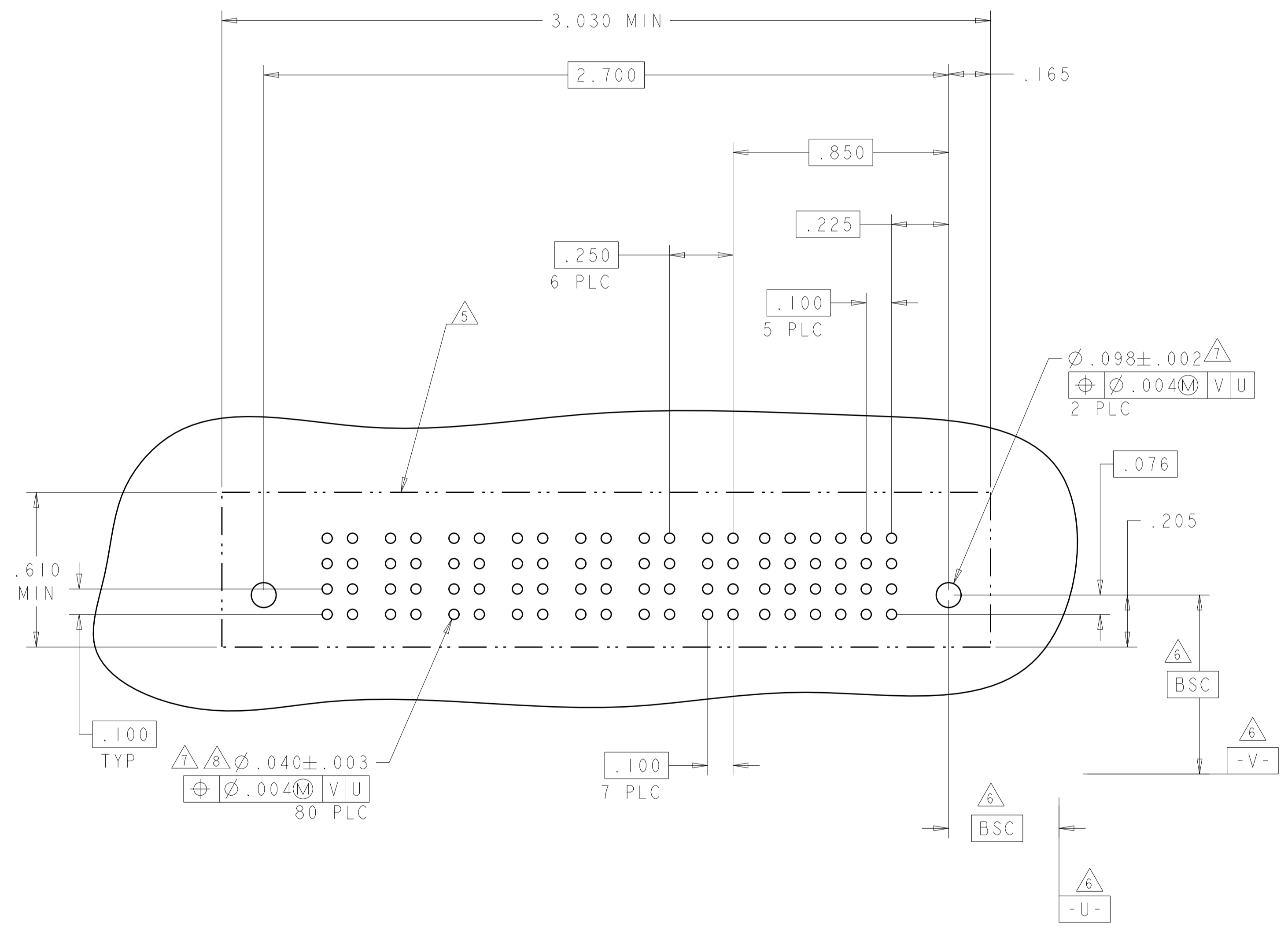
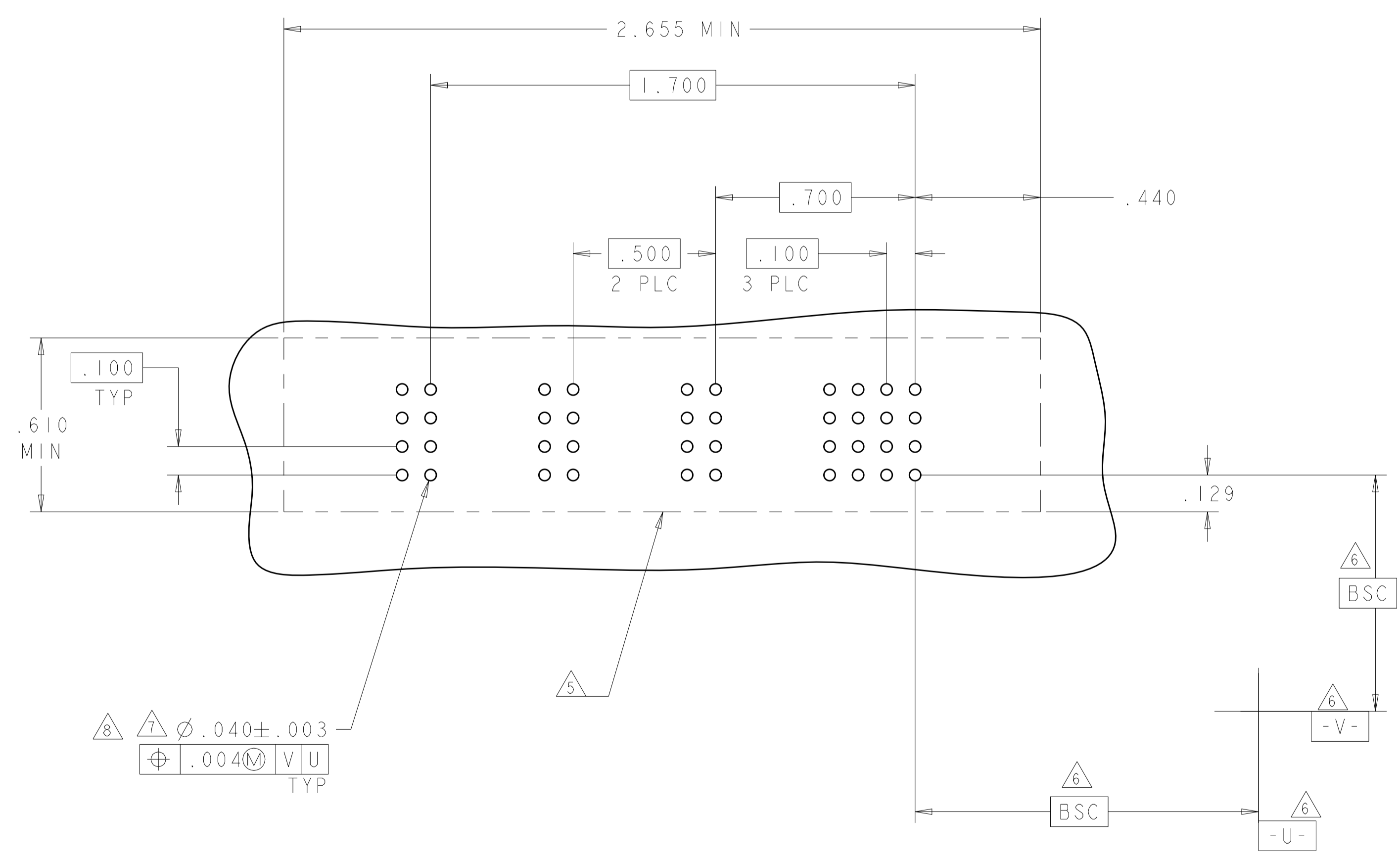
RESTRICTED TO: -
 SCALE: 2:1
 SHEET: 7 OF 8
 REV: H4

| LOC | | DIST | | REVISIONS | | | |
|-----|-----|-------------|------|-----------|------|--|--|
| P | LTN | DESCRIPTION | DATE | OWN | APVD | | |
| - | - | SEE SHEET 1 | - | - | - | | |

| PART NUMBER | ROWS | POWER | | | | | | SIGNAL | | | | | |
|-------------|------------------|-------|----|----|----|----|----|--------|----|----|----|----|----|
| | | P6 | P5 | P4 | P3 | P2 | PI | 4 | 3 | 2 | 1 | | |
| 1-6450551-1 | D C B A | GS | GS | GS | GP | GS | GS | AP | AP | AP | AP | AP | AP |
| 16S + 6P | | | | | | | | AP | AP | AP | AP | AP | AP |

| PART NUMBER | ROWS | POWER | | | | | | | SIGNAL | | | | | | |
|-------------|------------------|-------|----|----|----|----|----|----|--------|----|----|----|----|----|----|
| | | P7 | P6 | P5 | P4 | P3 | P2 | PI | 6 | 5 | 4 | 3 | 2 | 1 | |
| 1-6450551-2 | D C B A | GP | GS | GS | GP | GS | GS | GS | AP | AP | AP | AP | AP | AP | AP |
| 24S + 7P | | | | | | | | | AP | AP | AP | AP | AP | AP | AP |

NO CONTACTS LOADED



| | | | | | | | | | | | | | | | |
|------------------------------------------------------------------------------------------------------------------------------------------------------------------------------------------------------------------------------------------------------------------------------|---------|-----------------------------|--------------------------------------------------------------------------|-------|------|-------|-------|-------|--------|-------|---------|--------|---|------------------------|----------|
| THIS DRAWING IS A CONTROLLED DOCUMENT. | | OWN: LESSON, L.L. 02AUG2007 | TE Connectivity | | | | | | | | | | | | |
| DIMENSIONS: INCHES | | CHK: SUNNY, ZHAO 02AUG2007 | | | | | | | | | | | | | |
| TOLERANCES UNLESS OTHERWISE SPECIFIED: | | APVD: STEVEN, YAO | NAME: VERTICAL RECEPTACLE ASSEMBLY WITH GUIDES, PRESS-FIT, MULTI-BEAM XL | | | | | | | | | | | | |
| <table border="1"> <tr> <td>0 PLC</td> <td>±</td> </tr> <tr> <td>1 PLC</td> <td>±0.1</td> </tr> <tr> <td>2 PLC</td> <td>±0.02</td> </tr> <tr> <td>3 PLC</td> <td>±0.005</td> </tr> <tr> <td>4 PLC</td> <td>±0.0005</td> </tr> <tr> <td>ANGLES</td> <td>±</td> </tr> </table> | | 0 PLC | ± | 1 PLC | ±0.1 | 2 PLC | ±0.02 | 3 PLC | ±0.005 | 4 PLC | ±0.0005 | ANGLES | ± | PRODUCT SPEC: 108-1973 | SIZE: A1 |
| 0 PLC | ± | | | | | | | | | | | | | | |
| 1 PLC | ±0.1 | | | | | | | | | | | | | | |
| 2 PLC | ±0.02 | | | | | | | | | | | | | | |
| 3 PLC | ±0.005 | | | | | | | | | | | | | | |
| 4 PLC | ±0.0005 | | | | | | | | | | | | | | |
| ANGLES | ± | | | | | | | | | | | | | | |
| MATERIAL: FINISH: | | APPLICATION SPEC: 114-13038 | CAGE CODE: 6450551 | | | | | | | | | | | | |
| | | WEIGHT: | RESTRICTED TO: H4 | | | | | | | | | | | | |
| | | CUSTOMER DRAWING | SCALE: 2:1 SHEET 8 OF 8 REV: H4 | | | | | | | | | | | | |

X-ON Electronics

Largest Supplier of Electrical and Electronic Components

Click to view similar products for [Power to the Board](#) category:

Click to view products by [TE Connectivity](#) manufacturer:

Other Similar products are found below :

[10131318-08512GRLF](#) [6450171-4](#) [6450552-7](#) [6600323-8](#) [6643429-1](#) [6646040-2](#) [6651939-1](#) [6766604-1](#) [120959-1](#) [1393557-2](#) [1393532-2](#)
[1393532-3](#) [1393532-4](#) [1393557-1](#) [1600812-5](#) [1-6450861-2](#) [1645595-1](#) [1743490-1](#) [1744132-7](#) [1761122-1](#) [1766169-1](#) [1766250-1](#) [18362](#)
[1892109-1](#) [1-967627-6](#) [2226808-1](#) [2-6450860-5](#) [2-6450860-6](#) [2-6450870-0](#) [93003-0502](#) [953552-1](#) [1-6450161-4](#) [1-6450850-6](#) [1645526-2](#) [1-](#)
[6600130-0](#) [1743419-1](#) [1766150-1](#) [2005243-2](#) [211110-1](#) [2-6600130-2](#) [TE34-12-16P-F0](#) [51700-10201602AALF](#) [5-6450830-6](#) [5646956-4](#)
[36662-0005](#) [40585-3000](#) [4-6450830-9](#) [4-6600333-3](#) [51142-0214](#) [10125416-4050LF](#)