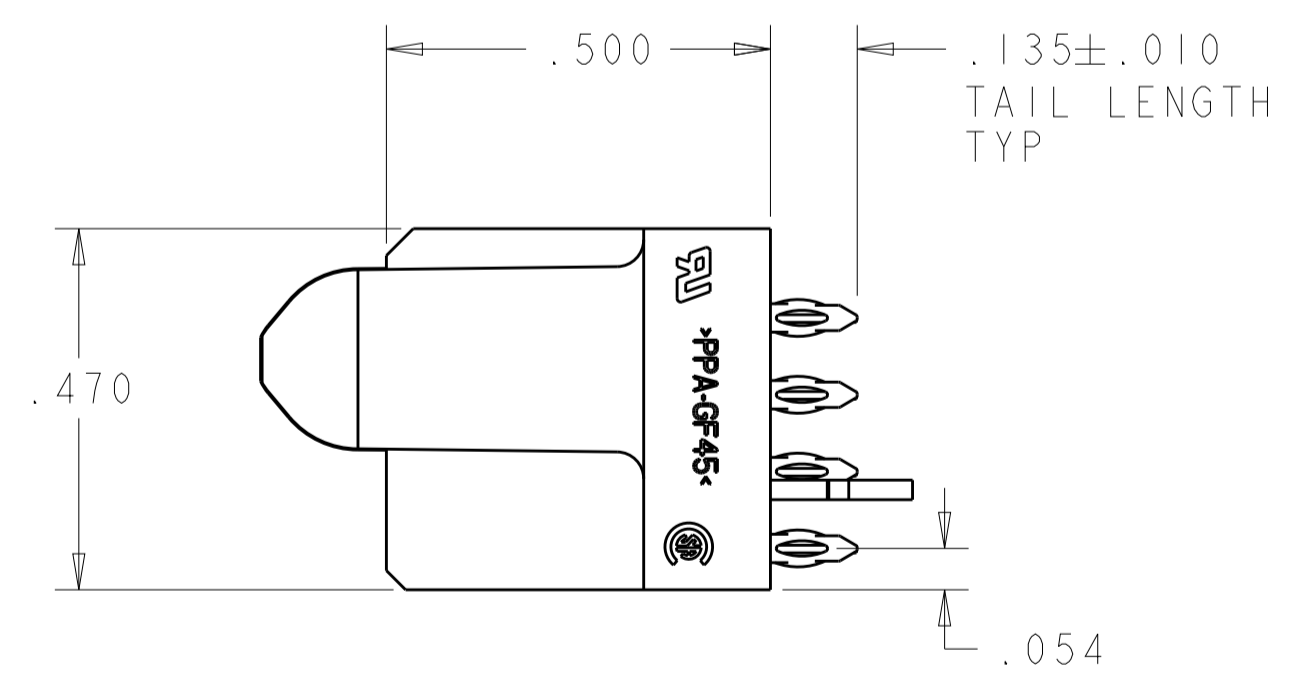
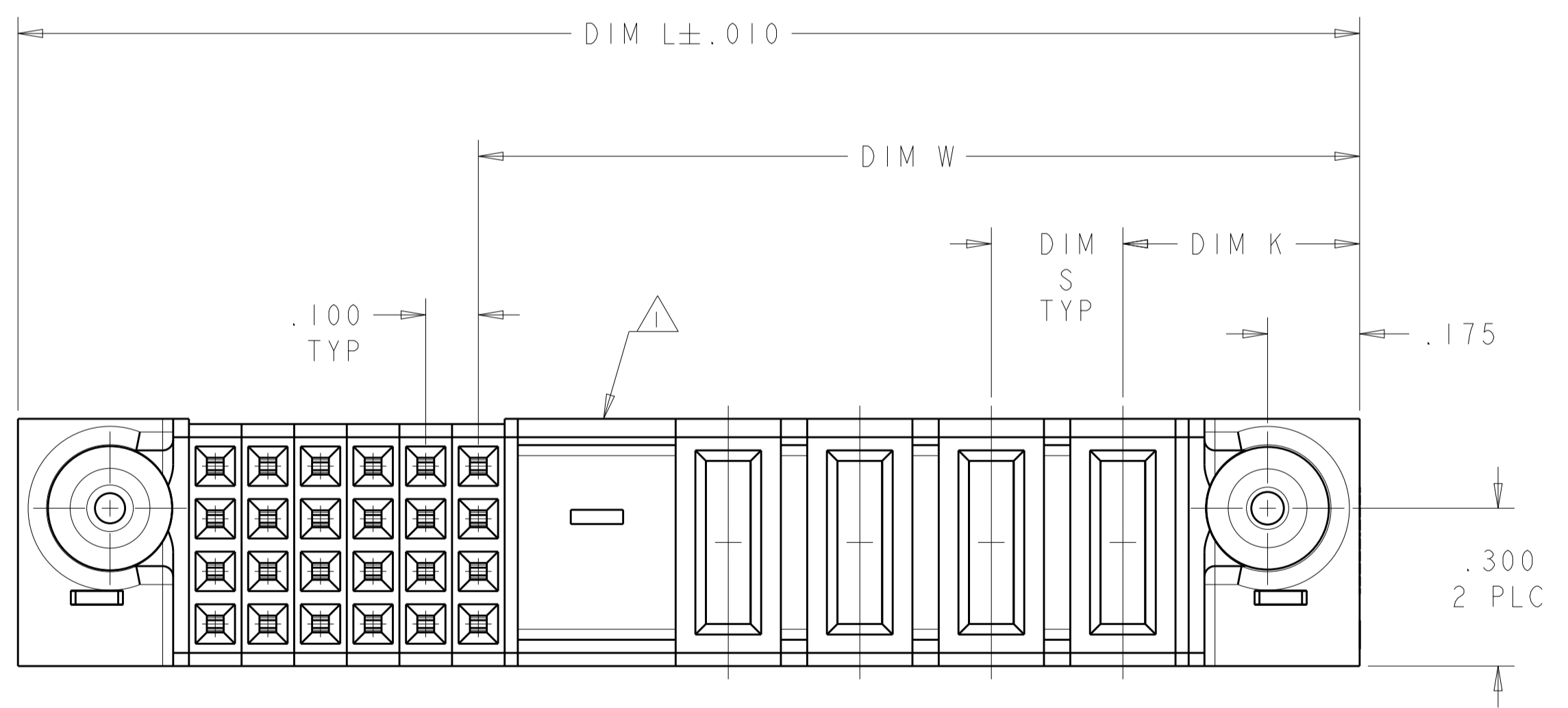
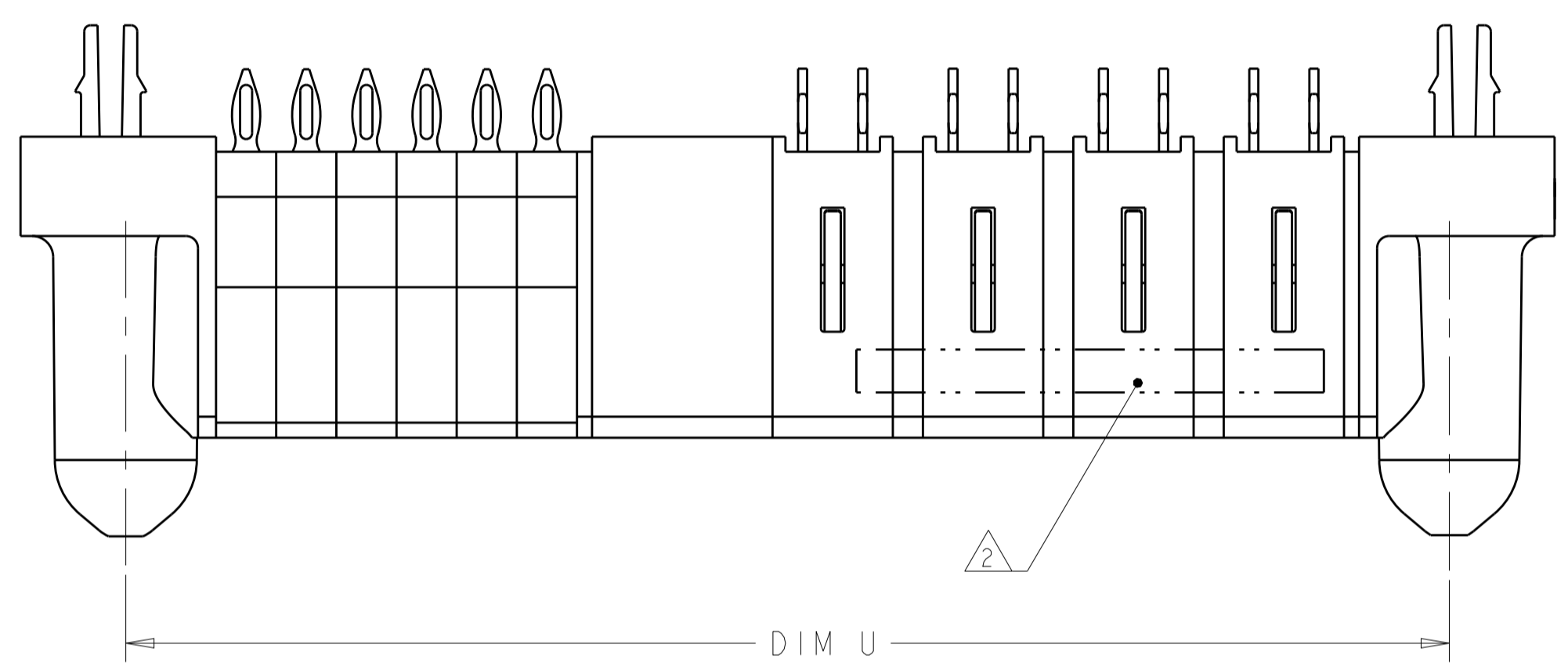
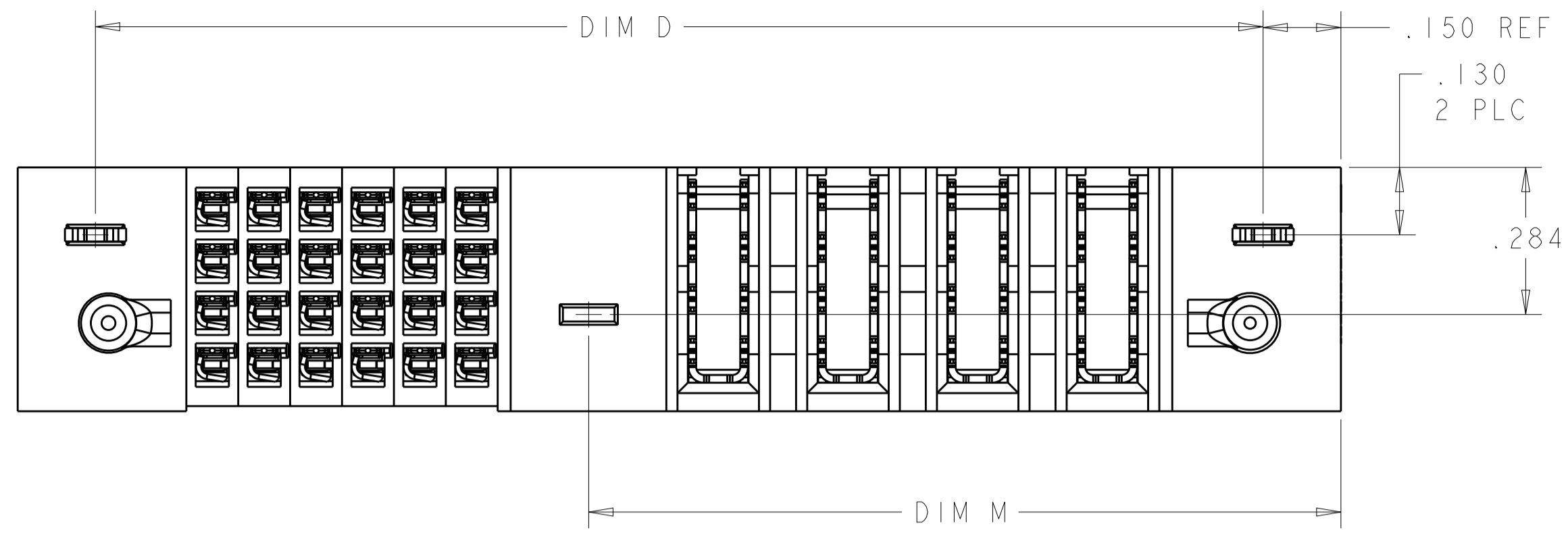


LOC	DIST	REVISIONS					
		P	LTN	DESCRIPTION	DATE	DWN	APVD
ES	00	F2		REV PER ECR-11-021537	24OCT2011	CZ	SZ
		F3		ADDED THE DASH NUMBER -2	19JAN2012	ML	SZ
		F4		ADVISED	19MAR2013	ML	SZ




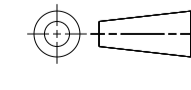
- 1 OPTIONAL CENTER MODULE, WITH Ø.150 THRU HOLE OR HOLD DOWN FEATURE
- 2 "AMP", PART NUMBER, AND DATE CODE TO BE MARKED IN AREA SHOWN, FAR SIDE
- 3 MATERIAL: HOUSING - GLASS FILLED HIGH TEMP THERMO PLASTIC, UL94 V-0
 SIGNAL CONTACT - HIGH CONDUCTIVITY COPPER ALLOY
 POWER CONTACT - HIGH CONDUCTIVITY COPPER ALLOY
- 4 CONTACT PLATING:
 NOBLE METAL PLATED ON THE CONTACT FUNCTIONAL AREA
 OF POWER AND SIGNAL CONTACTS.
- 5 MECHANICAL CONNECTOR KEEP OUT ZONE
- 6 DATUM AND BASIC DIMENSIONS ESTABLISHED BY CUSTOMER
- 7 PCB - ALL HOLE DIAMETERS ARE FINISHED HOLE SIZES
- 8 PCB - .0453 +/- .0010 DRILLED HOLES PLATED WITH .0003 MIN Sn
 OVER .001 TO .003 PLATING TO ACHIEVE A .040 DIA HOLE
- 9 VARIABLE DIMENSIONS SHOWN ON VIEW (SHEETS 4 AND 5).
- 10 NOT RELEASE FOR PRODUCTION.

THIS DRAWING IS A CONTROLLED DOCUMENT.		DWN R. GRZYBOWSKI CHK M. PERCHERKE	24JAN05 24JAN05	TE Connectivity
DIMENSIONS: INCHES		APVD M. PERCHERKE	NAME -	
		TOLERANCES UNLESS OTHERWISE SPECIFIED: 0 PLC ±. 1 PLC ±.01 2 PLC ±.01 3 PLC ±.005 4 PLC ±.0020 ANGLES ±.7°		PRODUCT SPEC 108-1973 APPLICATION SPEC 114-13038 WEIGHT -
MATERIAL 3		FINISH 4		SIZE CAGE CODE DRAWING NO RESTRICTED TO A100779C=6450552 -
CUSTOMER DRAWING		SCALE 4:1 SHEET 1 OF 8 REV F5		

THIS DRAWING IS UNPUBLISHED. RELEASED FOR PUBLICATION 20
 © COPYRIGHT 20 BY - ALL RIGHTS RESERVED.

LOC	DIST	REVISIONS					
ES	00	P	LTN	DESCRIPTION	DATE	DWN	APVD
		-		SEE SHEET 1		-	-

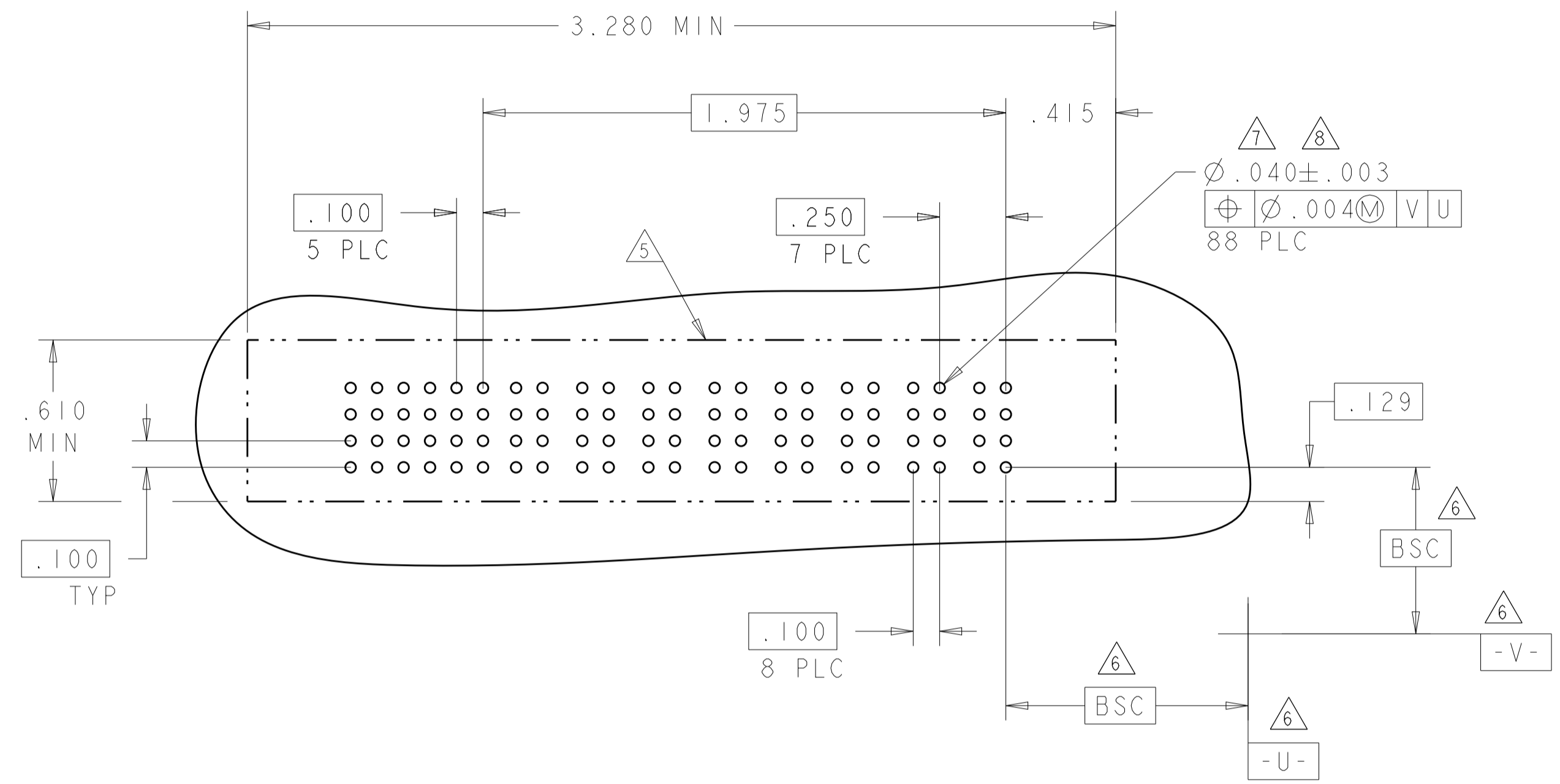
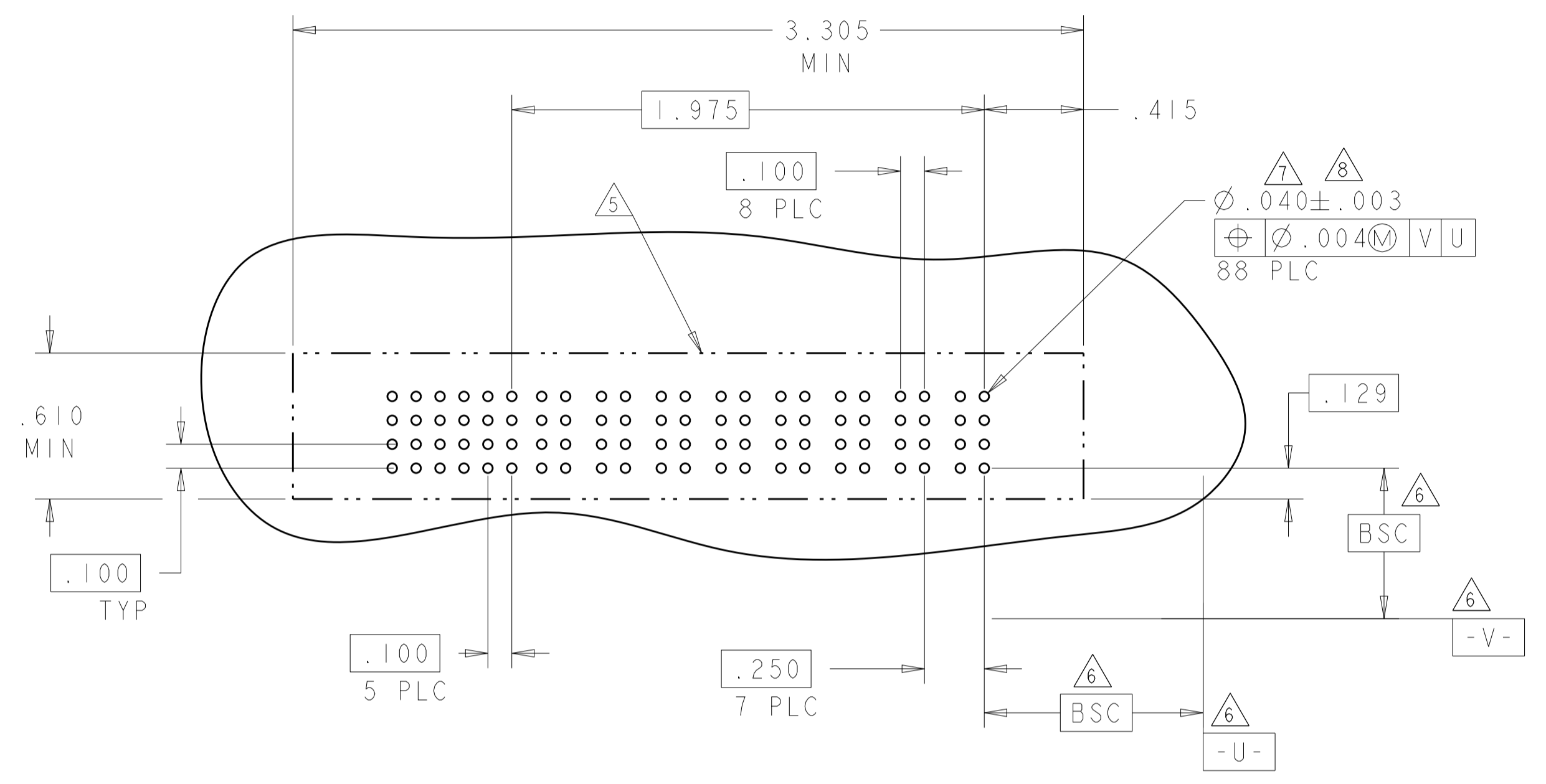
F1	NO	-	-	1.900	.250	1.375	2.250	.450	4P + 24S	2-6450552-0
F	NO	-	-	2.950	.200	2.425	3.300	.450	10HDP + 24S	1-6450552-9
F2	YES	-	1.900	1.850	.250	1.825	2.200	.450	7HDP + 4S	1-6450552-8
	NO	-	-	4.600	.250	3.875	4.950	.450	14P + 32S	1-6450552-2
	NO	-	-	5.100	-	2.375	5.450	.450	8P + 112S	1-6450552-0
	NO	-	-	3.800	-	3.175	4.150	.450	12P + 28S	6450552-9
	NO	-	-	2.275	-	1.750	2.625	.450	5P + 24S	6450552-8
	NO	-	-	2.825	-	2.300	3.175	.475	3ACP + 4P + 24S	6450552-7
	NO	-	-	2.900	.250	2.375	3.250	.450	8P + 24S	6450552-6
	NO	-	-	3.225	-	2.675	3.575	.525	3ACP + 6P + 24S	6450552-5
	NO	-	-	2.900	.250	2.375	3.250	.450	8P + 24S	6450552-4
	NO	-	3.150	3.100	.250	.875	3.450	.450	2P + 92S	6450552-2
	NO	-	-	2.925	.250	2.375	3.275	.450	8P + 24S	6450552-1
	RETENTION CLIP	M	D	U	S	W	L	K	DESCRIPTION	PART NUMBER

THIS DRAWING IS A CONTROLLED DOCUMENT.		DWN R. GRZYBOWSKI CHK M. PERCHERKE	24JAN05 24JAN05	 TE Connectivity
DIMENSIONS: INCHES 		TOLERANCES UNLESS OTHERWISE SPECIFIED: 0 PLC ±. 1 PLC ±.01 2 PLC ±.01 3 PLC ±.005 4 PLC ±.0020 ANGLES ±.7°		
MATERIAL		WEIGHT		SIZE A100779
FINISH		CUSTOMER DRAWING		CAGE CODE 6450552
		SCALE 4:1		SHEET 2 OF 8 REV F5

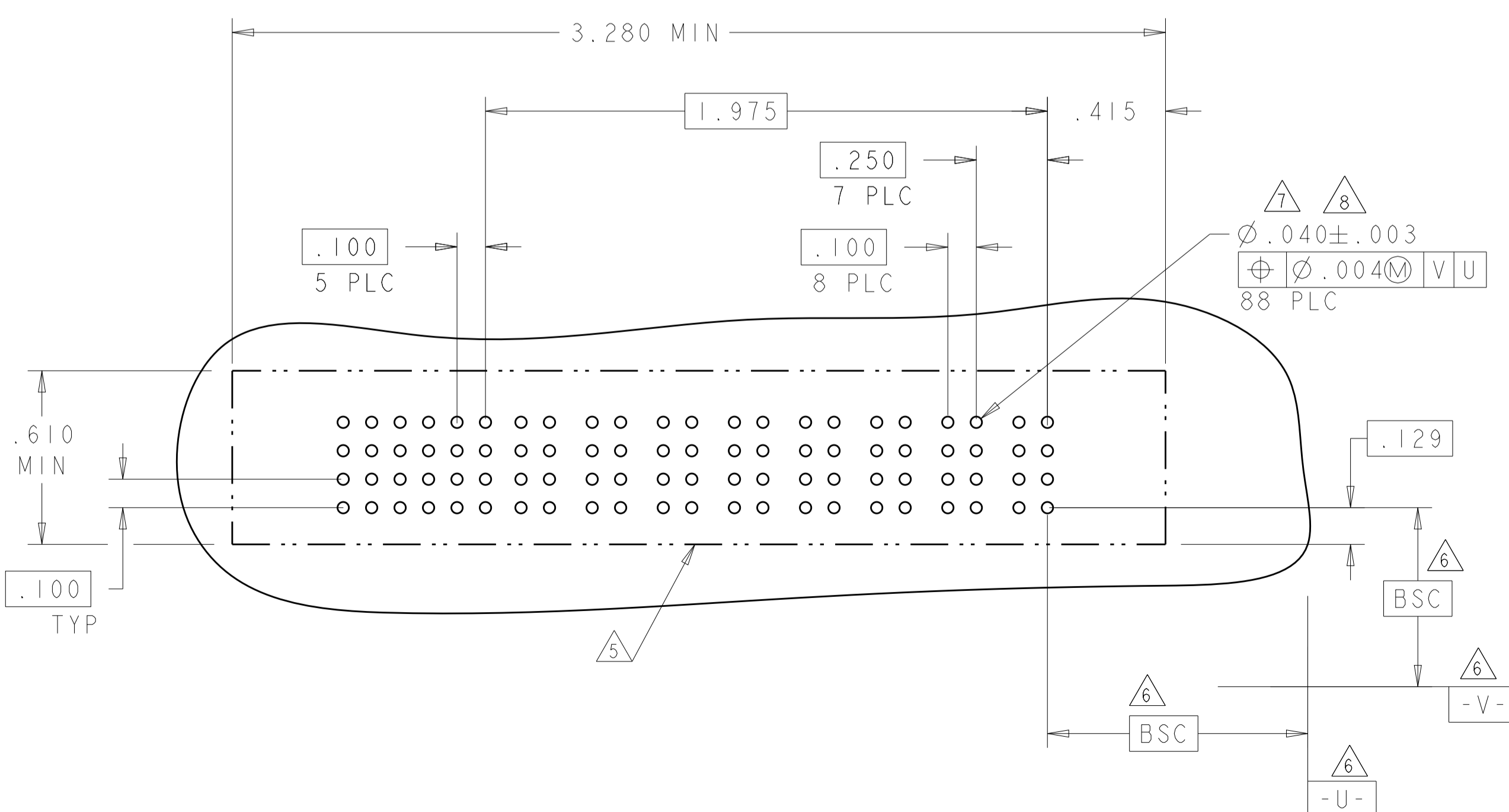
LOC		DIST		REVISIONS			
ES	00	P	LTN	DESCRIPTION	DATE	OWN	APVD
				SEE SHEET 1			

ASSY PART NUMBER	ROWS	SIGNAL								POWER							
		6	5	4	3	2	1	P8	P7	P6	P5	P4	P3	P2	P1		
6450552-1	D C B A	AP	AP	AP	AP	AP	AP										
		AP	AP	AP	AP	AP	AP	GP	GP	GP	GP	GS	GS	GS	GS		
		AP	AP	AP	AP	AP	AP										
		AP	AP	AP	AP	AP	AP										
8P + 24S																	

PART NUMBER	ROWS	SIGNAL								POWER							
		6	5	4	3	2	1	P8	P7	P6	P5	P4	P3	P2	P1		
6450552-6	D C B A	AP	AP	AP	AP	AP	AP										
		AP	AP	AP	AP	AP	AP	GS	GS	GP	GP	GP	GP	GS	GS		
		AP	AP	AP	AP	AP	AP										
		AP	AP	AP	AP	AP	AP										
8P + 24S																	



PART NUMBER	ROWS	SIGNAL								POWER							
		6	5	4	3	2	1	P8	P7	P6	P5	P4	P3	P2	P1		
6450552-4	D C B A	AP	AP	AP	AP	AP	AP										
		AP	AP	AP	AP	AP	AP	GP	GP	GP	GP	GS	GS	GS	GS		
		AP	AP	AP	AP	AP	AP										
		AP	AP	AP	AP	AP	AP										
8P + 24S																	



CODE	TAIL LENGTH	DESCRIPTION	ROW
BP	.165	SIGNAL PRESS FIT	A.B.C.D
AP	.135	SIGNAL PRESS FIT	A.B.C.D
HP	.165	POWER PRESS FIT (MFBL)	
HS	.165	POWER PRESS FIT (STD)	
GP	.135	POWER PRESS FIT (MFBL)	-
GS	.135	POWER PRESS FIT (STD)	-

CONTACT

THIS DRAWING IS A CONTROLLED DOCUMENT.

DIMENSIONS:	TOLERANCES UNLESS OTHERWISE SPECIFIED:	OWN: R. GRZYBOWSKI 24JAN05	CHK: M. PERCHERKE 24JAN05	APVD: M. PERCHERKE	NAME: M. PERCHERKE
INCHES	0 PLC ±.01 1 PLC ±.01 2 PLC ±.01 3 PLC ±.005 4 PLC ±.002 ANGLES ±.02	PRODUCT SPEC: 108-1973	APPLICATION SPEC: 114-13038	WEIGHT: -	SIZE: A1
MATERIAL: -	FINISH: -	CUSTOMER DRAWING		SCALE: 4:1	SHEET 3 OF 8

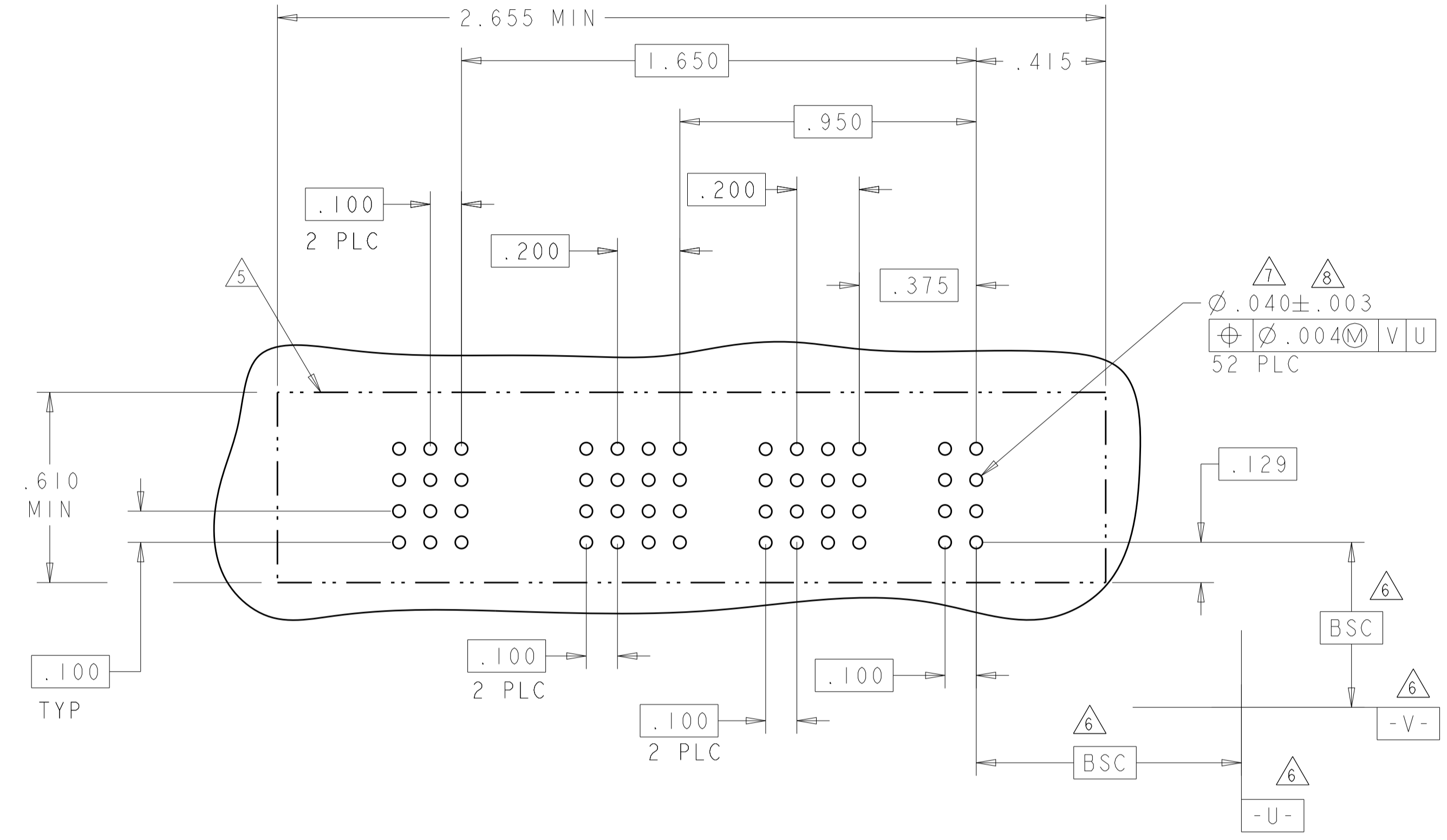
STE TE Connectivity
 VERTICAL RECEPTACLE ASSEMBLY WITH GUIDES, PRESS FIT MULTI-BEAM XL
 A100779 ©=6450552 REV F5

LOC	DIST	REV	DATE	APPV
ES	00			

REVISIONS				
REV	DATE	APPV	DESCRIPTION	BY
-	-	-	SEE SHEET 1	-

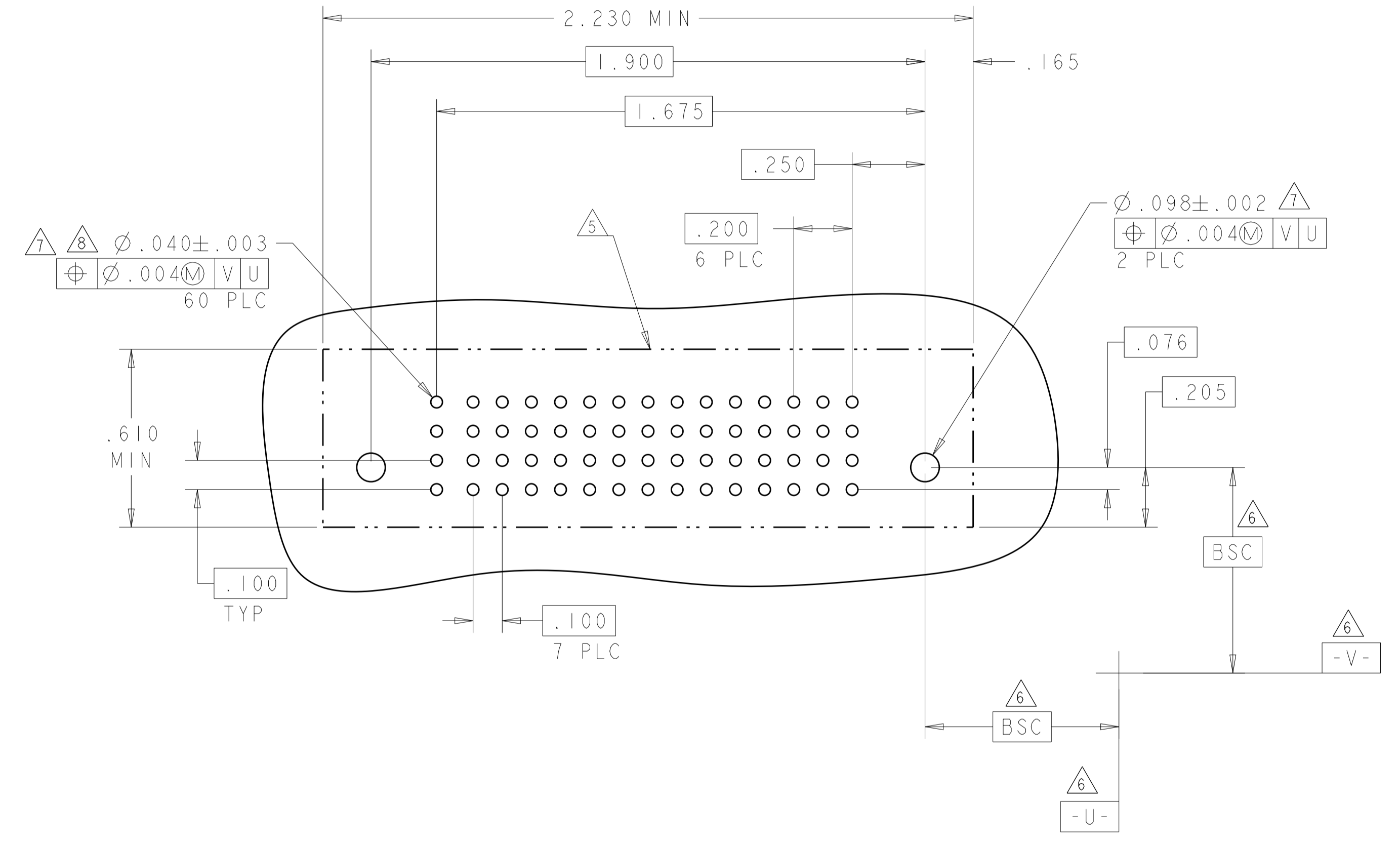
PART NUMBER	ROWS	SIGNAL						POWER				
		6	5	4	3	2	1	P5	P4	P3	P2	P1
6450552-8	D C B A	AP	AP	AP				GS	GS	GP	GP	GP
		AP	AP	AP								
		AP	AP	AP								
		AP	AP	AP								

5P + 24S
 NO CONTACTS LOADED
 .200 2 PLC
 .375 9



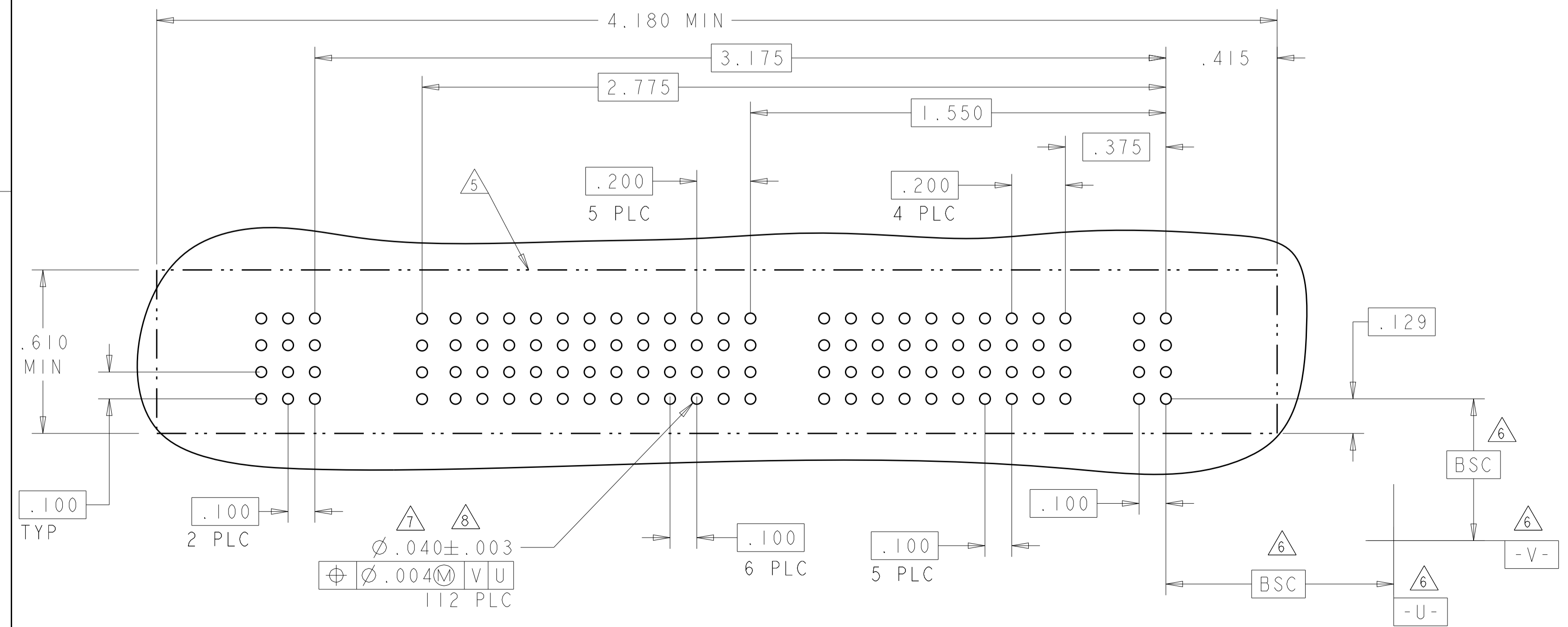
PART NUMBER	ROWS	SIGNAL						POWER				
		I	P7	P6	P5	P4	P3	P2	P1			
I-6450552-8	D C B A	AP	GP	GP	GS	GS	GS	GP	GP			
		AP										
		AP										
		AP										

7HDP + 4S



PART NUMBER	ROWS	SIGNAL							POWER											
		7	6	5	4	3	2	1	PI2	PI1	PI0	P9	P8	P7	P6	P5	P4	P3	P2	P1
6450552-9	D C B A	AP	AP	AP				AP	GP	GS	GS	GS	GS	GS	GP	GP	GP	GP	GP	GP
		AP	AP	AP				AP												
		AP	AP	AP				AP												
		AP	AP	AP				AP												

12P + 28S
 NO CONTACTS LOADED
 .200 9 PLC
 .375 9



THIS DRAWING IS A CONTROLLED DOCUMENT. DWN: R. GRZYBOWSKI 24JAN05
 CHK: M. PERCHERKE 24JAN05
 APVD: M. PERCHERKE

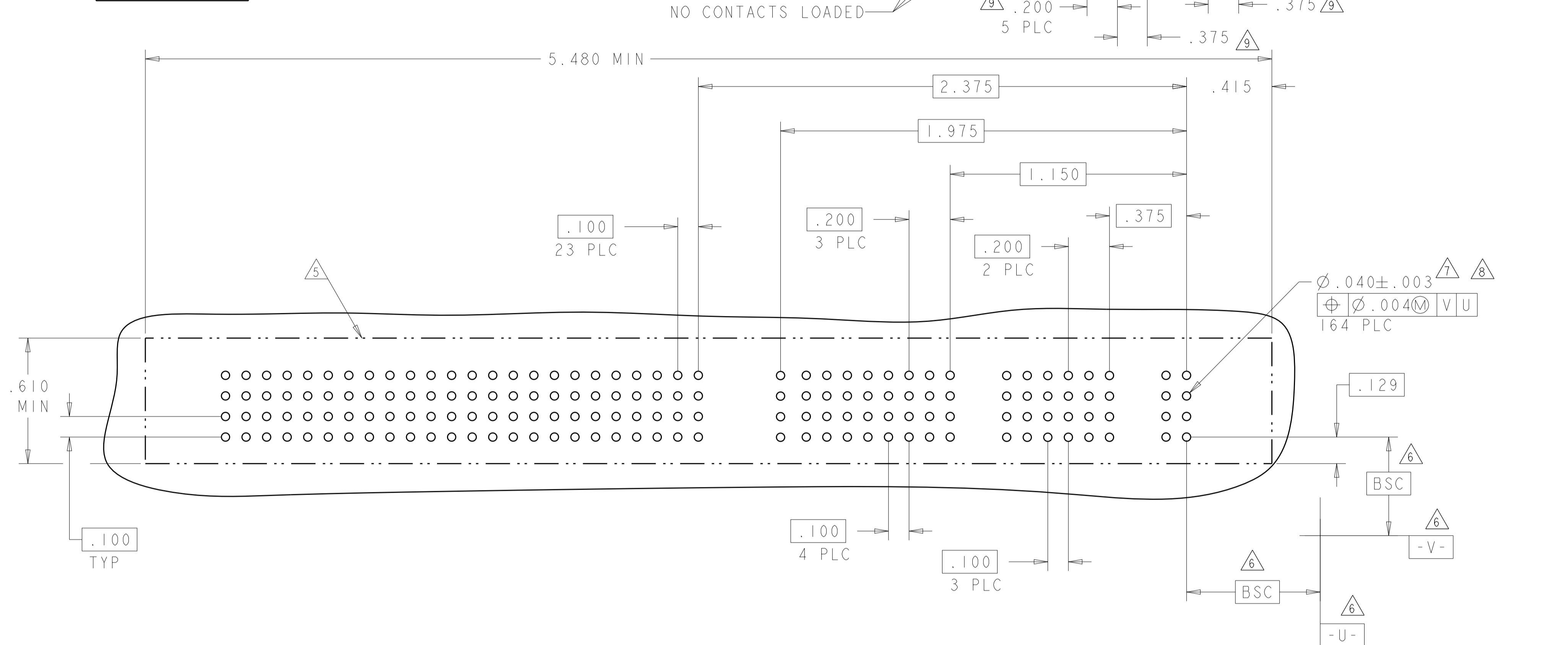
TE Connectivity

VERTICAL RECEPTACLE ASSEMBLY WITH GUIDES, PRESS FIT MULTI-BEAM XL

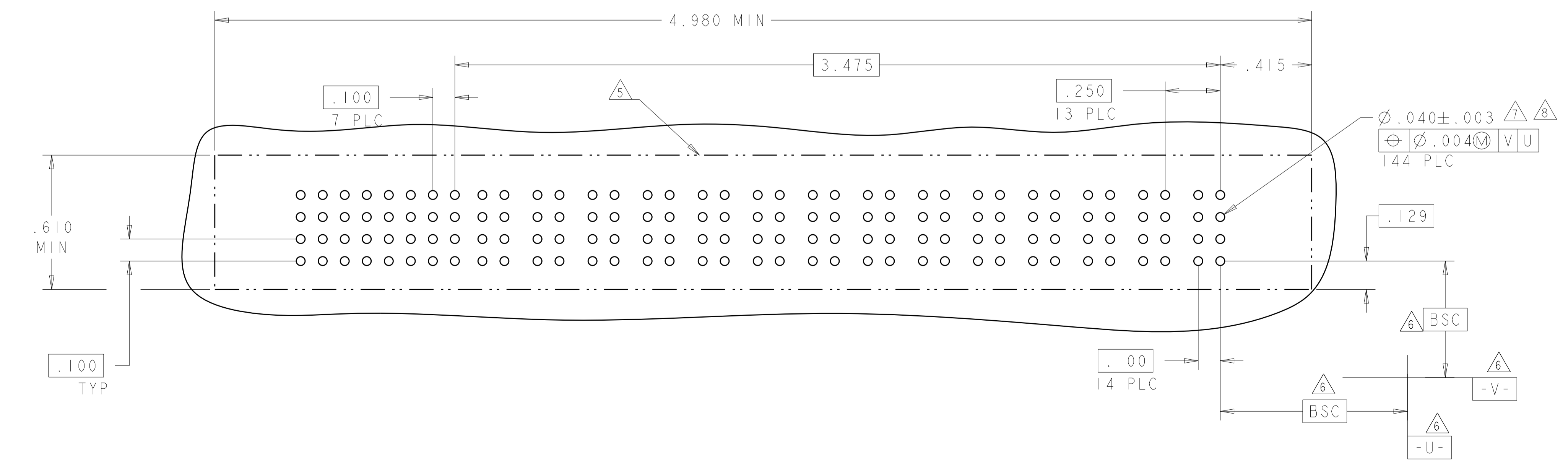
SCALE 4:1 SHEET 4 OF 8 REV F5

LOC	DIST	REVISIONS			
		REV	DATE	BY	APPV
ES	00	-	-	-	-
		SEE SHEET 1			

PART NUMBER	ROWS	SIGNAL																	POWER																
		28	27	26	25	24	23	22	21	20	19	18	17	16	15	14	13	12	11	10	9	8	7	6	5	4	3	2	1	P8	P7	P6	P5	P4	P3
1-6450552-0	D C B A	AP																																	
		AP																																	
		AP																																	
		AP																																	
8P + 112S																			GP	GS	GS	GS	GP	GP	GP	GP									



PART NUMBER	ROWS	SIGNAL								POWER													
		8	7	6	5	4	3	2	1	PI4	PI3	PI2	PI1	PI0	P9	P8	P7	P6	P5	P4	P3	P2	P1
1-6450552-2	D C B A	AP								AP													
		AP								AP													
		AP								AP													
		AP								AP													
14P + 32S										GS	GP	GS	GP	GS	GP	GS	GP	GS	GP	GS	GP	GS	GP

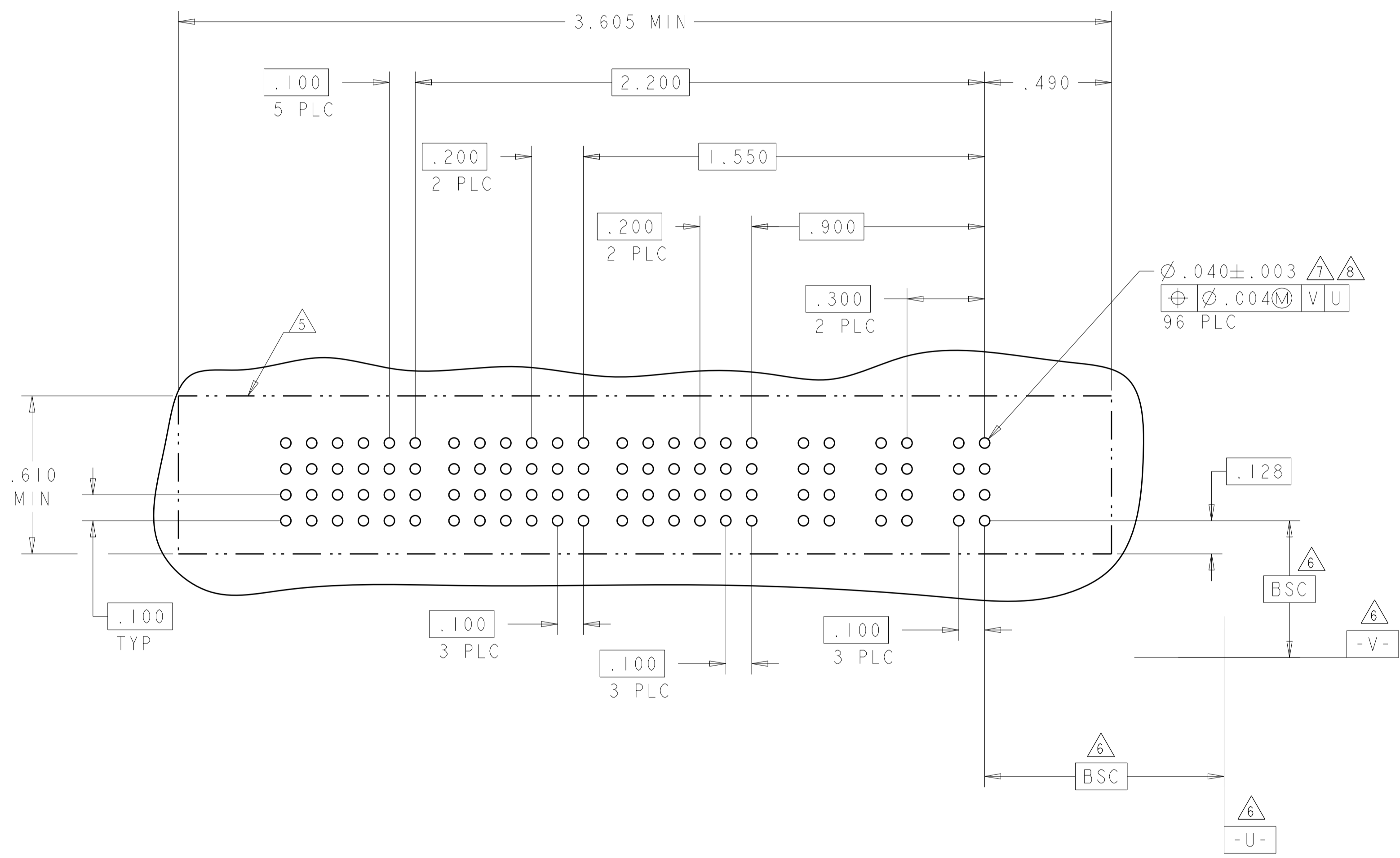
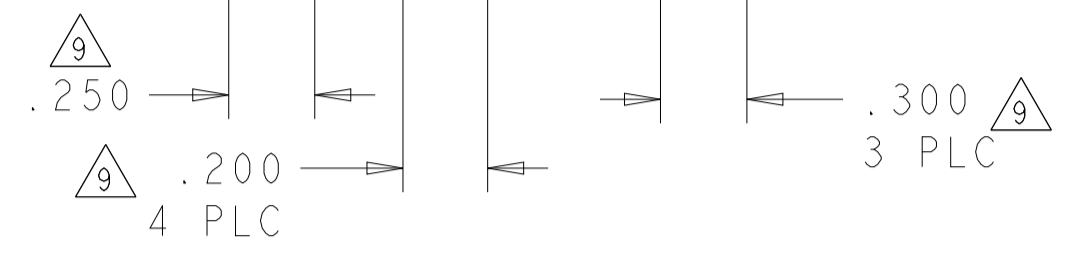


THIS DRAWING IS A CONTROLLED DOCUMENT.

DIMENSIONS: INCHES	TOLERANCES UNLESS OTHERWISE SPECIFIED:	DWN R. GRZYBOWSKI	24JAN05	 TE Connectivity				
		0 PLC ±.	CHK M. PERCHERKE		24JAN05			
		1 PLC ±.01	APVD		-	NAME		
		2 PLC ±.01	VERTICAL RECEPTACLE ASSEMBLY WITH GUIDES, PRESS FIT MULTI-BEAM XL					
3 PLC ±.005	APPLICATION SPEC	108-1973	SIZE	CAGE CODE	DRAWING NO	RESTRICTED TO		
4 PLC ±.0020	ANGLES	114-13038	SCALE	4:1	SHEET	5 OF 8	REV	F5
MATERIAL	FINISH	WEIGHT	CUSTOMER DRAWING		A100779C=6450552			

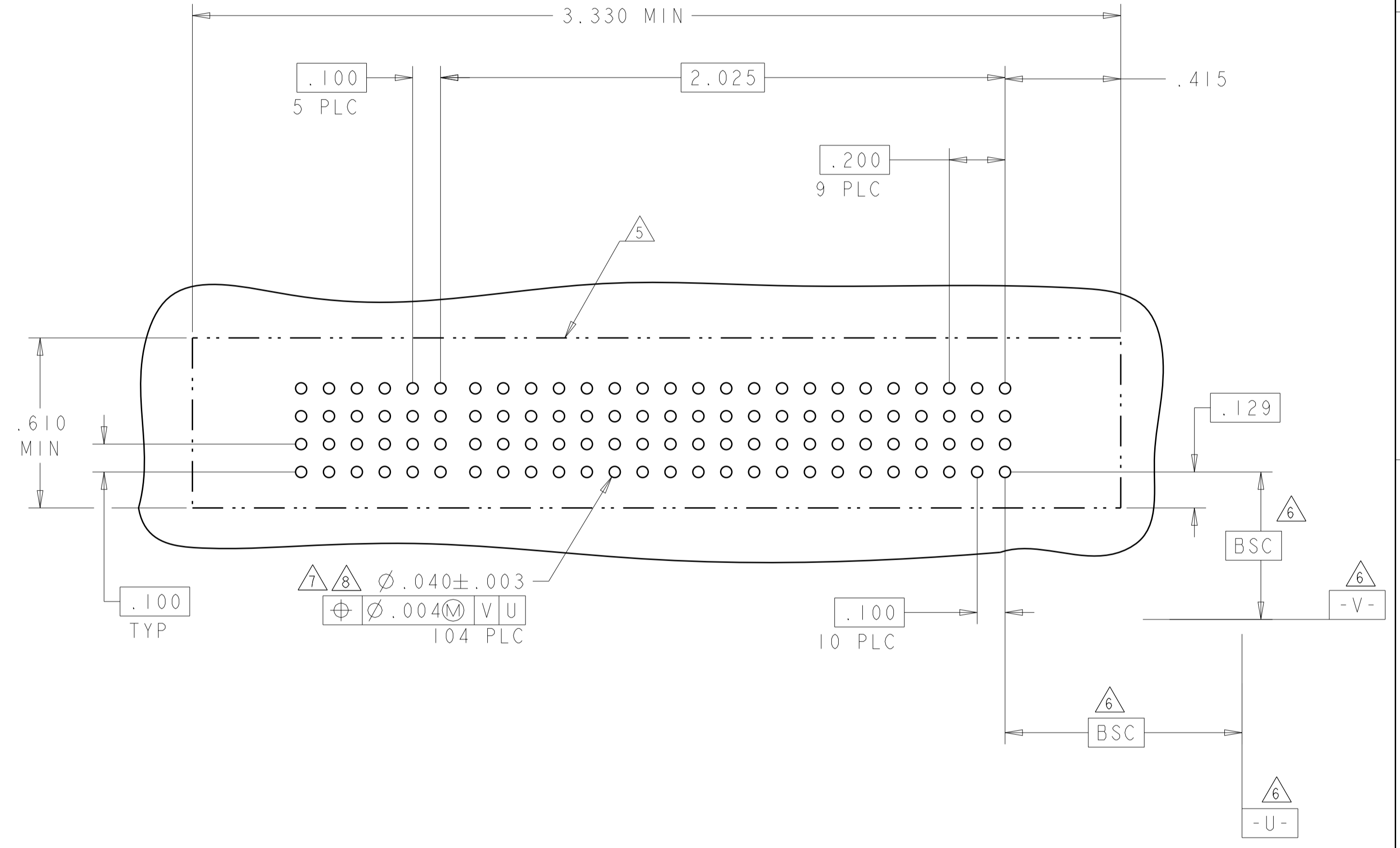
LOC	DIST	REV	DATE	BY	APPV
ES	00				
REVISIONS					
DESCRIPTION					
SEE SHEET 1					

PART NUMBER	ROWS	SIGNAL								POWER							
		6	5	4	3	2	1	P9	P8	P7	P6	P5	P4	P3	P2	P1	
6450552-5	D C B A	B	B	B	B	B	B	B	B	HS	HS	HS	HS	HS	HP	HS	HS
		B	B	B	B	B	B	B	B	HS	HS	HS	HS	HS	HP	HS	HS
		B	B	B	B	B	B	B	B	HS	HS	HS	HS	HS	HP	HS	HS
3ACP + 6P + 24S																	



PART NUMBER	ROWS	SIGNAL								POWER								
		6	5	4	3	2	1	P10	P9	P8	P7	P6	P5	P4	P3	P2	P1	
1-6450552-9	D C B A	A	A	A	A	A	A	A	A	GS	GS	GS	GP	GP	GP	GP	GS	GS
		A	A	A	A	A	A	A	A	GS	GS	GS	GP	GP	GP	GP	GS	GS
		A	A	A	A	A	A	A	A	GS	GS	GS	GP	GP	GP	GP	GS	GS
10HDP + 24S																		

(F)

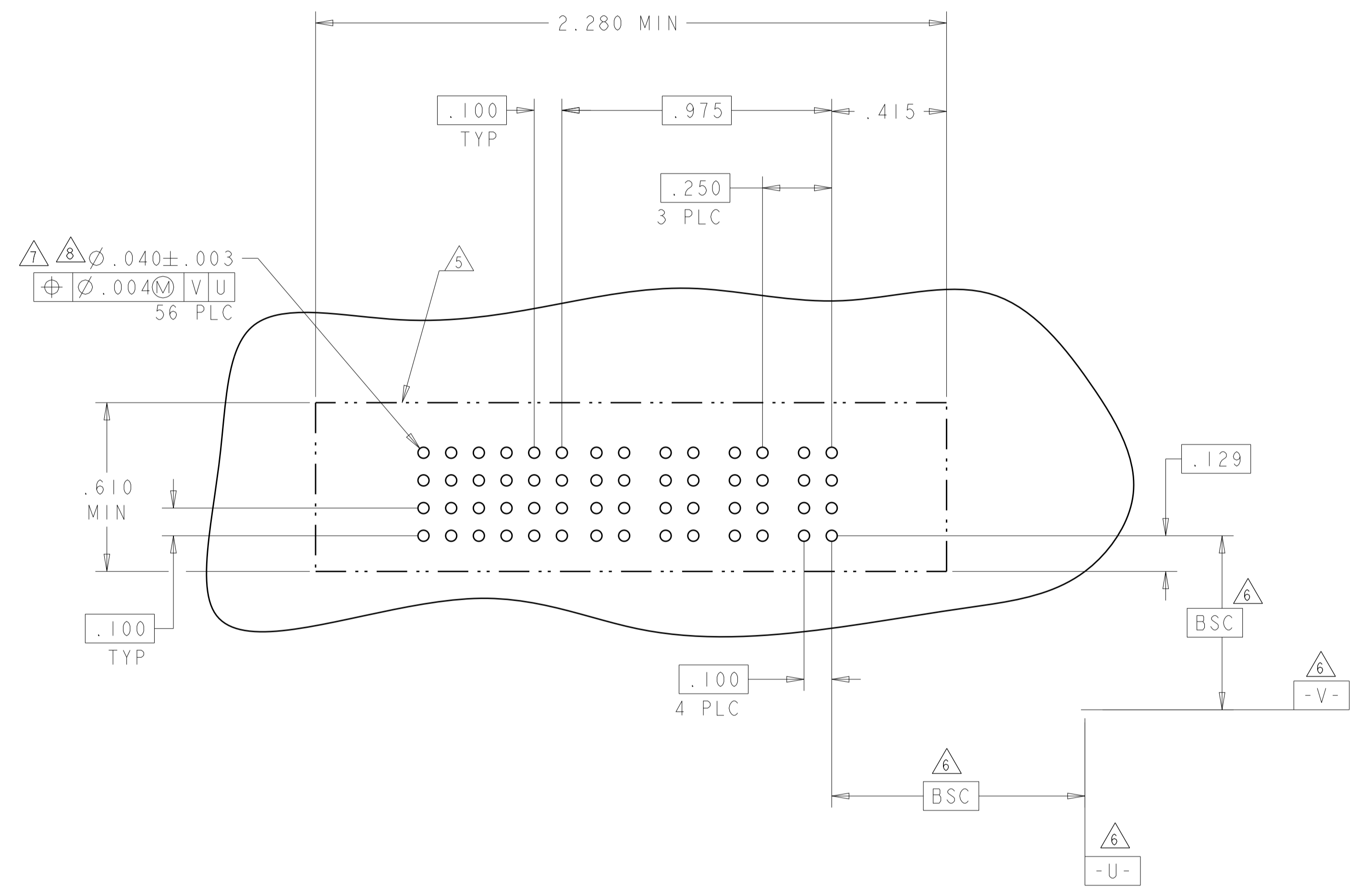


THIS DRAWING IS A CONTROLLED DOCUMENT.		OWN: R. GRZYBOWSKI 24JAN05	TE Connectivity
DIMENSIONS: INCHES		CHK: M. PERCHERKE 24JAN05	
TOLERANCES UNLESS OTHERWISE SPECIFIED:		APVD: M. PERCHERKE	NAME: VERTICAL RECEPTACLE ASSEMBLY WITH GUIDES, PRESS FIT MULTI-BEAM XL
0 PLC ± 1 PLC ±.01 2 PLC ±.01 3 PLC ±.005 4 PLC ±.0020 ANGLES ±.2°		PRODUCT SPEC: 108-1973	SIZE: A100779
MATERIAL: -		APPLICATION SPEC: 114-13038	DRAWING NO: C=6450552
FINISH: -		WEIGHT: -	RESTRICTED TO: -
CUSTOMER DRAWING		SCALE: 4:1	SHEET 6 OF 8 REV: F5

LOC		DIST		REVISIONS			
ES	00	P	LTN	DESCRIPTION	DATE	DMN	APVD
-	-	-	-	SEE SHEET 1	-	-	-

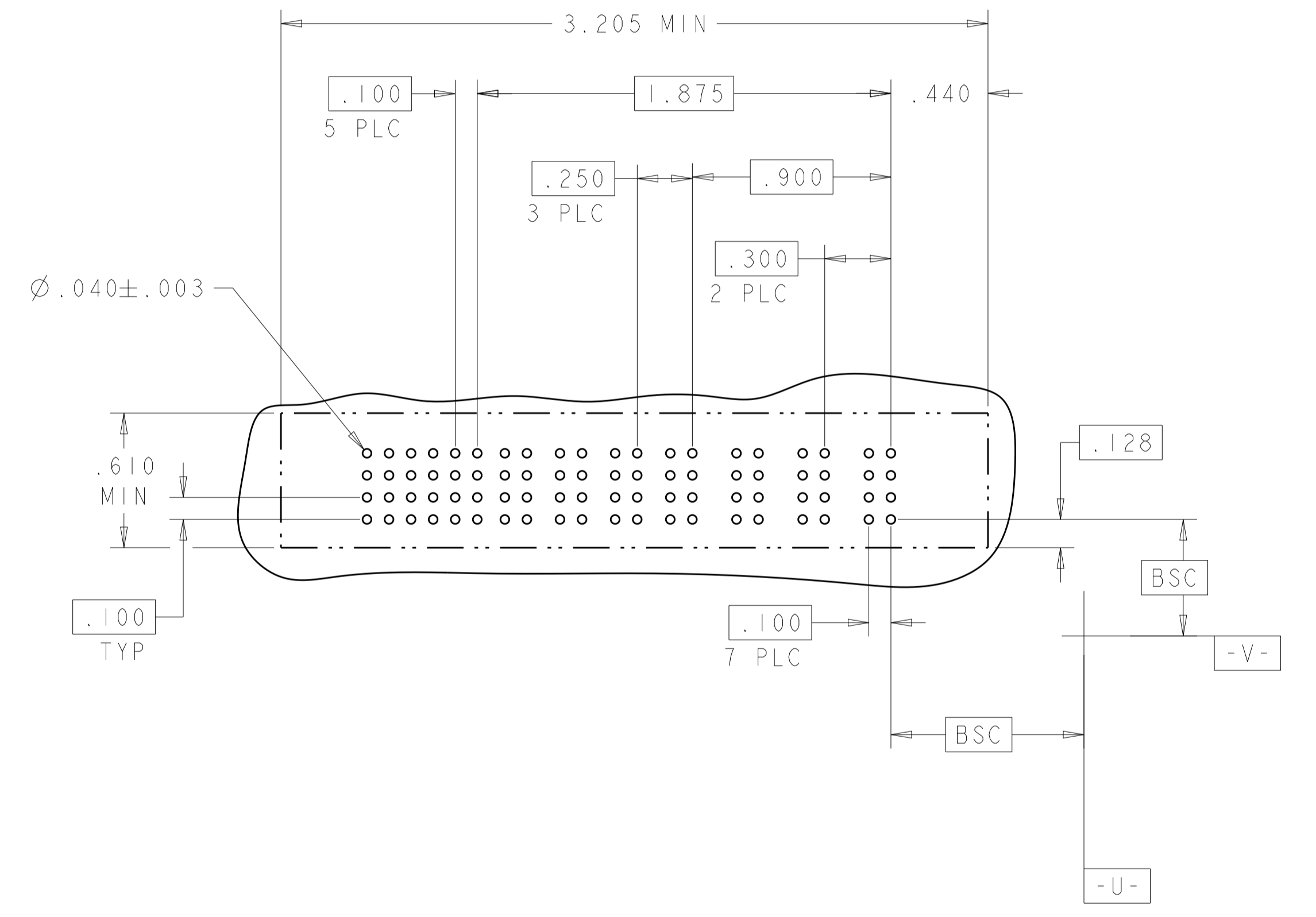
ASSY PART NUMBER	ROWS	SIGNAL						POWER			
		6	5	4	3	2	1	P4	P3	P2	P1
2-6450552-0	D C B A	AP	AP	AP	AP	AP	AP	GS	GS	GS	GS
		AP	AP	AP	AP	AP	AP	GS	GS	GS	GS
		AP	AP	AP	AP	AP	AP	GS	GS	GS	GS
		AP	AP	AP	AP	AP	AP	GS	GS	GS	GS
4P + 24S											

PART NUMBER	ROWS	SIGNAL						POWER						
		6	5	4	3	2	1	P7	P6	P5	P4	P3	P2	P1
6450552-7	D C B A	AP	AP	AP	AP	AP	AP	GS	GS	GS	GS	GP	GS	GS
		AP	AP	AP	AP	AP	AP	GS	GS	GS	GS	GP	GS	GS
		AP	AP	AP	AP	AP	AP	GS	GS	GS	GS	GP	GS	GS
		AP	AP	AP	AP	AP	AP	GS	GS	GS	GS	GP	GS	GS
3ACP + 4P + 24S														



F2

9 .250 3 PLC
 .300 3 PLC

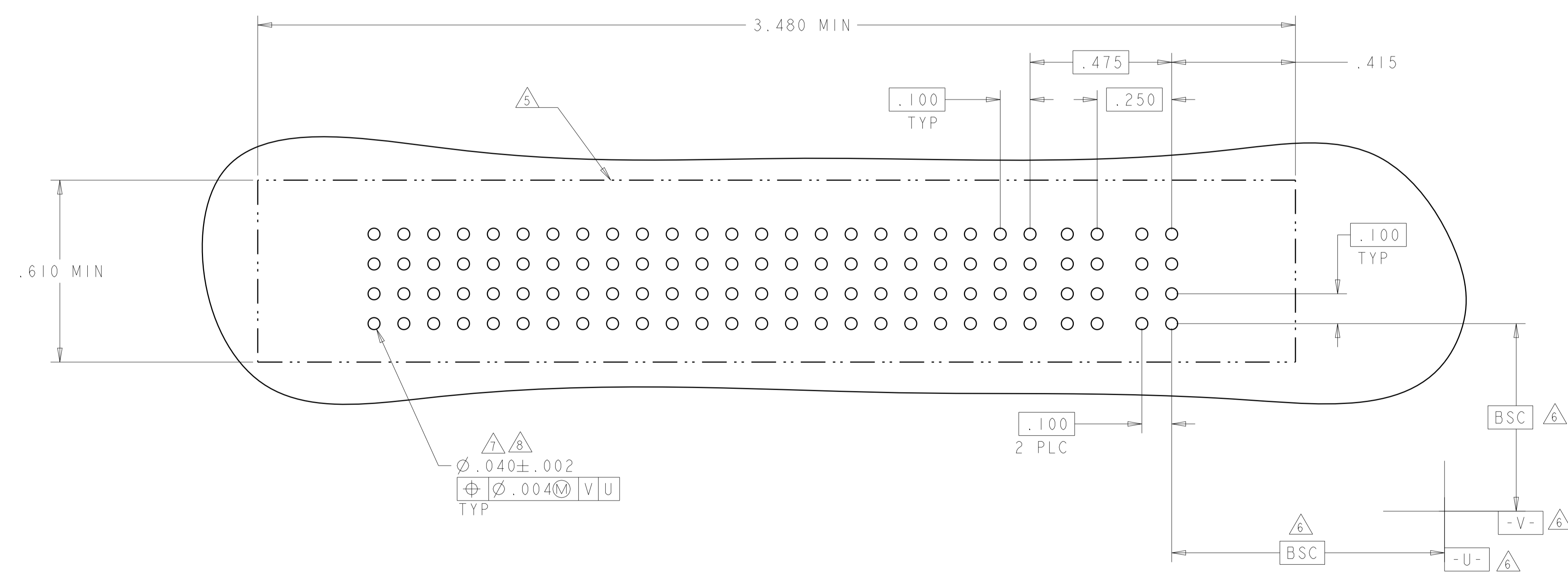


THIS DRAWING IS A CONTROLLED DOCUMENT.		DMN: B. GRZYBOWSKI 24JAN05		TE Connectivity
DIMENSIONS: INCHES		CHK: M. PERCHERKE 24JAN05		VERTICAL RECEPTACLE ASSEMBLY WITH GUIDES, PRESS FIT MULTI-BEAM XL
TOLERANCES UNLESS OTHERWISE SPECIFIED:		APVD: M. PERCHERKE	RESTRICTED TO	
0 PLC ±.01		PRODUCT SPEC: 108-1973	SIZE: A100779 C=6450552	
1 PLC ±.01		APPLICATION SPEC: 114-13038	SCALE: 4:1 SHEET 7 OF 8 REV: F5	
2 PLC ±.01		WEIGHT: -	CUSTOMER DRAWING	
3 PLC ±.005		FINISH: -		
4 PLC ±.0020				
ANGLES: ±.7°				

LOC	DIST	REVISIONS					
		P	LTN	DESCRIPTION	DATE	DMN	APVD
ES	00	-	-	SEE SHEET 1	-	-	-

PART NUMBER	ROWS	SIGNAL																			POWER							
		23	22	21	20	19	18	17	16	15	14	13	12	11	10	9	8	7	6	5	4	3	2	1	P2	P1		
6450552-2	D C B A	AP	AP	AP	AP	AP	AP	AP	AP	AP	AP	AP	AP	AP	AP	AP	AP	AP	AP	AP	AP	AP	AP	AP	AP	GP	GS	
		AP	AP	AP	AP	AP	AP	AP	AP	AP	AP	AP	AP	AP	AP	AP	AP	AP	AP	AP	AP	AP	AP	AP	AP	GP	GS	
		AP	AP	AP	AP	AP	AP	AP	AP	AP	AP	AP	AP	AP	AP	AP	AP	AP	AP	AP	AP	AP	AP	AP	AP	GP	GS	
		AP	AP	AP	AP	AP	AP	AP	AP	AP	AP	AP	AP	AP	AP	AP	AP	AP	AP	AP	AP	AP	AP	AP	AP	GP	GS	
2P + 92S																												

F3



THIS DRAWING IS A CONTROLLED DOCUMENT.		DMN: R. GRZYBOWSKI 24JAN05	TE Connectivity
DIMENSIONS: INCHES		CHK: M. PERCHERKE 24JAN05	
TOLERANCES UNLESS OTHERWISE SPECIFIED: 0 PLC ±. 1 PLC ±.01 2 PLC ±.01 3 PLC ±.005 4 PLC ±.0020 ANGLES ±.2°		APVD: M. PERCHERKE	NAME: VERTICAL RECEPTACLE ASSEMBLY WITH GUIDES, PRESS FIT MULTI-BEAM XL
MATERIAL: -		PRODUCT SPEC: 108-1973	SIZE: A1
FINISH: -		APPLICATION SPEC: 114-13038	CAGE CODE: C=6450552
		WEIGHT: -	RESTRICTED TO: -
		CUSTOMER DRAWING	SCALE: 4:1 SHEET: 8 OF 8 REV: F5

X-ON Electronics

Largest Supplier of Electrical and Electronic Components

Click to view similar products for [Power to the Board](#) category:

Click to view products by [TE Connectivity](#) manufacturer:

Other Similar products are found below :

[10131318-08512GRLF](#) [6450171-4](#) [6450552-7](#) [6600323-8](#) [6643429-1](#) [6646040-2](#) [6651939-1](#) [6766604-1](#) [120959-1](#) [1393557-2](#) [1393532-2](#)
[1393532-3](#) [1393532-4](#) [1393557-1](#) [1600812-5](#) [1-6450861-2](#) [1645595-1](#) [1743490-1](#) [1744132-7](#) [1761122-1](#) [1766169-1](#) [1766250-1](#) [18362](#)
[1892109-1](#) [1-967627-6](#) [2226808-1](#) [2-6450860-5](#) [2-6450860-6](#) [2-6450870-0](#) [93003-0502](#) [953552-1](#) [1-6450161-4](#) [1-6450850-6](#) [1645526-2](#) [1-](#)
[6600130-0](#) [1743419-1](#) [1766150-1](#) [2005243-2](#) [211110-1](#) [2-6600130-2](#) [TE34-12-16P-F0](#) [51700-10201602AALF](#) [5-6450830-6](#) [5646956-4](#)
[36662-0005](#) [40585-3000](#) [4-6450830-9](#) [4-6600333-3](#) [51142-0214](#) [10125416-4050LF](#)