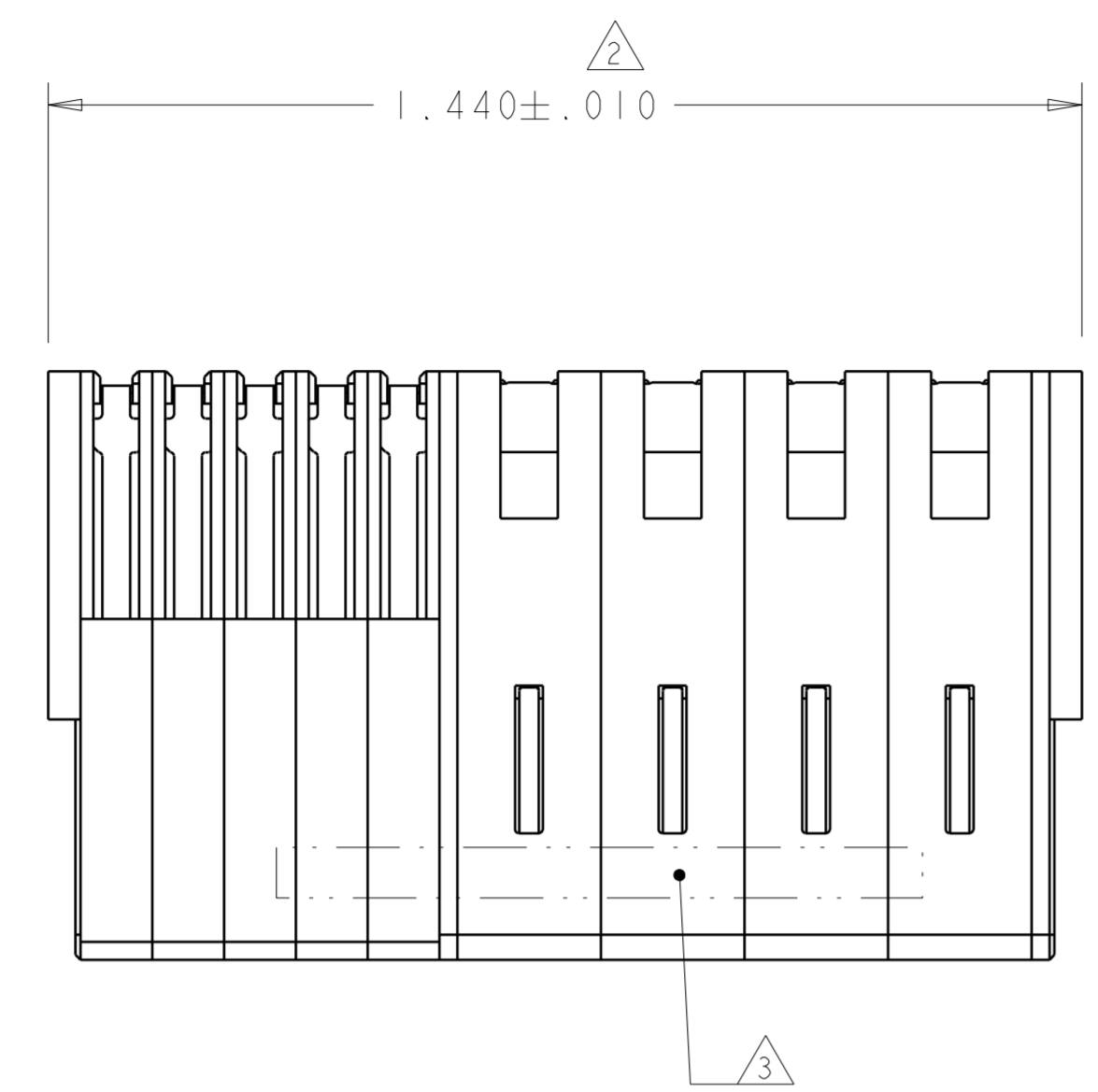
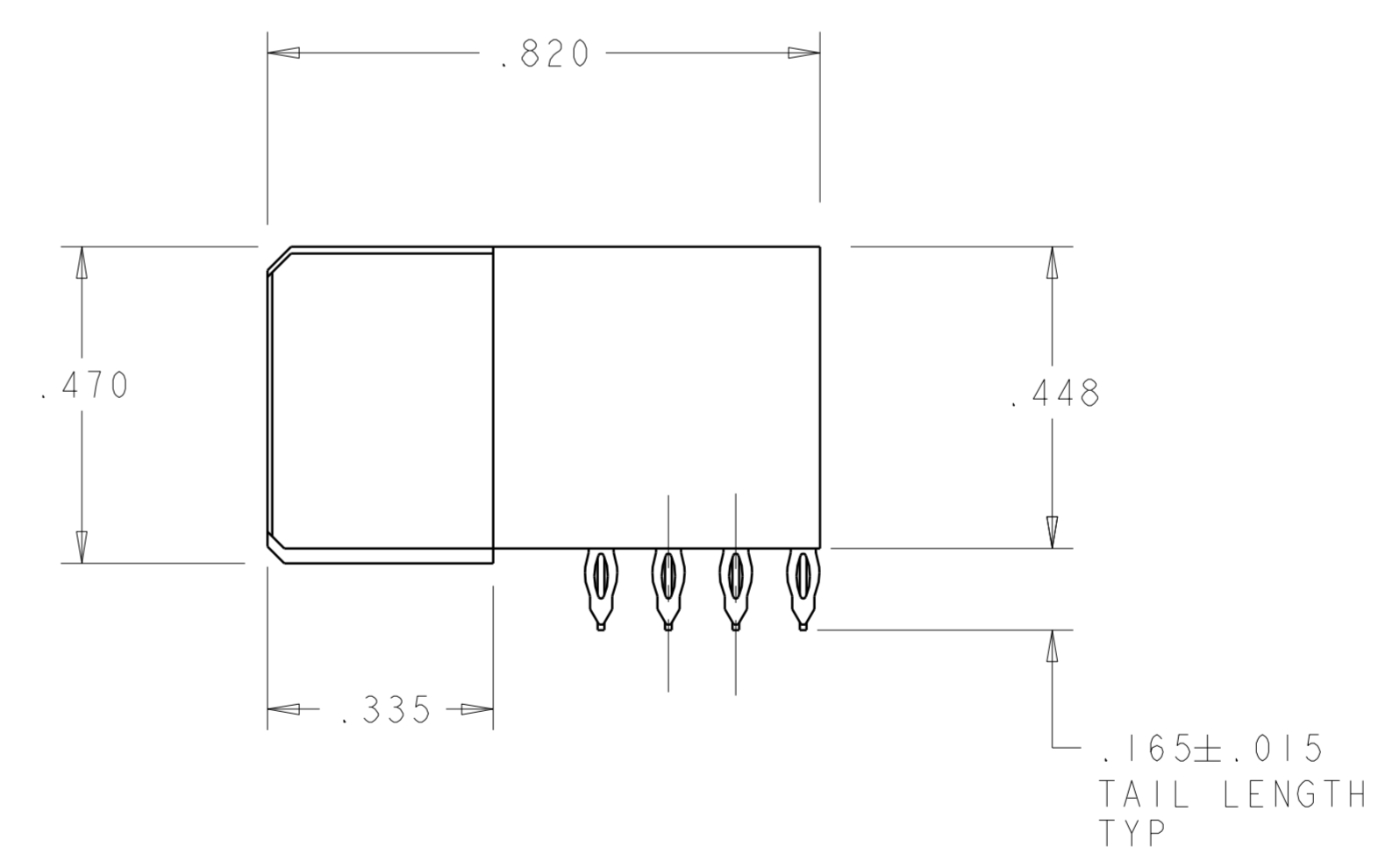
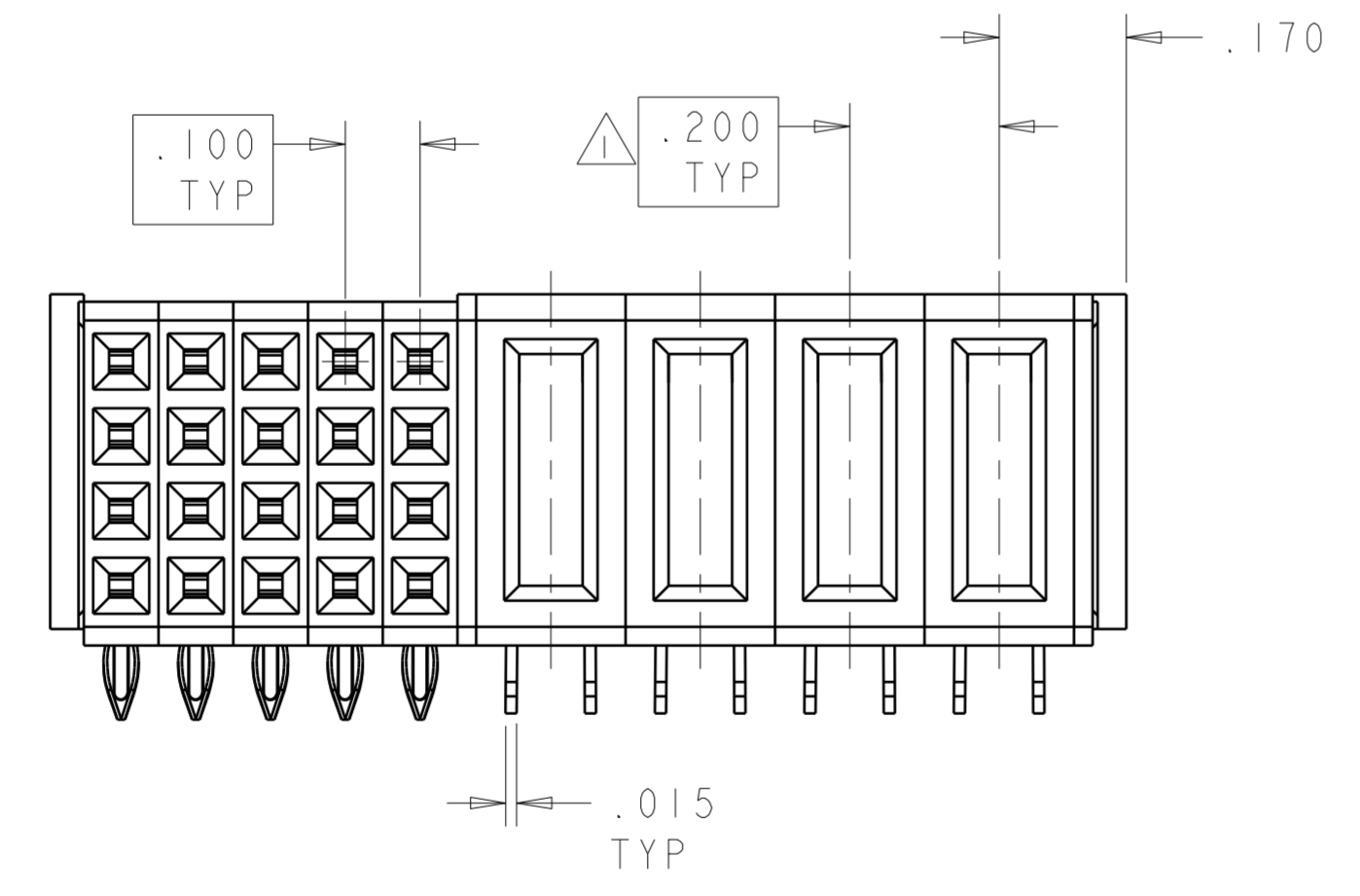


THIS DRAWING IS UNPUBLISHED. RELEASED FOR PUBLICATION 20
 © COPYRIGHT 20 BY TYCO ELECTRONICS CORPORATION. ALL RIGHTS RESERVED.

LOC	DIST	REVISIONS					
ES	00	P	LTR	DESCRIPTION	DATE	DWN	APVD
		B		REV PER ECO-05-015972	12DEC2005	SZ	SY



- △ DIM IS CENTERLINE SPACING OF POWER MODULES ON RIGHT SIDE OF HOUSING.
- △ THE MAXIMUM OVERALL LENGTH OF A PART IS 8.00.
- △ PART NUMBER, AND DATE CODE MARKED IN AREA SHOWN. MARKING ON BOTH SIDES PERMITTED FOR PARTS UNDER 2.00 LONG.
- △ MATERIAL:
 HOUSING - GLASS FILLED HIGH TEMP THERMO PLASTIC, UL94 V-0
 SIGNAL CONTACT - HIGH CONDUCTIVITY COPPER ALLOY
 POWER CONTACT - HIGH CONDUCTIVITY COPPER ALLOY
- △ CONTACT PLATING:
 SIGNAL CONTACTS - .000050 - .000100 Ni UNDER ALL.
 .000030 MIN Au ON CONTACT AREA.
 .000100 - .000200 Sn AT PCB INTERFACE.
 POWER CONTACTS - .000050 - .000100 Ni UNDER ALL.
 .000030 MIN Au ON CONTACT AREA.
 .000100 - .000200 Sn AT PCB INTERFACE.
- △ MECHANICAL CONNECTOR KEEP OUT ZONE.
- △ DATUM AND BASIC DIMENSIONS ESTABLISHED BY CUSTOMER.
- △ PCB - ALL HOLE DIAMETERS ARE FINISHED HOLE SIZES.
- △ PCB - .0453 ± .0010 DRILLED HOLES PLATED WITH .0003 MIN Sn. OVER .001 TO .003 Cu PLATING TO ACHIEVE A .040 HOLE.



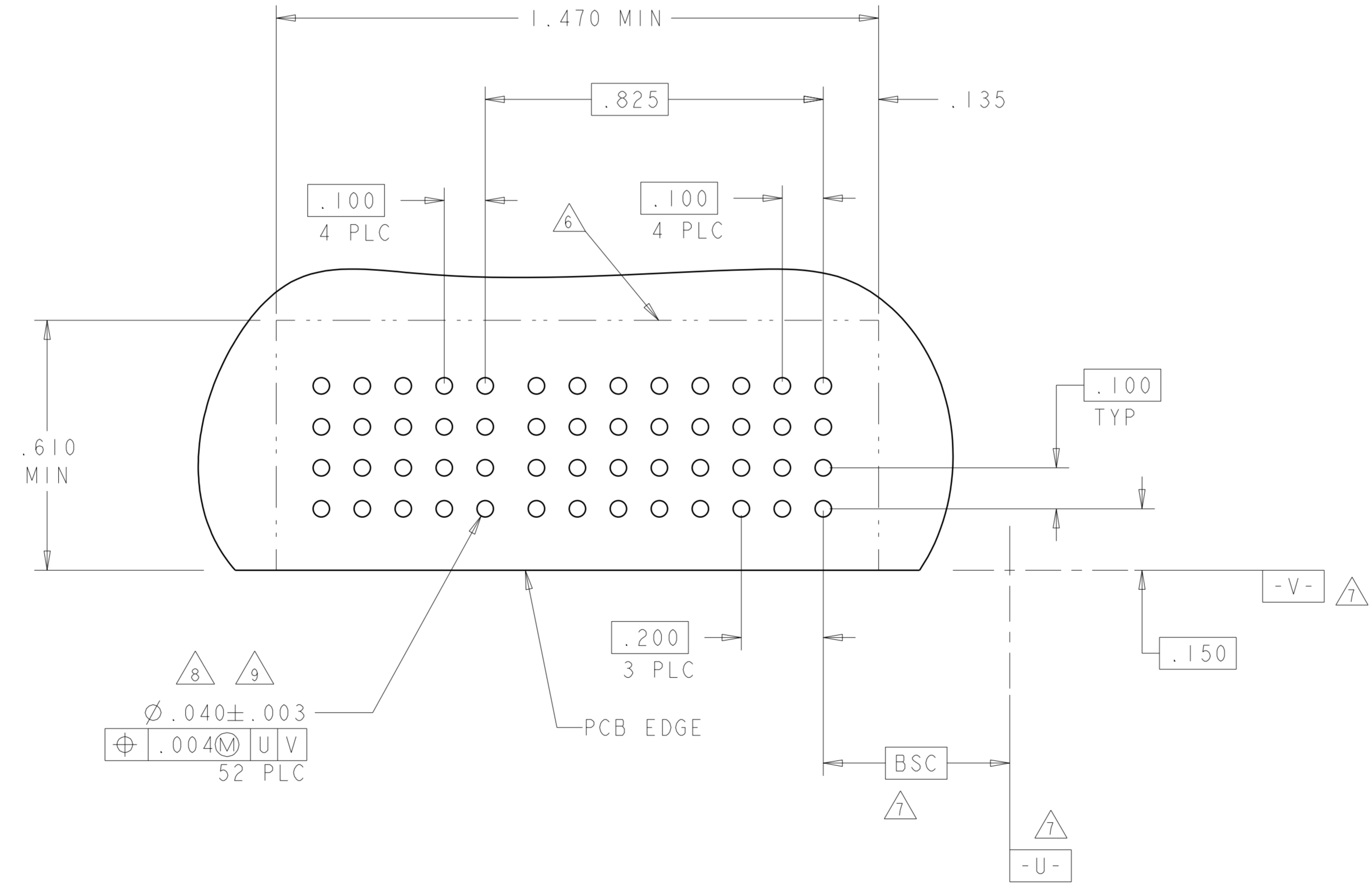
4HDP + 20S	6450566-1
DESCRIPTION	PART NUMBER

THIS DRAWING IS A CONTROLLED DOCUMENT FOR TYCO ELECTRONICS CORPORATION IT IS SUBJECT TO CHANGE AND THE CONTROLLING ENGINEERING DEPARTMENT SHOULD BE CONTACTED FOR THE LATEST REVISION.		DWN: 12DEC2005 CHK: S. ZHAO G. ZHANG APVD: S. YAO NAME: AMP, Incorporated Shanghai, P.R. China, 200233 tyco Electronics
DIMENSIONS: INCHES 0 PLC ±0 1 PLC ±0.1 2 PLC ±0.01 3 PLC ±0.005 4 PLC ±0.002 ANGLES ±0°	TOLEANCES UNLESS OTHERWISE SPECIFIED: 0 PLC ±0 1 PLC ±0.1 2 PLC ±0.01 3 PLC ±0.005 4 PLC ±0.002 ANGLES ±0°	PRODUCT SPEC: 108-1973 APPLICATION SPEC: 114-13038 WEIGHT: - SCALE: 4:1 SHEET 1 OF 2 REV B
MATERIAL: △ 4 FINISH: △ 5		CUSTOMER DRAWING SIZE: A 00779 C=6450566 RESTRICTED TO: -

LOC	DIST	REVISIONS					
ES	00	PT	LTR	DESCRIPTION	DATE	DWN	APVD
				SEE SHEET 1			

PART NUMBER	ROWS	SIGNAL					POWER			
		5	4	3	2	1	P4	P3	P2	P1
6450566-1	D	DD	DD	DD	DD	DD				
	C	CC	CC	CC	CC	CC	RK	RK	RK	RK
	B	BB	BB	BB	BB	BB				
	A	AA	AA	AA	AA	AA				

4HDP + 20S



MATING SEQUENCE	QTY	DESCRIPTION	IDENTIFIER
1		HOUSING, RIGHT ANGLE RECEPTACLE, MULTI-BEAM XL	HOUSING
5		RECEPT. SIGNAL CONTACT, EYE OF THE NEEDLE, ROW D	DD
5		RECEPT. SIGNAL CONTACT, EYE OF THE NEEDLE, ROW C	CC
5		RECEPT. SIGNAL CONTACT, EYE OF THE NEEDLE, ROW B	BB
5		RECEPT. SIGNAL CONTACT, EYE OF THE NEEDLE, ROW A	AA
4		RCPT POWER CONTACT, R/A, MFBL, MB XL, EYE OF THE NEEDLE	RK

DIMENSIONS: INCHES 		TO TOLERANCES UNLESS OTHERWISE SPECIFIED: 0 PLC ±0 1 PLC ±0.1 2 PLC ±0.01 3 PLC ±0.005 4 PLC ±0.002 ANGLES ±30°		DWN 12DEC2005 S. ZHAO CHK 12DEC2005 G. ZHANG APVD 16DEC2005 S. YAO NAME RIGHT ANGLE RECEPTACLE ASSEMBLY MULTI-BEAM XL, PWR-SIG, NO GUIDE PRESS FIT LEGS SIZE CADE CODE DRAWING NO A 00779 C=6450566 RESTRICTED TO - WEIGHT - CUSTOMER DRAWING SCALE 4:1 SHEET 2 OF 2 REV B	
MATERIAL - FINISH - PRODUCT SPEC 108-1973 APPLICATION SPEC 114-13038		DWG 12DEC2005 S. ZHAO CHK 12DEC2005 G. ZHANG APVD 16DEC2005 S. YAO NAME RIGHT ANGLE RECEPTACLE ASSEMBLY MULTI-BEAM XL, PWR-SIG, NO GUIDE PRESS FIT LEGS SIZE CADE CODE DRAWING NO A 00779 C=6450566 RESTRICTED TO - WEIGHT - CUSTOMER DRAWING SCALE 4:1 SHEET 2 OF 2 REV B		AMP, Incorporated Shanghai, P.R. China, 200233 TycO Electronics	

X-ON Electronics

Largest Supplier of Electrical and Electronic Components

Click to view similar products for [Power to the Board](#) category:

Click to view products by [TE Connectivity](#) manufacturer:

Other Similar products are found below :

[10131318-08512GRLF](#) [6450171-4](#) [6450552-7](#) [6600323-8](#) [6643429-1](#) [6646040-2](#) [6651939-1](#) [6766604-1](#) [120959-1](#) [1393557-2](#) [1393532-2](#)
[1393532-3](#) [1393532-4](#) [1393557-1](#) [1600812-5](#) [1-6450861-2](#) [1645595-1](#) [1743490-1](#) [1744132-7](#) [1761122-1](#) [1766169-1](#) [1766250-1](#) [18362](#)
[1892109-1](#) [1-967627-6](#) [2226808-1](#) [2-6450860-5](#) [2-6450860-6](#) [2-6450870-0](#) [93003-0502](#) [953552-1](#) [1-6450161-4](#) [1-6450850-6](#) [1645526-2](#) [1-](#)
[6600130-0](#) [1743419-1](#) [1766150-1](#) [2005243-2](#) [211110-1](#) [2-6600130-2](#) [TE34-12-16P-F0](#) [51700-10201602AALF](#) [5-6450830-6](#) [5646956-4](#)
[36662-0005](#) [40585-3000](#) [4-6450830-9](#) [4-6600333-3](#) [51142-0214](#) [10125416-4050LF](#)