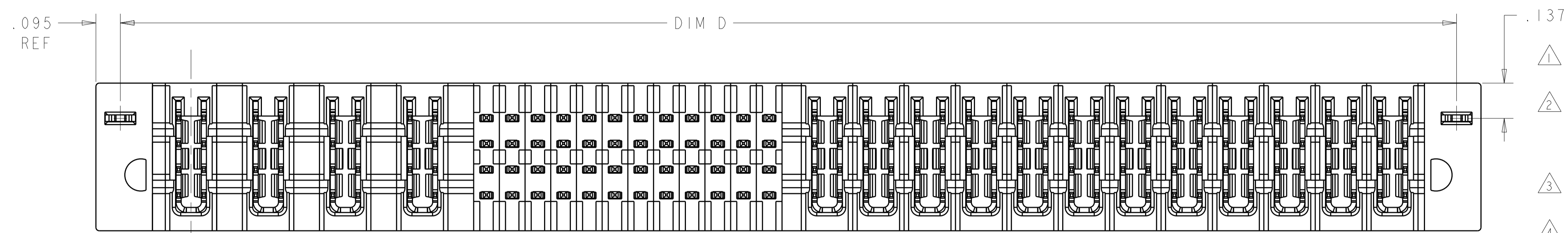
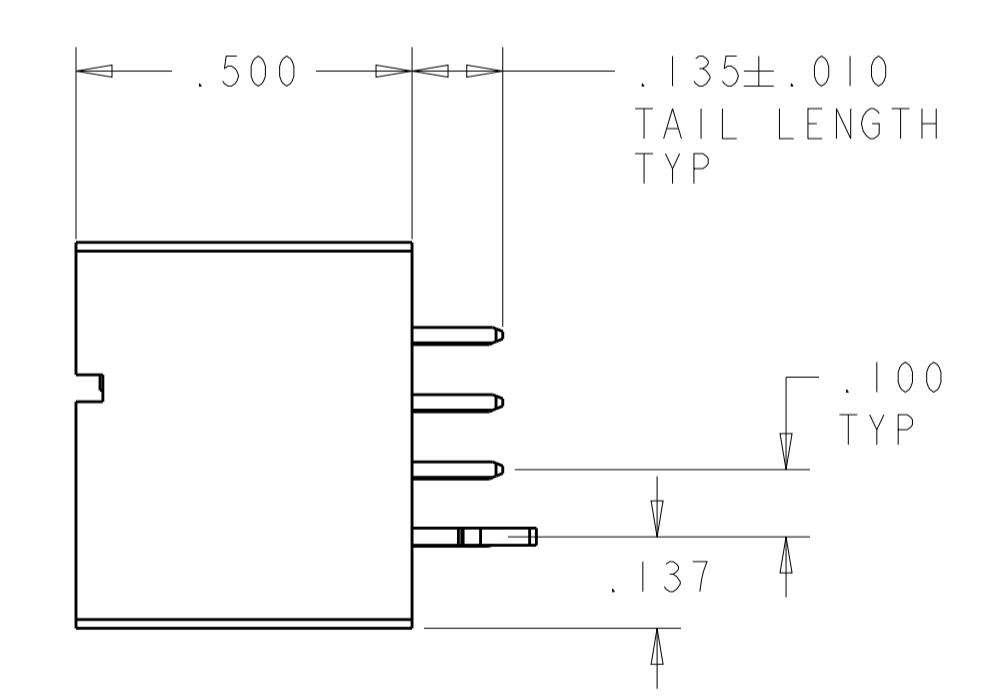
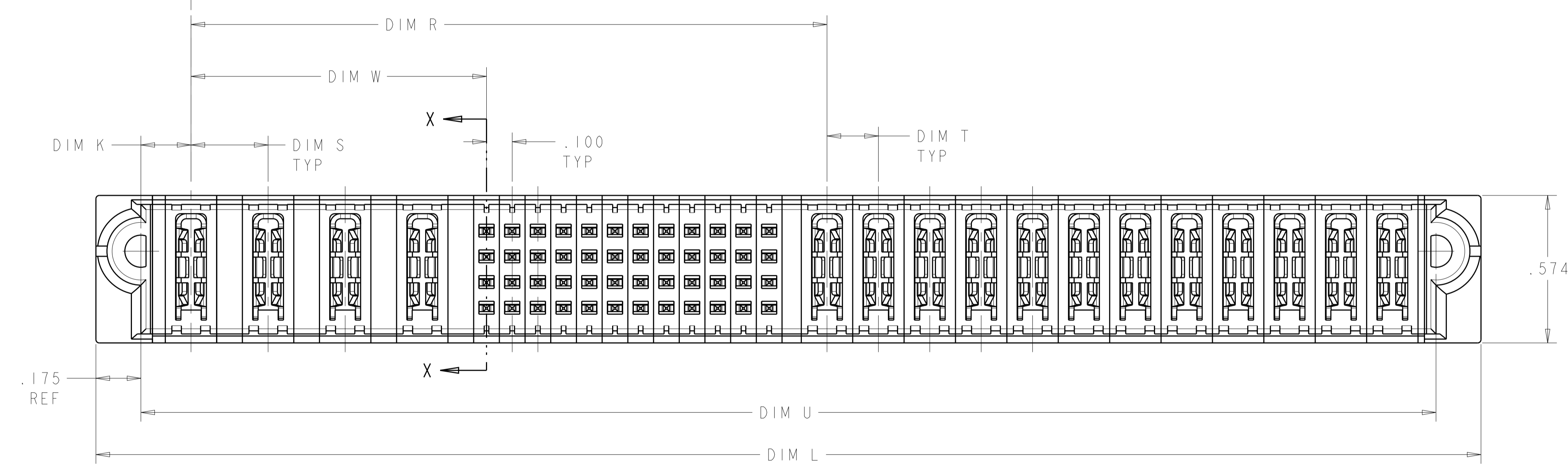
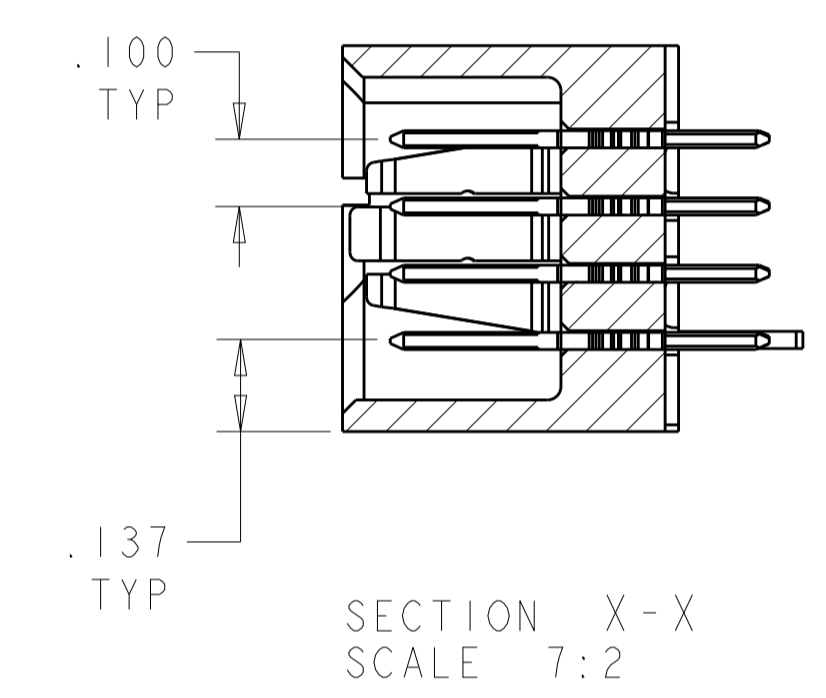
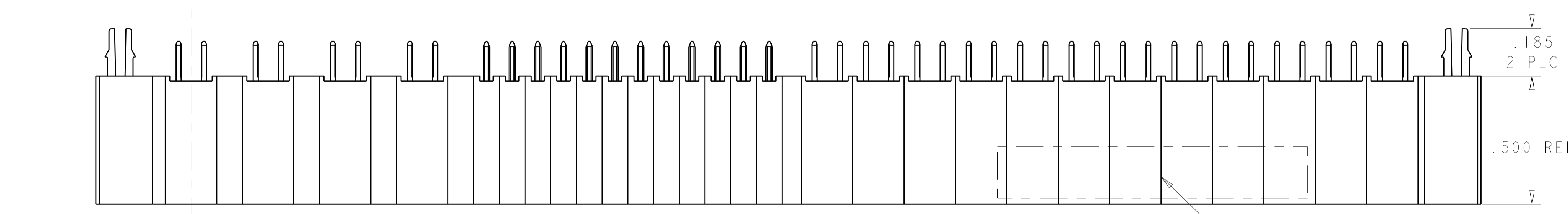


LOC	DIST	REVISIONS					
		P	LTN	DESCRIPTION	DATE	DMN	APVD
ES	00	D1		RELEASE 1-1	02MAR2015	CZ	SZ
		D2		ADD NEW DASH NUMBER 1-2	10MAY2015	CZ	SZ



- 1. HEADER HOUSING: THERMO PLASTIC, BLACK, UL94 V-0; CONTACTS AND RETENTION CLIPS: COPPER ALLOY.
- 2. CONTACT PLATING: NOBLE METAL PLATING ON CONTACT FUNCTIONAL AREA OF POWER AND SIGNAL CONTACTS
RETENTION CLIP: .000050 MIN. NI UNDER ALL, .000030 MIN. MATTE Sn OVER ALL
- 3. "AMP", PART NUMBER AND DATE CODE MARKED IN THIS AREA. PARTS UNDER 2.50 LONG MAY BE MARKED ON BOTH SIDES.
- 4. DATUM AND BASIC DIMENSIONS ESTABLISHED BY CUSTOMER.
- 5. PCB - ALL HOLE DIAMETERS ARE FINISHED HOLE SIZES.
- 6. MECHANICAL CONNECTOR KEEP OUT ZONE.
- 7. DETAIL DIM.REFER TO VIEW
- 8. FOR LP/S/LP CONFIGURATION, PLEASE REFER TO SHEET 2.
- 9. DETAIL DIM.REFER TO TABLE


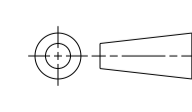


THIS DRAWING IS A CONTROLLED DOCUMENT.		DMN D. ZHU	27DEC2007		TE Connectivity
DIMENSIONS: INCHES		CHK S. ZHAO	27DEC2007		NAME VERTICAL HEADER W/ DUIDES SOLDER TYPE CONTACT, MULTI-BEAM XLE
TOLERANCES UNLESS OTHERWISE SPECIFIED:		APVD S. ZHAO	27DEC2007	PRODUCT SPEC	
0 PLC ±.01				108-2292	
2 PLC ±.01				APPLICATION SPEC	
3 PLC ±.005				114-13251	
4 PLC ±.0020				WEIGHT	
ANGLES ±.020				Customer Drawing	
FINISH				SCALE 4:1 SHEET 1 OF 10 REV D2	

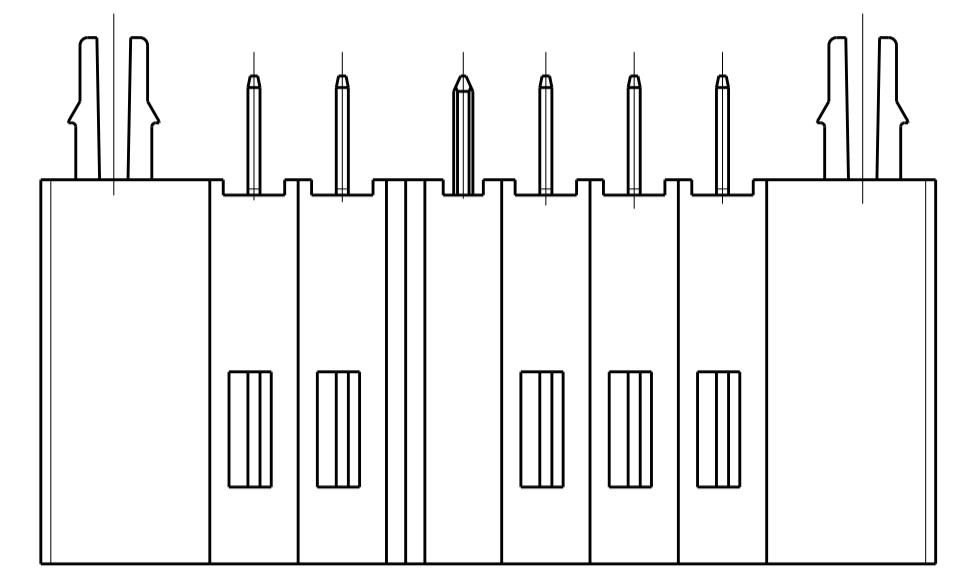
THIS DRAWING IS UNPUBLISHED. RELEASED FOR PUBLICATION 20
 © COPYRIGHT 20 . ALL RIGHTS RESERVED.

LOC	DIST	REVISIONS					
		P	LTN	DESCRIPTION	DATE	DWN	APVD
ES	00	-		SEE SHEET 1	-	-	-

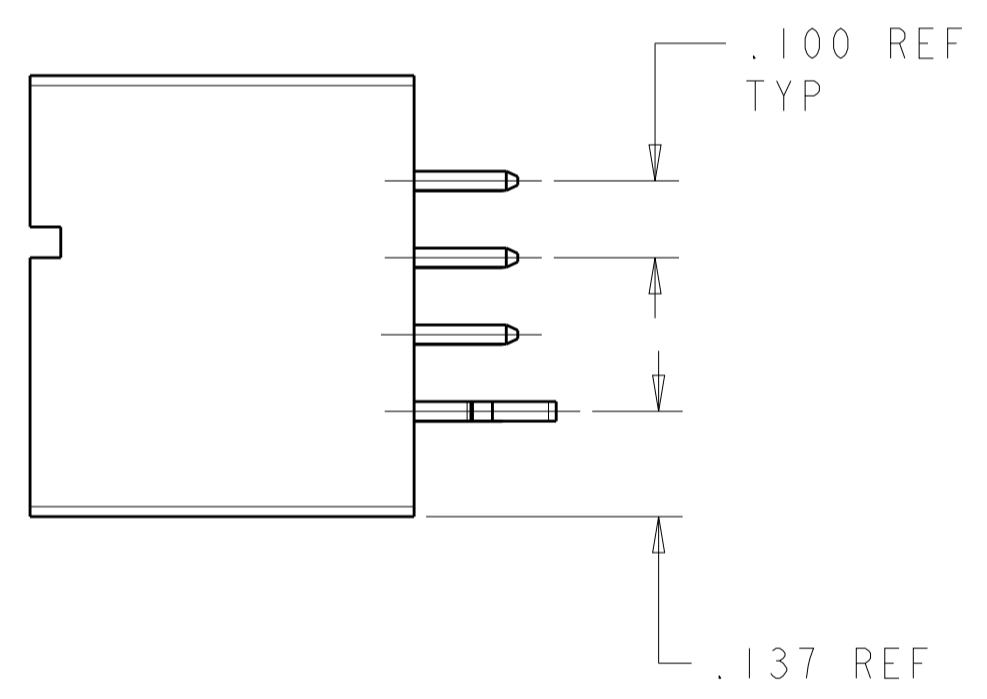
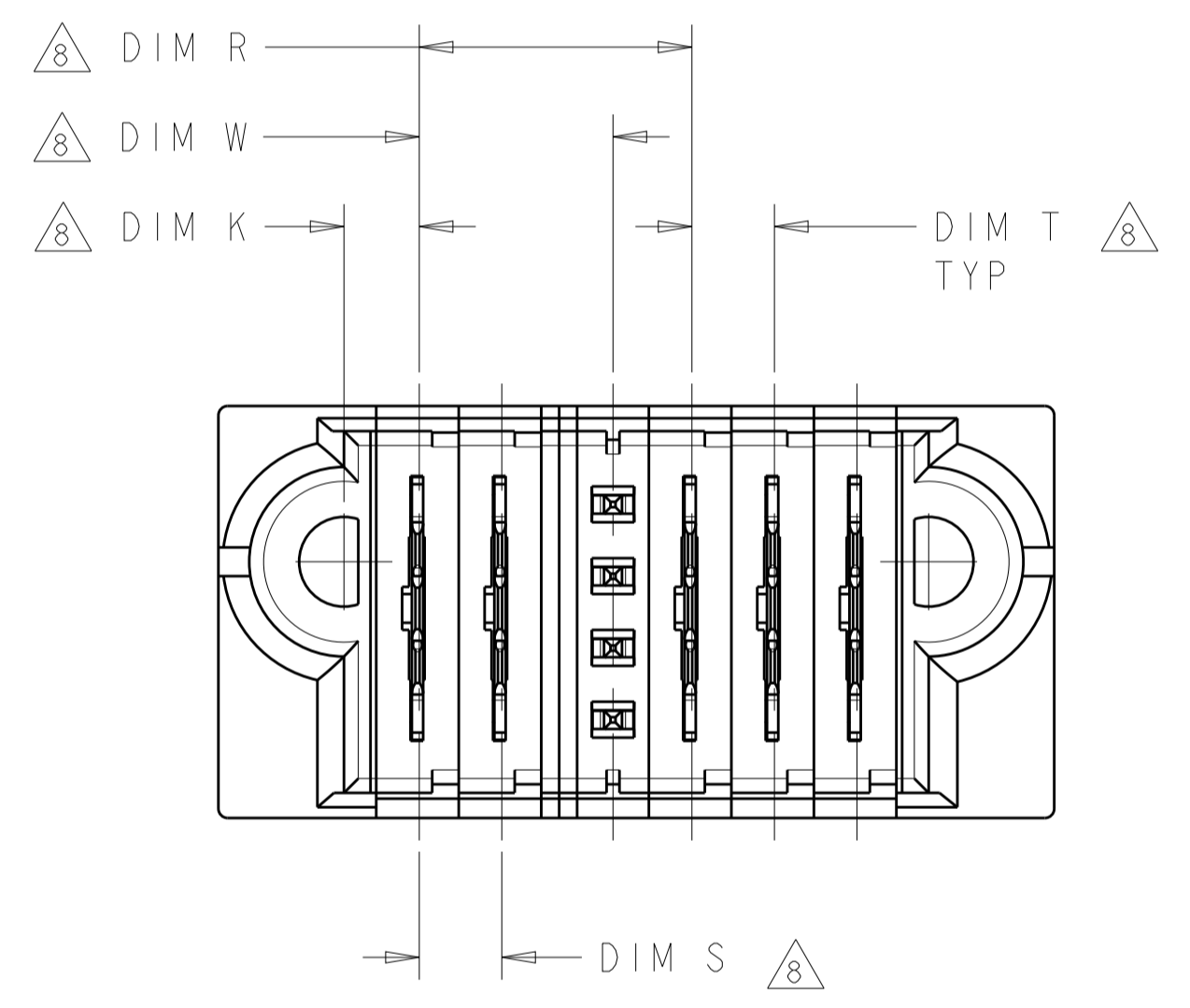
.250	3.100	1.975	.250	5.190	5.350	5.540	.170	8P + 40S + 8P	1-6450810-2
-	.965	.1575	-	1.170	-	1.520	.1025	1LP + 32S + 1LP	1-6450810-1
-	-	-	.9	2.740	2.900	3.090	.170	11P	1-6450810-0
-	-	3.050	.9	3.940	4.100	4.290	.195	10P + 28S	6450810-9
-	-	-	.200	.740	.900	1.090	.170	3HDP	6450810-8
-	.965	.1575	-	1.170	-	1.520	.1025	1LP + 32S + 1LP	6450810-7
.115	.480	.270	.115	.915	1.075	1.265	.105	2LP + 8S + 3LP	6450810-6
.115	.380	.270	.115	.815	.975	1.165	.105	2LP + 4S + 3LP	6450810-5
.200	.800	.350	.200	1.490	1.650	1.840	.145	2HDP + 16S + 3HDP	6450810-4
.9	.9	.9	.9	5.040	5.200	5.390	.170	2P+16S+1P+2ACP+5P+2ACP+1P+16S+1P+8S	6450810-3
.9	2.525	1.525	.9	5.640	5.800	5.990	.195	5P + 28S + 8P	6450810-2
.200	2.475	1.150	.300	5.040	5.200	5.390	.195	4ACP + 48S + 12HDP	6450810-1
DIM T	DIM R	DIM W	DIM S	DIM U	DIM D	DIM L	DIM K	DESCRIPTION	PART NUMBER

THIS DRAWING IS A CONTROLLED DOCUMENT.		DWN D. ZHU 27DEC2007	 TE Connectivity
DIMENSIONS: INCHES		CHK S. ZHAO 27DEC2007	
TOLERANCES UNLESS OTHERWISE SPECIFIED:		APVD S. ZHAO 27DEC2007	NAME VERTICAL HEADER W/ DUIDES SOLDER TYPE CONTACT, MULTI-BEAM XLE
0 PLC ±. 1 PLC ±.01 2 PLC ±.01 3 PLC ±.005 4 PLC ±.0020 ANGLES ±.020		PRODUCT SPEC 108-2292	SIZE A1
		APPLICATION SPEC 114-13251	CAGE CODE 6450810
MATERIAL		WEIGHT	RESTRICTED TO
FINISH		Customer Drawing	SCALE 4:1 SHEET 2 OF 10 REV D2

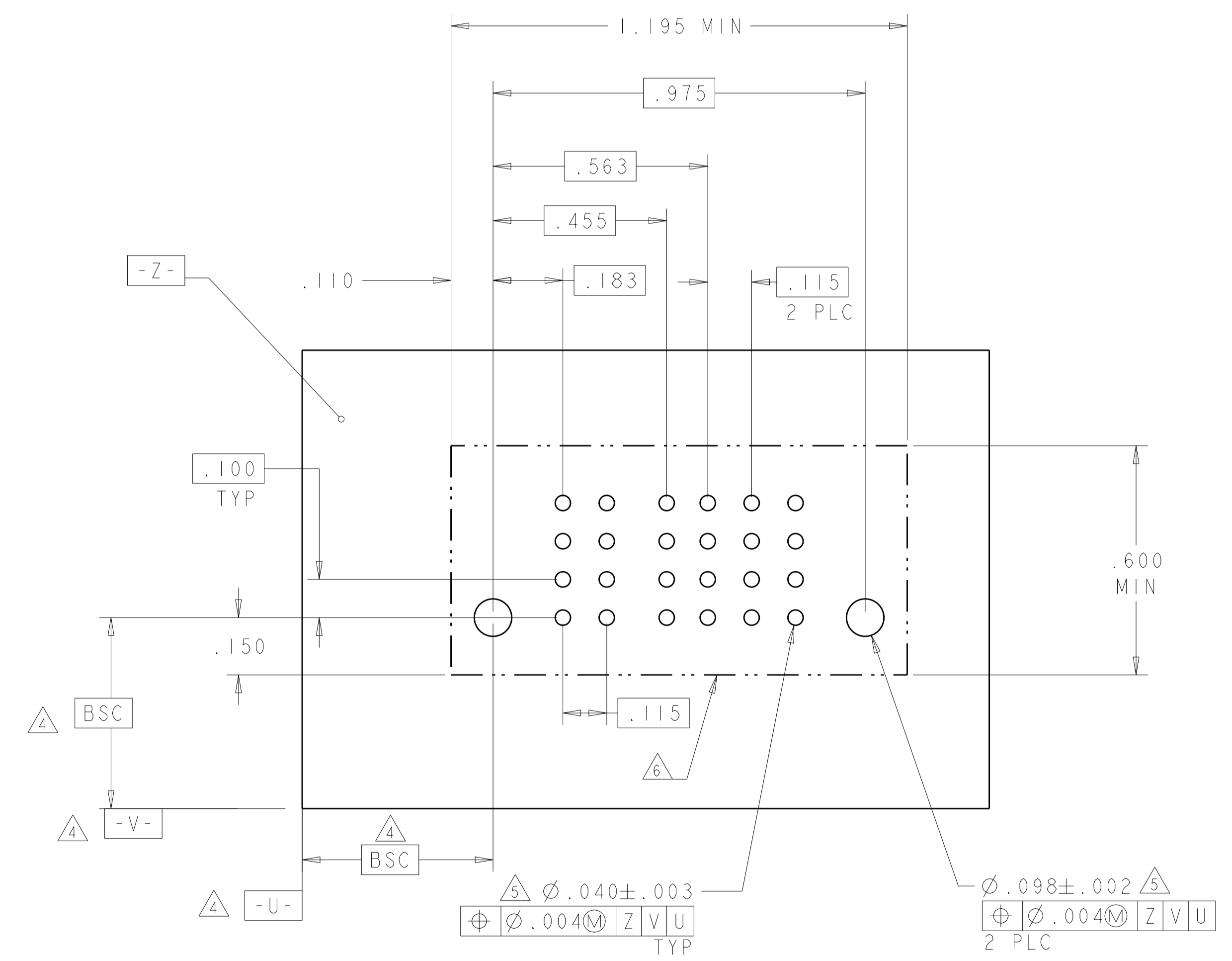
LOC	DIST	REVISIONS			
P	LTN	DESCRIPTION	DATE	DMN	APVD
ES	00	SEE SHEET 1	-	-	-



PART NUMBER	ROWS	POWER		SIGNAL	POWER		
		P1	P2	I	P3	P4	P5
6450810-5	D	LX	LX	MV	LXF	LXF	LXF
	C			MV			
	B			MV			
	A			MV			
2LP+4S+3LP	HD						HD



(B1) FOR LP/S/LP (6450810-5/-6/-7) CONFIGURATION UNSPECIFIED DIM REFER TO SHEET 1



DESIGN APPROVED THIS PRINT IS
PRELIMINARY
 TO FIRST PIECE APPROVAL
 CONTACT PRODUCT ENGINEERING
 BEFORE USING THIS PRINT

THIS DRAWING IS A CONTROLLED DOCUMENT.		DMN: D. ZHU 27DEC2007	TE Connectivity
DIMENSIONS: INCHES		CHK: S. ZHAO 27DEC2007	
TOLERANCES UNLESS OTHERWISE SPECIFIED:		APVD: S. ZHAO 27DEC2007	NAME: VERTICAL HEADER W/ DUIDES SOLDER TYPE CONTACT, MULTI-BEAM XLE
0 PLC ±.01	1 PLC ±.01	PRODUCT SPEC: 108-2292	SIZE: A100779
2 PLC ±.01	3 PLC ±.005	APPLICATION SPEC: 114-13251	CAGE CODE: C=6450810
4 PLC ±.0020	ANGLES ±.7°	WEIGHT: -	RESTRICTED TO: -
MATERIAL: -	FINISH: -	Customer Drawing	SCALE: 4:1 SHEET 3 OF 10 REV: D2

LOC	DIST	REVISIONS			
P	LTN	DESCRIPTION	DATE	DMN	APVD
ES	00	SEE SHEET 1			

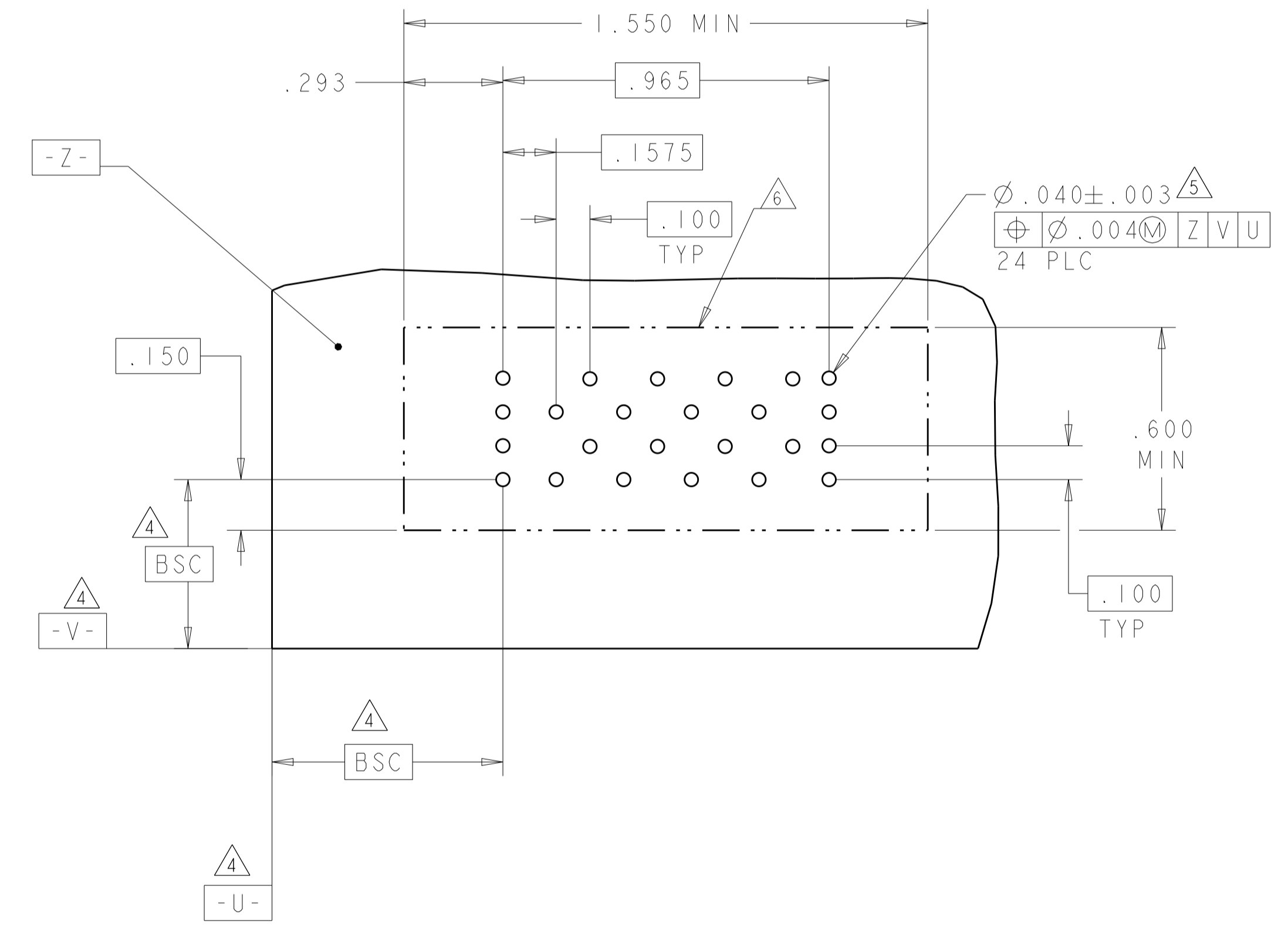
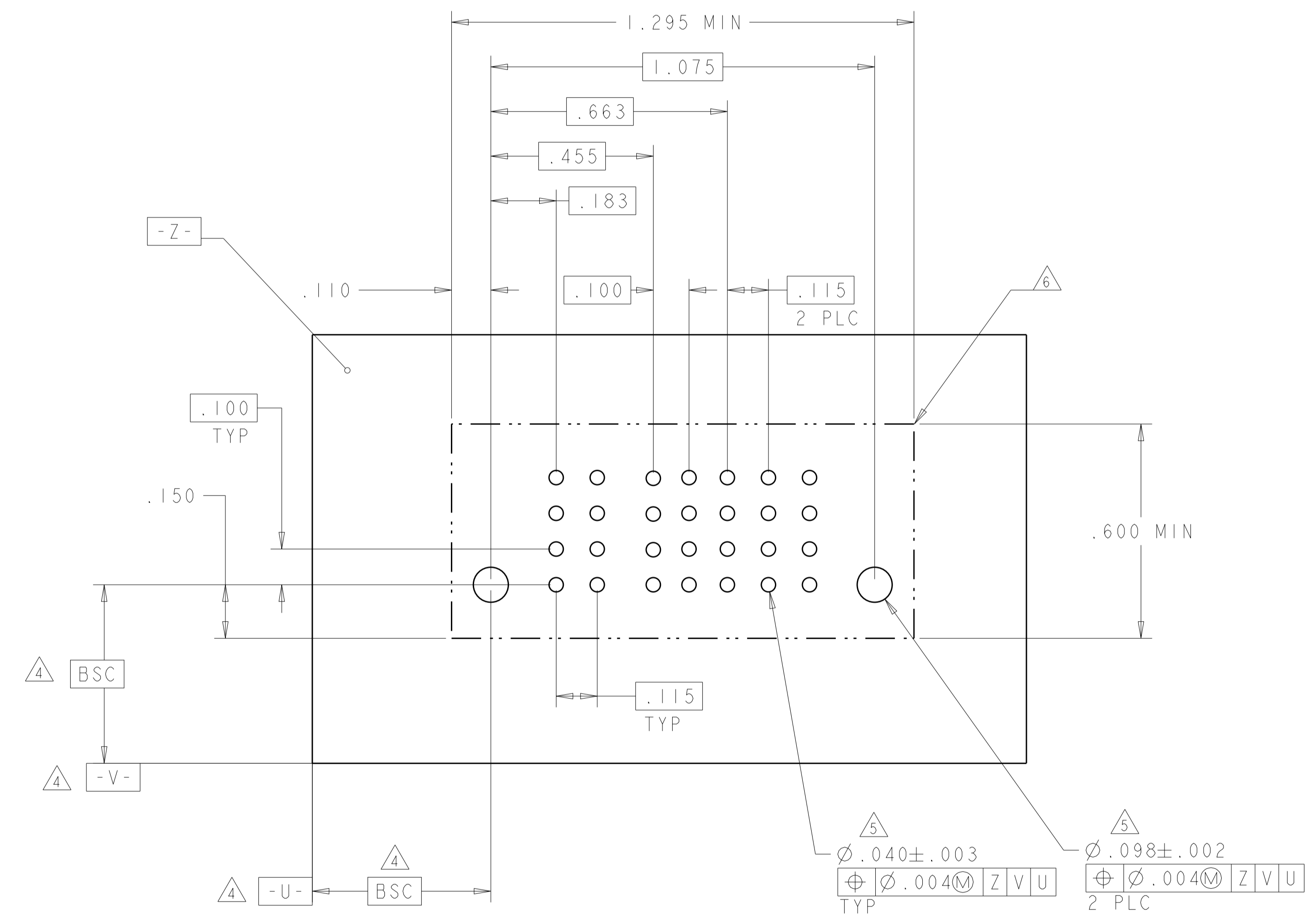
B2

PART NUMBER	ROWS	POWER		SIGNAL		POWER		
		P1	P2	1	2	P3	P4	P5
6450810-6	D	LX	LX	MV	MV	LXF	LXF	LXF
	C			MV	MV			
	B			MV	MV			
	A			MV	MV			
2LP+8S+3LP	HD							HD

C

PART NUMBER	ROWS	LOW POWER		SIGNAL								LOW POWER		
		LPI	LP2	1	2	3	4	5	6	7	8	LP1	LP2	
6450810-7	D	LXF	LXF	MV	MV	MV	MV	MV	MV	MV	MV	MV	MV	MV
	C			MV	MV	MV	MV	MV	MV	MV	MV	MV	MV	
	B			MV	MV	MV	MV	MV	MV	MV	MV	MV	MV	
	A			MV	MV	MV	MV	MV	MV	MV	MV	MV	MV	
1LP+32S+1LP														

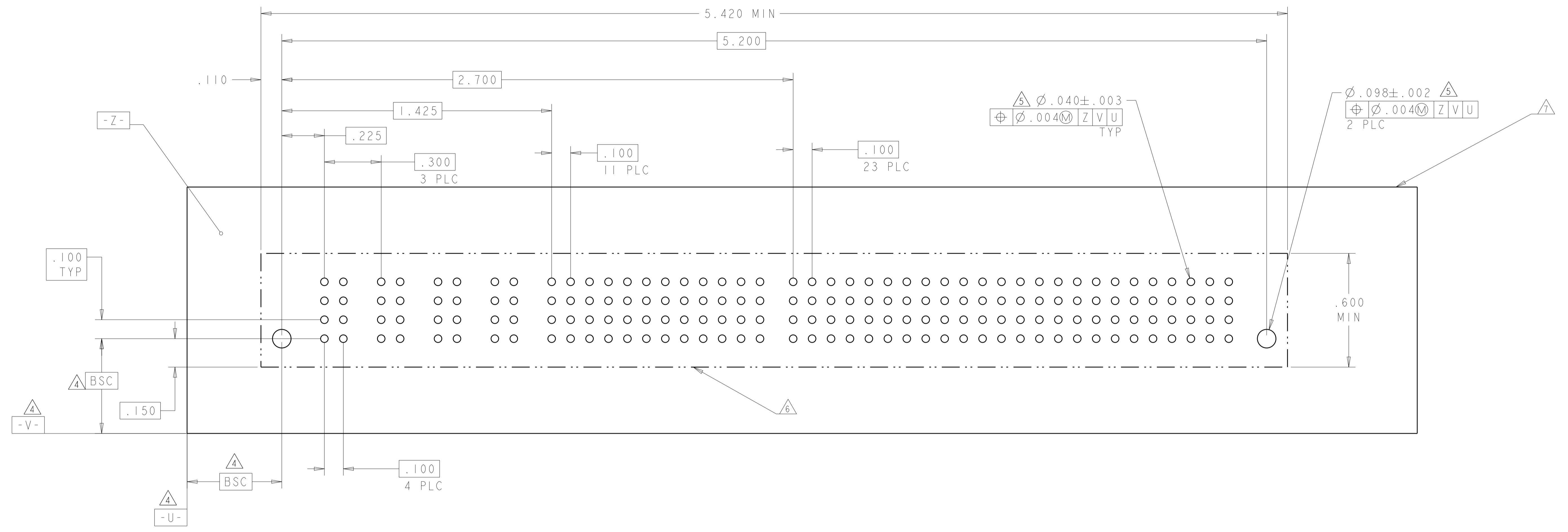
NO CONTACTS LOADED



THIS DRAWING IS A CONTROLLED DOCUMENT.		DMN: D. ZHU 27DEC2007	TE Connectivity
DIMENSIONS: INCHES		CHK: S. ZHAO 27DEC2007	
TOLERANCES UNLESS OTHERWISE SPECIFIED:		APVD: S. ZHAO 27DEC2007	NAME: VERTICAL HEADER W/ DUIDES SOLDER TYPE CONTACT, MULTI-BEAM XLE
0 PLC ±.01 1 PLC ±.01 2 PLC ±.01 3 PLC ±.005 4 PLC ±.0020 ANGLES ±.2°		PRODUCT SPEC: 108-2292	SIZE: A100779
MATERIAL: -		APPLICATION SPEC: 114-13251	CAGE CODE: C=6450810
FINISH: -		WEIGHT: -	RESTRICTED TO: -
Customer Drawing		SCALE: 4:1	SHEET 4 OF 10 REV D2

LOC		DIST		REVISIONS				
		P	LTN	DESCRIPTION	DATE	DNW	APVD	
ES	00	-	-	SEE SHEET 1	-	-	-	

PART NUMBER	ROWS	POWER				SIGNAL												POWER												HD					
		P1	P2	P3	P4	1	2	3	4	5	6	7	8	9	10	11	12	P5	P6	P7	P8	P9	P10	P11	P12	P13	P14	P15	P16						
6450810-1	D	SZ	SZ	SZ	SZ	SV	SV	SV	SV	SV	SV	SV	SV	SV	SV	SV	SV	SV	SV	SV	SV	SV	SV	SV	SV	SV	SV	SV	SV	SV					
	C					SV	SV	SV	SV	SV	SV	SV	SV	SV	SV	SV	SV	SV	SV	SV	SV	SV	SV	SV	SV	SV	SV	SV	SV	SV	SV	SV	SV	SV	
	B					SV	SV	SV	SV	SV	SV	SV	SV	SV	SV	SV	SV	SV	SV	SV	SV	SV	SV	SV	SV	SV	SV	SV	SV	SV	SV	SV	SV	SV	SV
	A					SV	SV	SV	SV	SV	SV	SV	SV	SV	SV	SV	SV	SV	SV	SV	SV	SV	SV	SV	SV	SV	SV	SV	SV	SV	SV	SV	SV	SV	SV
4ACP+48S+12HDP		HD																																	



MATING SEQUENCE	DESCRIPTION	IDENTIFIER
-	RETENTION CLIP	HD
STANDARD	SIGNAL CONTACT .165	MV
MLBF	SIGNAL CONTACT .135	SS
STANDARD	SIGNAL CONTACT .135	SV
MFBL	LOW POWER CONTACT .135	LXF
STANDARD	LOW POWER CONTACT .135	LX
MFBL	LOW POWER CONTACT .165	LUF
STANDARD	POWER CONTACT .165	MP
STANDARD	POWER CONTACT .135	SZ

THIS DRAWING IS A CONTROLLED DOCUMENT.

DIMENSIONS: INCHES
 TOLERANCES UNLESS OTHERWISE SPECIFIED:
 0 PLC ±.
 1 PLC ±.01
 2 PLC ±.01
 3 PLC ±.005
 4 PLC ±.0020
 ANGLES ±.020
 FINISH:

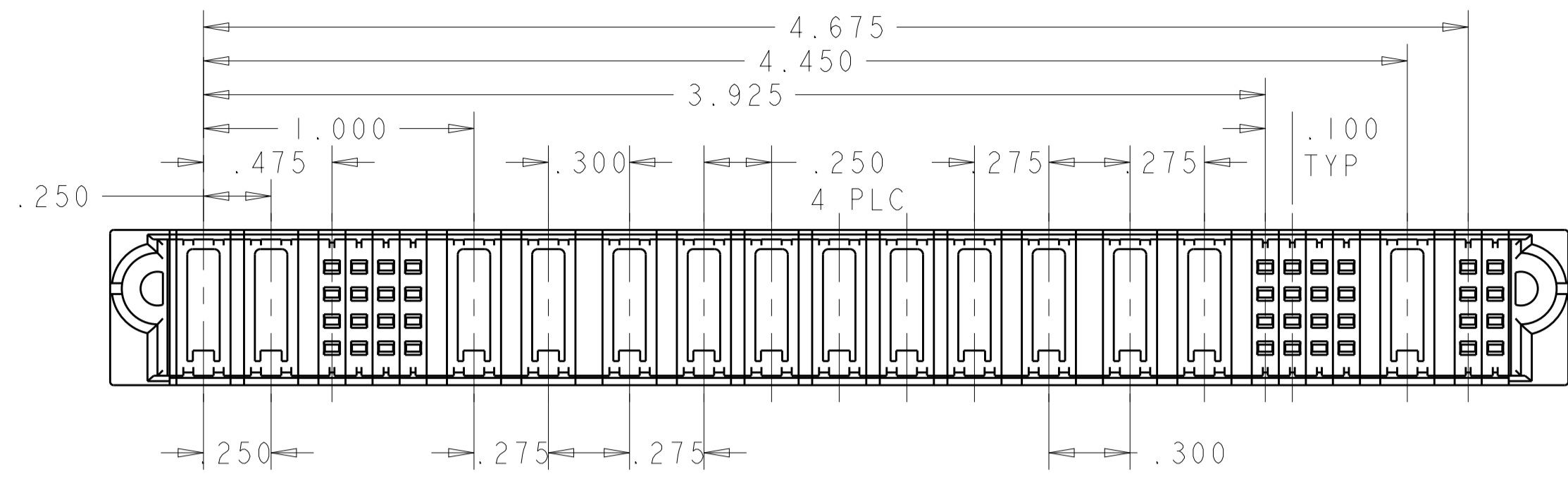
DWN: D. ZHU 27DEC2007
 CHK: S. ZHAO 27DEC2007
 APVD: S. ZHAO 27DEC2007

NAME: VERTICAL HEADER W/ DUIDES
 SOLDER TYPE CONTACT, MULTI-BEAM XLE
 SIZE: 114-13251
 WEIGHT: -
 CUSTOMER DRAWING

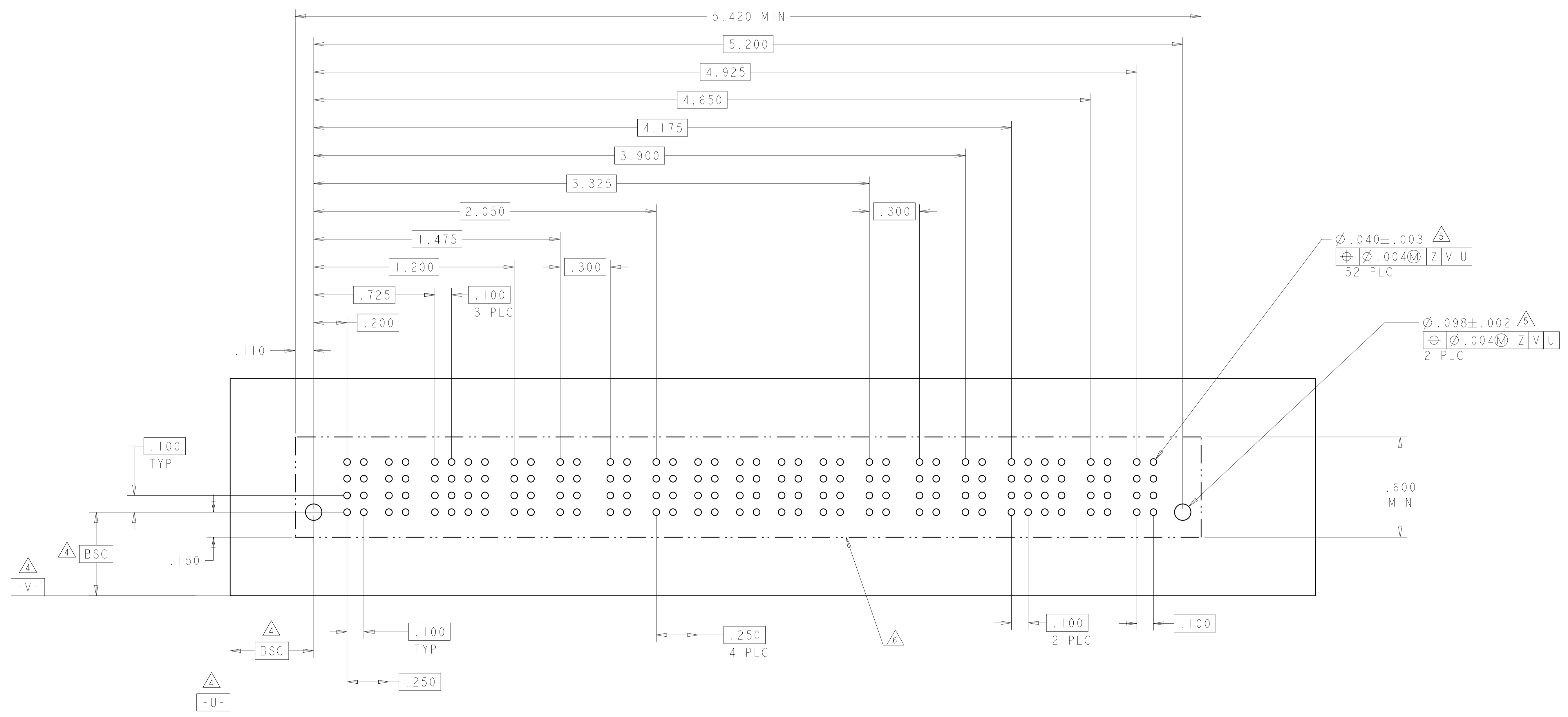
SCALE: 4:1
 SHEET: 5 OF 10
 REV: D2

LOC	DIST	REVISONS			
P	LTH	DESCRIPTION	DATE	OWN	APVD
ES	00	SEE SHEET 1			

PART NUMBER	ROWS	HD	POWER		SIGNAL				POWER									SIGNAL				POWER	SIGNAL		HD				
			P1	P2	1	2	3	4	P3	P4	P5	P6	P7	P8	P9	P10	P11	P12	P13	5	6	7	8	P14		9	10		
6450810-3	D C B A		SZ		SV	SV	SV	SV		SZ		SZ		SZ		SZ		SZ		SZ		SZ		SV	SV	SV	SV	SS	
2P+16S+1P+2ACP+5P+2ACP+1P+16S+1P+8S																													



SCALE 2:1
6450810-3



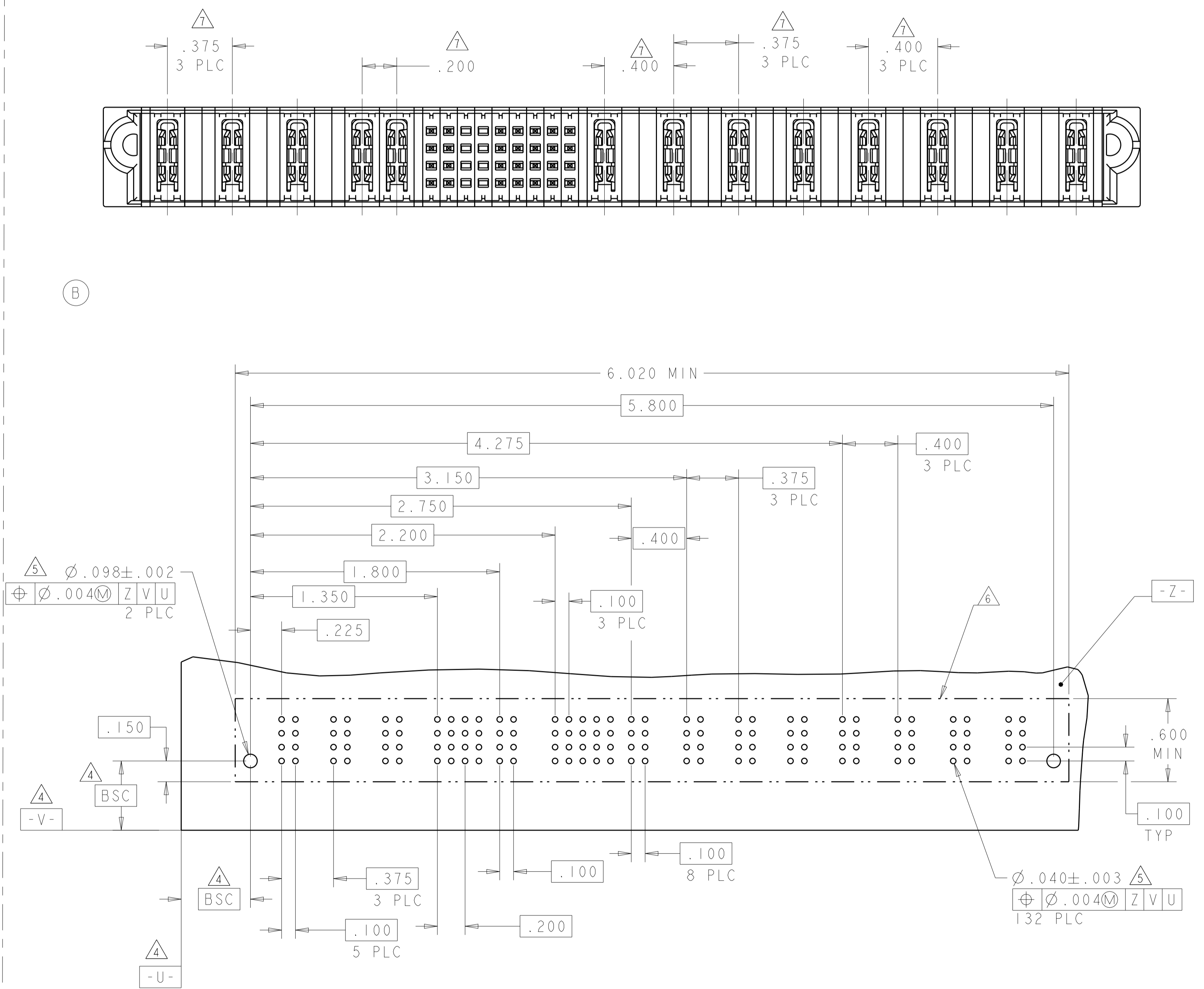
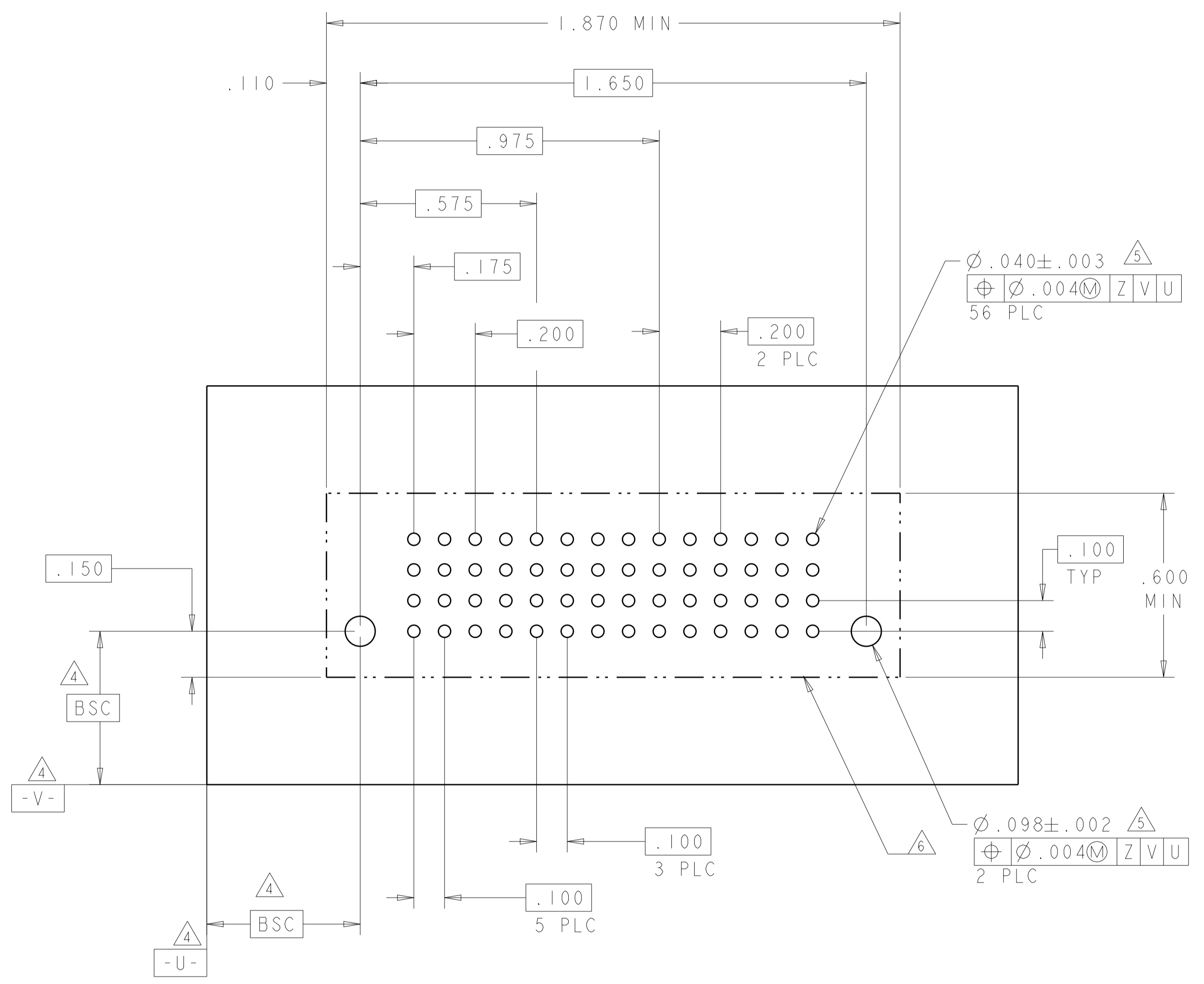
THIS DRAWING IS A CONTROLLED DOCUMENT.		OWN: D. ZHU 27DEC2007	TE Connectivity
DIMENSIONS: INCHES		CHK: S. ZHAO 27DEC2007	
TOLERANCES UNLESS OTHERWISE SPECIFIED:		APVD: S. ZHAO 27DEC2007	NAME: VERTICAL HEADER W/ DUIDES SOLDER TYPE CONTACT, MULTI-BEAM XLE
0 PLC ±		PRODUCT SPEC 108-2292	SIZE: A100779
1 PLC ±.01		APPLICATION SPEC 114-13251	CAGE CODE: C=6450810
2 PLC ±.005		WEIGHT	RESTRICTED TO
3 PLC ±.0020		FINISH	
4 PLC ±.0020			
ANGLES			
MATERIAL			

LOC	DIST	REV	DATE	BY	APPV
ES	00				
DESCRIPTION			REVISIONS		
SEE SHEET 1					

PART NUMBER	ROWS	POWER		SIGNAL				POWER		
		P1	P2	1	2	3	4	P3	P4	P5
6450810-4	D	SZ	SZ	SV	SV	SV	SV	SZ	SZ	SZ
	C			SV	SV	SV	SV			
	B			SV	SV	SV	SV			
	A			SV	SV	SV	SV			
2HDP+16S+3HDP		HD						HD		

PART NUMBER	ROWS	POWER					SIGNAL																
		P1	P2	P3	P4	P5	1	2	3	4	5	6	7	8	9	P6	P7	P8	P9	P10	P11	P12	P13
6450810-2	D	SZ	SZ	SZ	SZ	SZ	SV	SV			SV	SV	SV	SV	SV	SZ	SZ	SZ	SZ	SZ	SZ	SZ	SZ
	C						SV	SV			SV	SV	SV	SV	SV								
	B						SV	SV			SV	SV	SV	SV	SV								
	A						SV	SV			SV	SV	SV	SV	SV								
5P+28S+8P		HD															HD						

NO CONTACTS LOADED



THIS DRAWING IS A CONTROLLED DOCUMENT.		DWN: D.ZHU 27DEC2007	TE Connectivity STE
DIMENSIONS:		CHK: S.ZHAO 27DEC2007	
INCHES		APV: S.ZHAO 27DEC2007	NAME: VERTICAL HEADER W/ DUIDES SOLDER TYPE CONTACT, MULTI-BEAM XLE
TOLERANCES UNLESS OTHERWISE SPECIFIED:		PRODUCT SPEC	
0 PLC ±. 2 PLC ±.01 5 PLC ±.005 4 PLC ±.0020 ANGLES ±.0°		APPLICATION SPEC	
MATERIAL	FINISH	114-13251	RESTRICTED TO
		WEIGHT	Customer Drawing
		SCALE: 4:1	SHEET 7 OF 10
		REV: D2	

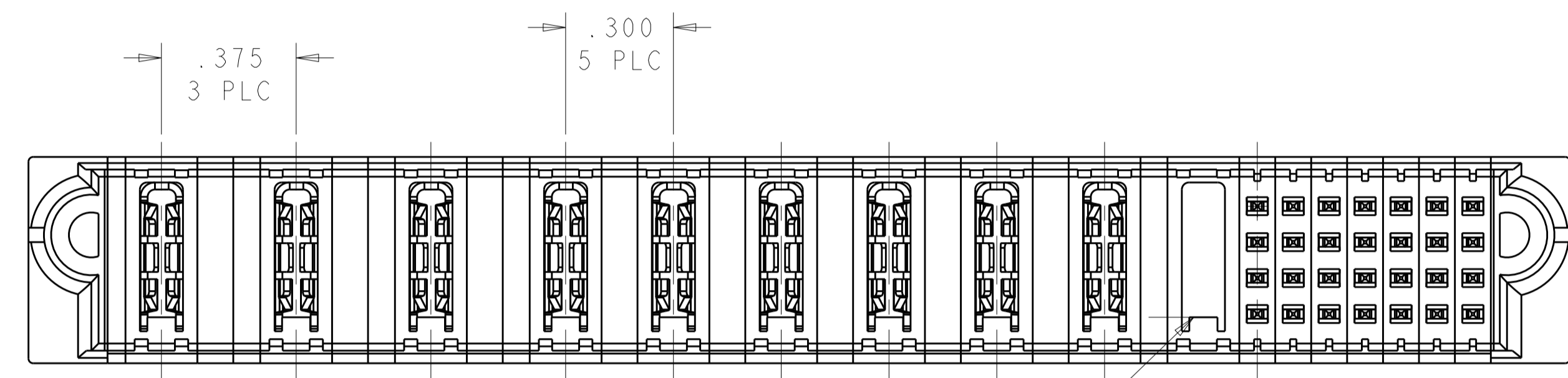
LOC	DIST	REV	DATE	APP'D
ES	00			

REVISIONS		DATE	OWN	APP'D
-	SEE SHEET 1	-	-	-

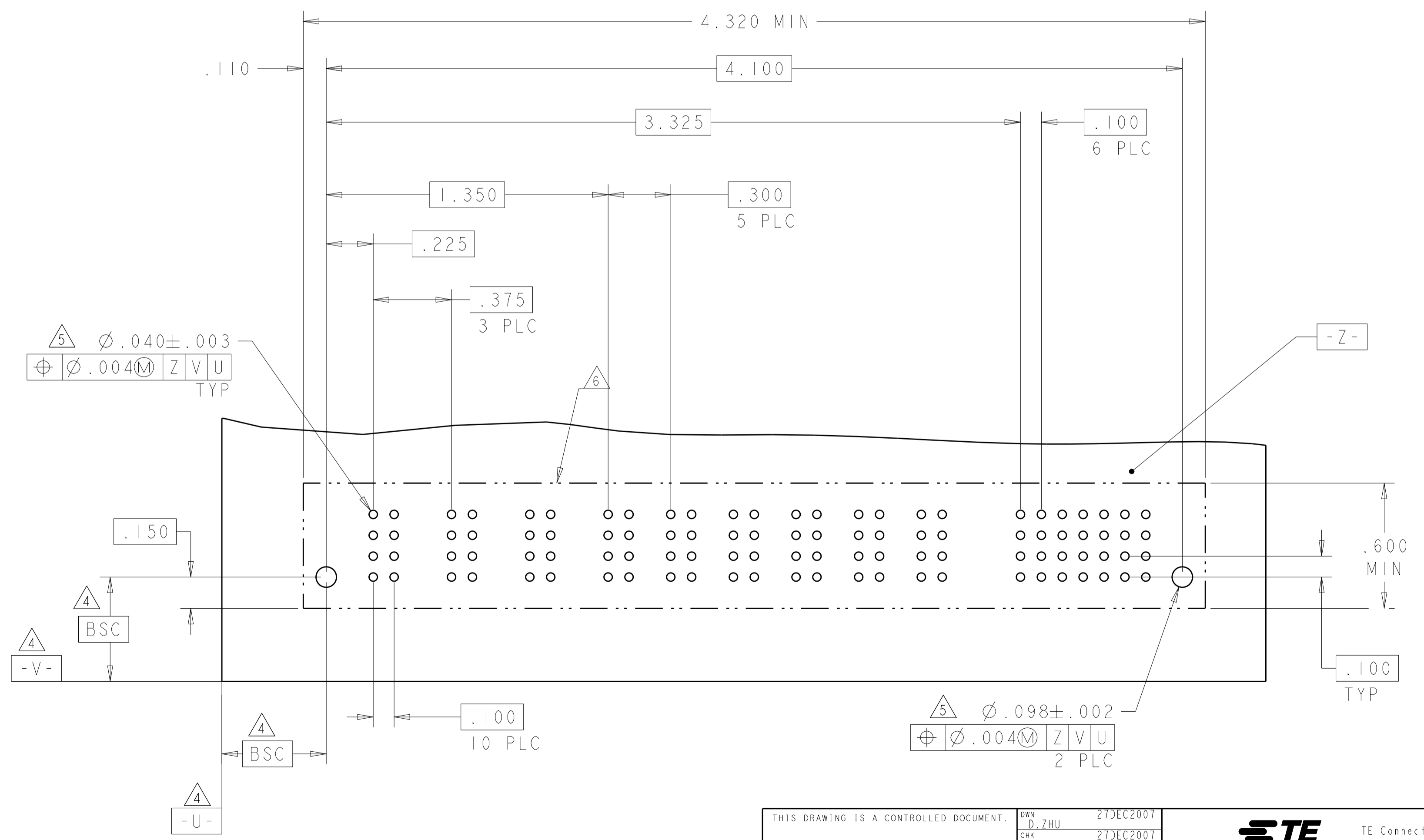
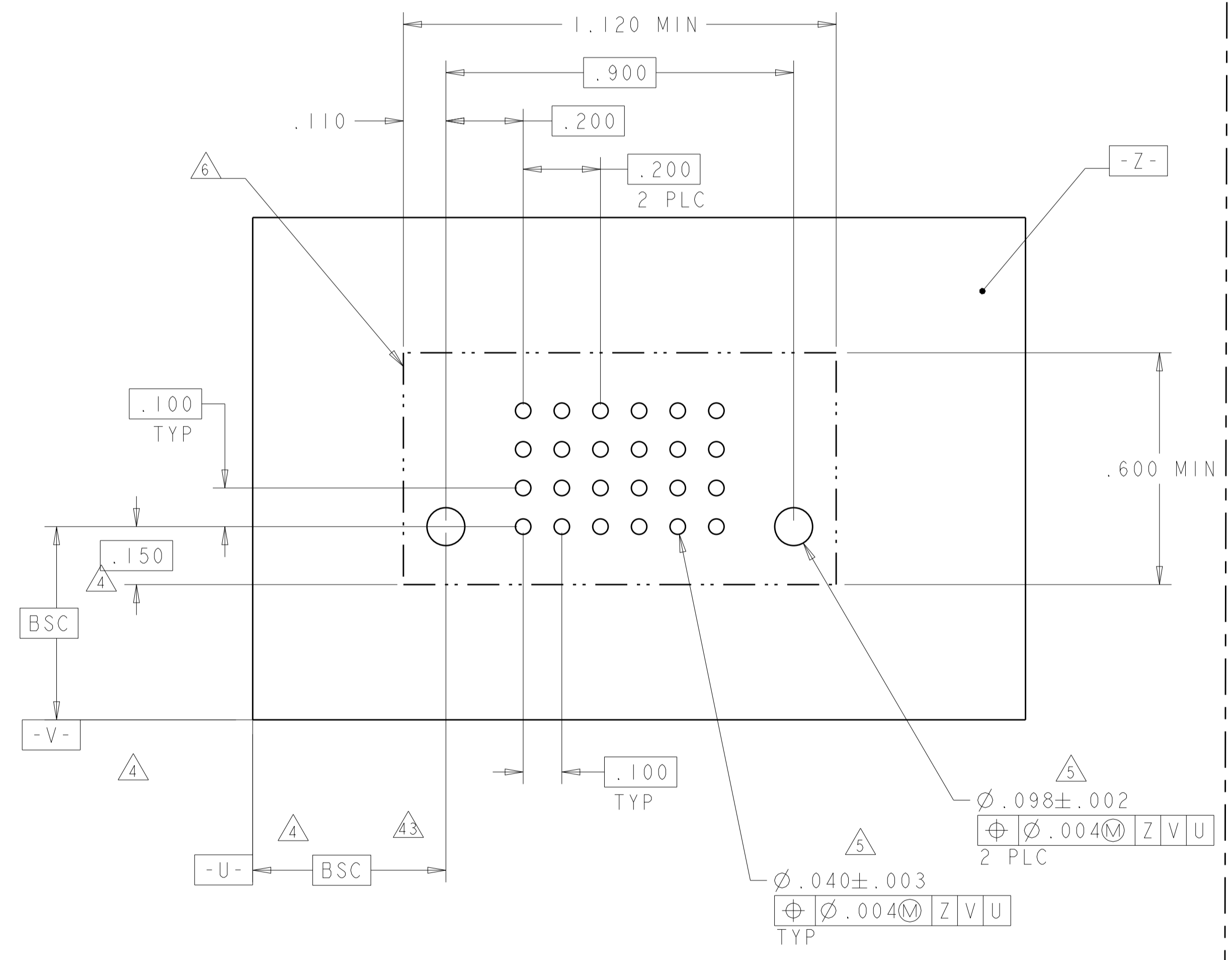
PART NUMBER	ROWS	POWER			HD
		P1	P2	P3	
6450810-8	D	SZ	SZ	SZ	HD
	C				
	B				
	A				
3HDP					

PART NUMBER	ROWS	POWER										SIGNAL							HD
		P1	P2	P3	P4	P5	P6	P7	P8	P9	P10	1	2	3	4	5	6	7	
6450810-9	D	SZ	SZ	SZ	SZ	SZ	SZ	SZ	SZ	SZ	SZ	SV	SV	SV	SV	SV	SV	SV	
	C																		
	B																		
	A																		
10P + 28S																			

NO CONTACT LOADED

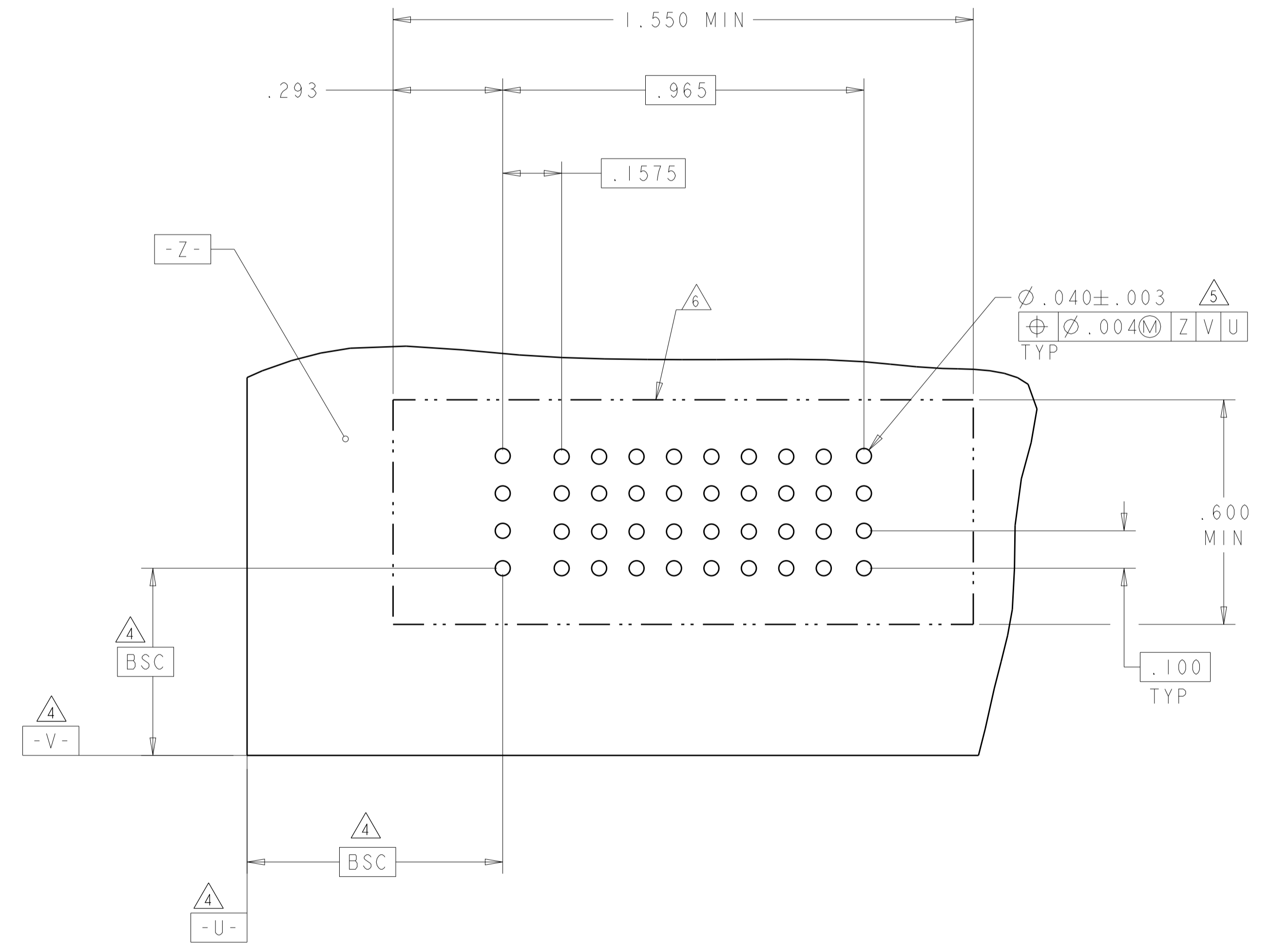
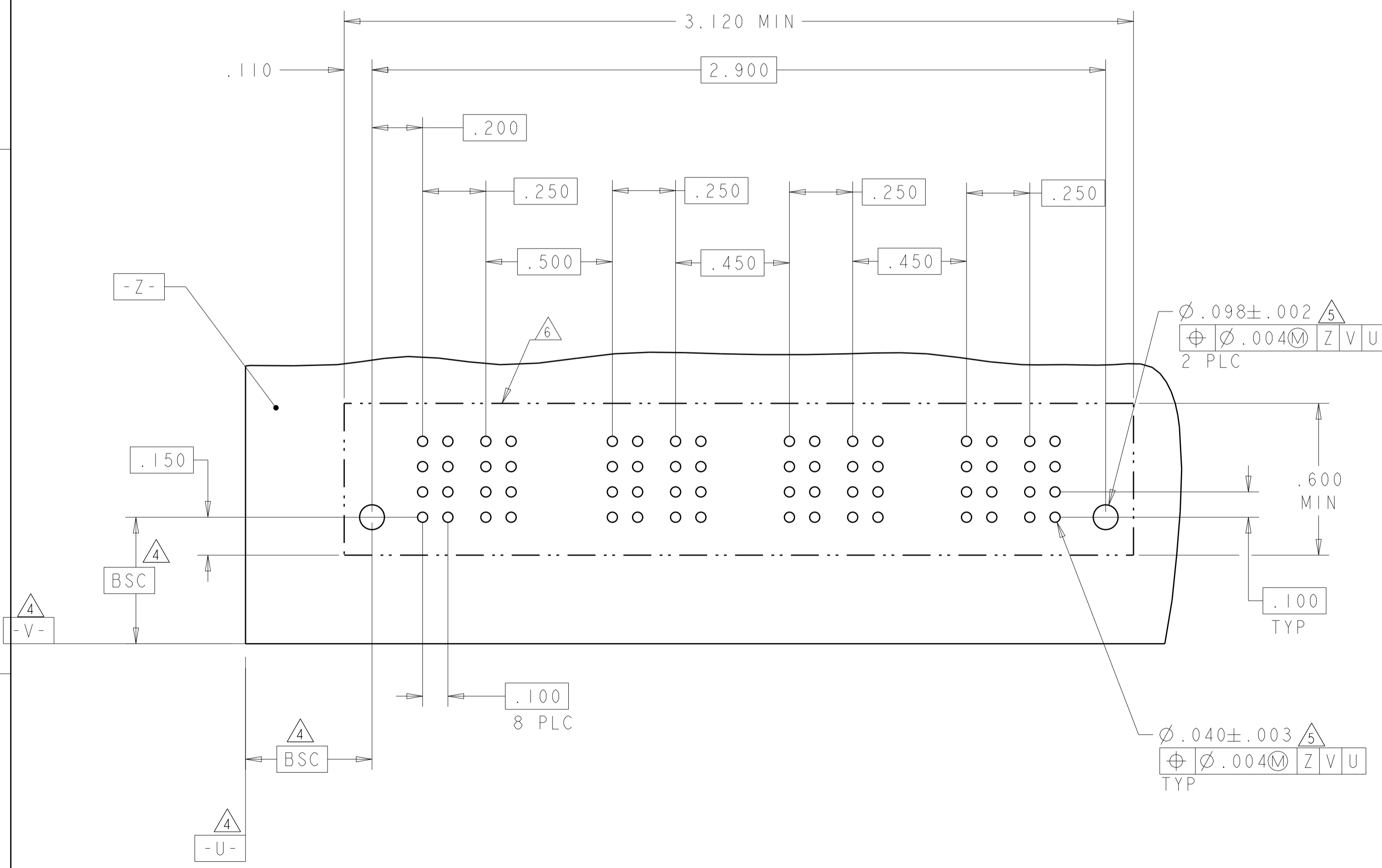
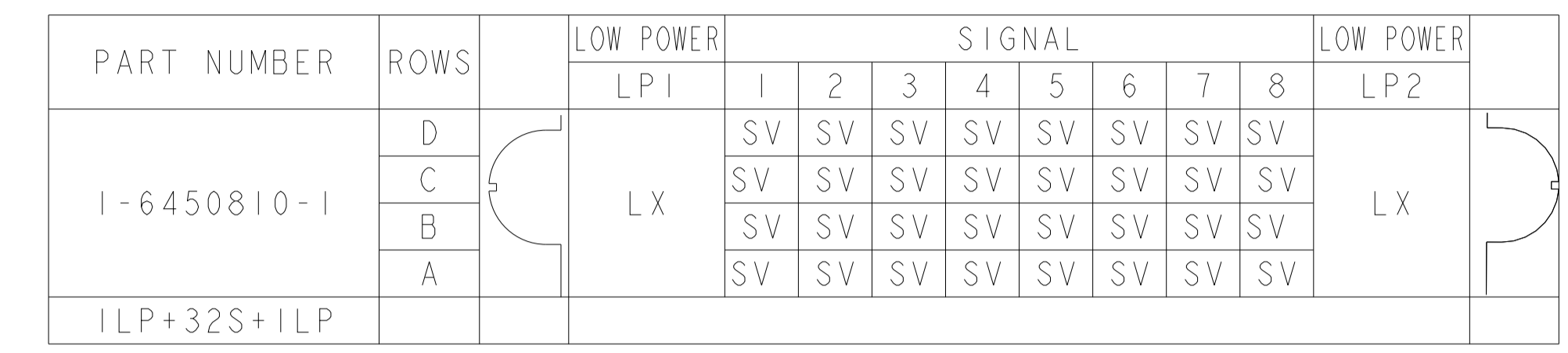
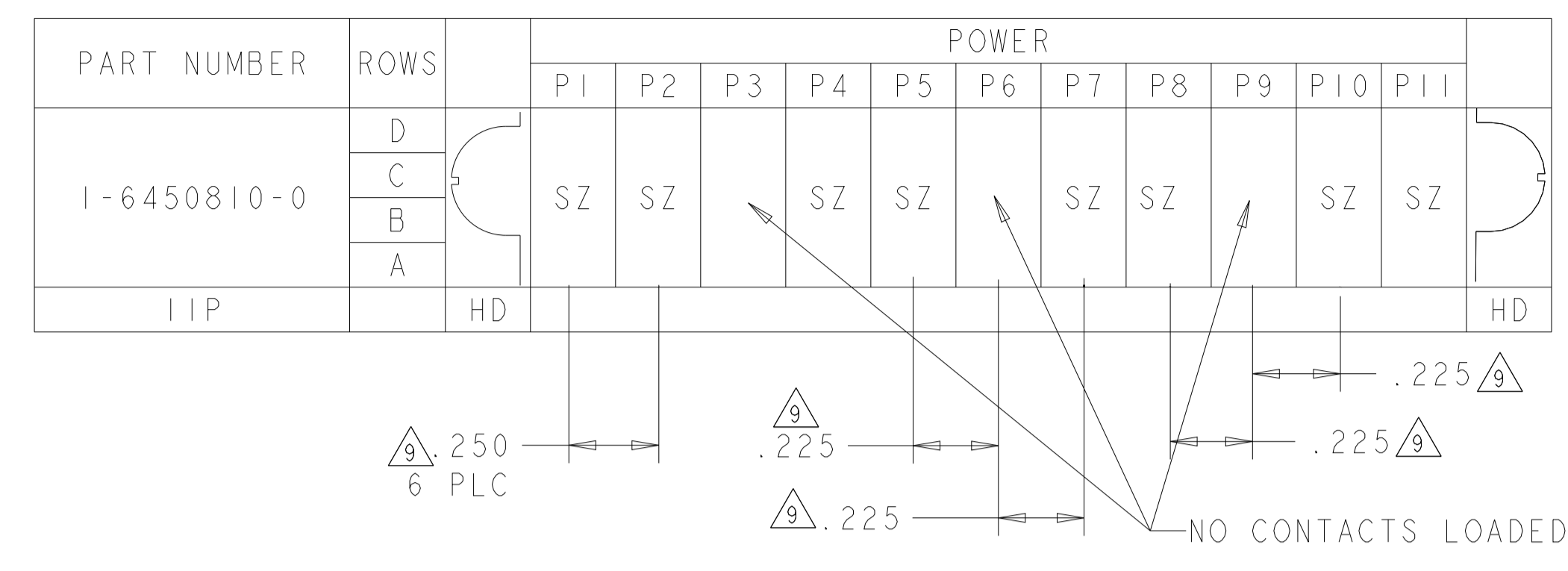


NO CONTACT LOADED



THIS DRAWING IS A CONTROLLED DOCUMENT.		OWN: D. ZHU	27DEC2007		TE Connectivity
DIMENSIONS: INCHES		CHK: S. ZHAO	27DEC2007		NAME: VERTICAL HEADER W/ DUIDES SOLDER TYPE CONTACT, MULTI-BEAM XLE
TOLERANCES UNLESS OTHERWISE SPECIFIED:		APVD: S. ZHAO	27DEC2007	PRODUCT SPEC: 108-2292	
0 PLC ± .01		APPLICATION SPEC: 114-13251		SIZE: A100779	
1 PLC ± .01		WEIGHT: -		CAGE CODE: 6450810	
2 PLC ± .01		RESTRICTED TO: -		SCALE: 4:1	
3 PLC ± .005		Customer Drawing		SHEET 8 OF 10	
4 PLC ± .002				REV: D2	
ANGLES ± .020					
FINISH: -					

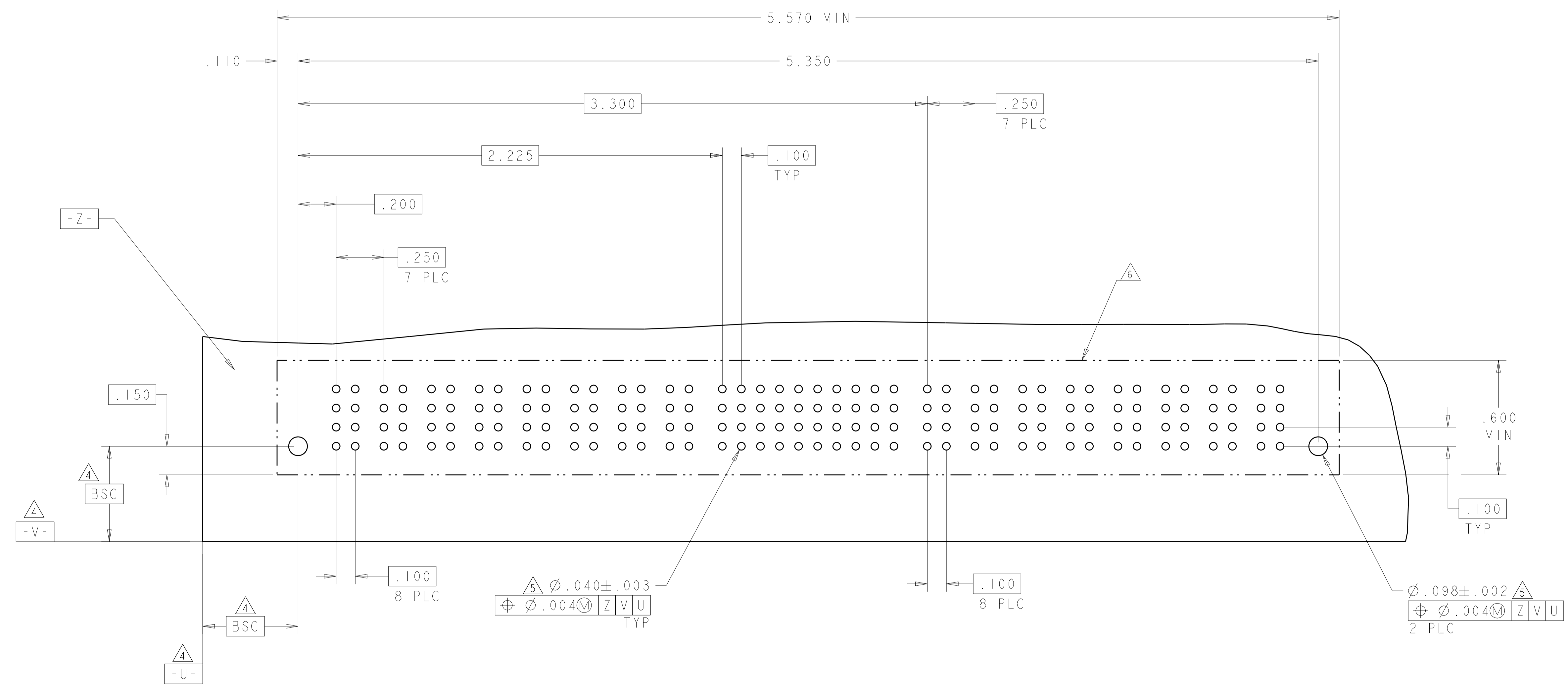
LOC		DIST		REVISIONS			
P	LTN	DESCRIPTION	DATE	DMN	APVD		
-	-	SEE SHEET 1	-	-	-		



THIS DRAWING IS A CONTROLLED DOCUMENT.		DMN D. ZHU 27DEC2007	TE Connectivity
DIMENSIONS: INCHES		CHK S. ZHAO 27DEC2007	
TOLERANCES UNLESS OTHERWISE SPECIFIED: 0 PLC ±. 1 PLC ±.01 2 PLC ±.01 3 PLC ±.005 4 PLC ±.0020 ANGLES ±.020 FINISH		APVD S. ZHAO 27DEC2007 PRODUCT SPEC 108-2292 APPLICATION SPEC 114-13251 WEIGHT Customer Drawing	NAME VERTICAL HEADER W/ DUIDES SOLDER TYPE CONTACT, MULTI-BEAM XLE SIZE CAGE CODE DRAWING NO A100779C=6450810 RESTRICTED TO
MATERIAL		SCALE 4:1	SHEET 9 OF 10 REV D2

LOC	DIST	REVISIONS			
P	LTN	DESCRIPTION	DATE	DMN	APVD
-	-	SEE SHEET 1	-	-	-

PART NUMBER	ROWS	POWER								SIGNAL										POWER							
		P1	P2	P3	P4	P5	P6	P7	P8	1	2	3	4	5	6	7	8	9	10	P8	P10	P11	P12	P13	P14	P15	P16
I-6450810-2	D		SZ	SZ	SZ	SZ	SZ	SZ	SZ	SV	SV	SV	SV	SV	SV	SV	SV	SV	SV	SZ	SZ	SZ	SZ	SZ	SZ	SZ	SZ
	SV									SV	SV	SV	SV	SV	SV	SV	SV	SV									
	SV									SV	SV	SV	SV	SV	SV	SV	SV	SV									
	SV									SV	SV	SV	SV	SV	SV	SV	SV	SV									
8P+40S+8P	HD																									HD	



THIS DRAWING IS A CONTROLLED DOCUMENT.

DIMENSIONS: INCHES	TOLERANCES UNLESS OTHERWISE SPECIFIED:	0 PLC ± .010	1 PLC ± .008	2 PLC ± .005	3 PLC ± .003	4 PLC ± .0020	ANGLES ± .2°
--------------------	--	--------------	--------------	--------------	--------------	---------------	--------------

OWN: D. ZHU	27DEC2007		TE Connectivity	
CHK: S. ZHAO	27DEC2007			
APVD: S. ZHAO	27DEC2007			
NAME: VERTICAL HEADER W/ DUIDES SOLDER TYPE CONTACT, MULTI-BEAM XLE				
MATERIAL: -	FINISH: -	SIZE: A100779	DRAWING NO: C=6450810	RESTRICTED TO: -
Customer Drawing		SCALE: 4:1	SHEET: 10 OF 10	REV: D2

X-ON Electronics

Largest Supplier of Electrical and Electronic Components

Click to view similar products for [Power to the Board](#) category:

Click to view products by [TE Connectivity](#) manufacturer:

Other Similar products are found below :

[10131318-08512GRLF](#) [6450171-4](#) [6450552-7](#) [6600323-8](#) [6643429-1](#) [6646040-2](#) [6651939-1](#) [6766604-1](#) [120959-1](#) [1393557-2](#) [1393532-2](#)
[1393532-3](#) [1393532-4](#) [1393557-1](#) [1600812-5](#) [1-6450861-2](#) [1645595-1](#) [1743490-1](#) [1744132-7](#) [1761122-1](#) [1766169-1](#) [1766250-1](#) [18362](#)
[1892109-1](#) [1-967627-6](#) [2226808-1](#) [2-6450860-5](#) [2-6450860-6](#) [2-6450870-0](#) [93003-0502](#) [953552-1](#) [1-6450161-4](#) [1-6450850-6](#) [1645526-2](#) [1-](#)
[6600130-0](#) [1743419-1](#) [1766150-1](#) [2005243-2](#) [211110-1](#) [2-6600130-2](#) [TE34-12-16P-F0](#) [5-6450830-6](#) [5646956-4](#) [36662-0005](#) [40585-3000](#) [4-](#)
[6450830-9](#) [4-6600333-3](#) [51142-0214](#) [10134048-911LF](#) [10123159-301LF](#)