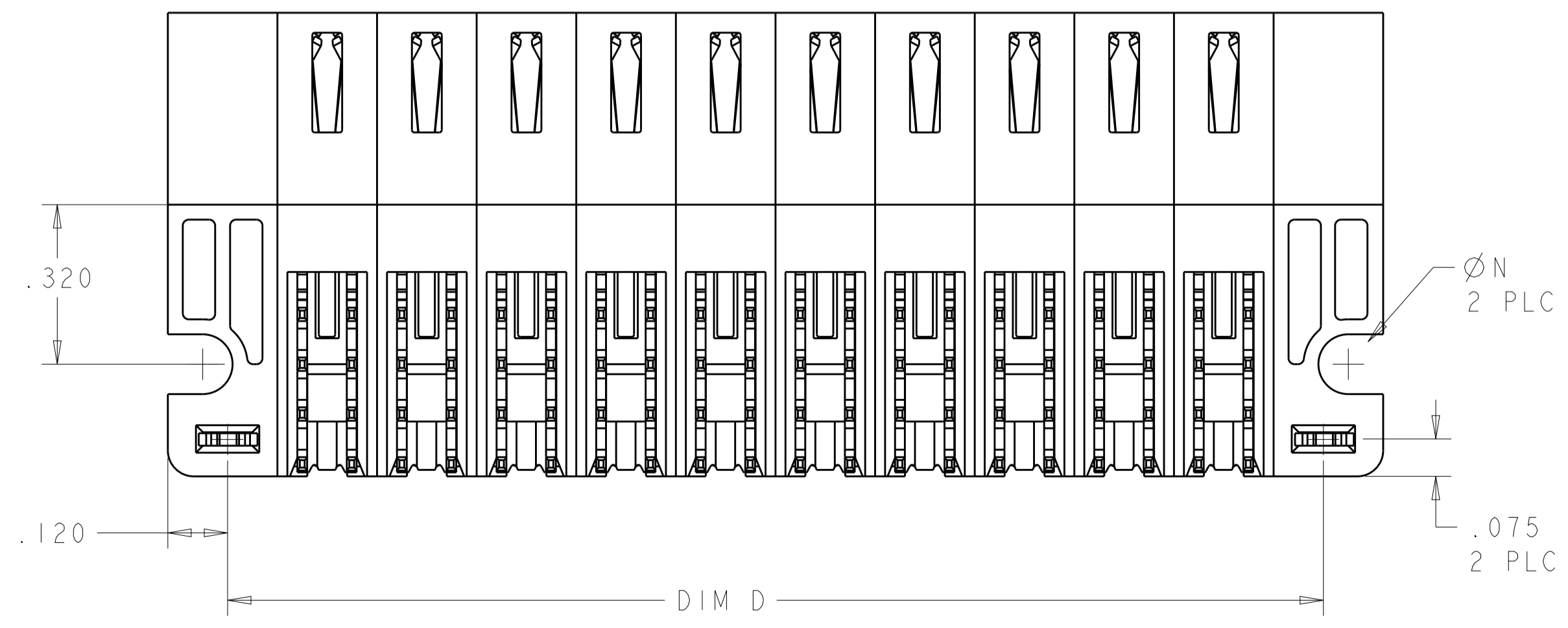
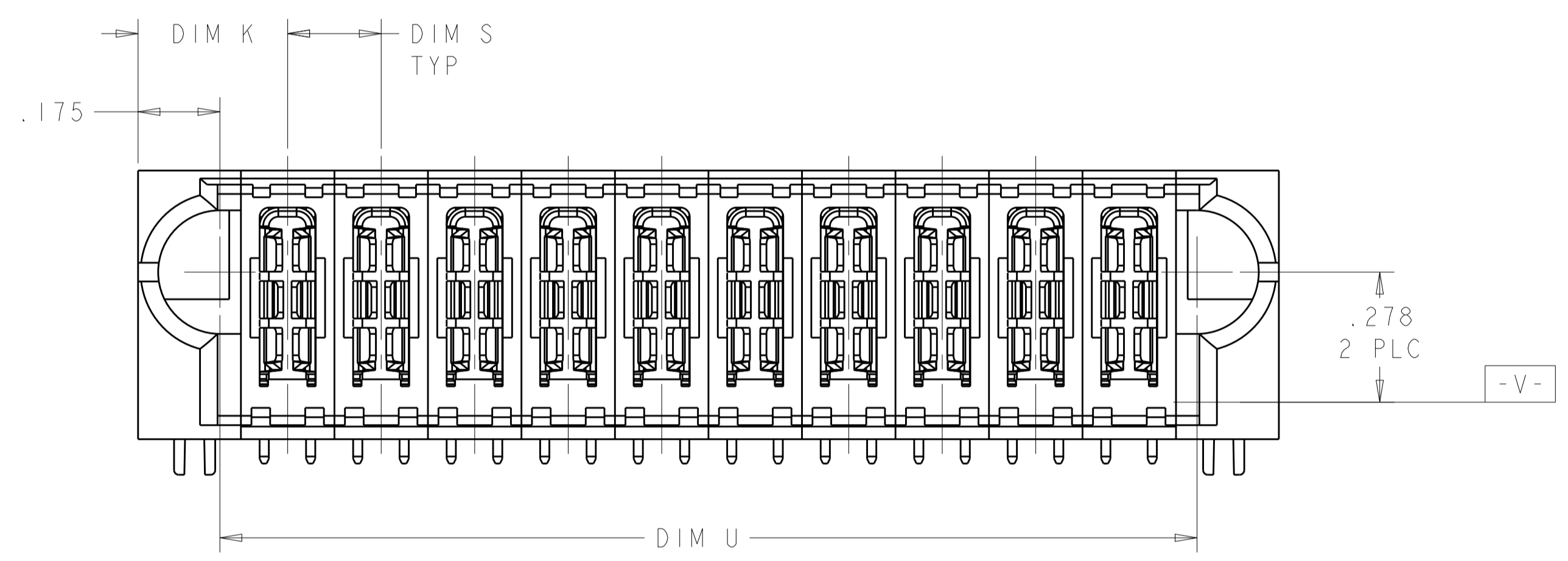
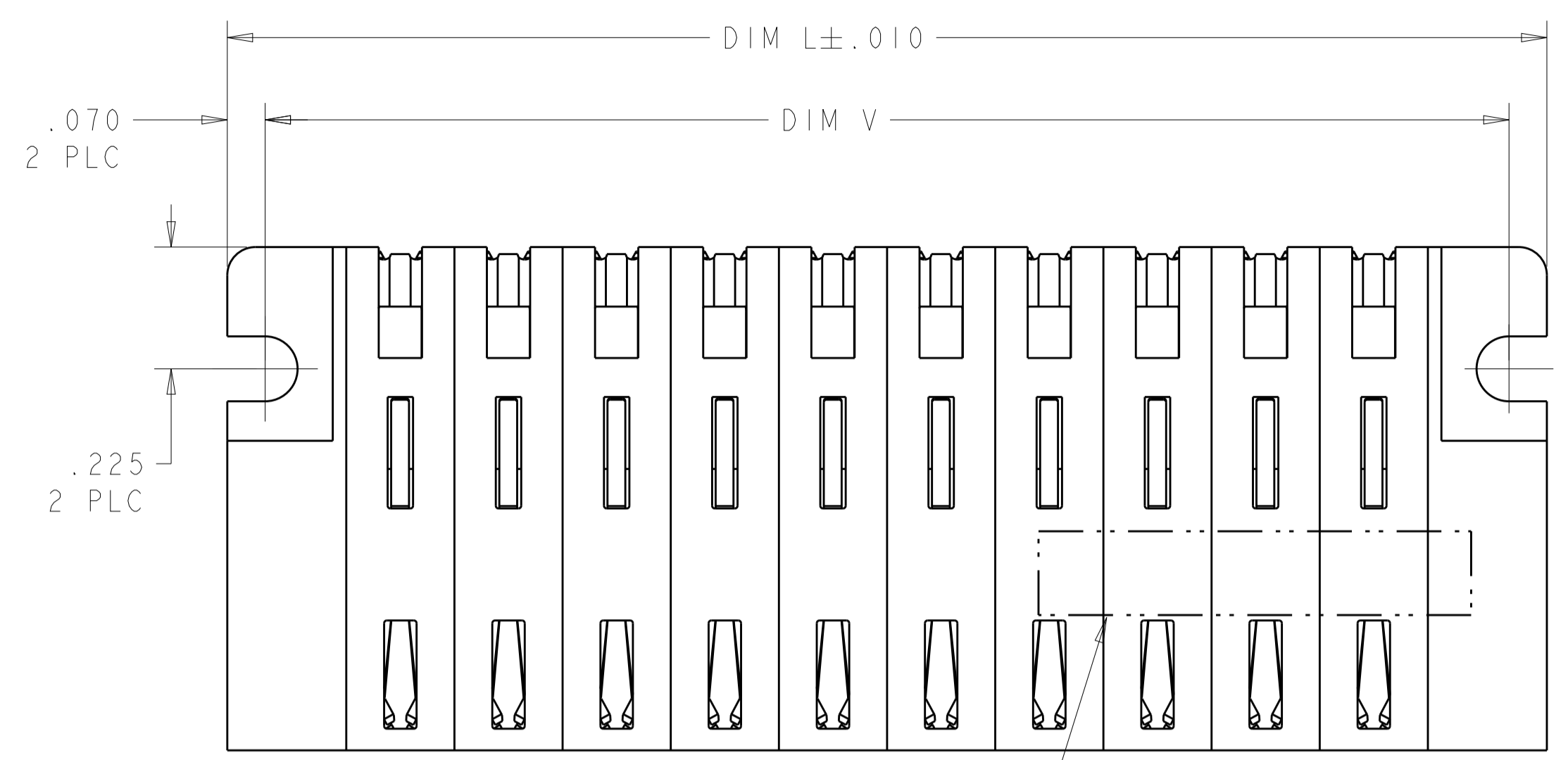
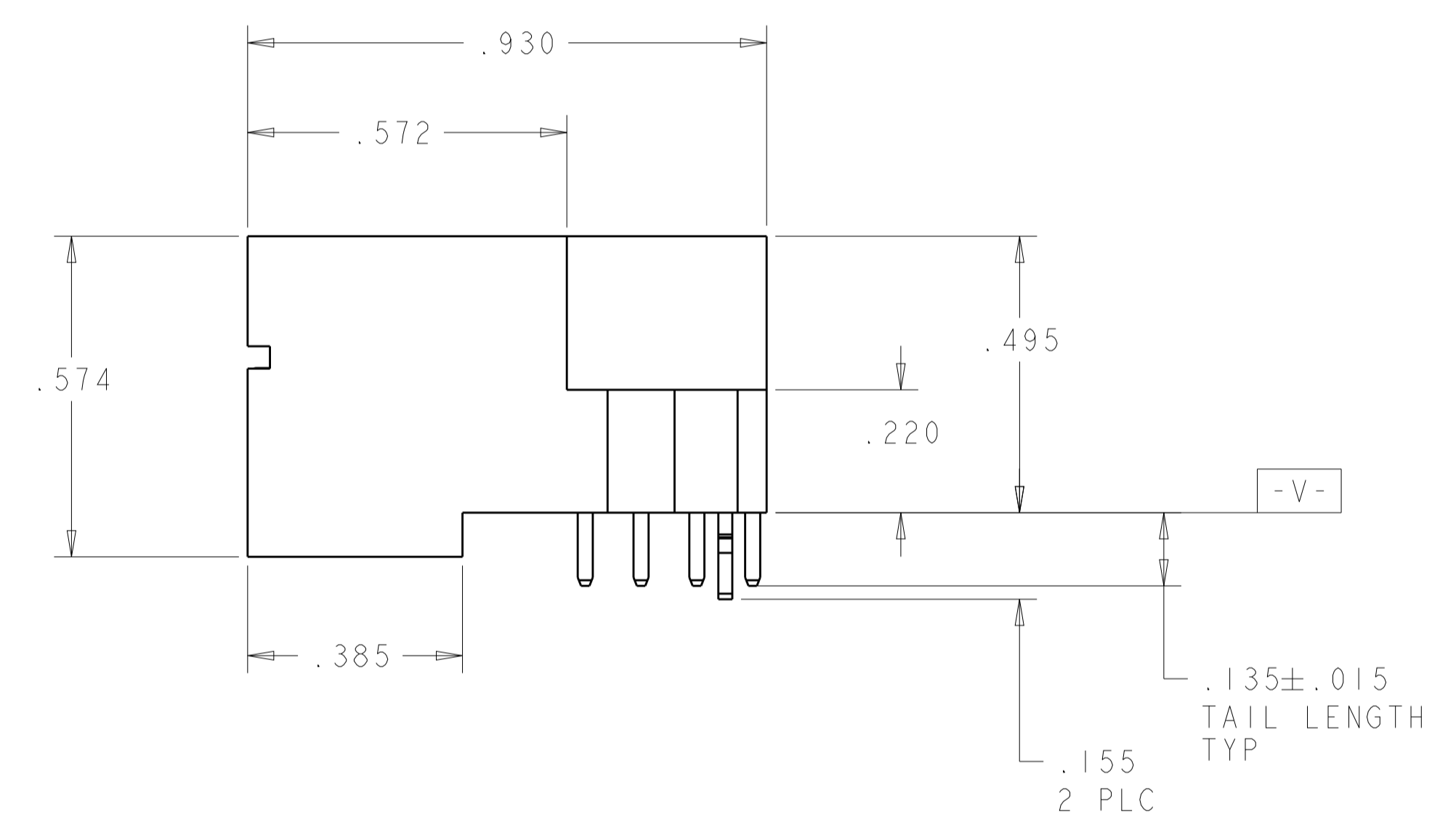


LOC	DIST	REV	DESCRIPTION	DATE	DWN	APVD
ES	00					
		C7	CHANGE DIMENSIONS FOR 1-2	09MAY2014	AL	SZ



- ⚠ "AMP", PART NUMBER, AND DATECODE TO BE MARKED IN AREA SHOWN. PARTS UNDER 2.00 LONG MAY BE MARKED ON BOTH SIDES.
- ⚠ MATERIAL: HOUSING - GLASS FILLED HIGH TEMP THERMO PLASTIC, BLACK, UL94 V-0
 SIGNAL CONTACT - COPPER ALLOY
 POWER CONTACT - HIGH CONDUCTIVITY COPPER ALLOY)
- ⚠ CONTACT PLATING: NOBLE METAL PLATING ON CONTACT FUNCTIONAL AREA OF POWER AND SIGNAL CONTACTS
- ⚠ MECHANICAL CONNECTOR KEEP OUT ZONE.
- ⚠ DATUM AND BASIC DIMENSIONS ESTABLISHED BY CUSTOMER.
- ⚠ PCB - HOLE DIAMETERS ARE FINISHED HOLE SIZE.
- ⚠ PCB - .0453±.0010 DRILLED HOLES PLATED WITH .0003 MIN Sn OVER .001 TO .003 Cu PLATING TO ACHIEVE A .040 DIA HOLE.
- ⚠ FOR CONFIGURATION "LP+S" , PLEASE REFER TO VARIABLE DIMENSIONS ON PART VIEW.



DIM N	DIM S	DIM L	DIM V	DIM U	DIM D	DIM K	DESCRIPTION	PART NUMBER
.120	.375	2.990	2.850	2.640	2.750	.370	7ACP	1-6450833-2
.120	⚠	2.930	2.790	2.580	2.690	.2775 ⚠	6LP + 8S	1-6450833-1
.120	.250	2.690	2.550	2.340	2.450	.345	9P	1-6450833-0
.120	.375	1.815	1.675	1.465	1.575	.345	4P	6450833-9
.120	.300	1.290	1.150	.940	1.050	.345	3ACP	6450833-8
.120	.300	2.540	2.400	2.190	2.300	.370	7ACP	6450833-7
.120	.250	2.440	2.300	2.090	2.200	.345	8P	6450833-6
.120	.200	1.690	1.550	1.340	1.450	.345	6HDP	6450833-5
.120	.200	4.440	4.300	4.090	4.200	.320	20P	6450833-4
.120	.200	1.640	1.500	1.290	1.400	.320	6P	6450833-3
.120	.250	1.440	1.300	1.090	1.200	.325	4P	6450833-2
.120	.200	2.440	2.300	2.090	2.200	.320	10P	6450833-1

THIS DRAWING IS A CONTROLLED DOCUMENT.

DIMENSIONS: INCHES

TOLERANCES UNLESS OTHERWISE SPECIFIED:

0 PLC	±.005
1 PLC	±.01
2 PLC	±.015
3 PLC	±.02
4 PLC	±.025
ANGLES	±.0020

MATERIAL: ⚠

FINISH: ⚠

DATE: 04AUG2009

CHK: S. ZHAO

APVD: S. ZHAO

NAME: S. ZHAO

PRODUCT SPEC: 108-2292

APPLICATION SPEC: 114-13251

WEIGHT: -

CUSTOMER DRAWING

SCALE: 2:1

SHEET: 1 OF 7

REV: C7

TE Connectivity

RIGHT ANGLE HEADER ASSEMBLY W/ P AND SHORT END MODULES MULTI-BEAM XLE

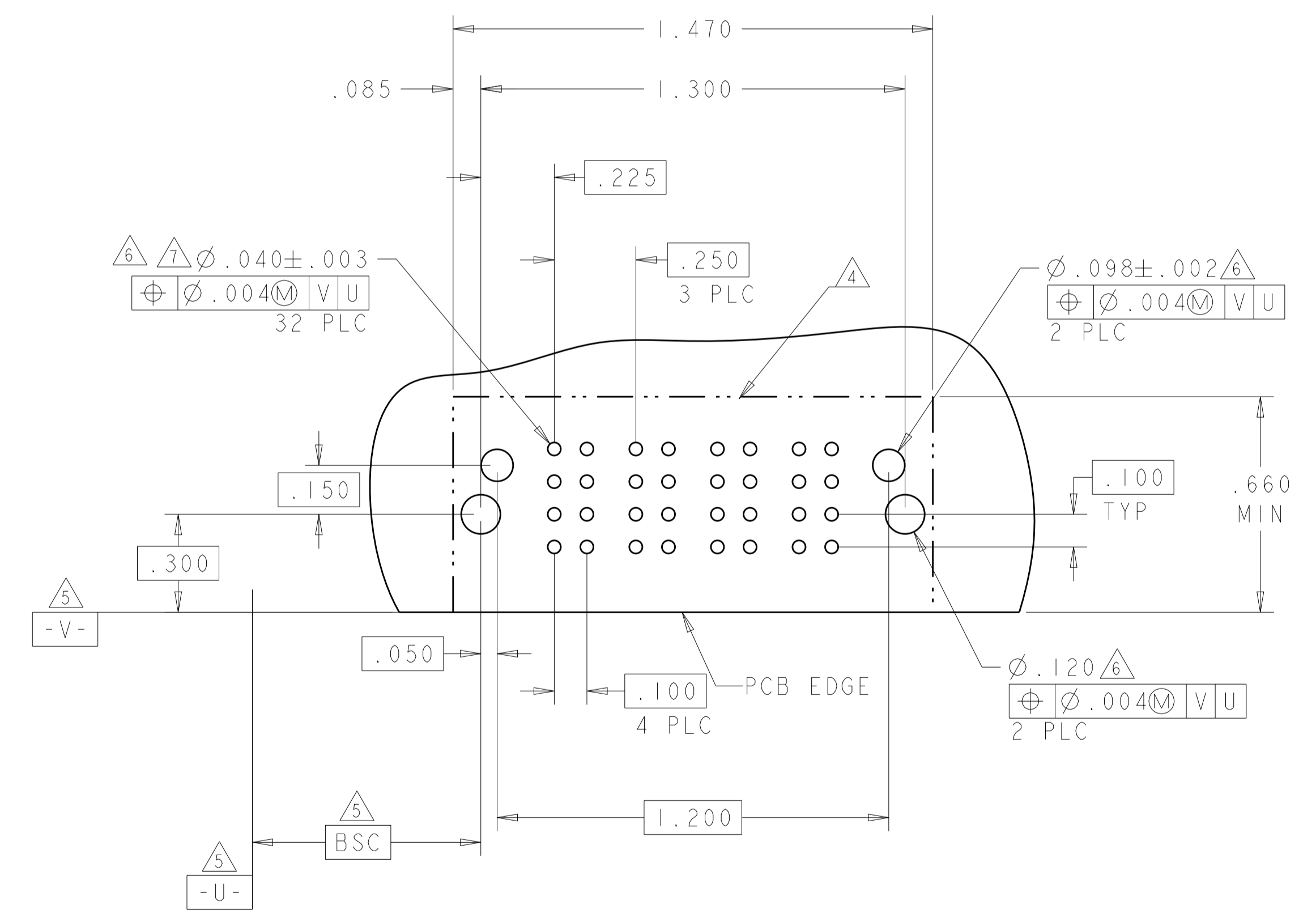
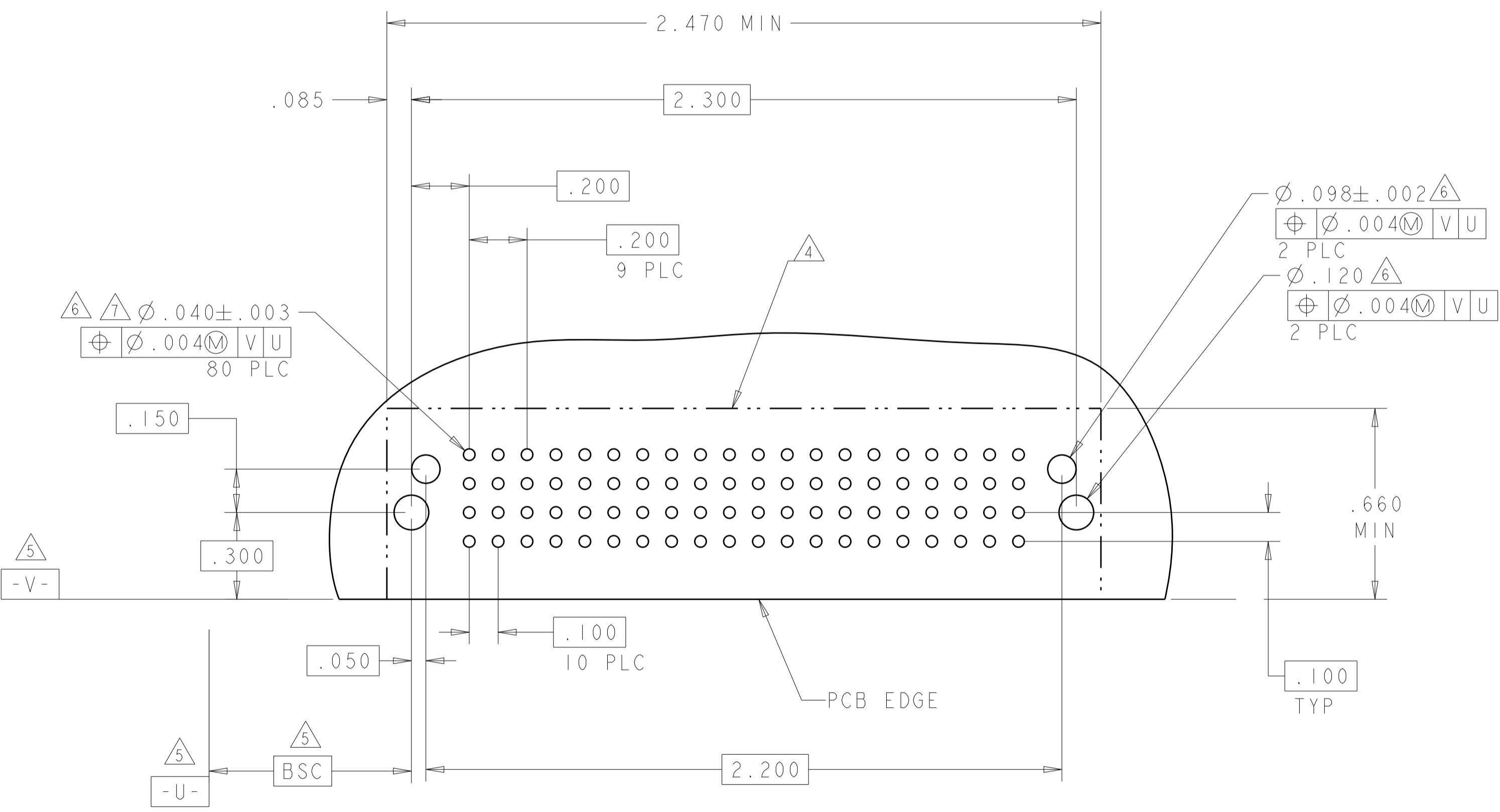
SIZE: A1

CAGE CODE: 6450833

LOC	DIST	REVISIONS			
P	LTN	DESCRIPTION	DATE	DMN	APVD
-	-	SEE SHEET 1	-	-	-

PART NUMBER	ROWS	POWER										
		P1	P2	P3	P4	P5	P6	P7	P8	P9	P10	
6450833-1	D											HD
	C	TM	TM	TM	TM	TM	TM	TM	TM	TM		
	B											
	A	HD										
10P												

PART NUMBER	ROWS	POWER				
		P1	P2	P3	P4	
6450833-2	D					HD
	C	TM	TM	TM	TM	
	B					
	A	HD				
4P						



HOLD DOWN	HD
.135 SOLDER LOW POWER, MFBL	LMF
.135 SOLDER LOW POWER, STD	LM
.135 SOLDER POWER	TM
DESCRIPTION	IDENTIFIER

THIS DRAWING IS A CONTROLLED DOCUMENT.

DIMENSIONS:	TOLERANCES UNLESS OTHERWISE SPECIFIED:	DMN	04AUG2009
INCHES	0 PLC ± .01	CHK	S. ZHAO
	1 PLC ± .01	APVD	S. ZHAO
	2 PLC ± .01	NAME	RIGHT ANGLE HEADER ASSEMBLY
	3 PLC ± .005	PRODUCT SPEC	W/ P AND SHORT END MODULES
	4 PLC ± .002	APPLICATION SPEC	MULTI-BEAM XLE
	ANGLES ± .020	SIZE	CAGE CODE DRAWING NO
MATERIAL	FINISH	RESTRICTED TO	
		SCALE	2:1
		SHEET	2 OF 7
		REV	C7

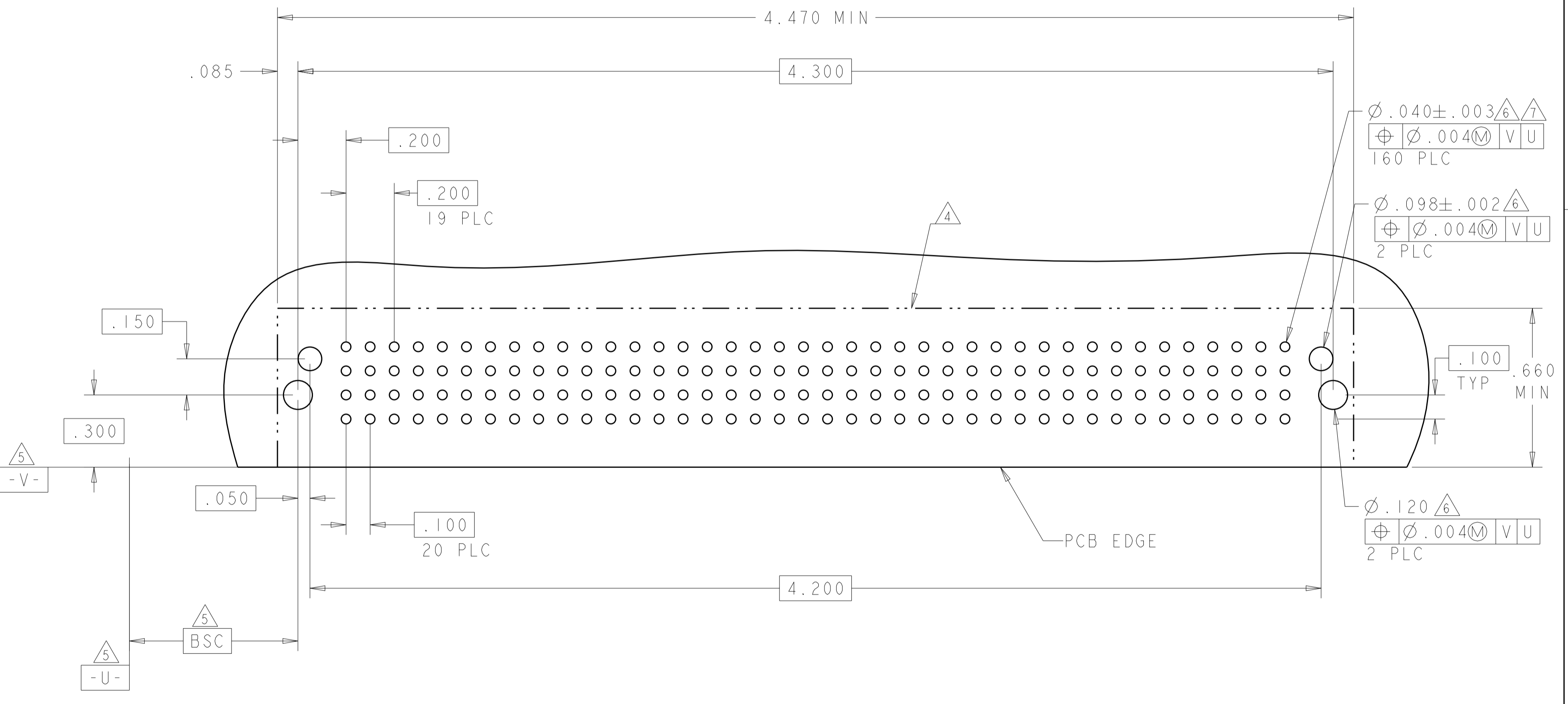
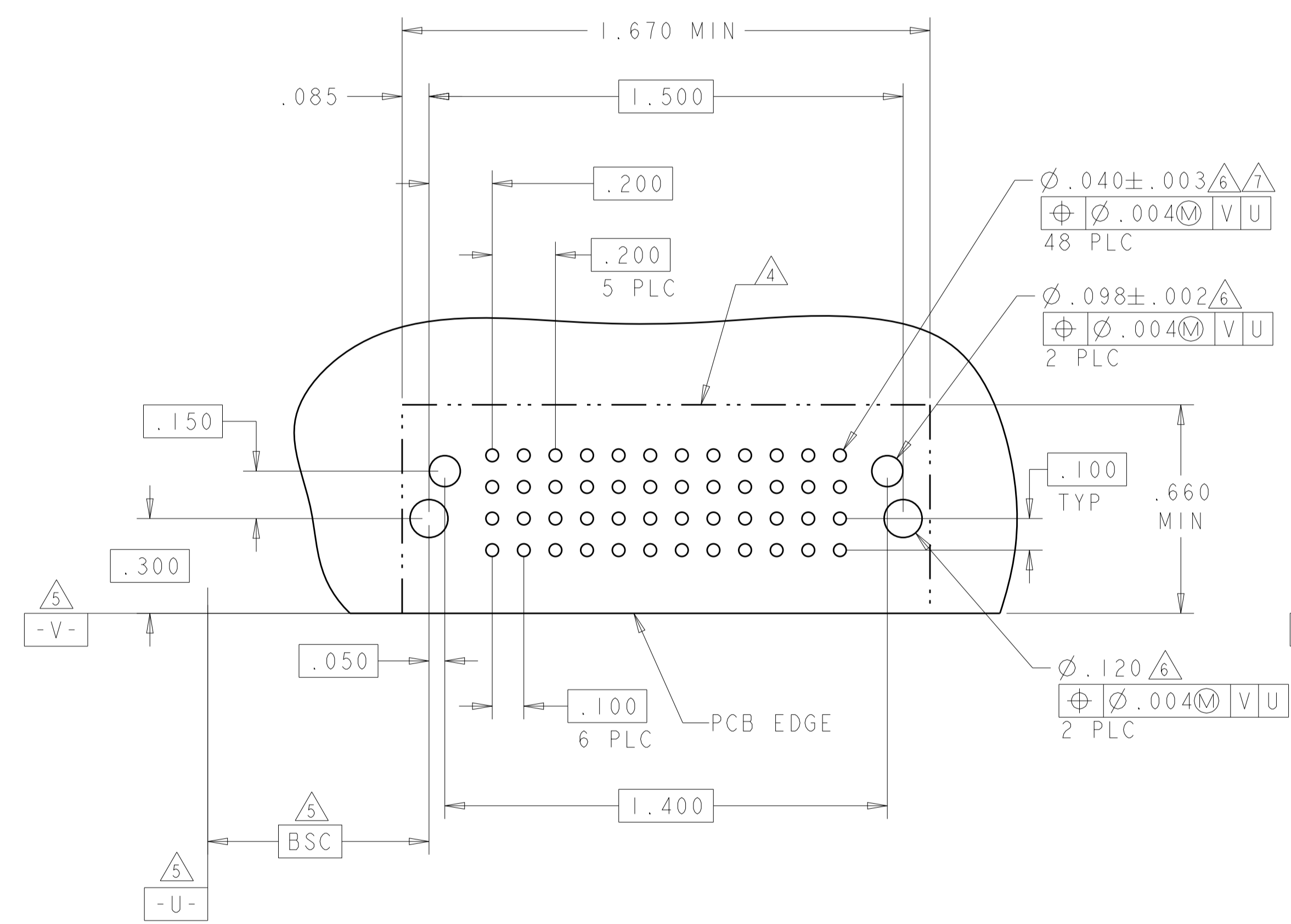
STE TE Connectivity

100779-6450833

LOC	DIST	REVISIONS			
P	LTN	DESCRIPTION	DATE	DMN	APVD
-	-	SEE SHEET 1	-	-	-

PART NUMBER	ROWS	POWER					
		P1	P2	P3	P4	P5	P6
6450833-3	D		TM	TM	TM	TM	TM
	C						
	B						
	A						
6P	HD						HD

PART NUMBER	ROWS	POWER																			
		P1	P2	P3	P4	P5	P6	P7	P8	P9	P10	P11	P12	P13	P14	P15	P16	P17	P18	P19	P20
6450833-4	D		TM	TM	TM	TM	TM	TM	TM	TM	TM	TM	TM	TM	TM	TM	TM	TM	TM	TM	TM
	C																				
	B																				
	A																				
20P	HD																				



THIS DRAWING IS A CONTROLLED DOCUMENT.

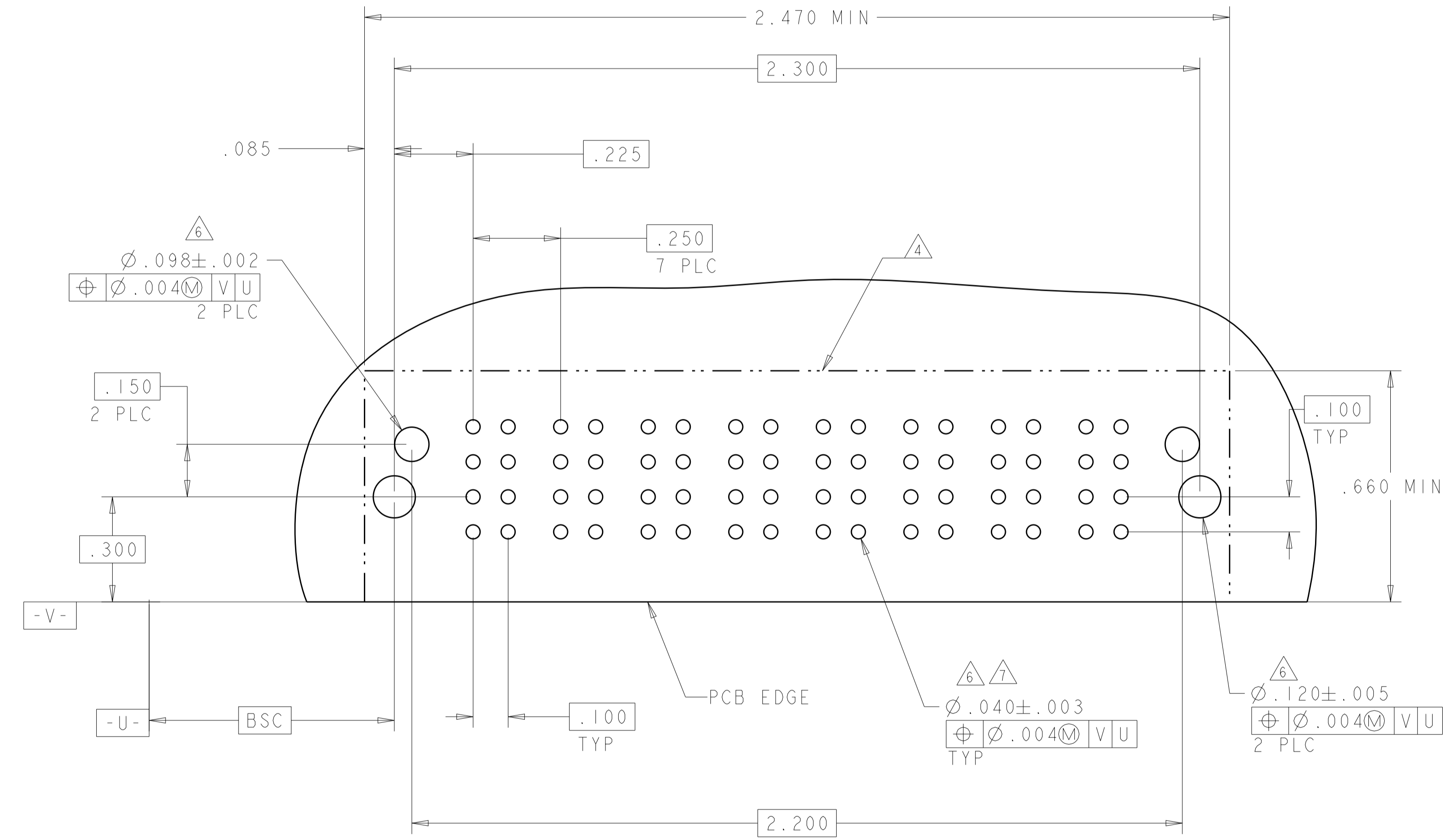
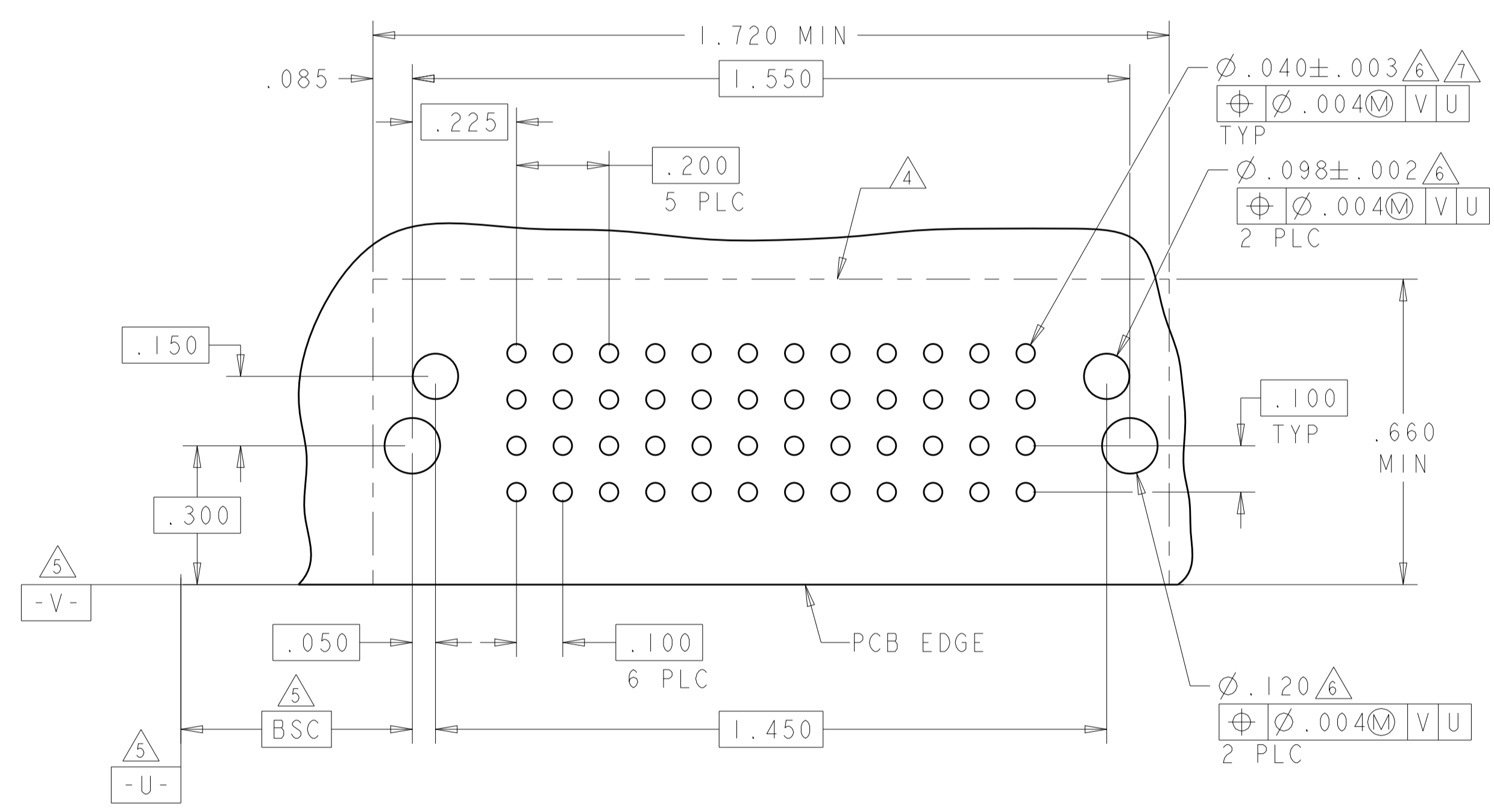
DIMENSIONS:	TOLERANCES UNLESS OTHERWISE SPECIFIED:	DMN	C. ZHOU	04AUG2009
INCHES	0 PLC ± .01	CHK	S. ZHAO	04AUG2009
	1 PLC ± .01	APVD	S. ZHAO	-
	2 PLC ± .01	NAME	RIGHT ANGLE HEADER ASSEMBLY	
	3 PLC ± .005	PRODUCT SPEC	W/ P AND SHORT END MODULES	
	4 PLC ± .0020	APPLICATION SPEC	MULTI-BEAM XLE	
	ANGLES ± 0.2°	SIZE	CAGE CODE	DRAWING NO
MATERIAL	FINISH	114-13251	A100779	C=6450833
		WEIGHT		
		CUSTOMER DRAWING	SCALE	2:1
			SHEET	3 OF 7
			REV	7

STE TE Connectivity

LOC	DIST	REVISIONS			
P	LTN	DESCRIPTION	DATE	DMN	APVD
ES	00	SEE SHEET 1			

PART NUMBER	ROWS	POWER					
		P1	P2	P3	P4	P5	P6
6450833-5	D C B A	TM	TM	TM	TM	TM	TM
6HDP		HD					HD

PART NUMBER	ROWS	POWER							
		P1	P2	P3	P4	P5	P6	P7	P8
6450833-6	D C B A	TM	TM	TM	TM	TM	TM	TM	TM
8P		HD							HD



THIS DRAWING IS A CONTROLLED DOCUMENT.

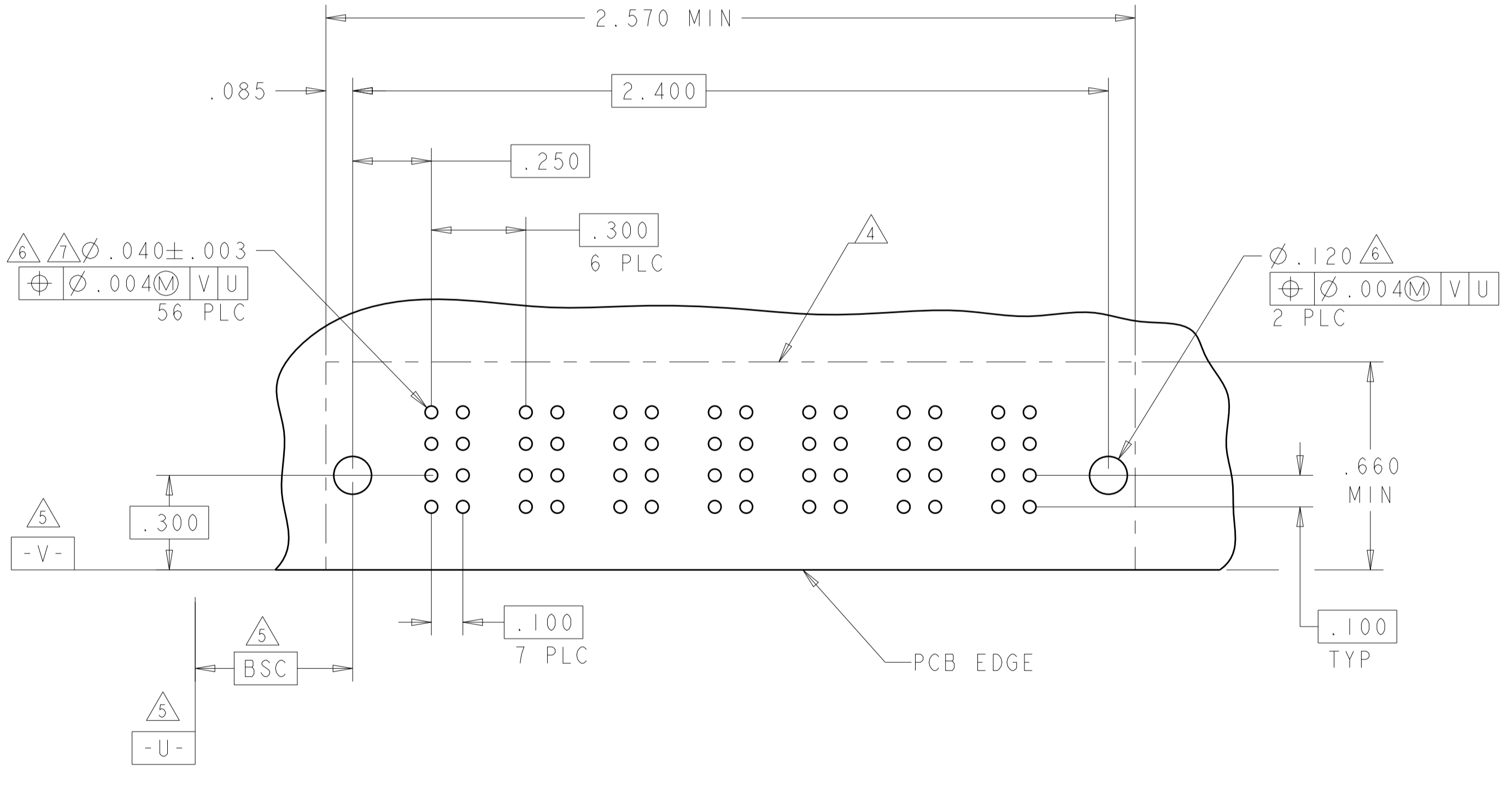
DIMENSIONS: INCHES	TOLERANCES UNLESS OTHERWISE SPECIFIED: 0 PLC ±. 1 PLC ±.01 2 PLC ±.01 3 PLC ±.01 4 PLC ±.005 5 PLC ±.005 6 PLC ±.002 ANGLES ±.020	DMN C. ZHOU CHK S. ZHAO APVD S. ZHAO	04AUG2009 04AUG2009	 TE Connectivity	NAME RIGHT ANGLE HEADER ASSEMBLY W/ P AND SHORT END MODULES MULTI-BEAM XLE
MATERIAL	FINISH	PRODUCT SPEC 108-2292	APPLICATION SPEC 114-13251		SIZE A1
CUSTOMER DRAWING		SCALE 2:1		SHEET 4 OF 7	

REV 7

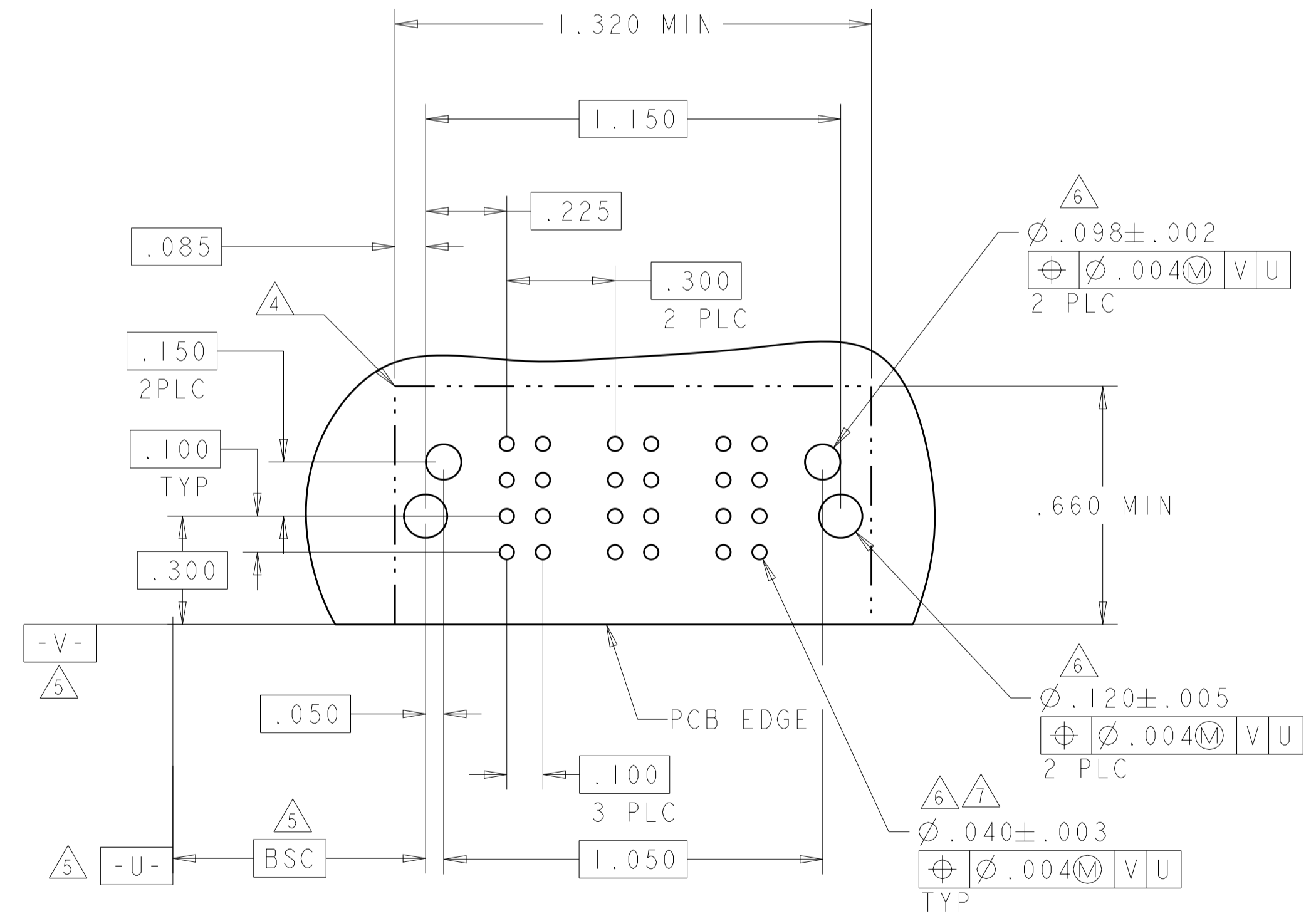
LOC	DIST	REVISIONS			
P	LTM	DESCRIPTION	DATE	DMN	APVD
ES	00	SEE SHEET 1			

PART NUMBER	ROWS	POWER						
		P1	P2	P3	P4	P5	P6	P7
6450833-7	D C B A	TM	TM	TM	TM	TM	TM	TM
7ACP								

PART NUMBER	ROWS	POWER		
		P1	P2	P3
6450833-8	D			
	C	TM	TM	TM
	B			
	A	HD		HD
3 ACP				



RECOMMENDED PCB LAYOUT



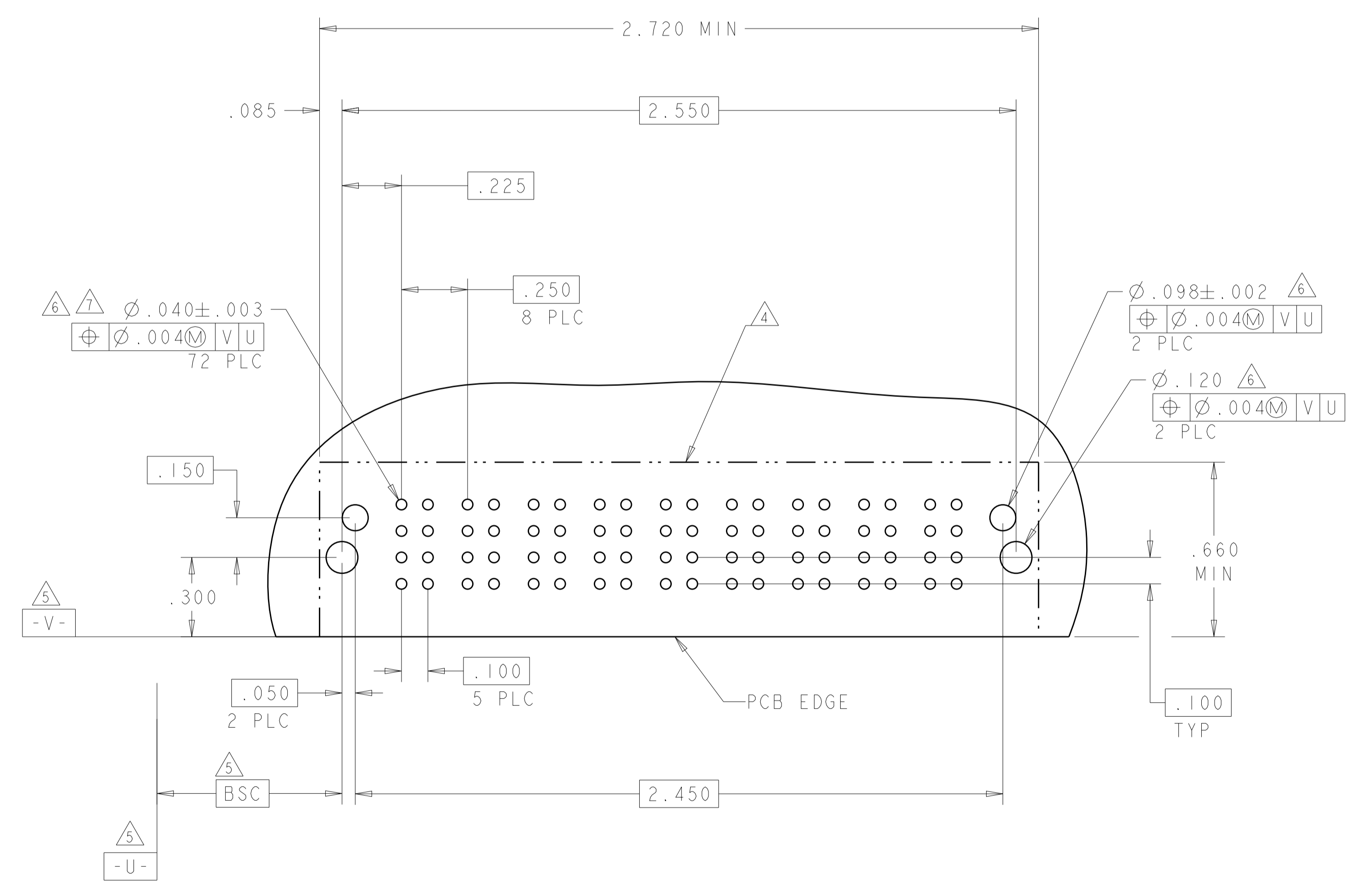
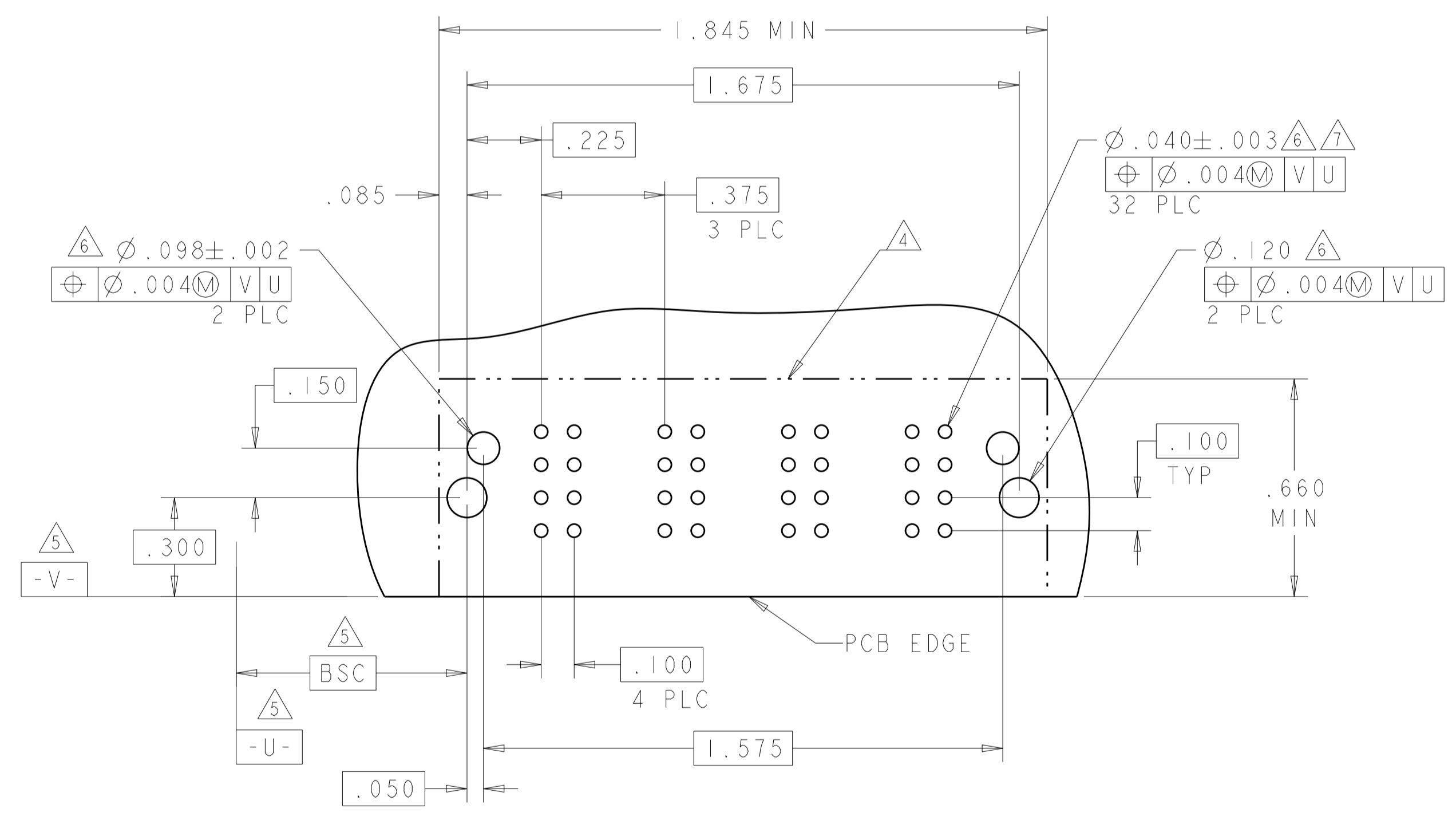
THIS DRAWING IS A CONTROLLED DOCUMENT.		DMN C. ZHOU 04AUG2009	 TE Connectivity
DIMENSIONS: INCHES		CHK S. ZHAO 04AUG2009	
 TOLERANCES UNLESS OTHERWISE SPECIFIED: 0 PLC ±. 1 PLC ±.01 2 PLC ±.01 3 PLC ±.005 4 PLC ±.0020 ANGLES ±.020°		APVD S. ZHAO	NAME RIGHT ANGLE HEADER ASSEMBLY W/ P AND SHORT END MODULES MULTI-BEAM XLE
MATERIAL	FINISH	PRODUCT SPEC 108-2292	RESTRICTED TO
		APPLICATION SPEC 114-13251	SIZE A100779
		WEIGHT	CAGE CODE 6450833
		CUSTOMER DRAWING	SCALE 2:1
			SHEET 5 OF 7
			REV C7

LOC	DIST	REVISIONS			
P	LTN	DESCRIPTION	DATE	DMN	APVD
ES	00	SEE SHEET 1	-	-	-

PART NUMBER	ROWS	POWER			
		P1	P2	P3	P4
6450833-9	D	TM	TM	TM	TM
	C				
	B				
	A				
4P	HD	HD	HD	HD	

PART NUMBER	ROWS	POWER								
		P1	P2	P3	P4	P5	P6	P7	P8	P9
1-6450833-0	D	TM	TM	TM	TM	TM	TM	TM	TM	TM
	C									
	B									
	A									
9P	HD	HD	HD	HD	HD	HD	HD	HD	HD	

C4



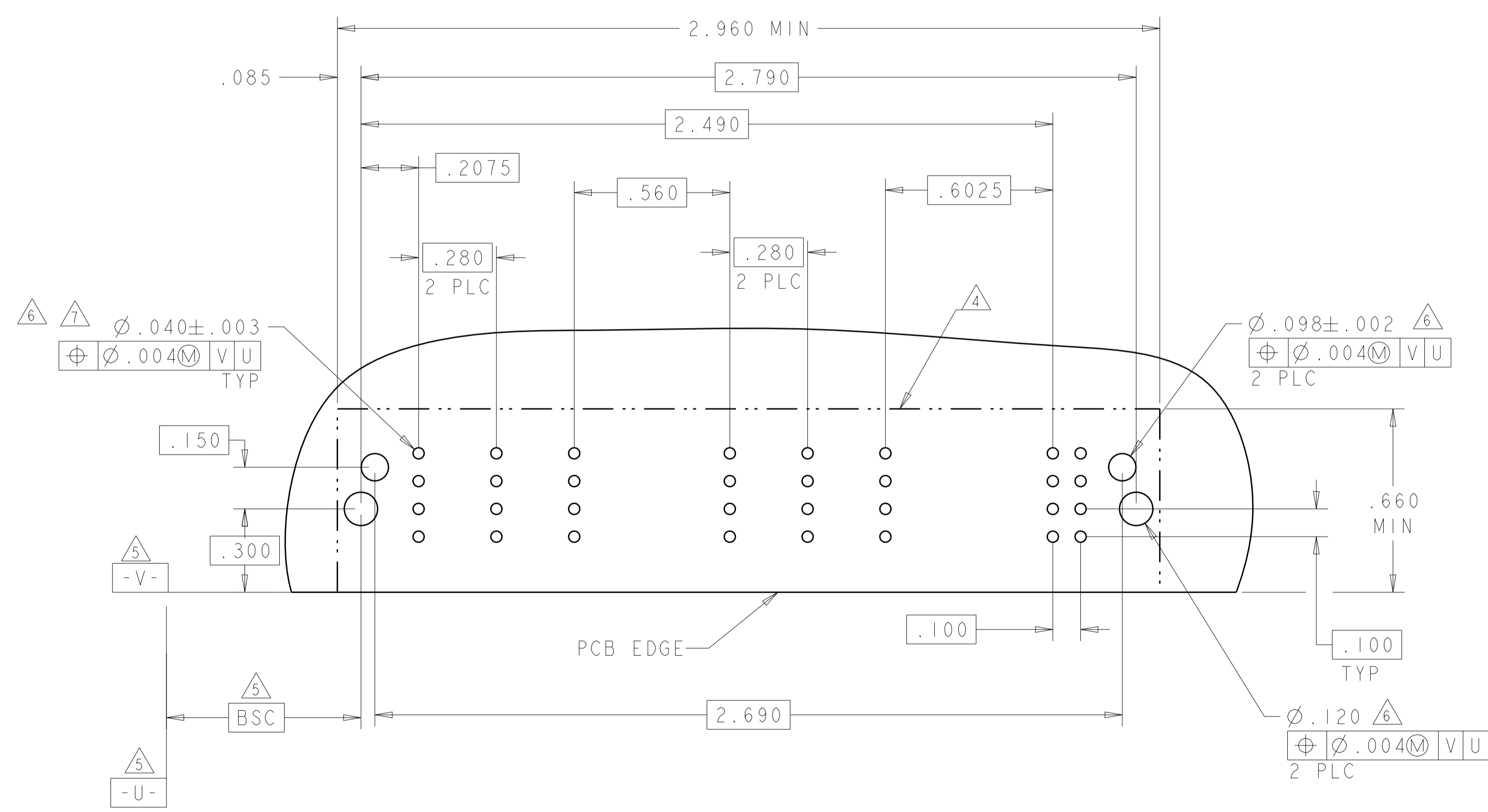
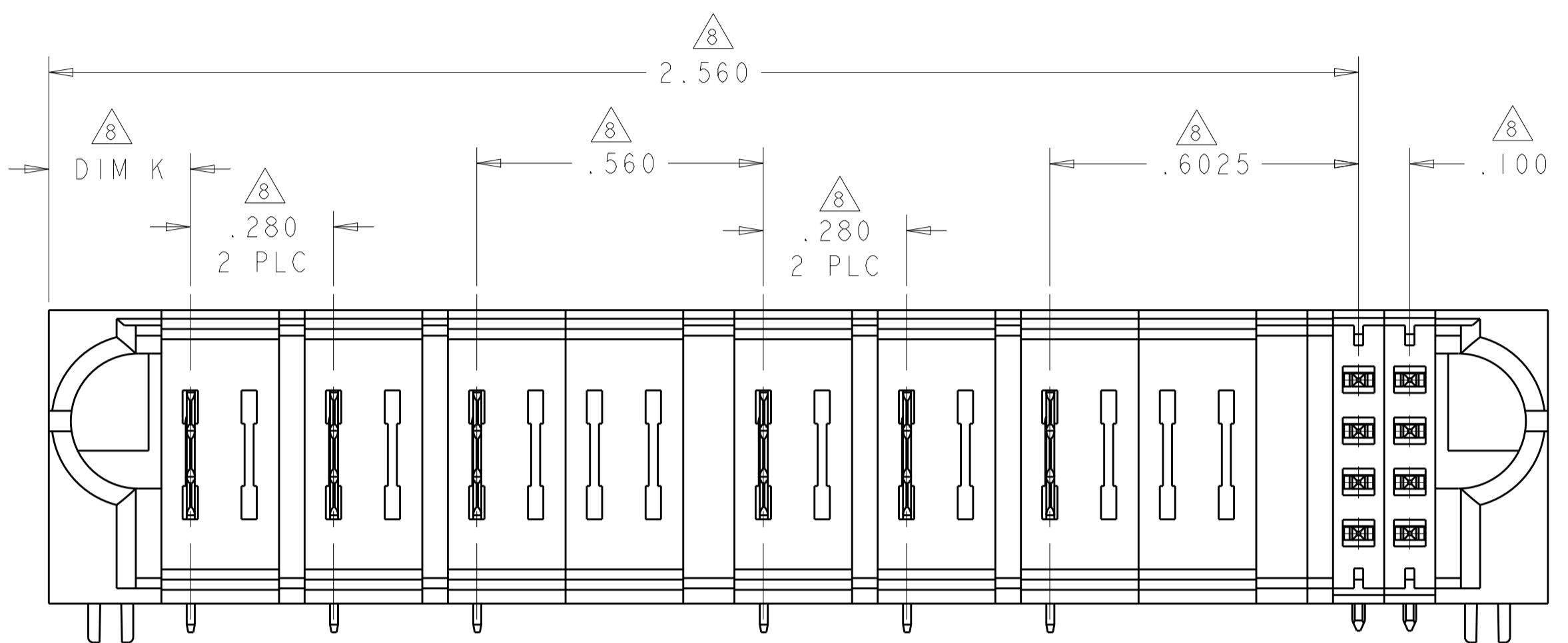
THIS DRAWING IS A CONTROLLED DOCUMENT.

DIMENSIONS: INCHES	TOLERANCES UNLESS OTHERWISE SPECIFIED:	DMN C. ZHOU CHK S. ZHAO APVD S. ZHAO	04AUG2009 04AUG2009		NAME RIGHT ANGLE HEADER ASSEMBLY W/ P AND SHORT END MODULES MULTI-BEAM XLE												
<table border="1"> <tr> <td>0 PLC</td> <td>±</td> </tr> <tr> <td>2 PLC</td> <td>±.01</td> </tr> <tr> <td>3 PLC</td> <td>±.005</td> </tr> <tr> <td>4 PLC</td> <td>±.0020</td> </tr> <tr> <td>ANGLES</td> <td>±.0020</td> </tr> </table>	0 PLC	±	2 PLC		±.01	3 PLC	±.005	4 PLC	±.0020	ANGLES	±.0020	FINISH	PRODUCT SPEC 108-2292	APPLICATION SPEC 114-13251	SIZE A1	CAGE CODE 100779	DRAWING NO 6450833
0 PLC	±																
2 PLC	±.01																
3 PLC	±.005																
4 PLC	±.0020																
ANGLES	±.0020																
MATERIAL		WEIGHT		CUSTOMER DRAWING	SCALE 2:1	SHEET 6	OF 7	REV C7									

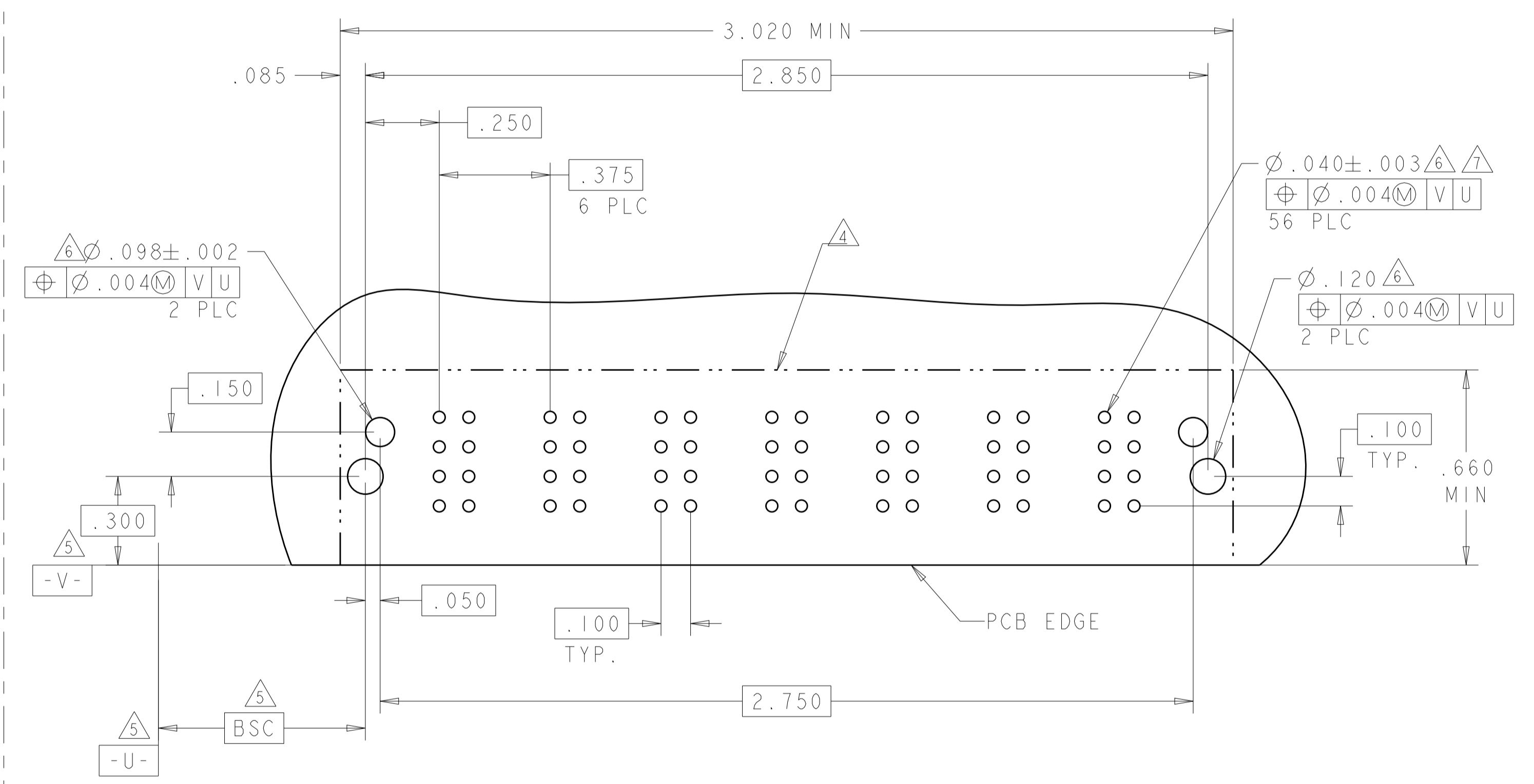
LOC	DIST	REVISIONS					
		P	LTM	DESCRIPTION	DATE	DMN	APVD
ES	00	-	-	SEE SHEET 1	-	-	-

PART NUMBER	ROWS	LOW POWER						SIGNAL		HD
		P1	P2	P3	P4	P5	P6	I	2	
I-6450833-1	D							J	J	
	C							K	K	
	B	LM	LM	LM	LM	LM	LM	N	N	
	A	HD						S	S	

6LP + 8S



PART NUMBER	ROWS	POWER							HD
		P1	P2	P3	P4	P5	P6	P7	
I-6450833-2	D C B A	TM	TM	TM	TM	TM	TM	TM	HD
7ACP									



DESCRIPTION	IDENTIFIER
HOLD DOWN	HD
.135 SIGNAL SOLDER CON, ROW D, STD	J
.135 SIGNAL SOLDER CON, ROW C, STD	K
.135 SIGNAL SOLDER CON, ROW B, STD	N
.135 SIGNAL SOLDER CON, ROW A, STD	S
.135 SOLDER LOW POWER, MFB	LMF
.135 SOLDER LOW POWER, STD	LM
.135 SOLDER POWER	TM

THIS DRAWING IS A CONTROLLED DOCUMENT.

DIMENSIONS: INCHES	TOLERANCES UNLESS OTHERWISE SPECIFIED:	DMN: C.ZHOU 04AUG2009	CHK: S.ZHAO 04AUG2009	APVD: S.ZHAO	NAME: S.ZHAO
MATERIAL:	FINISH:	PRODUCT SPEC: 108-2292	APPLICATION SPEC: 114-13251	WEIGHT:	RESTRICTED TO: A100779
CUSTOMER DRAWING		SCALE: 2:1		SHEET 7 OF 7	

STE TE Connectivity

RIGHT ANGLE HEADER ASSEMBLY W/ P AND SHORT END MODULES MULTI-BEAM XLE

SIZE: CAGE CODE: DRAWING NO: 6450833

REV: C7

X-ON Electronics

Largest Supplier of Electrical and Electronic Components

Click to view similar products for [Power to the Board](#) category:

Click to view products by [TE Connectivity](#) manufacturer:

Other Similar products are found below :

[10131318-08512GRLF](#) [6450171-4](#) [6450552-7](#) [6600323-8](#) [6643429-1](#) [6646040-2](#) [6651939-1](#) [6766604-1](#) [120959-1](#) [1393557-2](#) [1393532-2](#)
[1393532-3](#) [1393532-4](#) [1393557-1](#) [1600812-5](#) [1-6450861-2](#) [1645595-1](#) [1743490-1](#) [1744132-7](#) [1761122-1](#) [1766169-1](#) [1766250-1](#) [18362](#)
[1892109-1](#) [1-967627-6](#) [2226808-1](#) [2-6450860-5](#) [2-6450860-6](#) [2-6450870-0](#) [93003-0502](#) [953552-1](#) [1-6450161-4](#) [1-6450850-6](#) [1645526-2](#) [1-](#)
[6600130-0](#) [1743419-1](#) [1766150-1](#) [2005243-2](#) [211110-1](#) [2-6600130-2](#) [TE34-12-16P-F0](#) [51700-10201602AALF](#) [5-6450830-6](#) [5646956-4](#)
[36662-0005](#) [40585-3000](#) [4-6450830-9](#) [4-6600333-3](#) [51142-0214](#) [10125416-4050LF](#)