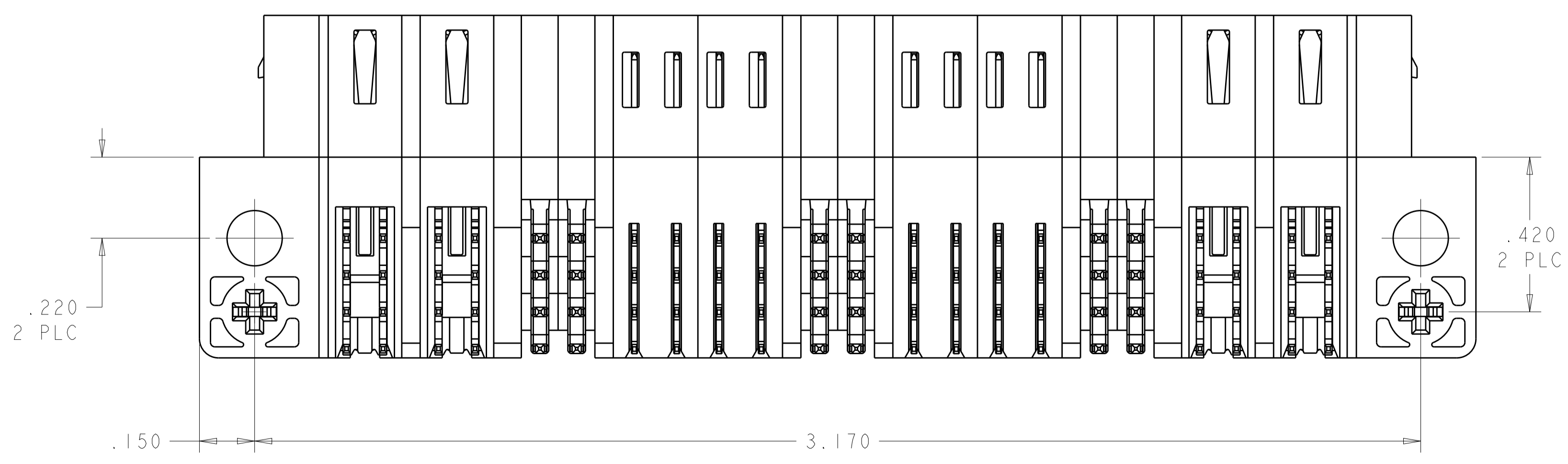
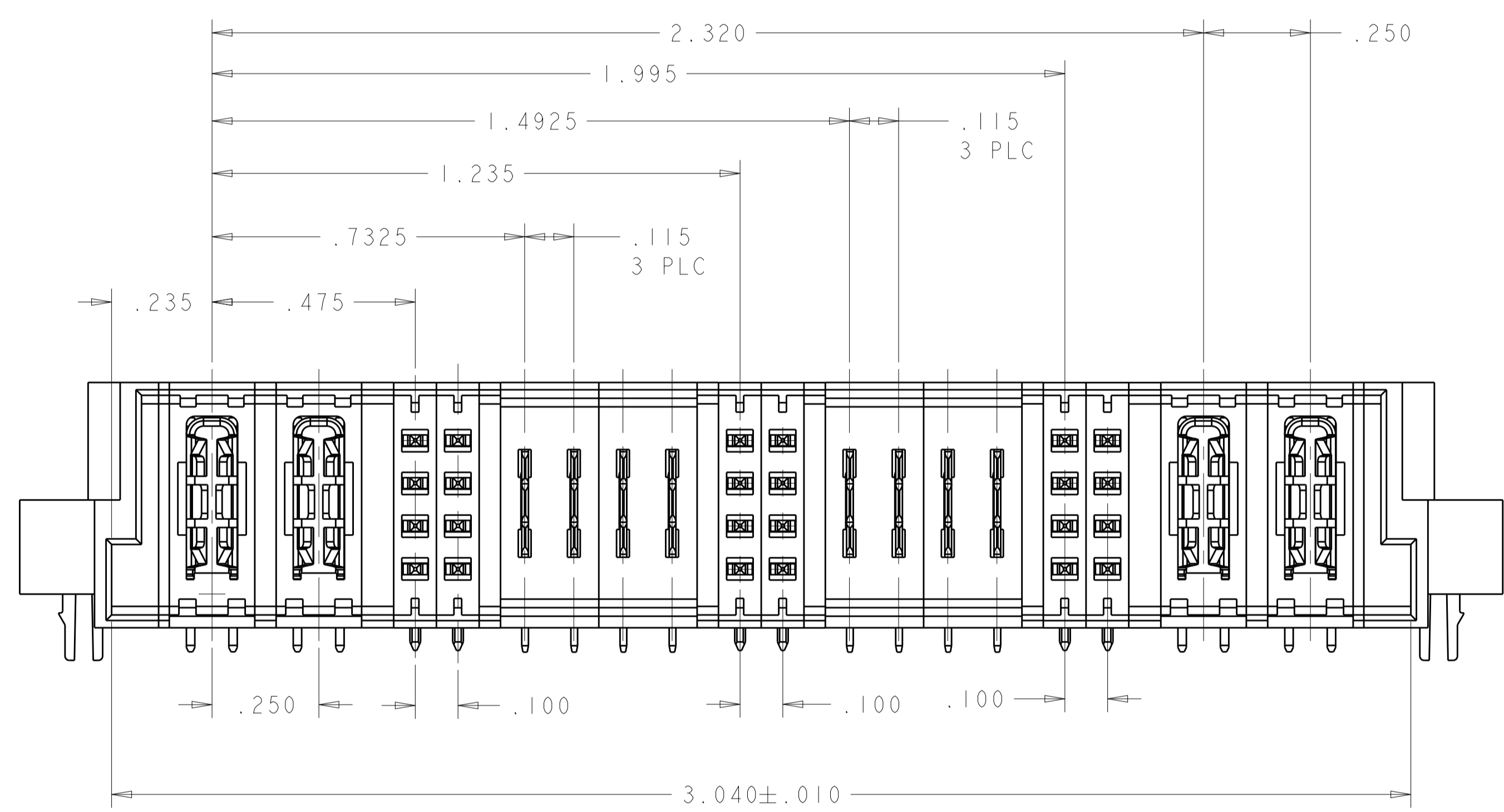
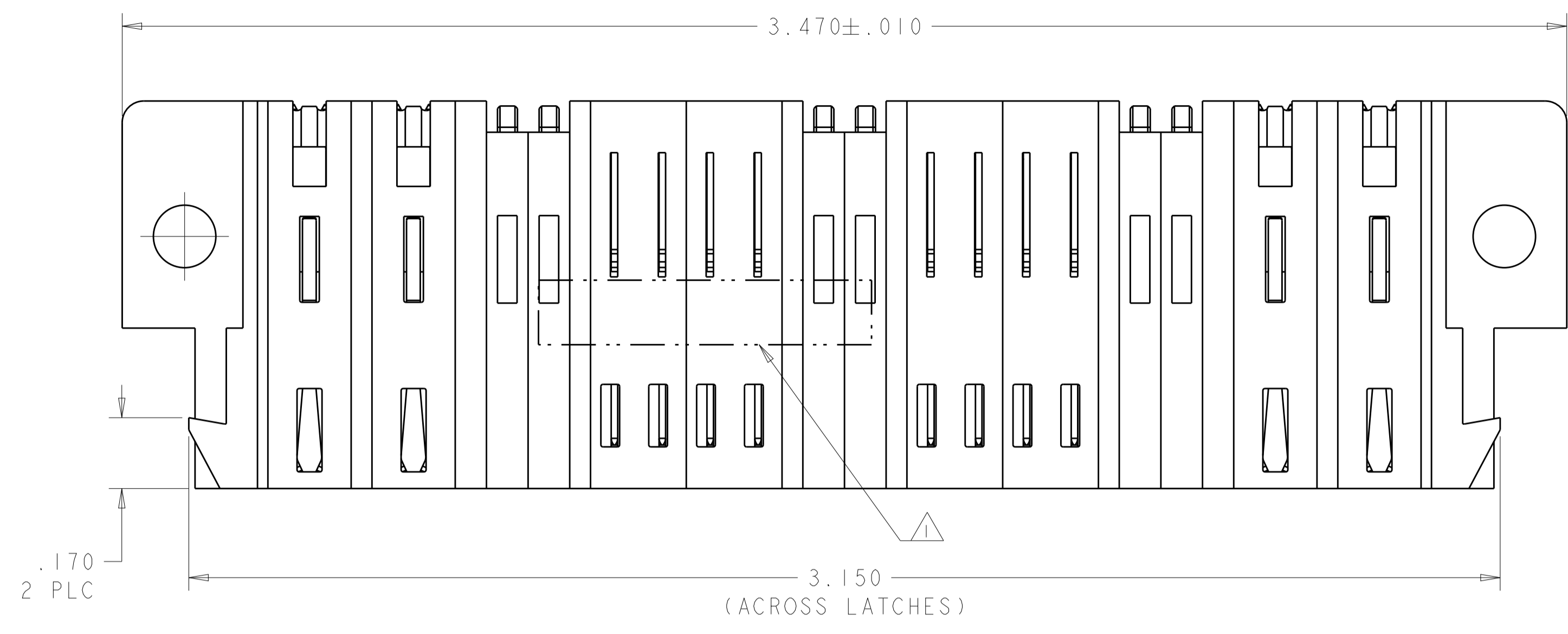
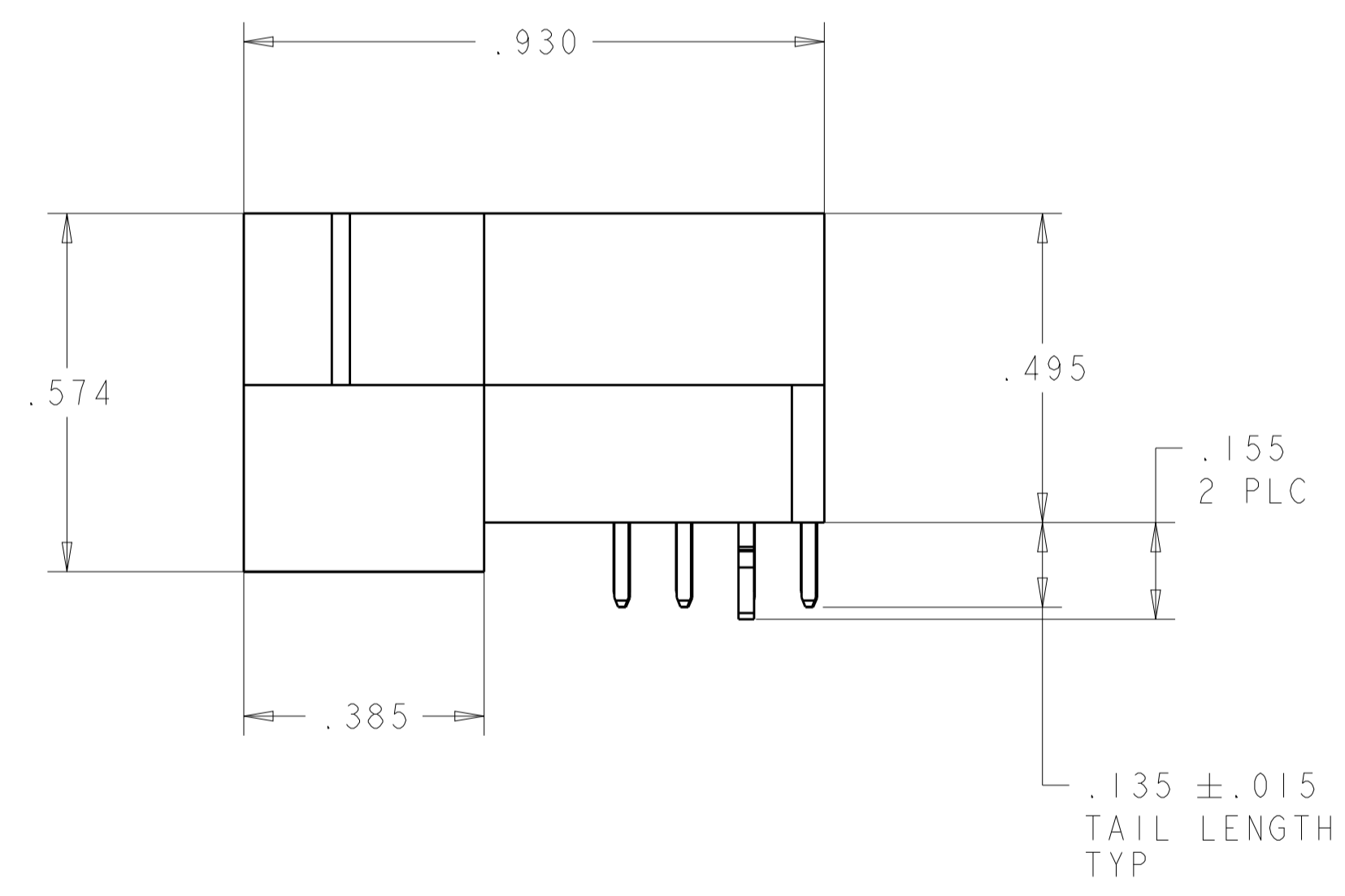


REVISIONS				
P.	LTN	DESCRIPTION	DATE	APVD
1		PROPOSED DESIGN	30MAR2015	CZ SZ
2		REVISED	03APR2015	CZ SZ



- ⚠ "AMP", PART NUMBER AND DATE CODE TO BE MARKED IN AREA SHOWN  
PARTS UNDER 2.00 LONG MAY BE MARKED ON BOTH SIDES
- ⚠ MATERIAL: HOUSING - GLASS FILLED HIGH TEMP THERMO PLASTIC, UL94 V-0  
SIGNAL CONTACT - HIGH CONDUCTIVITY COPPER ALLOY  
POWER CONTACT - HIGH CONDUCTIVITY COPPER ALLOY
- ⚠ CONTACT PLATING: NOBLE METAL PLATING ON CONTACT FUNCTIONAL AREA  
OF POWER AND SIGNAL CONTACTS
- ⚠ MECHANICAL CONNECTOR KEEP OUT ZONE
- ⚠ DATUM AND BASIC DIMENSIONS ESTABLISHED BY CUSTOMER
- ⚠ PCB - ALL HOLE DIAMETERS ARE FINISHED HOLE SIZES
- ⚠ PCB - 0.0453 ± .0010 DRILLED HOLES PLATED WITH .0003 MIN Sn  
OVER .001 TO .003 Cu PLATING TO ACHIEVE A .040 ± .003 HOLE



**PROPOSAL ONLY**

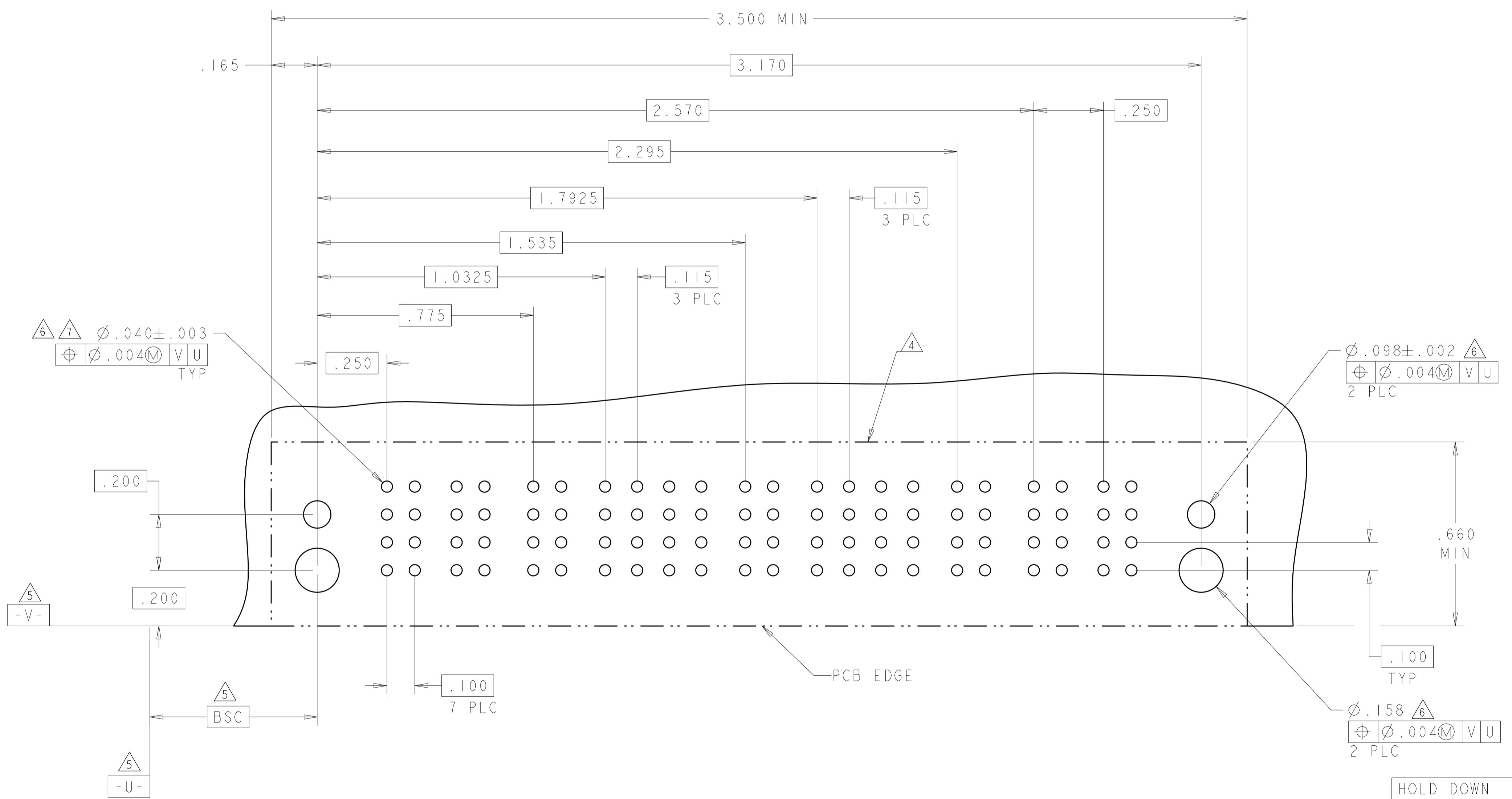
2P + 8S + 4LP + 8S + 4LP + 8S + 2P	6450834-4
DESCRIPTION	PART NUMBER

THIS DRAWING IS A CONTROLLED DOCUMENT.		DWN: C.ZHOU	30MAR2015	TE Connectivity	
DIMENSIONS: INCHES		TOLERANCES UNLESS OTHERWISE SPECIFIED:	0 PLC ±	1 PLC ±.01	2 PLC ±.01
MATERIAL: 2		FINISH: 3	PRODUCT SPEC: 108-2292	APPLICATION SPEC: 108-13251	SIZE: A1
CUSTOMER DRAWING		SCALE: N/A	SHEET: 1	OF: 2	REV: 2

REVISIONS				
P.	LTN	DESCRIPTION	DATE	APVD
-	-	SEE SHEET 1	-	-

PART NUMBER	ROWS	POWER		SIGNAL		LOWER POWER				SIGNAL				LOW POWER				SIGNAL		POWER	
		P1	P2	1	2	LP1	LP2	LP3	LP4	3	4	LP5	LP6	LP7	LP8	5	6	P3	P4		
6450834-4	D	TM	TM	J	J	LM	LM	LM	LM	J	J	LM	LM	LM	LM	J	J	TM	TM		
	C			K	K					K	K					K	K				
	B			N	N					N	N					N	N				
	A			S	S					S	S					S	S				

2P + 8S + 4LP + 8S + 4LP + 8S + 2P



DESCRIPTION	IDENTIFIER
HOLD DOWN	HD
.135 SIGNAL CON, ROW D, STANDARD	J
.135 SIGNAL CON, ROW C, STANDARD	K
.135 SIGNAL CON, ROW B, STANDARD	N
.135 SIGNAL CON, ROW A, STANDARD	S
.135 SOLDER POWER	TM
.135 SOLDER LOWER POWER, STD	LM

THIS DRAWING IS A CONTROLLED DOCUMENT.		DWN C. ZHOU	30MAR2015
DIMENSIONS: INCHES		TOLERANCES UNLESS OTHERWISE SPECIFIED:	APVD
		0 PLC ±	PRODUCT SPEC
		1 PLC ±.01	108-2292
		2 PLC ±.01	APPLICATION SPEC
		3 PLC ±.005	108-13251
		4 PLC ±.0050	WEIGHT
		ANGLES ±.075°	FINISH
MATERIAL		CUSTOMER DRAWING	

NAME	R/A HEADER ASSEMBLY, STR AND LP CONTACTS ASSEMBLY MULTI-BEAM XLE
SIZE	A1
CAGE CODE	100779
DRAWING NO	6450834-4
SCALE	N/A
SHEET	2
OF	2
REV	2

## X-ON Electronics

Largest Supplier of Electrical and Electronic Components

*Click to view similar products for te connectivity manufacturer:*

Other Similar products are found below :

[570416-000](#) [CLTEQ-M81CE-SSRELAY-4-20V](#) [4-1633138-8](#) [D38999/24FJ4AN](#) [4-1195131-0](#) [650069-000](#) [SMD100-2](#) [2EDL4CM](#)  
[DTS20W19-11PD-3028](#) [DTS20W19-11PD-3028-LC](#) [DTS20W19-32SD-3028-LC](#) [DTS20W19-32SD-3028](#) [NC6-P104-06](#) [TXR64AB90-](#)  
[3616AI](#) [DTS26F21-41HE](#) [DTS26F21-41AE](#) [DTS26F21-41PE-LC](#) [DTS26F21-11SE-3028-LC](#) [D38999/24WF32JE](#) [D38999/24WF32SE-LC](#)  
[DTS24W19-32HE](#) [D38999/20JB35HA](#) [D38999/24WJ20PA](#) [164-8033-08](#) [D38999/24FF32JE](#) [D38999/24FF32SE-LC](#) [D38999/24WF32JB](#)  
[D38999/24WG11HA](#) [D38999/24WG11HN](#) [MS27467T21F11H](#) [DJT16E21-11HA](#) [DTS24F19-32HE](#) [DTS20W19-32SA-3028-LC](#) [DTS24F19-](#)  
[11SC-3028-LC](#) [DTS24F19-11SC-3028](#) [DJT14E13-98HB](#) [D38999/20WC8BB](#) [1-330599-5](#) [DTS24F21-41HN-LC](#) [DTS24F21-41HN](#)  
[DTS24F21-41AN](#) [DTS24F21-39HN](#) [DTS24F21-41PN-LC](#) [AFD50-10-6SN-1A-LC](#) [DJT10F17-26HC](#) [DTS24W19-32HB](#) [ACT20JE99HA](#)  
[DJT10E17-26HC](#) [DJT10E17-26HN](#) [DJT10F17-26HA](#)