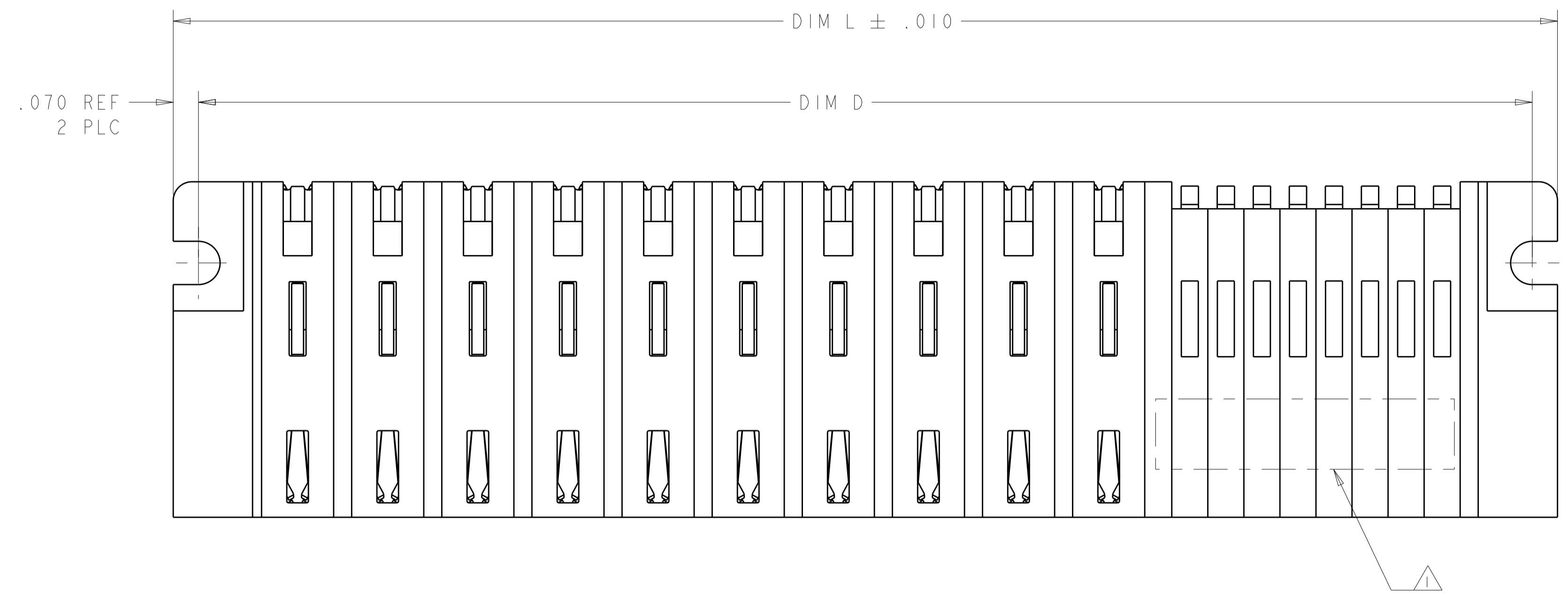
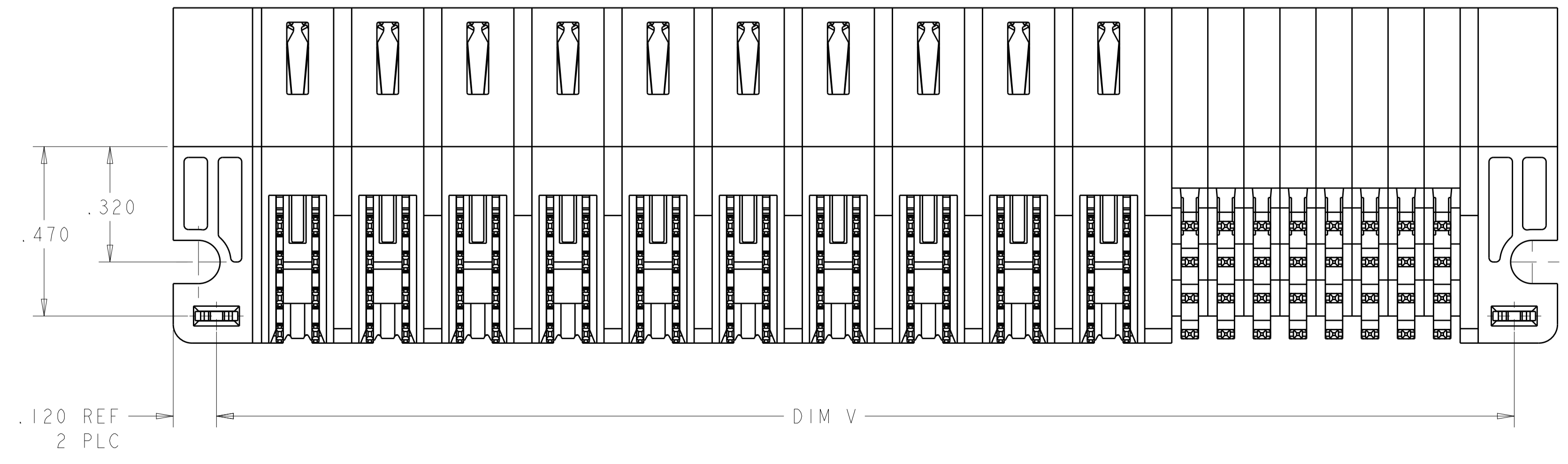
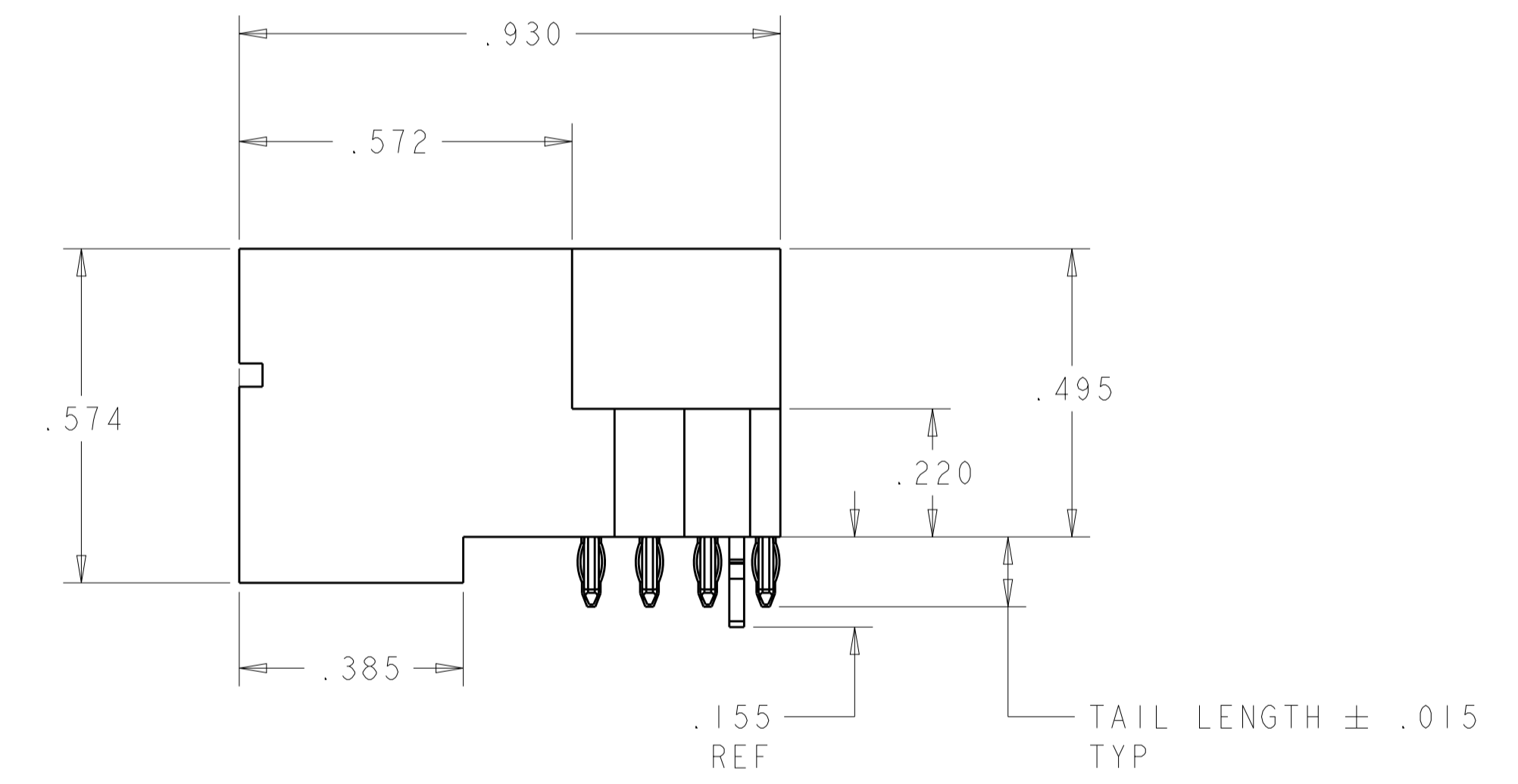
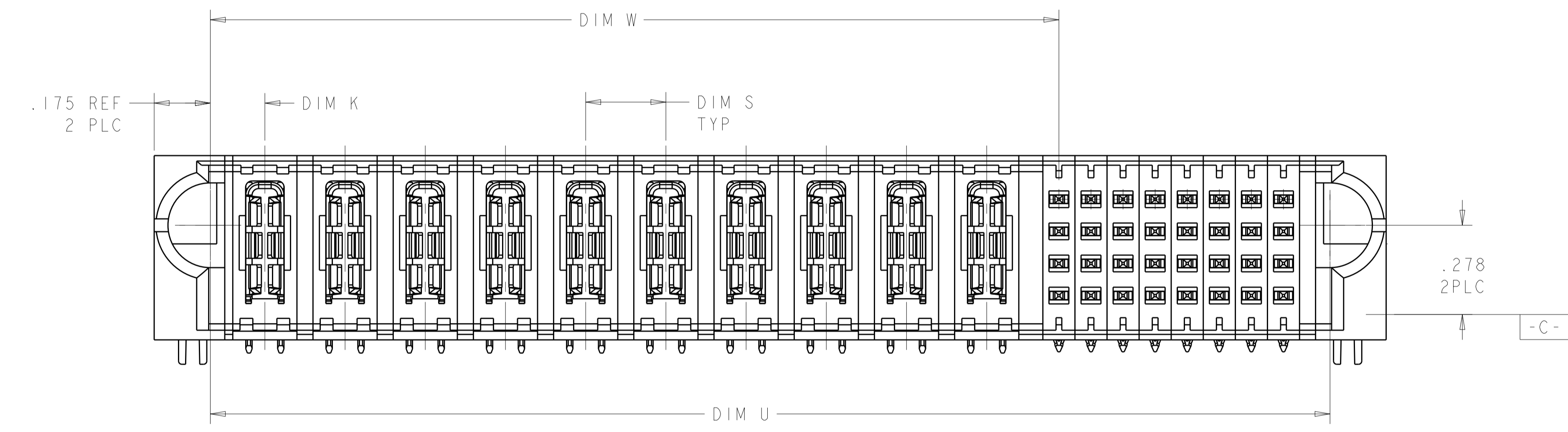


LOC		DIST		REVISIONS			
ES	00	P	LTM	DESCRIPTION	DATE	DWN	APVD
		B		REVISED I-O BY CUSTOMER	04MAR2015	CZ	SZ



- 1 "AMP", PART NUMBER, AND DATECODE TO BE MARKED IN AREA SHOWN. PARTS UNDER 2.00 LONG MAY BE MARKED ON BOTH SIDES.
- 2 MATERIAL: HOUSING - GLASS FILLED HIGH TEMP THERMO PLASTIC, BLACK, UL94 V-0  
 SIGNAL CONTACT - COPPER ALLOY  
 POWER CONTACT - HIGH CONDUCTIVITY COPPER ALLOY
- 3 CONTACT PLATING: NOBLE METAL PLATING ON CONTACT FUNCTIONAL AREA OF POWER AND SIGNAL CONTACTS
- 4 MECHANICAL CONNECTOR KEEP OUT ZONE.
- 5 DATUM AND BASIC DIMENSIONS ESTABLISHED BY CUSTOMER.
- 6 PCB - HOLE DIAMETERS ARE FINISHED HOLE SIZE.
- 7 PCB - .0453±.0010 DRILLED HOLES PLATED WITH .0003 MIN Sn OVER .001 TO .003 Cu PLATING TO ACHIEVE A .040 DIA HOLE.
- 8 NOT RELEASED FOR PRODUCTION.
- 9 VARIABLE DIMENSION SEE TABLE.



DIM V	DIM W	DIM U	DIM S	DIM D	DIM L	DIM K	DESCRIPTION	PART NUMBER
1.025	.620	.915	.250	1.125	1.265	.145	2P + 12S	1-6450842-0
3.550	2.795	3.440	9	3.650	3.790	.170	12P + 24S	6450842-7
3.500	2.795	3.390	9	3.600	3.740	.170	3ACP + 8P + 24S	6450842-5
3.550	3.020	3.440	9	3.650	3.790	.145	13P + 24S	6450842-4
3.500	2.795	3.390	9	3.600	3.740	.170	3ACP + 8P + 24S	6450842-2
3.350	2.445	3.240	9	3.450	3.590	.145	10P + 32S	6450842-3
3.600	2.645	3.490	.250	3.700	3.840	.170	10P + 32S	6450842-1

THIS DRAWING IS A CONTROLLED DOCUMENT. DWN: HESPER LIU 09JUL2008  
 CHK: S. ZHAO 09JUL2008  
 APVD: S. ZHAO

DIMENSIONS: INCHES  
 TOLERANCES UNLESS OTHERWISE SPECIFIED:  
 0 PLC ±.  
 1 PLC ±.01  
 2 PLC ±.01  
 3 PLC ±.005  
 4 PLC ±.0020  
 ANGLES ±.0020

MATERIAL: FINISH:

PRODUCT SPEC: 108-2292  
 APPLICATION SPEC: 114-13251  
 WEIGHT: -  
 CUSTOMER DRAWING

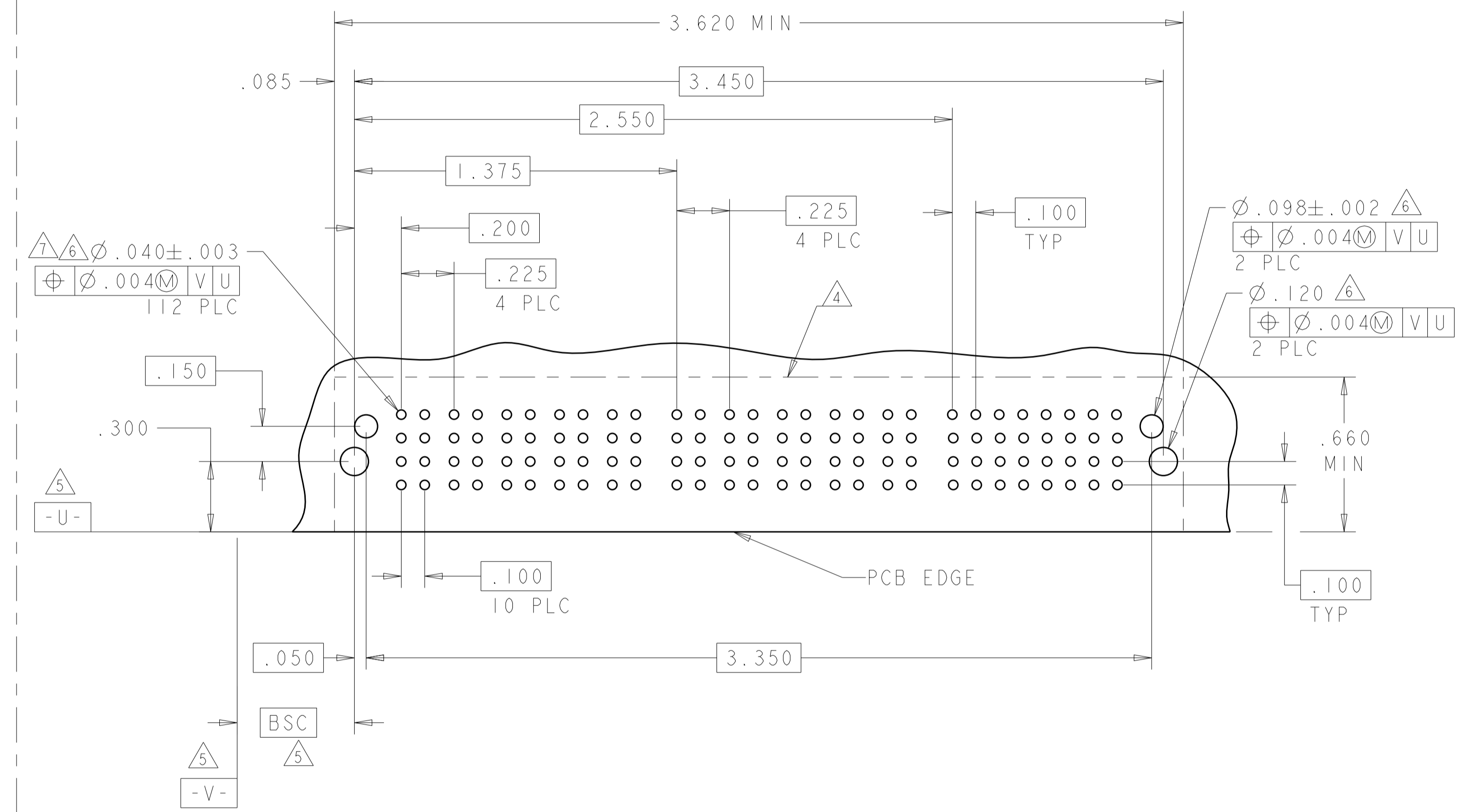
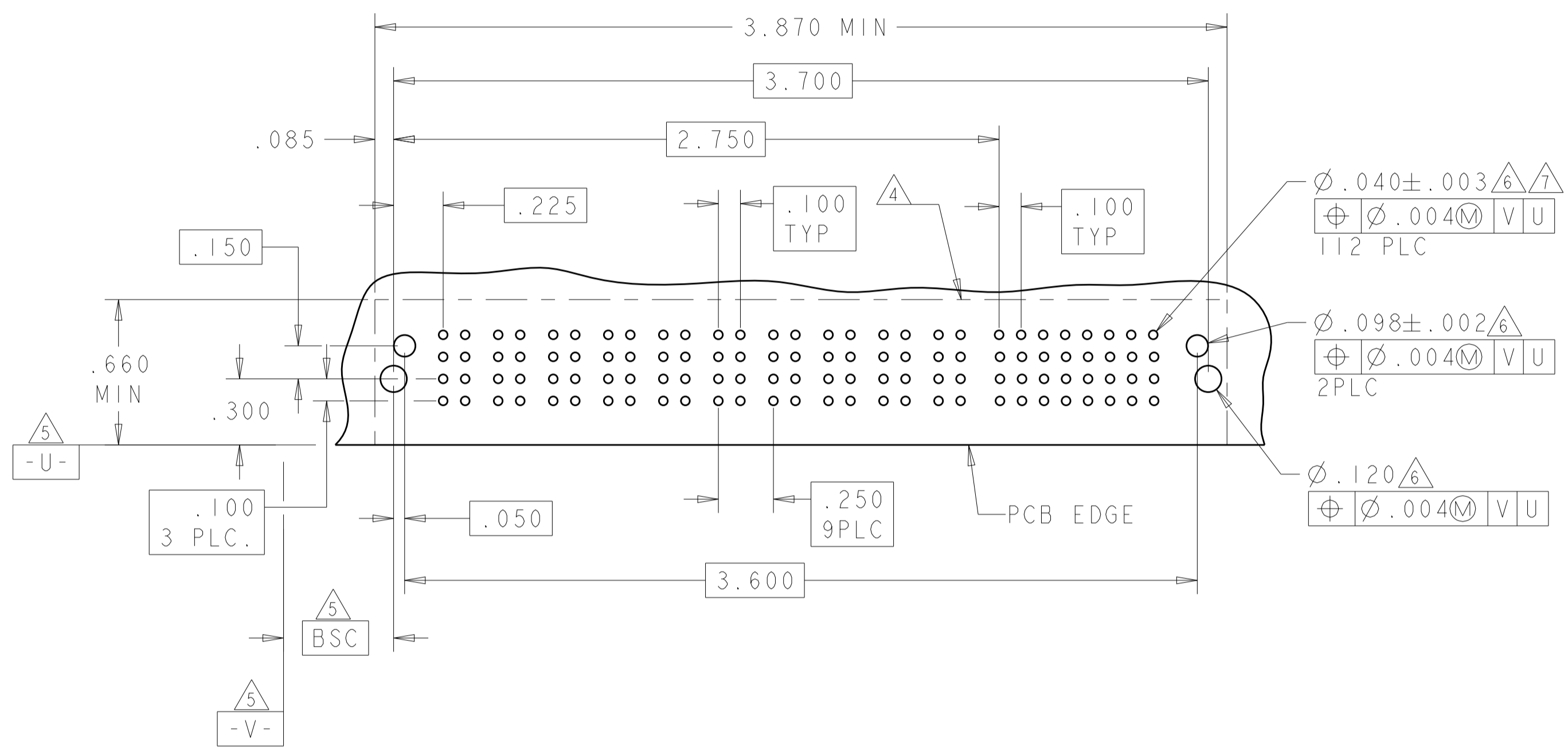
NAME: RIGHT ANGLE HEADER W/ LP CONTACT AND SHORT END MODULES MULTI-BEAM XLE  
 SIZE: A1  
 CAGE CODE: 6450842  
 DRAWING NO: 100779  
 SCALE: 4:1  
 SHEET: 1 OF 6  
 REV: B

STE TE Connectivity

LOC	DIST	REV	DATE	BY	APPD
ES	00				

PART NUMBER	ROWS	POWER										SIGNAL							
		P1	P2	P3	P4	P5	P6	P7	P8	P9	P10	1	2	3	4	5	6	7	8
6450842-1	D											Z5	Z5	Z5	Z5	Z5	Z5	Z5	Z5
	C	TT	TT	TT	TT	TT	TT	TT	TT	TT	TT	Y5	Y5	Y5	Y1	Y1	Y5	Y5	Y5
	B											R5	R5	R5	R1	R1	R5	R5	R5
	A											O5	O5	O5	O5	O5	O5	O5	O5

PART NUMBER	ROWS	POWER										SIGNAL							
		P1	P2	P3	P4	P5	P6	P7	P8	P9	P10	1	2	3	4	5	6	7	8
6450842-3	D											Z5	Z5	Z5	Z5	Z5	Z5	Z5	Z5
	C	TT	TT	TT	TT	TT	TT	TT	TT	TT	TT	Y5	Y5	Y5	Y5	Y5	Y5	Y5	Y5
	B											R5	R5	R5	R5	R5	R5	R5	R5
	A											O1	O1	O1	O1	O1	O1	O1	O1



DESCRIPTION	IDENTIFIER
HOLD DOWN	HD
.120 SIGNAL MLBF PRESS FIT CON, ROW C	Y1
.120 SIGNAL MLBF PRESS FIT CON, ROW B	R1
.120 SIGNAL MLBF PRESS FIT CON, ROW A	O1
.120 SIGNAL MLBF PRESS FIT CON, ROW D	Z1
.120 SIGNAL PRESS FIT CON, ROW A, STD	O5
.120 SIGNAL PRESS FIT CON, ROW B, STD	R5
.120 SIGNAL PRESS FIT CON, ROW C, STD	Y5
.120 SIGNAL PRESS FIT CON, ROW D, STD	Z5
.120 PRESS FIT POWER CON	TT

THIS DRAWING IS A CONTROLLED DOCUMENT. DIMENSIONS: INCHES. TOLERANCES UNLESS OTHERWISE SPECIFIED: 0 PLC ±.01, 1 PLC ±.01, 2 PLC ±.01, 3 PLC ±.005, 4 PLC ±.002, ANGLES ±.020.

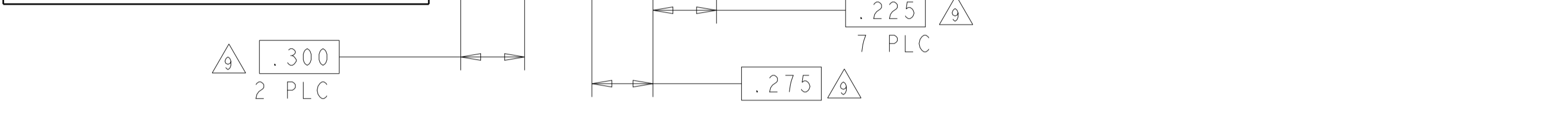
OWN: HESPER LTD, 09JUL2008. CHK: S. ZHAO, 09JUL2008. APVD: S. ZHAO. NAME: RIGHT ANGLE HEADER W/ LP CONTACT AND SHORT END MODULES MULTI-BEAM XLE. PRODUCT SPEC: 108-2292. APPLICATION SPEC: 114-13251. WEIGHT: -. CUSTOMER DRAWING. SCALE: 4:1. SHEET: 2 OF 6. REV: B.

STE TE Connectivity

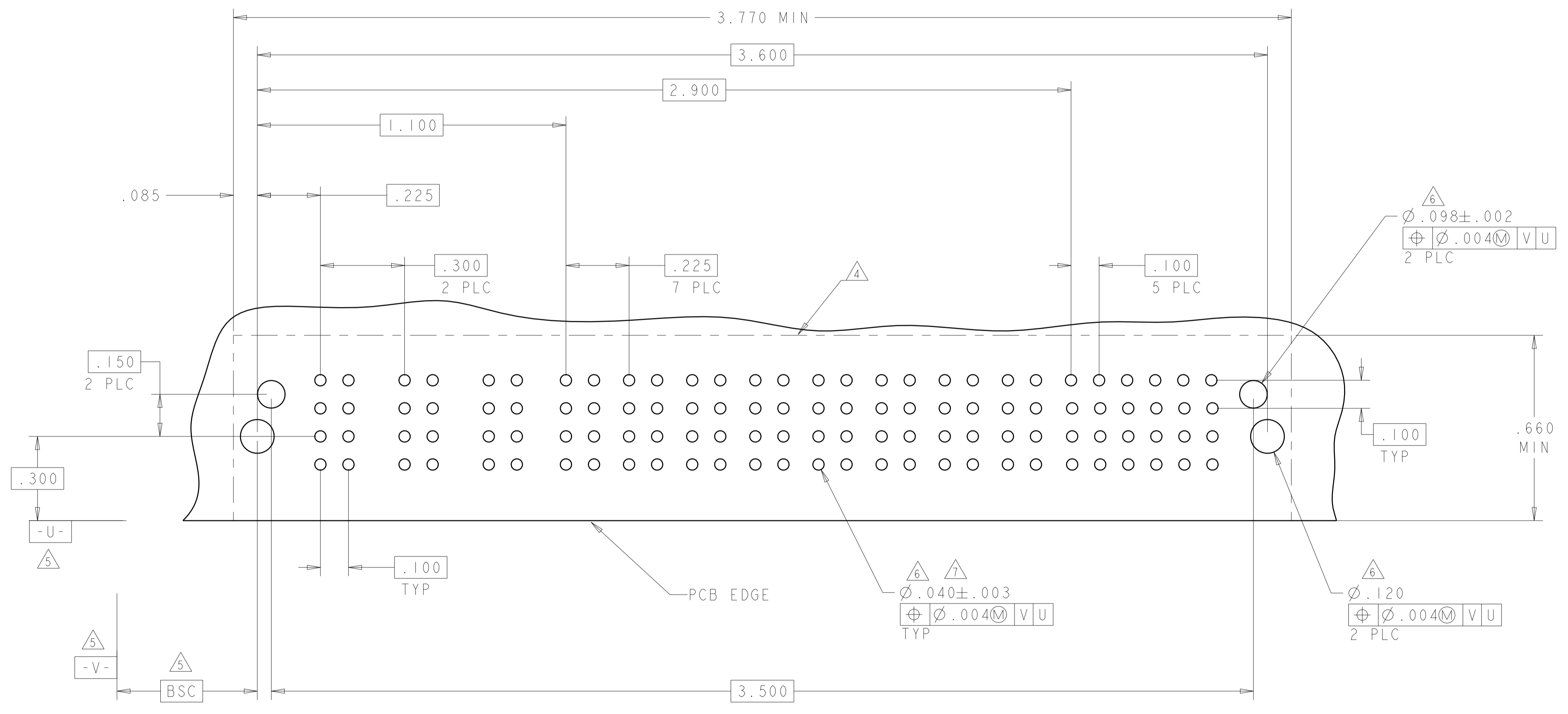
LOC	DIST	REV	DATE	BY	APPV
ES	00				
REVISIONS			DESCRIPTION	DATE	OWN
			SEE SHEET 1		

PART NUMBER	ROWS	POWER										SIGNAL					
		P1	P2	P3	P4	P5	P6	P7	P8	P9	P10	P11	1	2	3	4	5
6450842-2	D C B A	TT	TT	TT	TT	TT	TT	TT	TT	TT	TT	Z1	Z1	Z5	Z5	Z1	Z1
												Y5	Y1	Y5	Y5	Y5	Y5
												R5	R1	R1	R1	R1	R1
												O5	O5	O5	O5	O5	O5

PART NUMBER	ROWS	POWER										SIGNAL					
		P1	P2	P3	P4	P5	P6	P7	P8	P9	P10	P11	1	2	3	4	5
6450842-5	D C B A	TT	TT	TT	TT	TT	TT	TT	TT	TT	TT	Z1	Z1	Z5	Z5	Z1	Z1
												Y5	Y1	Y5	Y5	Y5	Y5
												R5	R1	R5	R1	R1	R1
												O5	O5	O5	O5	O5	O5



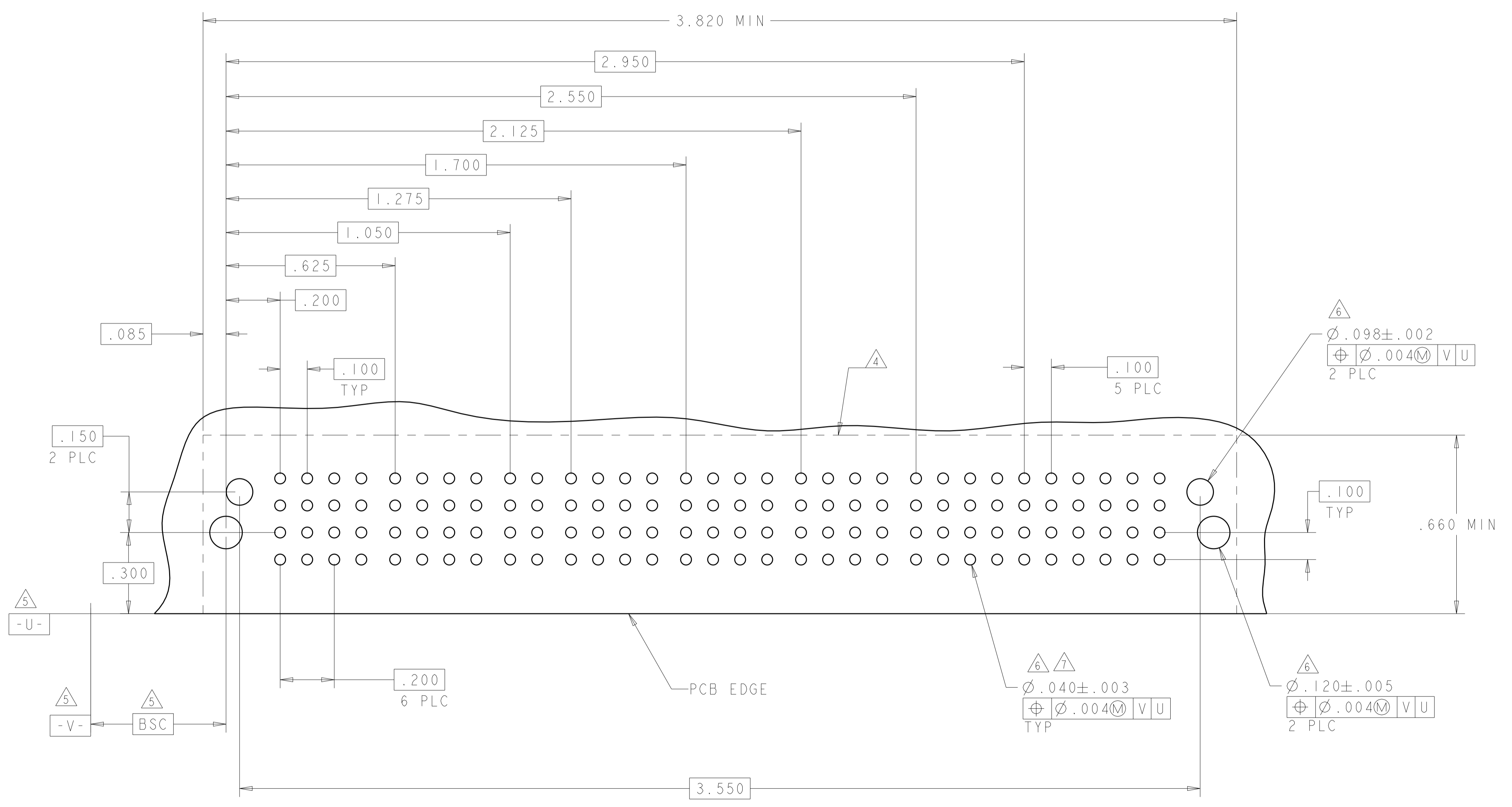
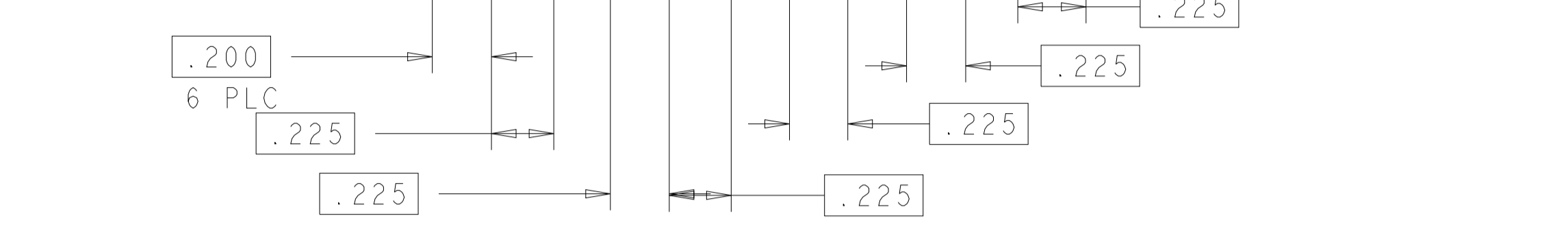
PCB LAYOUT IS THE SAME AS 6450842-2



THIS DRAWING IS A CONTROLLED DOCUMENT.		OWN: HESPER L11 09JUL2008	TE Connectivity
DIMENSIONS: INCHES		CHK: S. ZHAO 09JUL2008	
		TOLERANCES UNLESS OTHERWISE SPECIFIED:	NAME: RIGHT ANGLE HEADER W/ LP CONTACT AND SHORT END MODULES MULTI-BEAM XLE
MATERIAL: -		FINISH: -	PRODUCT SPEC: 108-2292
APPROVED: -		APPROVED: S. ZHAO	APPLICATION SPEC: 114-13251
SCALE: 4:1		SIZE: A1	RESTRICTED TO: -
SHEET 3 OF 6		DRAWING NO: 6450842	REV: B

LOC		DIST		REVISIONS			
ES	00	P	LTN	DESCRIPTION	DATE	OWN	APVD
		-		SEE SHEET 1			

PART NUMBER	ROWS	POWER													SIGNAL					
		P1	P2	P3	P4	P5	P6	P7	P8	P9	P10	P11	P12	P13	1	2	3	4	5	6
6450842-4	D C B A	TT	TT	TT	TT	TT	TT	TT	TT	TT	TT	TT	TT	TT	Z1	Z1	Z5	Z5	Z1	Z1
		TT	TT	TT	TT	TT	TT	TT	TT	TT	TT	TT	TT	TT	Y5	Y1	Y5	Y5	Y5	Y5
		TT	TT	TT	TT	TT	TT	TT	TT	TT	TT	TT	TT	TT	R5	R1	R5	R1	R1	R1
		TT	TT	TT	TT	TT	TT	TT	TT	TT	TT	TT	TT	TT	O5	O5	O5	O5	O5	O5



THIS DRAWING IS A CONTROLLED DOCUMENT. OWN: HESPER L1U 09JUL2008  
 CHK: S. ZHAO 09JUL2008  
 APVD: S. ZHAO

**STE** TE Connectivity

NAME: RIGHT ANGLE HEADER W/ LP CONTACT AND SHORT END MODULES MULTI-BEAM XLE

PRODUCT SPEC: 108-2292  
 APPLICATION SPEC: 114-13251  
 WEIGHT: -  
 CUSTOMER DRAWING

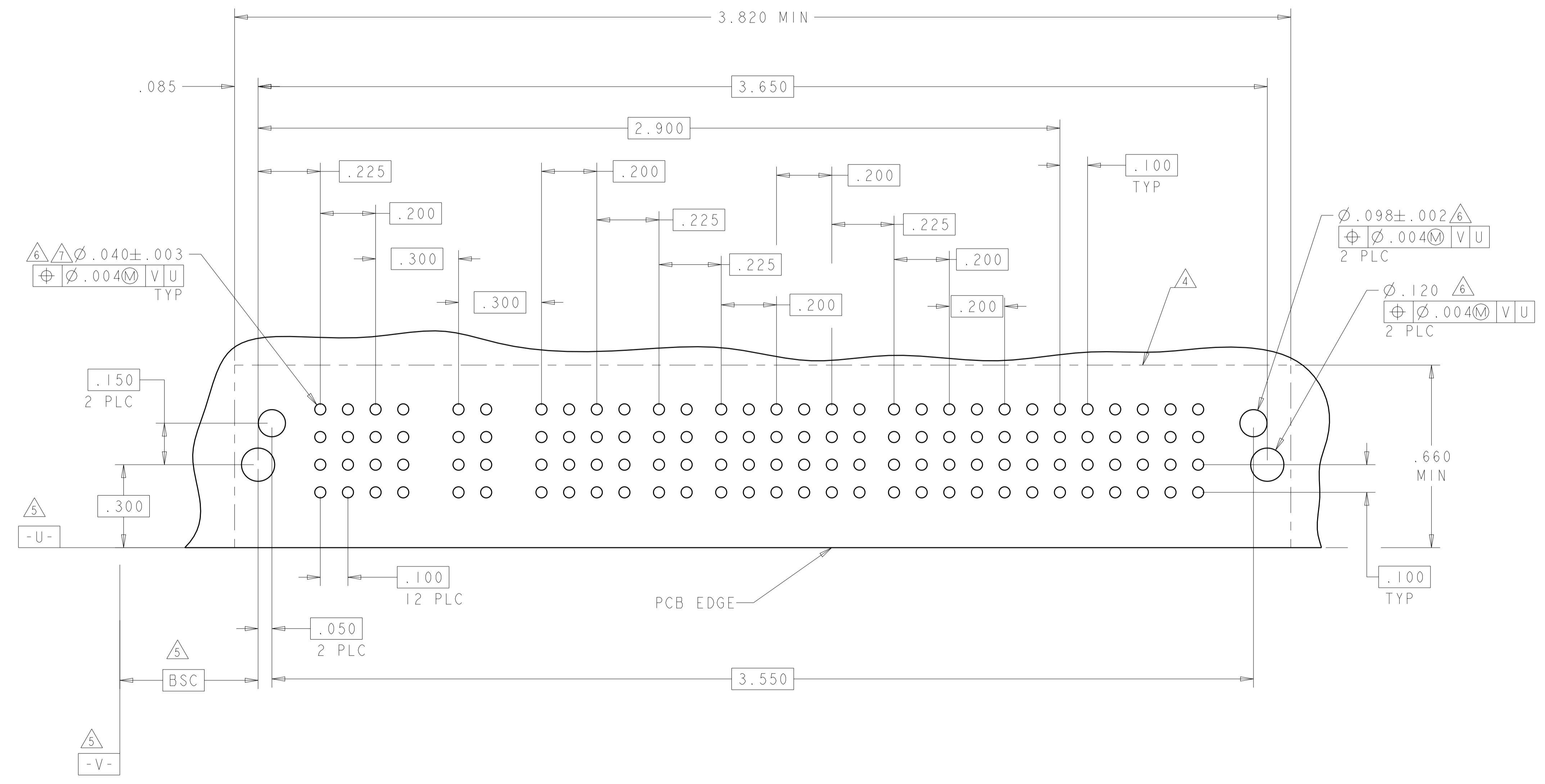
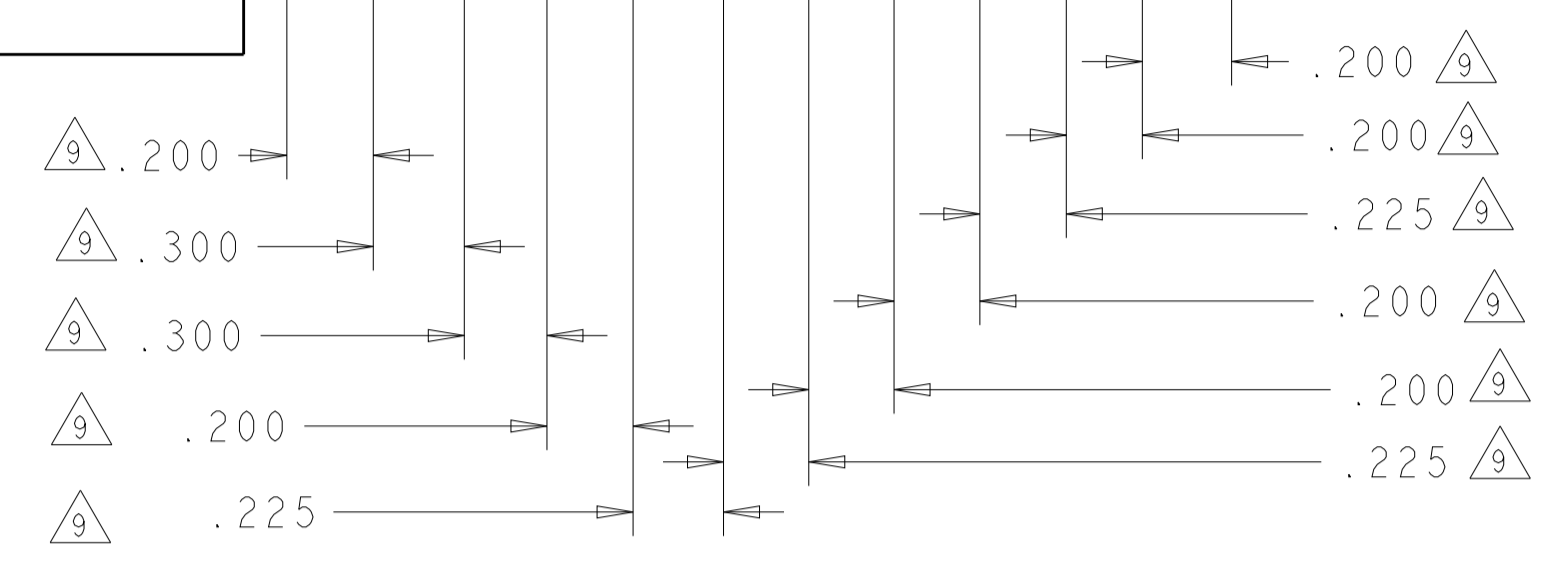
DIMENSIONS: INCHES  
 TOLERANCES UNLESS OTHERWISE SPECIFIED:  
 0 PLC ±.  
 1 PLC ±.01  
 2 PLC ±.01  
 3 PLC ±.005  
 4 PLC ±.0020  
 ANGLES ±.0°

MATERIAL: -  
 FINISH: -

SIZE: A100779  
 CAGE CODE: C=6450842  
 SCALE: 4:1  
 SHEET: 4 OF 6  
 REV: B

LOC	DIST	REVISIONS					
		P	LTN	DESCRIPTION	DATE	DWN	APVD
ES	00	-	-	SEE SHEET 1	-	-	-

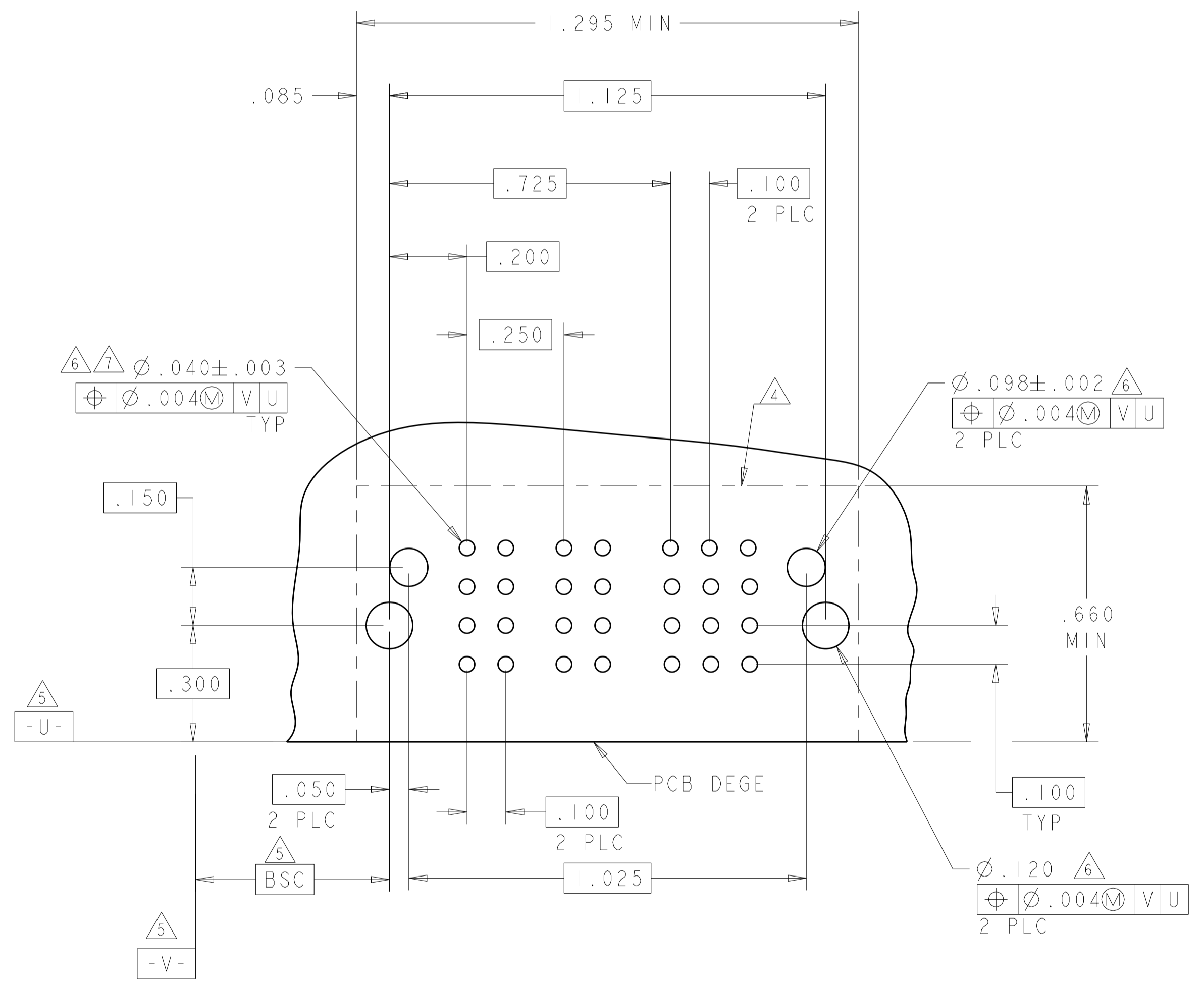
PART NUMBER	ROWS	POWER												SIGNAL							
		P1	P2	P3	P4	P5	P6	P7	P8	P9	P10	P11	P12	1	2	3	4	5	6		
6450842-7	D C B A	TT	TT	TT	TT	TT	TT	TT	TT	TT	TT	TT	TT	Z5	Z5	Z5	Z5	Z5	Z5		
														Y5	Y5	Y5	Y5	Y5	Y5		
														R5	R5	R5	R5	R5	R5		
12P + 24S		HD														HD					



THIS DRAWING IS A CONTROLLED DOCUMENT.		OWN: HESPER L11 09JUL2008	TE Connectivity
DIMENSIONS: INCHES		CHK: S. ZHAO 09JUL2008	
		TOLERANCES UNLESS OTHERWISE SPECIFIED:	NAME: RIGHT ANGLE HEADER W/ LP CONTACT AND SHORT END MODULES MULTI-BEAM XLE
MATERIAL: -		FINISH: -	PRODUCT SPEC: 108-2292
APVD: S. ZHAO		APVD: S. ZHAO	APPLICATION SPEC: 114-13251
SIZE: A1		CAGE CODE: 6450842	RESTRICTED TO: -
CUSTOMER DRAWING		SCALE: 4:1	SHEET 5 OF 6 REV B

LOC	DIST	REVISIONS			
P	LTN	DESCRIPTION	DATE	DMN	APVD
ES	00	SEE SHEET 1			

PART NUMBER	ROWS	POWER		SIGNAL		
		P1	P2	1	2	3
1-6450842-0	D	TT	TT	Z5	Z5	Z5
	C			Y5	Y5	Y5
	B			R5	R5	R1
	A			05	05	01
2P + 12S						



THIS DRAWING IS A CONTROLLED DOCUMENT.		DMN: HESPER L11 09JUL2008	TE Connectivity
DIMENSIONS: INCHES		CHK: S. ZHAO 09JUL2008	
TOLERANCES UNLESS OTHERWISE SPECIFIED: 0 PLC ±. 1 PLC ±. 2 PLC ±.01 3 PLC ±.05 4 PLC ±.0020 ANGLES ±2° FINISH		APVD: S. ZHAO NAME: RIGHT ANGLE HEADER W/ LP CONTACT AND SHORT END MODULES MULTI-BEAM XLE PRODUCT SPEC: 108-2292 APPLICATION SPEC: SIZE: 114-13251 WEIGHT:	RESTRICTED TO:
MATERIAL:		CUSTOMER DRAWING	SCALE: 4:1 SHEET: 6 OF 6 REV: B

## X-ON Electronics

Largest Supplier of Electrical and Electronic Components

*Click to view similar products for [Power to the Board](#) category:*

*Click to view products by [TE Connectivity](#) manufacturer:*

Other Similar products are found below :

[6643429-1](#) [6646040-2](#) [6766604-1](#) [120959-1](#) [1393557-2](#) [1393532-2](#) [1393532-3](#) [1393532-4](#) [1393557-1](#) [1744132-7](#) [1892109-1](#) [1-6450850-6](#)  
[1-6450869-6](#) [1645526-2](#) [2005243-2](#) [377-0020-11130](#) [MC116N](#) [TE34-12-16P-F0](#) [51700-10201602AALF](#) [51970-004](#) [5-6450830-6](#) [4-](#)  
[6600333-3](#) [10125416-4050LF](#) [10130248-005LF](#) [6600320-3](#) [1888123-2](#) [701-15-02109](#) [6450810-7](#) [46437-1112](#) [6450813-2](#) [6450842-4](#)  
[10108877-R24403SLF](#) [1645523-1](#) [PSS-06-01-T-S](#) [FWS-03-04-T-S](#) [51760-10301603ABLF](#) [FWS-05-01-T-S](#) [51720-10206002AALF](#) [QE-](#)  
[POL-KEY](#) [FWS-08-01-T-S](#) [698-0075-04](#) [C10-642216-56P](#) [6651670-1](#) [MC120N](#) [2-1600788-6](#) [1761385-3](#) [46562-1175](#) [2221861-1](#) [HFWS-](#)  
[10-05-TM-S](#) [FWS-13-04-T-S-RA](#)