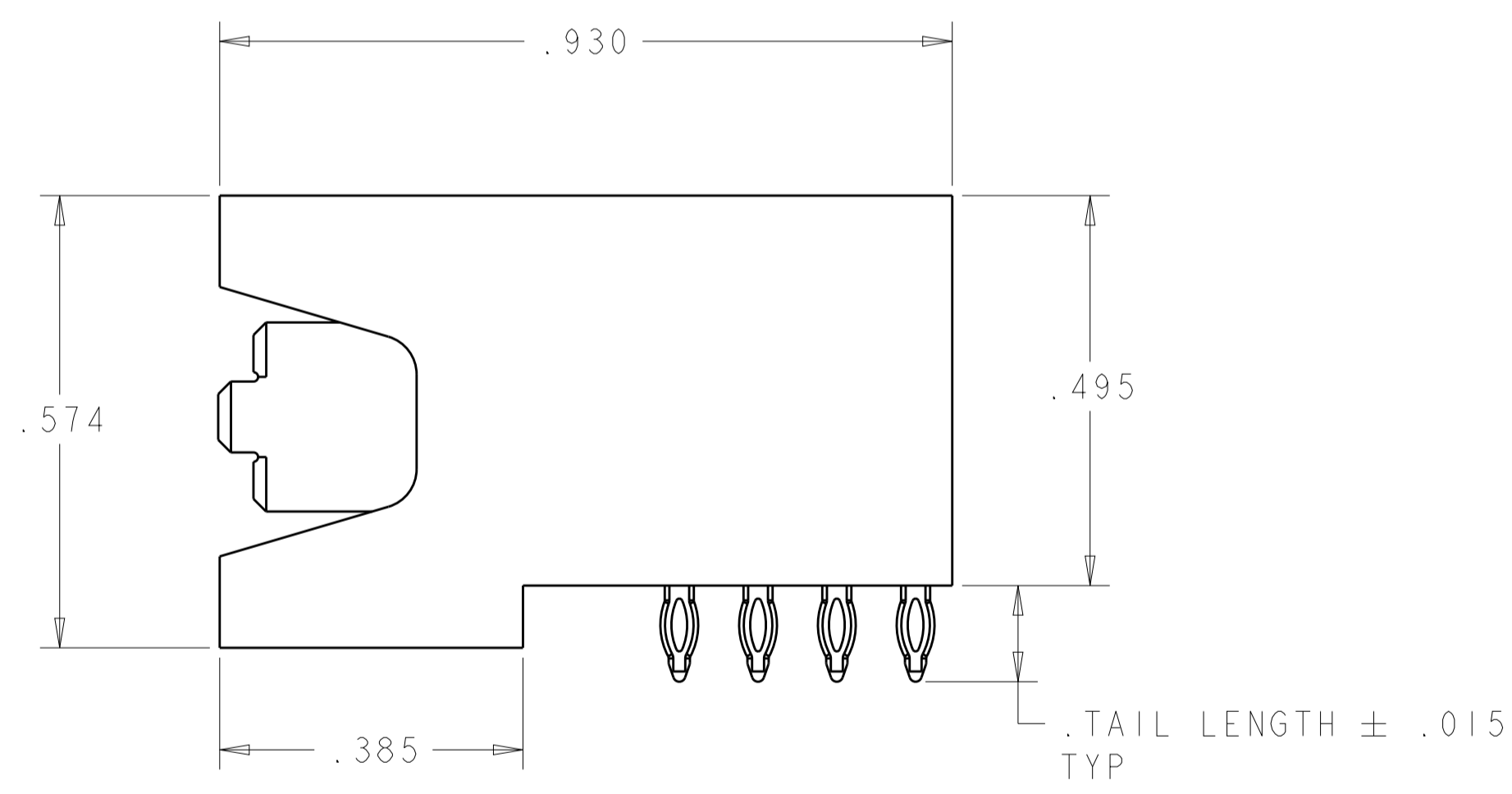
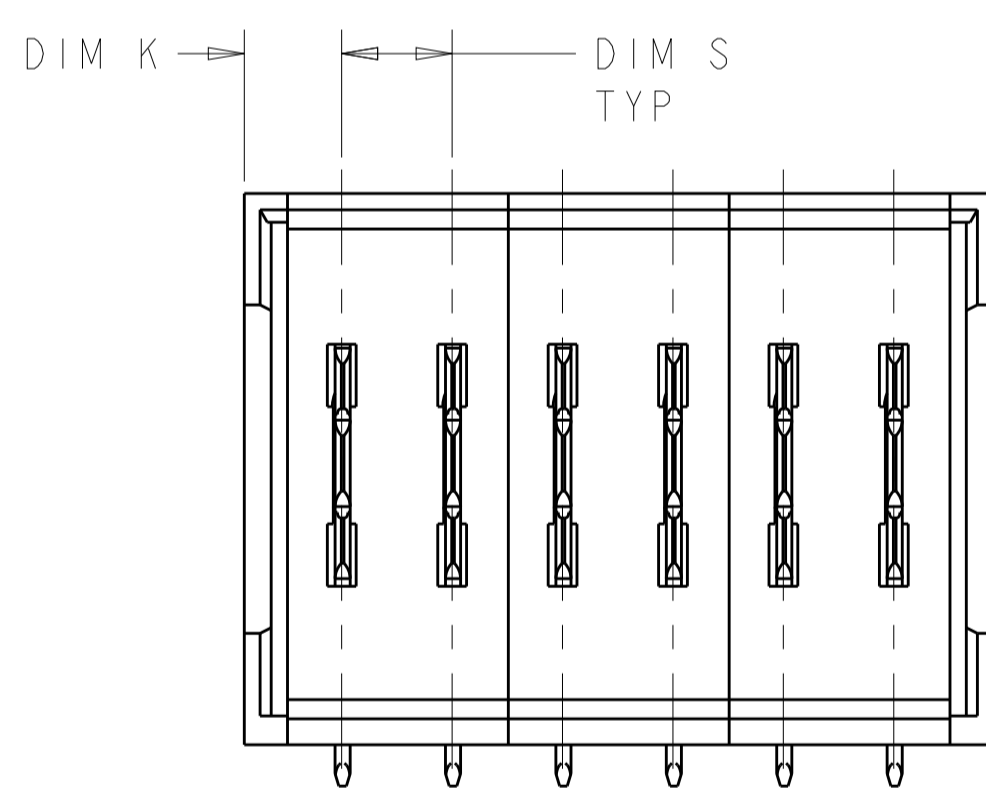
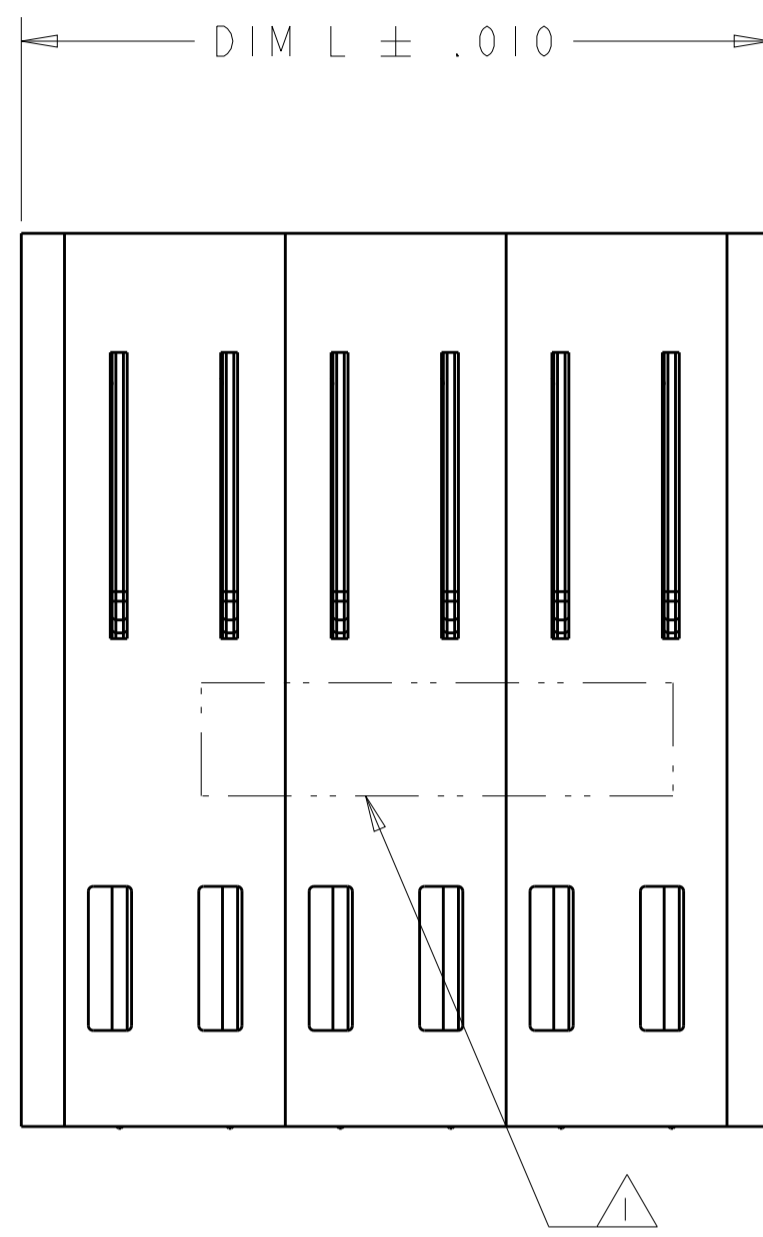


LOC	DIST	REVISIONS					
		P	LTN	DESCRIPTION	DATE	DMN	APVD
ES	00		D3	ADD NEW DASH NUMBER 1-5	20MAR2015	CZ	SZ




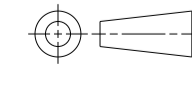
- △ "AMP" PART NUMBER AND DATE CODE TO BE MARKED IN AREA SHOWN. PARTS UNDER 2.00 LONG MAY BE MARKED ON BOTH SIDES.
- △ MATERIAL: HOUSING - GLASS FILLED HIGH TEMP THERMO PLASTIC, UL94 V-0  
POWER CONTACT - HIGH CONDUCTIVITY COPPER ALLOY
- △ CONTACT PLATING: NOBLE METAL PLATING ON CONTACT FUNCTIONAL AREA OF POWER AND SIGNAL CONTACTS
- △ MECHANICAL CONNECTOR KEEP OUT ZONE
- △ DATUM AND BASIC DIMENSIONS ESTABLISHED BY CUSTOMER
- △ PCB - ALL HOLE DIAMETERS ARE FINISHED HOLE SIZES.
- △ PCB - .0453±.0010 DRILLED HOLES WITH .0003 WITH Sn OVER .001 TO .003 Cu PLATING TO ACHIEVE A .040±.003 DIA HOLE
- △ PLEASE REFER TO PART VIEW FOR DETAIL DIMENSIONS.

THIS DRAWING IS A CONTROLLED DOCUMENT.		DMN H. LIU CHK S. ZHAO APVD S. YAO	30APR2008 30APR2008	<b>STE</b> TE Connectivity
DIMENSIONS: INCHES	TOLERANCES UNLESS OTHERWISE SPECIFIED: 0 PLC ±. 1 PLC ±.01 2 PLC ±.01 3 PLC ±.005 4 PLC ±.0020 ANGLES ±.7°	NAME S. YAO	PRODUCT SPEC 108-2292	
MATERIAL FINISH		APPLICATION SPEC 114-13038	RESTRICTED TO	RIGHT ANGLE HEADER ASSEMBLY NO GUIDES MULTI-BEAM XLE
CUSTOMER DRAWING		WEIGHT	SIZE A100779	CAGE CODE 6450849
		SCALE 4:1	SHEET 1	OF 8
		REV D3		

THIS DRAWING IS UNPUBLISHED. RELEASED FOR PUBLICATION 20  
 © COPYRIGHT 20 BY - ALL RIGHTS RESERVED.

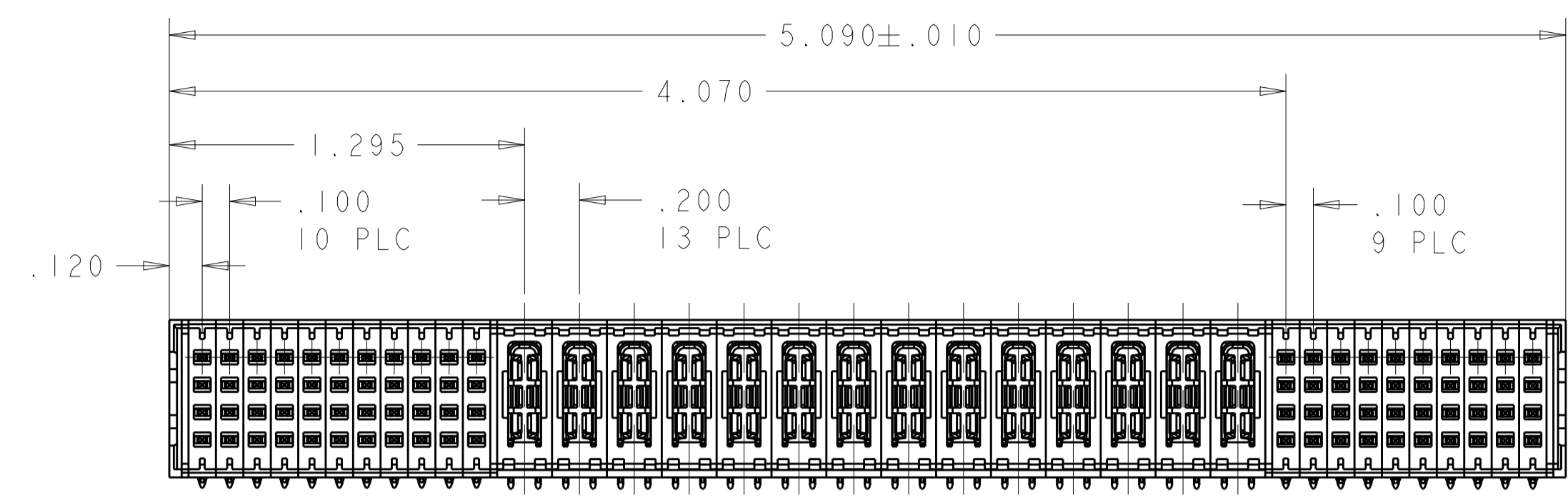
LOC	DIST	REVISIONS					
		P	LTN	DESCRIPTION	DATE	DWN	APVD
ES	00	-		SEE SHEET 1	-	-	-

.115	-	-	.1025	.435	3LP	1-6450849-5
.115	-	-	.1025	.320	2LP	1-6450849-4
-	1.2675	.260	.1025	1.370	1LP + 40S + 1LP	1-6450849-3 <sup>8</sup>
-	-	-	-	.450	2P	1-6450849-2 <sup>8</sup>
-	-	-	-	.540	2P	1-6450849-0 <sup>8</sup>
-	-	-	-	-	2HDP + 3LP + 40S + 4LP + 2HDP	6450849-9 <sup>8</sup>
-	.5175	.260	.1025	.630	1LP + 8S + 1LP	6450849-8 <sup>8</sup>
-	-	-	-	-	2ACP+1LP+32S+3HDP+1LP+1HDP	6450849-7 <sup>8</sup>
-	-	-	-	-	8P	6450849-4 <sup>8</sup>
-	-	-	-	-	12P	6450849-3 <sup>8</sup>
-	-	-	-	-	44S+14P+40S	6450849-2 <sup>8</sup>
.115	-	-	.1025	.780	6LP	6450849-1
DIM S	DIM R	DIM W	DIM K	DIM L	DESCRIPTION	PART NUMBER

THIS DRAWING IS A CONTROLLED DOCUMENT.		DWN	30APR2008	 TE Connectivity
		CHK	30APR2008	
DIMENSIONS:		TOLERANCES UNLESS OTHERWISE SPECIFIED:		NAME RIGHT ANGLE HEADER ASSEMBLY NO GUIDES MULTI-BEAM XLE
INCHES		0 PLC ±. 1 PLC ±.01 2 PLC ±.01 3 PLC ±.005 4 PLC ±.0020 ANGLES ±.2°		
		FINISH		PRODUCT SPEC 108-2292 APPLICATION SPEC 114-13038
MATERIAL		WEIGHT		SIZE CAGE CODE DRAWING NO A100779C=6450849
		CUSTOMER DRAWING		RESTRICTED TO SCALE 4:1 SHEET 2 OF 8 REV D3

LOC	DIST	REVISIONS			
P	LTN	DESCRIPTION	DATE	OWN	APVD
-	-	SEE SHEET 1	-	-	-

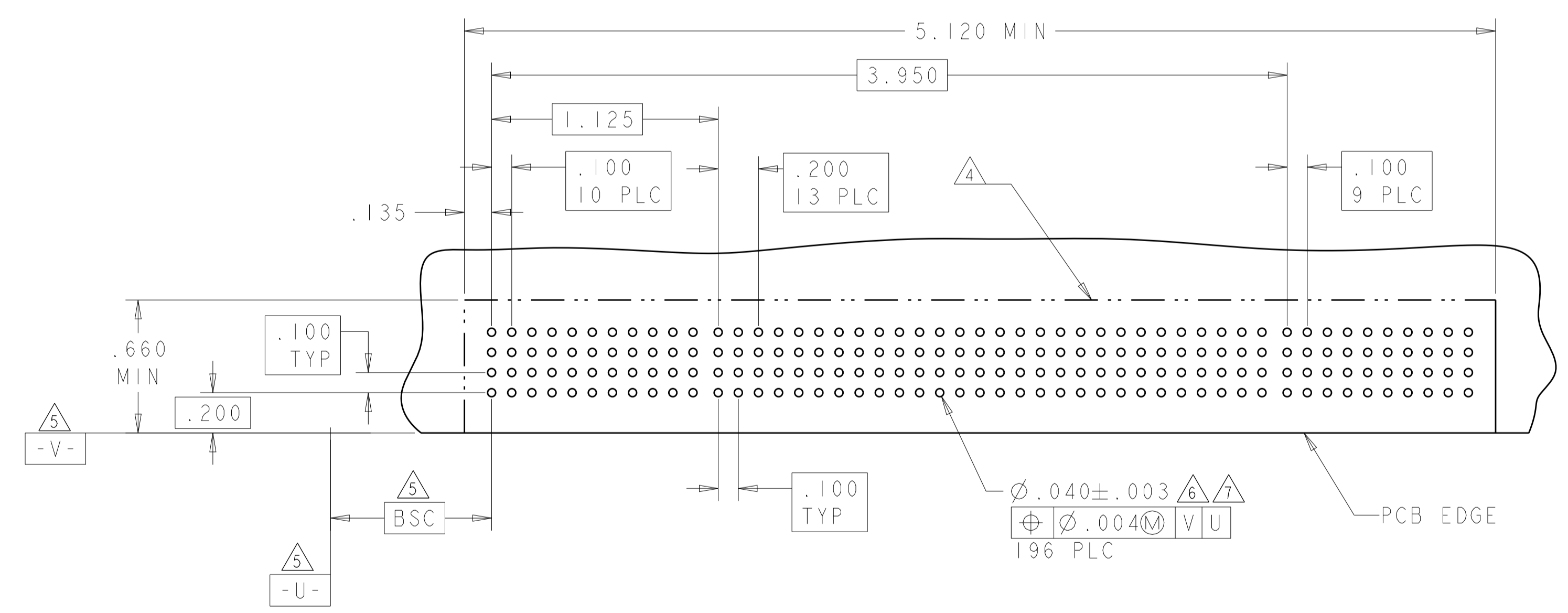
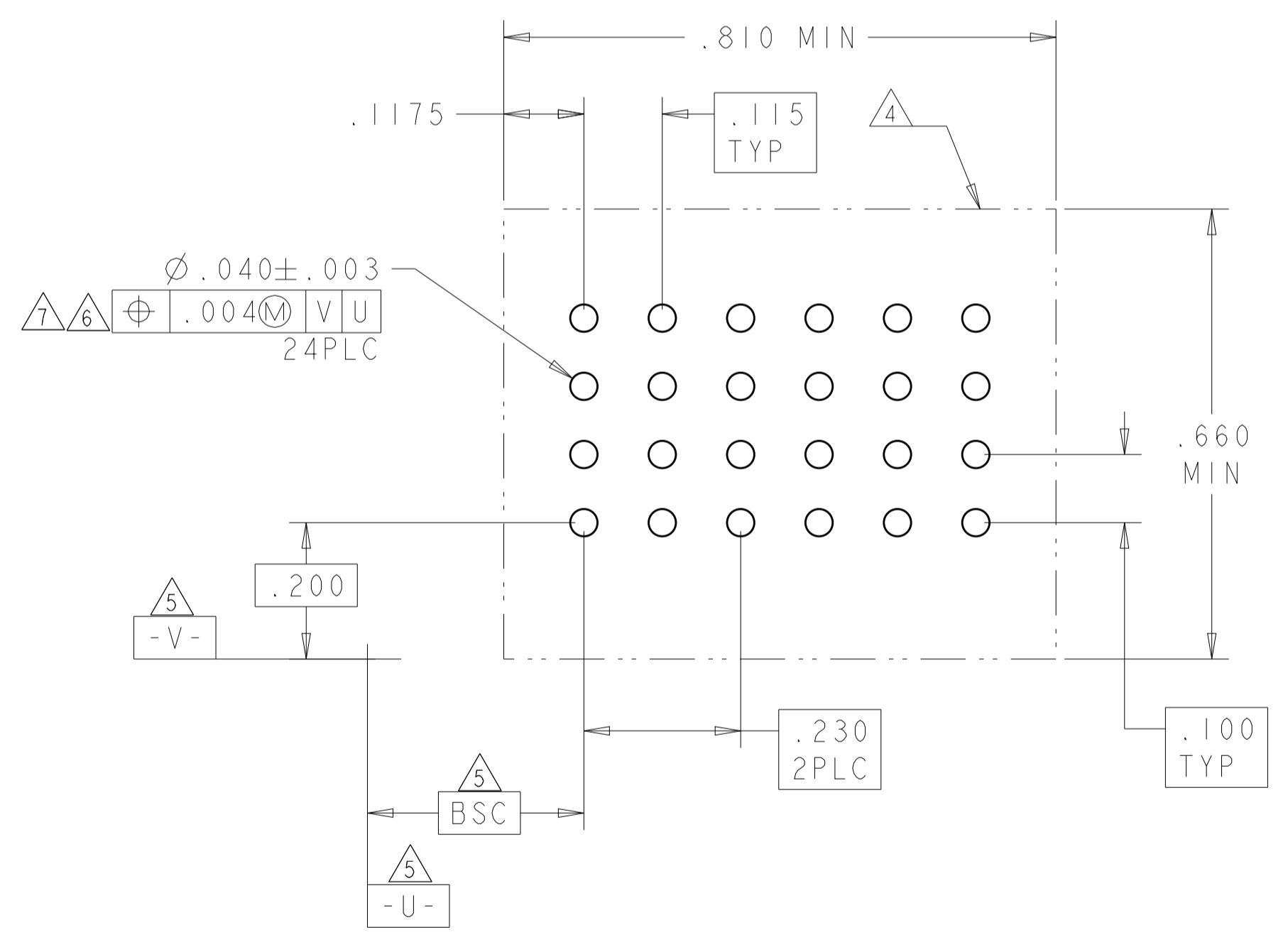
PART NUMBER	POWER					
	LP1	LP2	LP3	LP4	LP5	LP6
6450849-1	LT	LT	LT	LTF	LTF	LTF
6 LP						



PART NUMBER: 6450849-2

ASSY PART NUMBER	ROWS	SIGNAL										POWER										SIGNAL												
		1	2	3	4	5	6	7	8	9	10	P1	P2	P3	P4	P5	P6	P7	P8	P9	P10	P11	P12	P13	P14	1	2	3	4	5	6	7	8	9
6450849-2	D	Z5	Z5	Z5	Z5	Z5	Z5	Z5	Z5	Z5	TT	TT	TT	TT	TT	TT	TT	TT	TT	TT	TT	TT	TT	TT	Z5	Z5	Z5	Z5	Z5	Z5	Z5	Z5	Z5	Z5
	C	Y5	Y5	Y5	Y5	Y5	Y5	Y5	Y5	Y5	TT	TT	TT	TT	TT	TT	TT	TT	TT	TT	TT	TT	TT	TT	Y5	Y5	Y5	Y5	Y5	Y5	Y5	Y5	Y5	Y5
	B	R5	R5	R5	R5	R5	R5	R5	R5	R5	TT	TT	TT	TT	TT	TT	TT	TT	TT	TT	TT	TT	TT	TT	R5	R5	R5	R5	R5	R5	R5	R5	R5	R5
	A	O5	O5	O5	O5	O5	O5	O5	O5	O5	TT	TT	TT	TT	TT	TT	TT	TT	TT	TT	TT	TT	TT	TT	O5	O5	O5	O5	O5	O5	O5	O5	O5	O5

44S + 14P + 40S



O1	.120 SIGNAL PRESS FIT CON, ROW A,MLBF
Z5	.120 SIGNAL PRESS FIT CON, ROW D,STD
Y5	.120 SIGNAL PRESS FIT CON, ROW C,STD
R5	.120 SIGNAL PRESS FIT CON, ROW B,STD
O5	.120 SIGNAL PRESS FIT CON, ROW A,STD
TT	.120 PRESS FIT POWER CON
LTF	MFBL, .120 TAIL LENGTH, PRESS FIT.
LT	STD, .120 TAIL LENGTH, PRESS FIT.
CODE	DESCRIPTION
	POWER CONTACT

THIS DRAWING IS A CONTROLLED DOCUMENT.

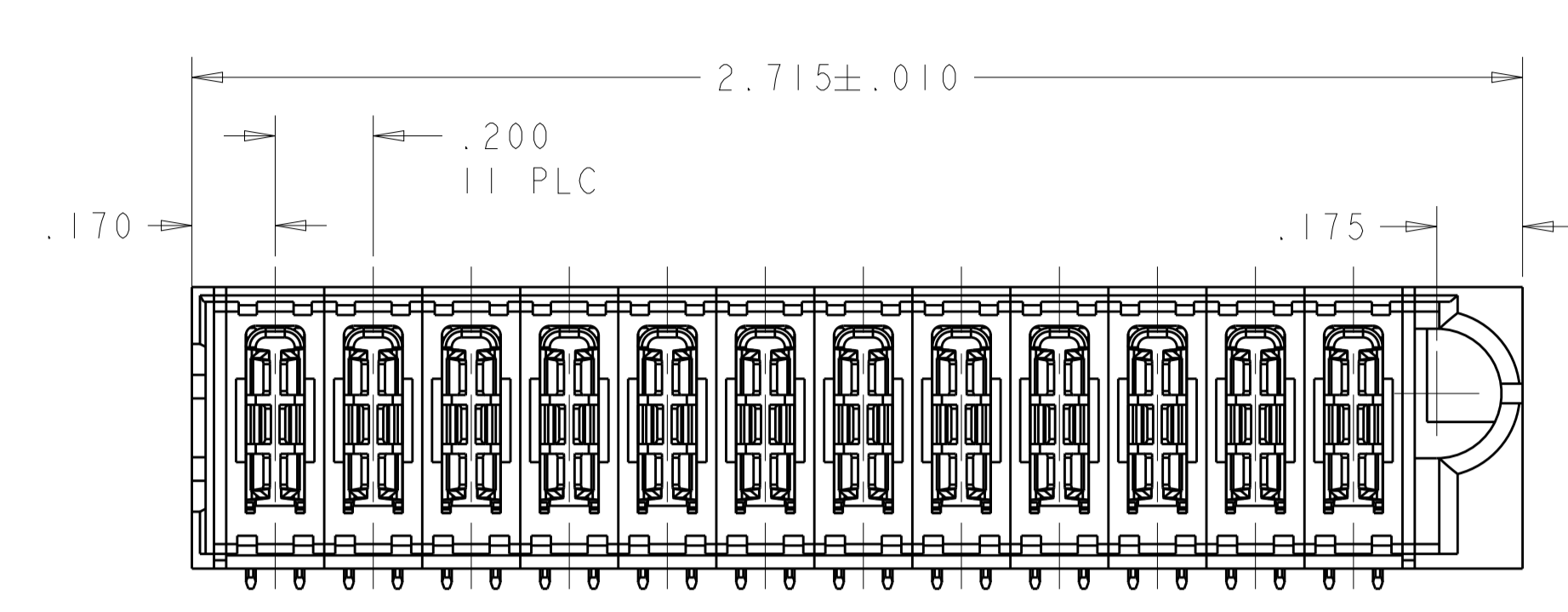
DIMENSIONS: INCHES  
 TOLERANCES UNLESS OTHERWISE SPECIFIED:  
 0 PLC ±.  
 2 PLC ±.01  
 3 PLC ±.01  
 4 PLC ±.0020  
 ANGLES ±.020  
 FINISH: \*P\*

DWG: H.LIU 30APR2008  
 CHK: S.ZHAO 30APR2008  
 APVD: S.YAO  
 PRODUCT SPEC: 108-2292  
 APPLICATION SPEC: 114-13038  
 WEIGHT: -  
 CUSTOMER DRAWING

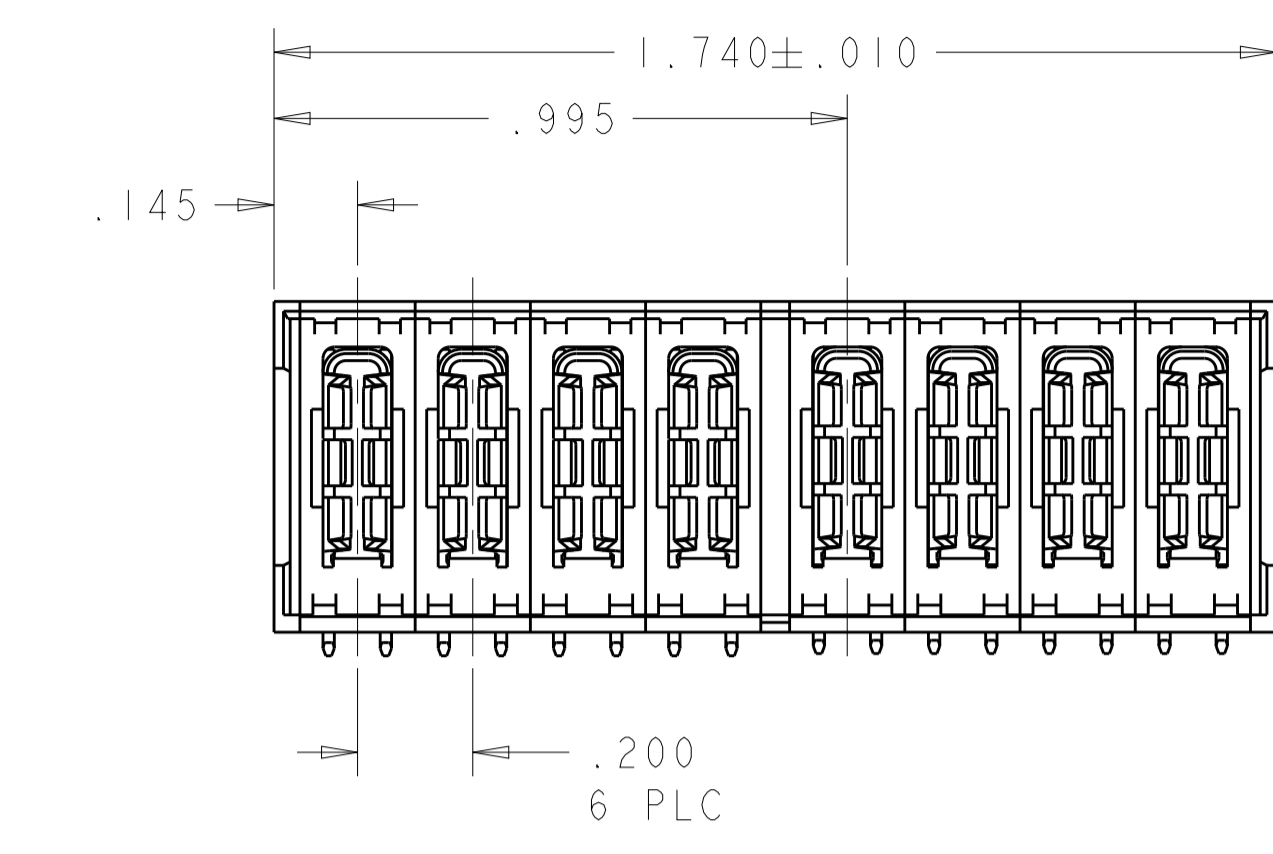
NAME: RIGHT ANGLE HEADER ASSEMBLY NO GUIDES MULTI-BEAM XLE  
 SIZE: A1  
 CAGE CODE: 100779  
 DRAWING NO: 6450849  
 SCALE: 4:1  
 SHEET: 3 OF 8  
 REV: D3

**STE** TE Connectivity

LOC		DIST		REVISIONS				
ES	00	P	LTN	DESCRIPTION	DATE	DMN	APVD	
		-		SEE SHEET 1	-	-	-	

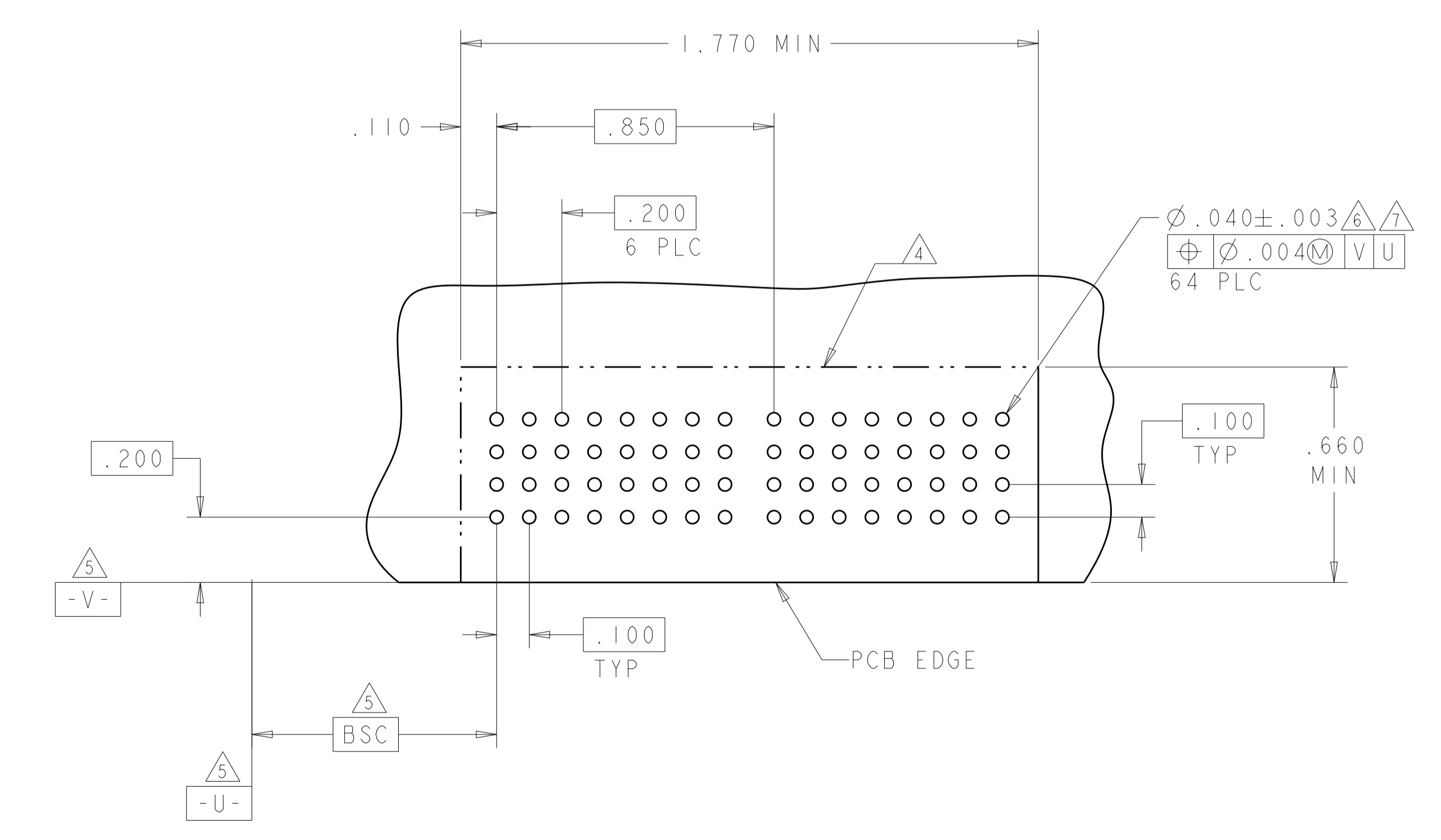
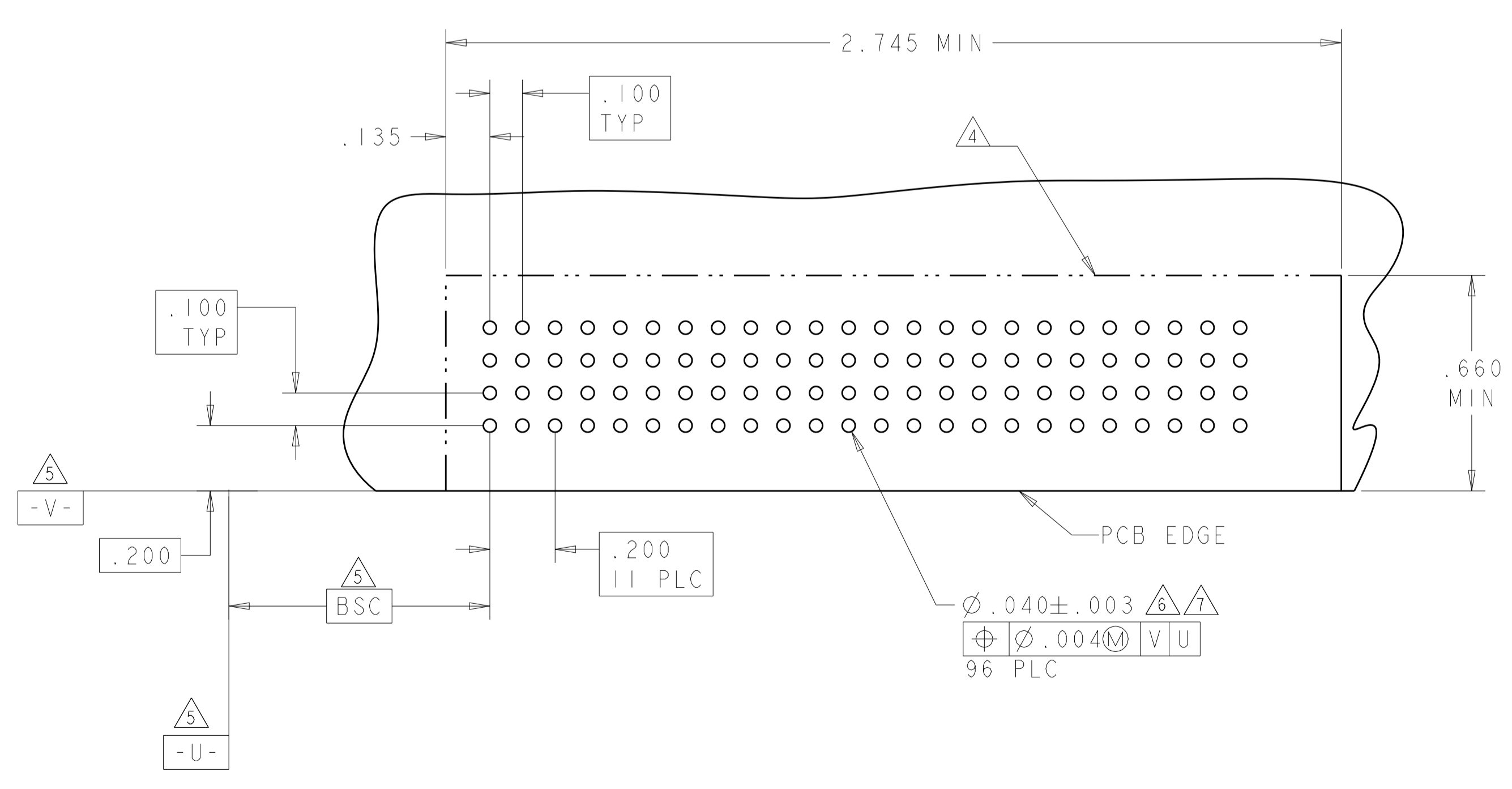


PART NUMBER: 6450849-3



ASSY PART NUMBER	POWER											
	P1	P2	P3	P4	P5	P6	P7	P8	P9	P10	P11	P12
6450849-3	TT	TT	TT	TT	TT	TT	TT	TT	TT	TT	TT	TT
12P												

PART NUMBER	ROWS	POWER							
		P1	P2	P3	P4	P5	P6	P7	P8
6450849-4	D								
	C	TT	TT	TT	TT	TT	TT	TT	TT
	B								
	A								
8P									



THIS DRAWING IS A CONTROLLED DOCUMENT. DWN: H.LIU 30APR2008  
 CHK: S.ZHAO 30APR2008

DIMENSIONS: INCHES. TOLERANCES UNLESS OTHERWISE SPECIFIED:  
 0 PLC ±.01  
 1 PLC ±.01  
 2 PLC ±.01  
 3 PLC ±.005  
 4 PLC ±.002  
 ANGLES ±.020

MATERIAL: FINISH:

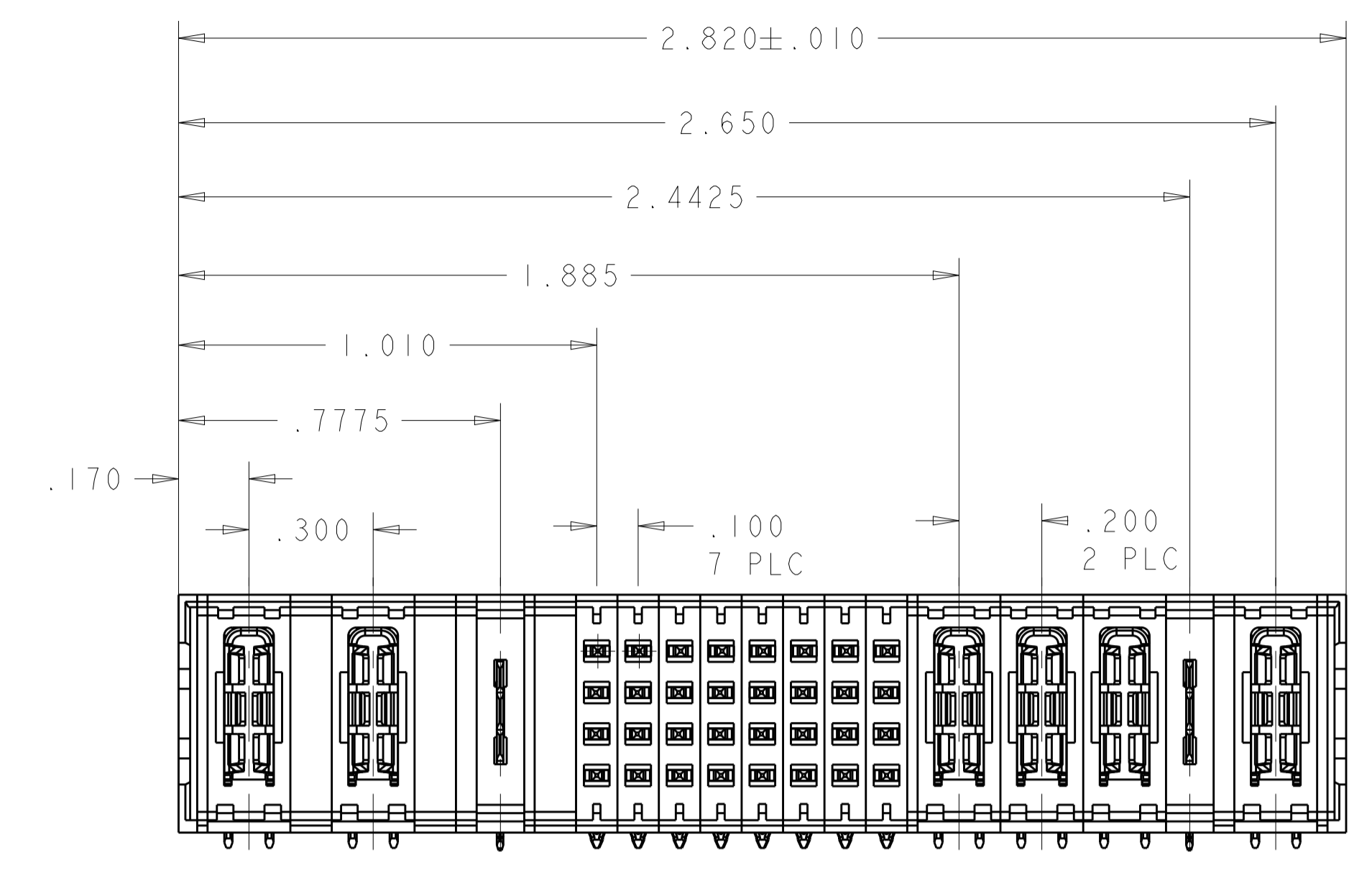
APVD: S.YAO  
 PRODUCT SPEC: 108-2292  
 APPLICATION SPEC: 114-13038  
 WEIGHT: CUSTOMER DRAWING

NAME: RIGHT ANGLE HEADER ASSEMBLY NO GUIDES MULTI-BEAM XLE  
 SIZE: A1  
 CAGE CODE: 100779  
 DRAWING NO: 6450849

RESTRICTED TO: SCALE: 4:1 SHEET 4 OF 8 REV: D3

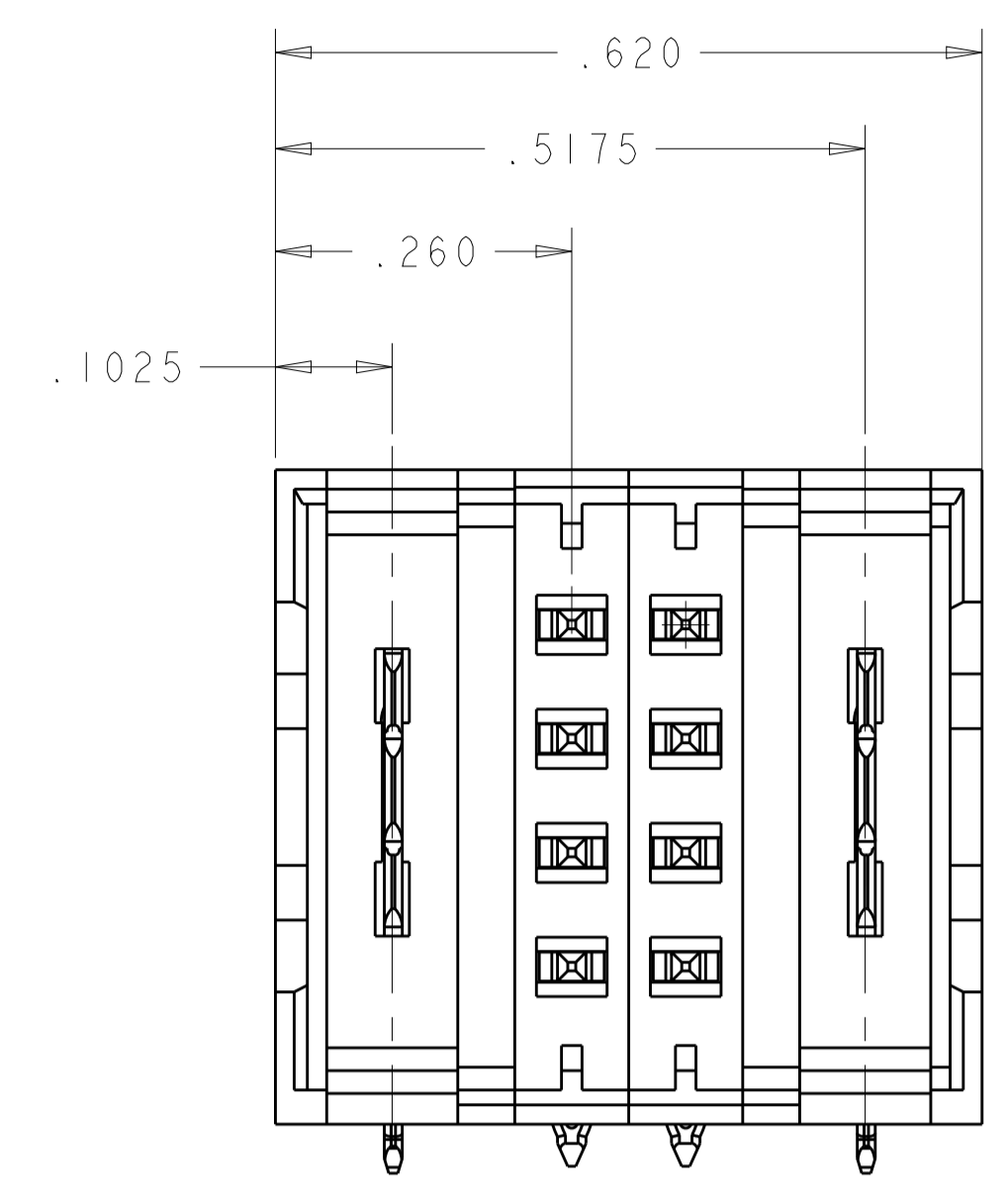
TE Connectivity

LOC		DIST		REVISIONS			
ES	00	P	LTN	DESCRIPTION	DATE	DWN	APVD
		-		SEE SHEET 1			

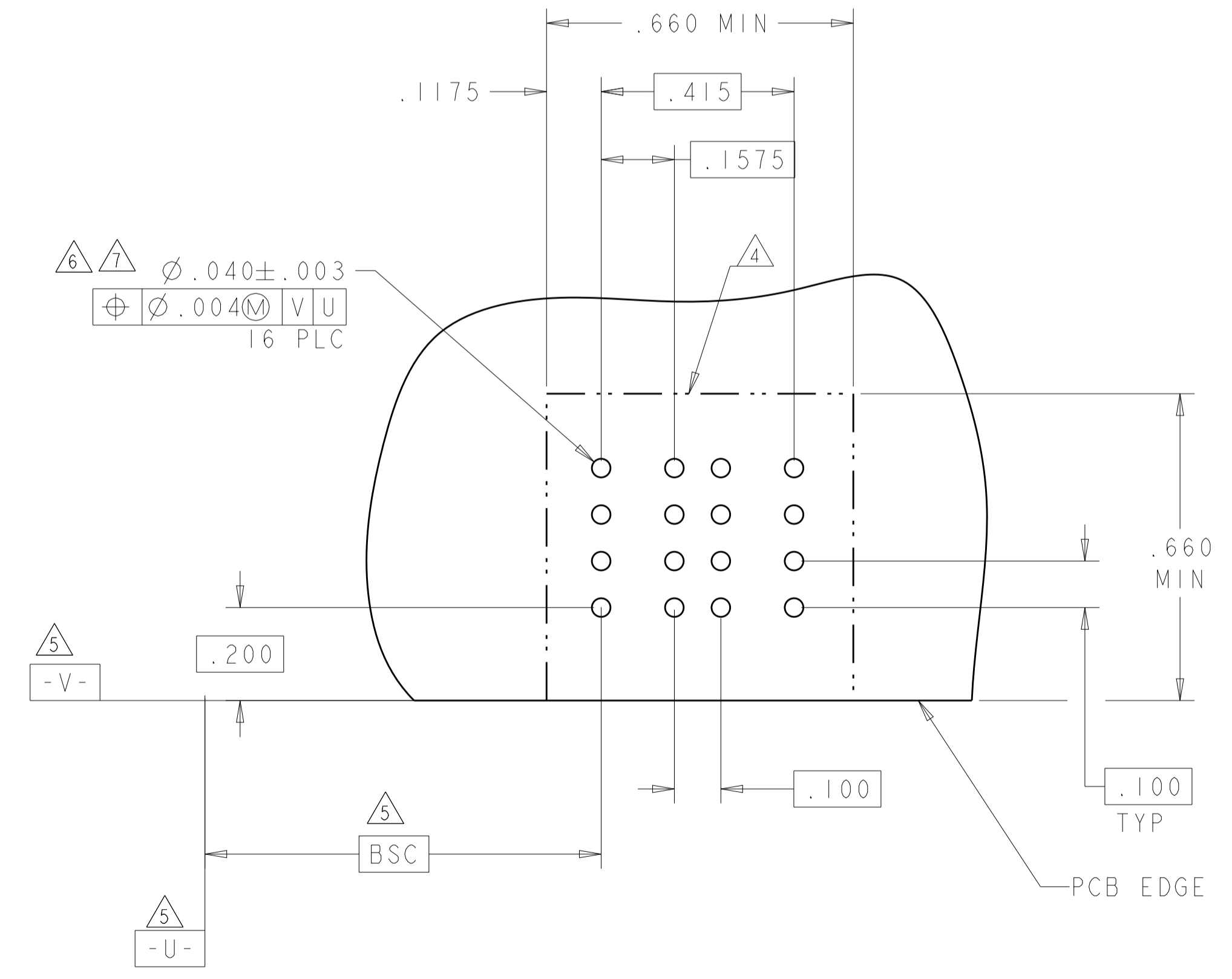
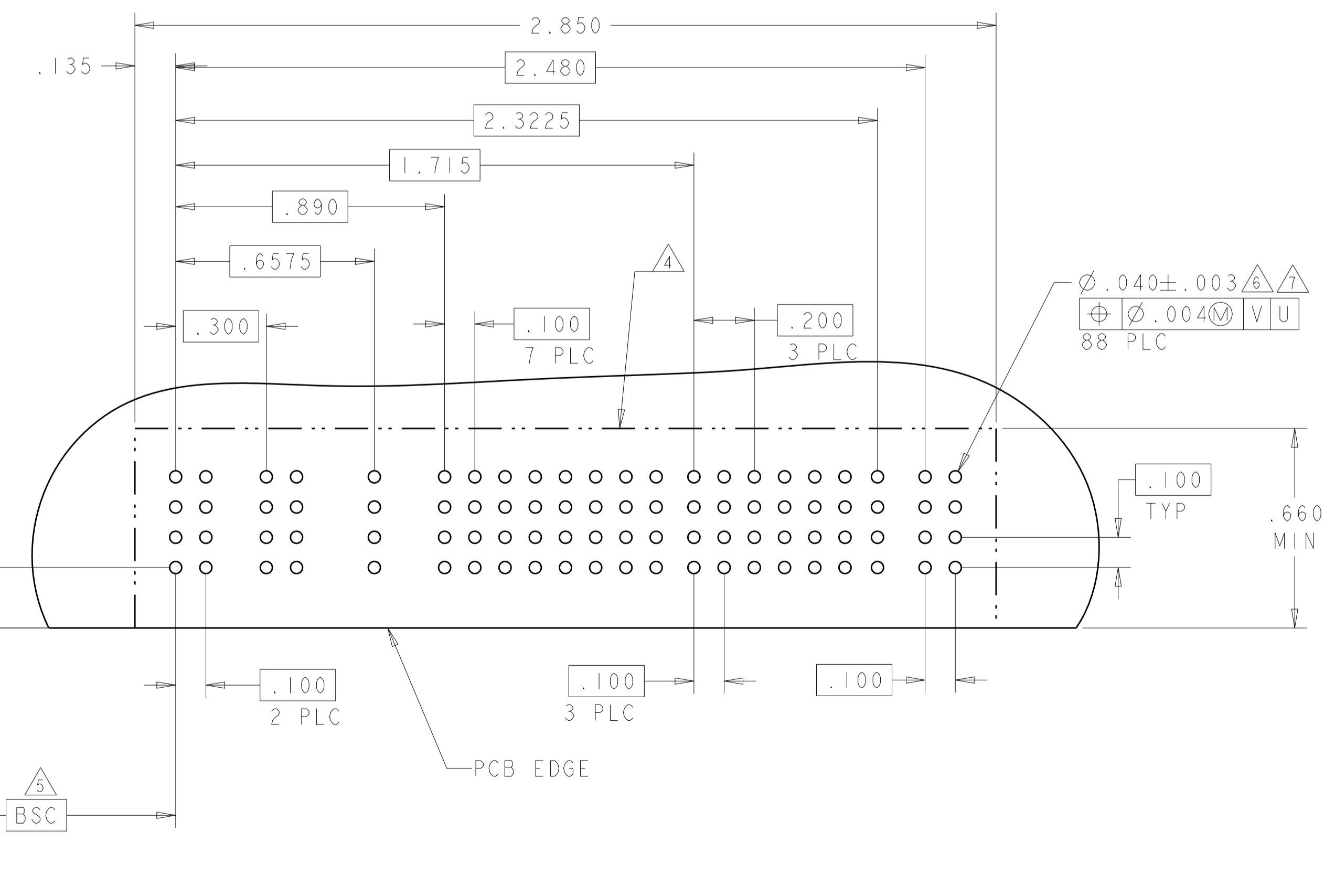


PART NUMBER	ROWS	POWER			SIGNAL								POWER					
		P1	P2	LPI	1	2	3	4	5	6	7	8	P3	P4	P5	LP2	P6	
6450849-7	D				Z5	Z5	Z5	Z5	Z5	Z5	Z5	Z5						
	C				Y5	Y5	Y5	Y5	Y5	Y5	Y5	Y5						
	B				R5	R5	R5	R5	R5	R5	R5	R5						
	A				O5	O5	O5	O5	O5	O5	O5	O1						
2ACP+1LP+32S+3HDP+1LP+1HDP																		

C2



PART NUMBER	ROWS	POWER	SIGNAL		POWER
		LPI	1	2	LP2
6450849-8	D		Z5	Z5	
	C	LT	Y5	Y5	LT
	B		R5	R5	
	A		O5	O5	
1LP + 8S + 1LP					



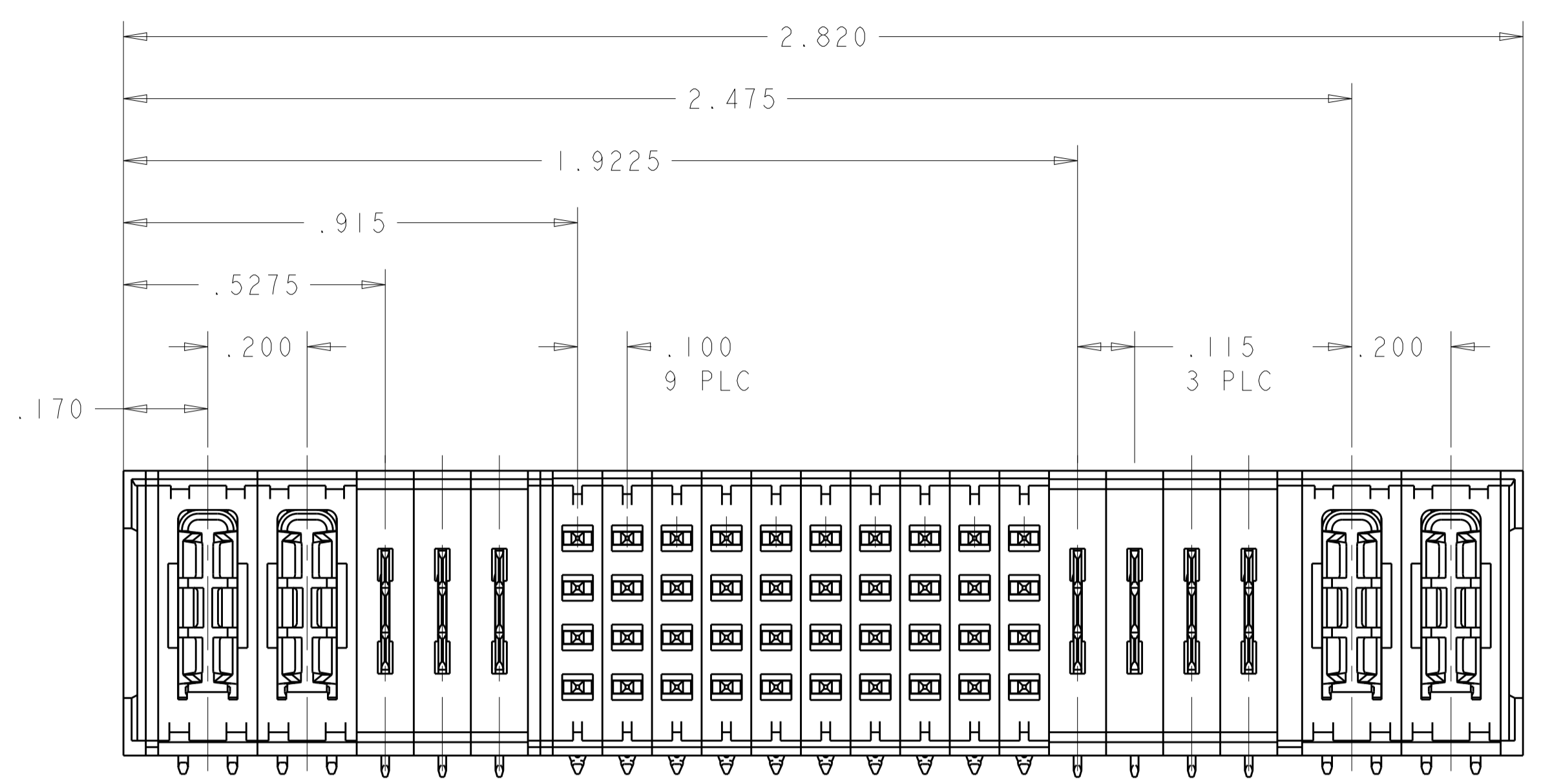
THIS DRAWING IS A CONTROLLED DOCUMENT. DWN: H.LIU 30APR2008  
 CHK: S.ZHAO 30APR2008  
 DIMENSIONS: INCHES. TOLERANCES UNLESS OTHERWISE SPECIFIED:  
 0 PLC ±.01  
 1 PLC ±.01  
 2 PLC ±.01  
 3 PLC ±.005  
 4 PLC ±.002  
 ANGLES ±.020  
 FINISH: -

APVD: S.YAO  
 PRODUCT SPEC: 108-2292  
 APPLICATION SPEC: 114-13038  
 WEIGHT: -  
 CUSTOMER DRAWING

NAME: RIGHT ANGLE HEADER ASSEMBLY NO GUIDES MULTI-BEAM XLE  
 SIZE: A1  
 CAGE CODE: 100779  
 DRAWING NO: C=6450849  
 SCALE: 4:1  
 SHEET: 5 OF 8  
 REV: D3

STE TE Connectivity

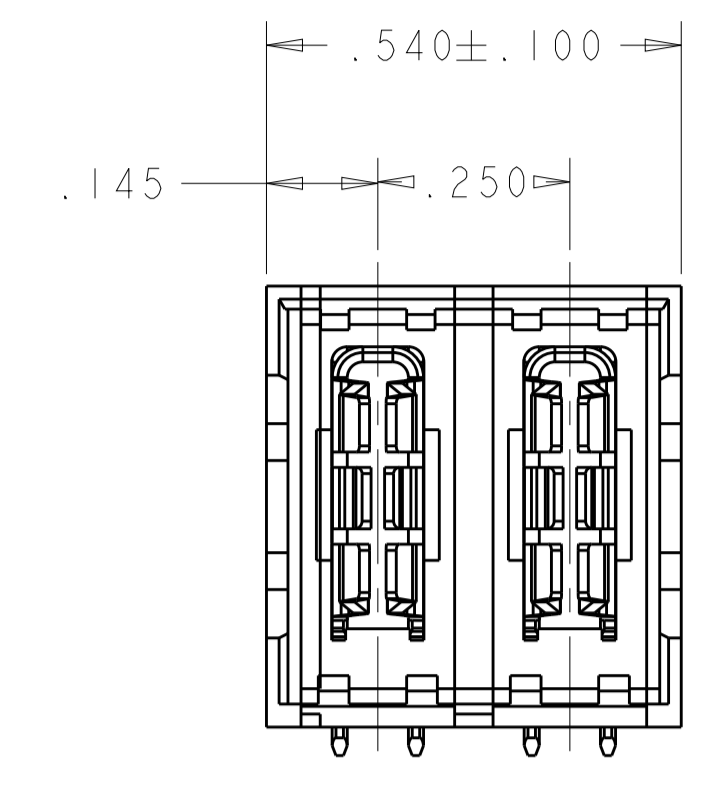
LOC	DIST	REVISIONS			
P	LTN	DESCRIPTION	DATE	DMN	APVD
ES	00	SEE SHEET 1			



C5

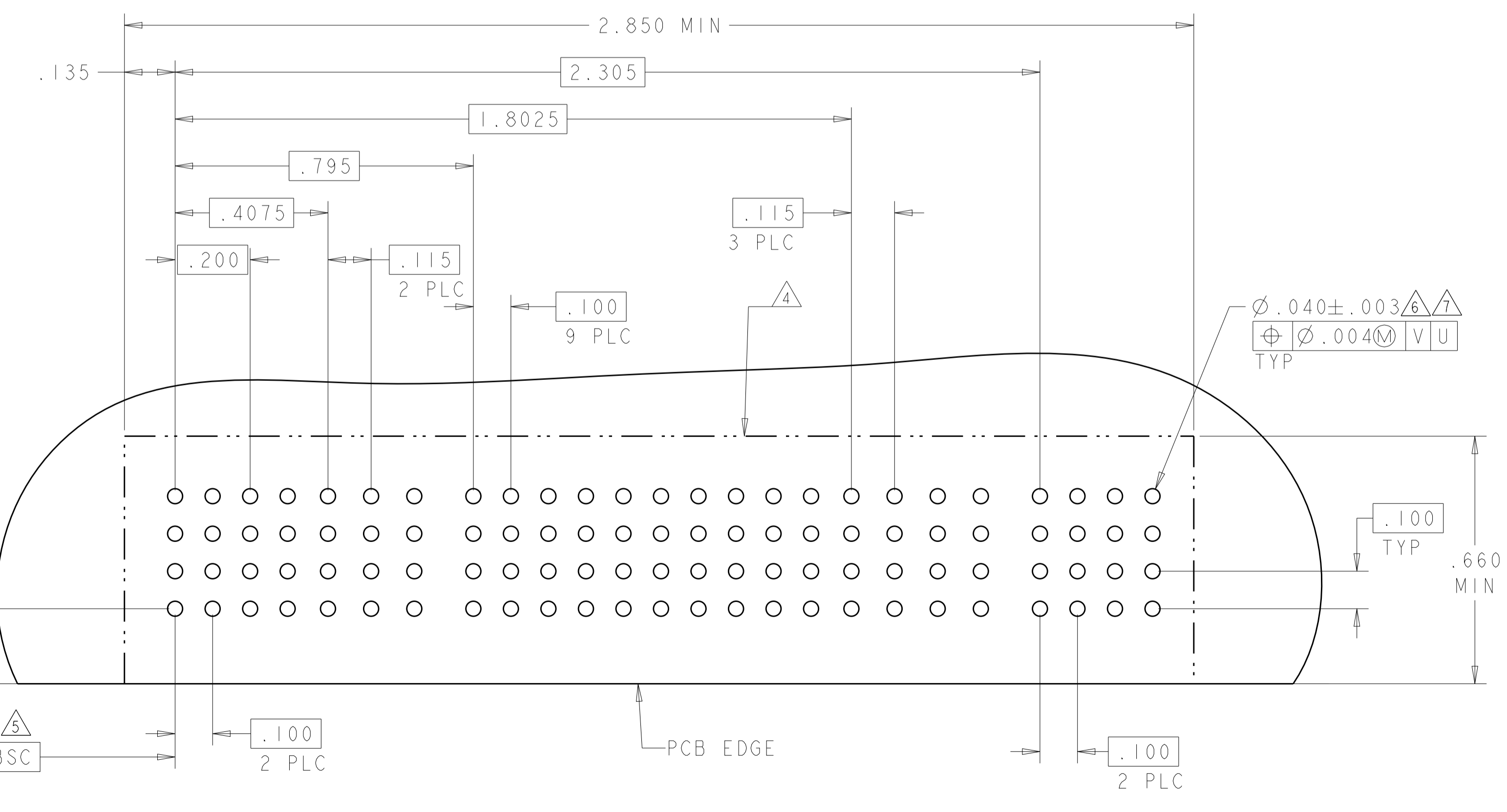
PART NUMBER	ROWS	POWER					SIGNAL										POWER					
		P1	P2	LP1	LP2	LP3	1	2	3	4	5	6	7	8	9	10	P3	P4	P5	LP2	P6	
6450849-9	D						Z5	Z5	Z5	Z5	Z5	Z5	Z5	Z5	Z5	Z5						
	C	TT	TT	LT	LT	LT	Y5	Y5	Y5	Y5	Y5	Y5	Y5	Y5	Y5							
	B						R5	R5	R5	R5	R5	R5	R5	R5	R5							
	A						O5	O5	O5	O5	O5	O5	O5	O5	O5							

2HDP+3LP+40S+4LP+2HDP

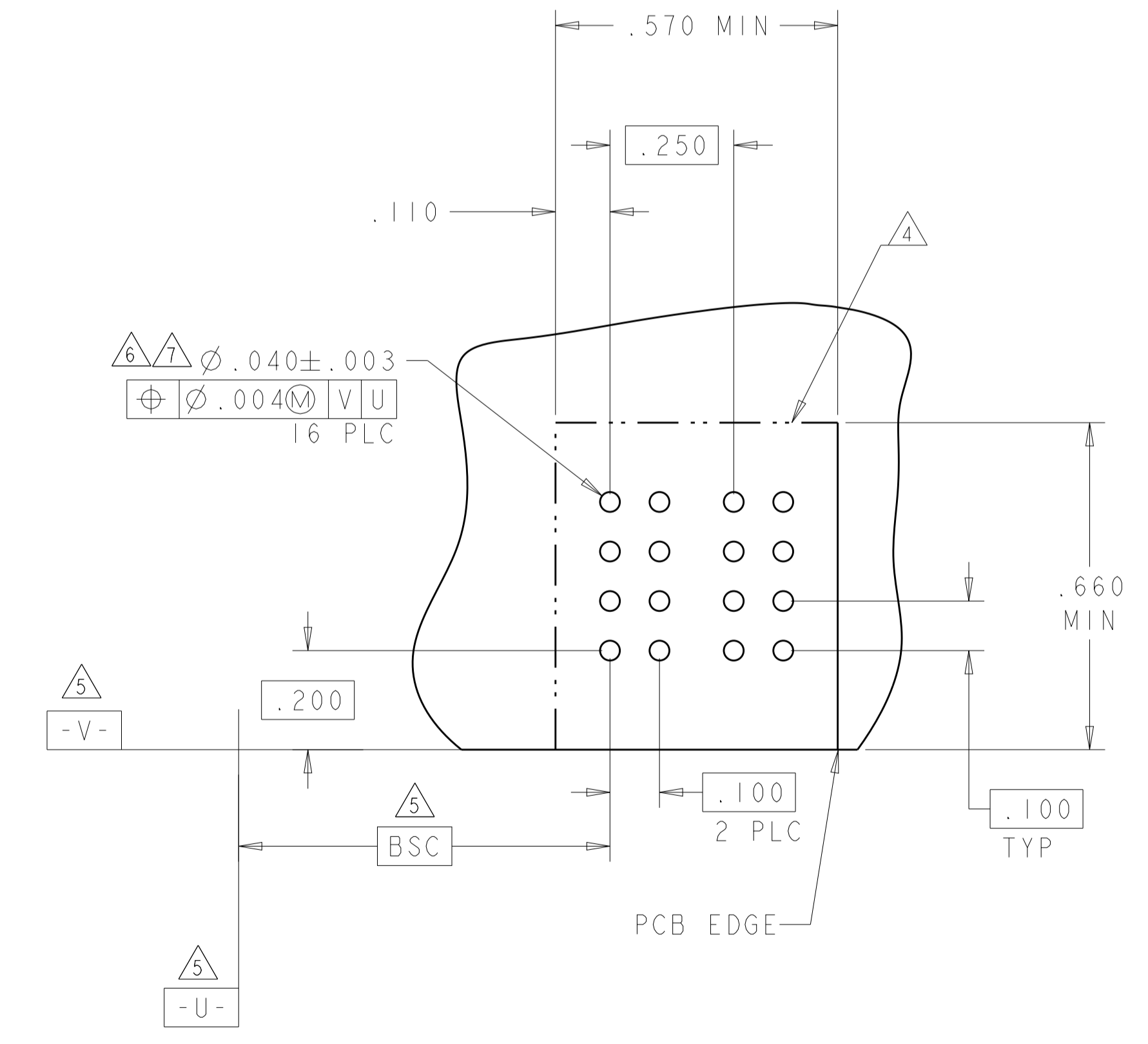


PART NUMBER	ROWS	POWER	
		P1	P2
I-6450849-0	D		
	C	TT	TT
	B		
	A		

2P



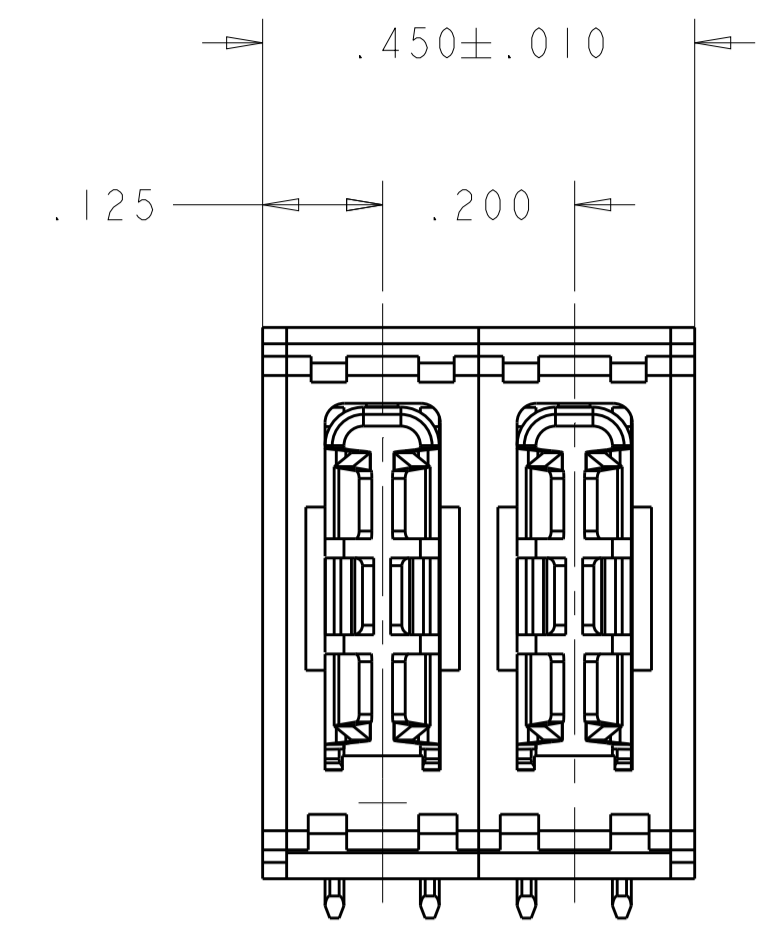
C5



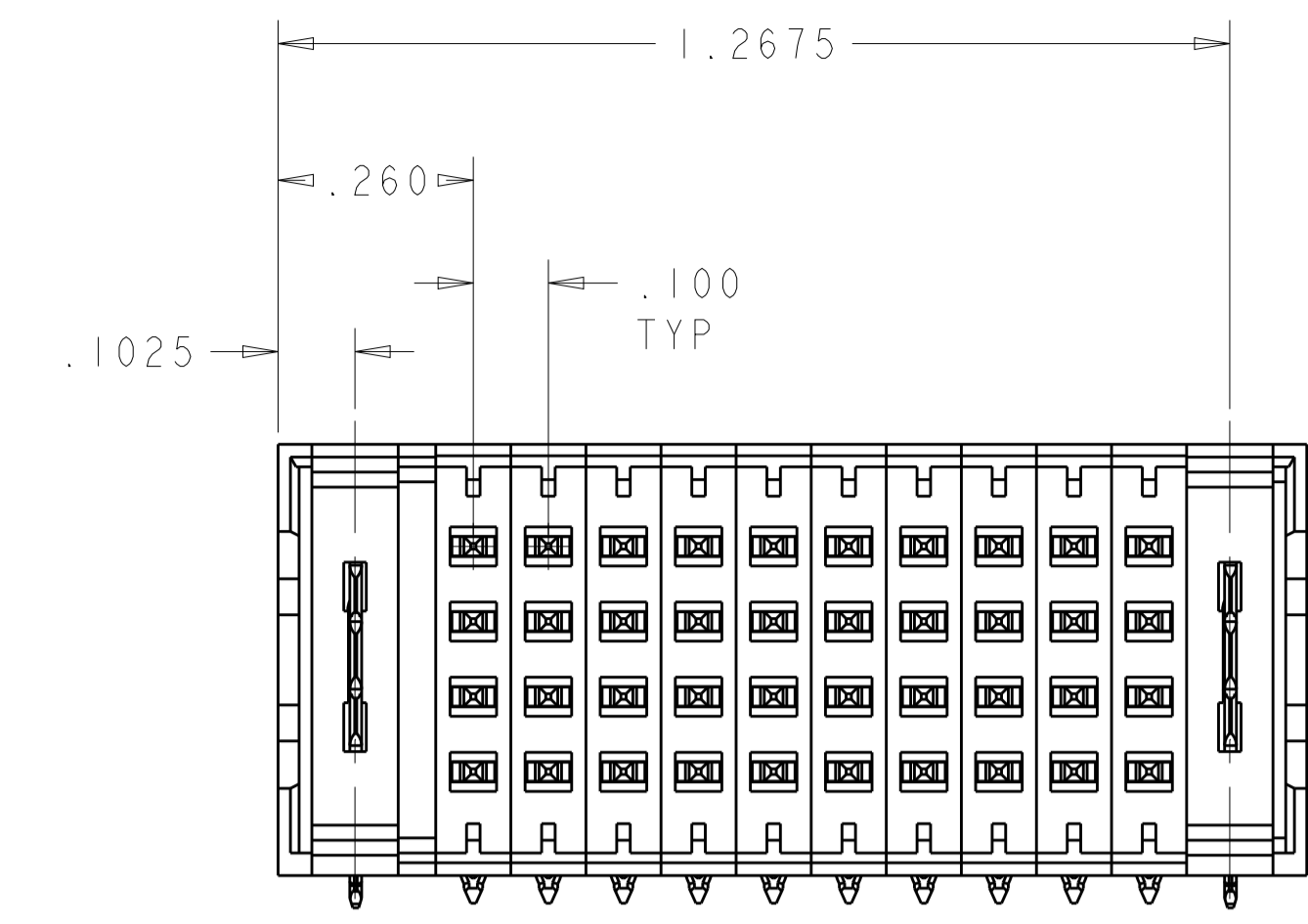
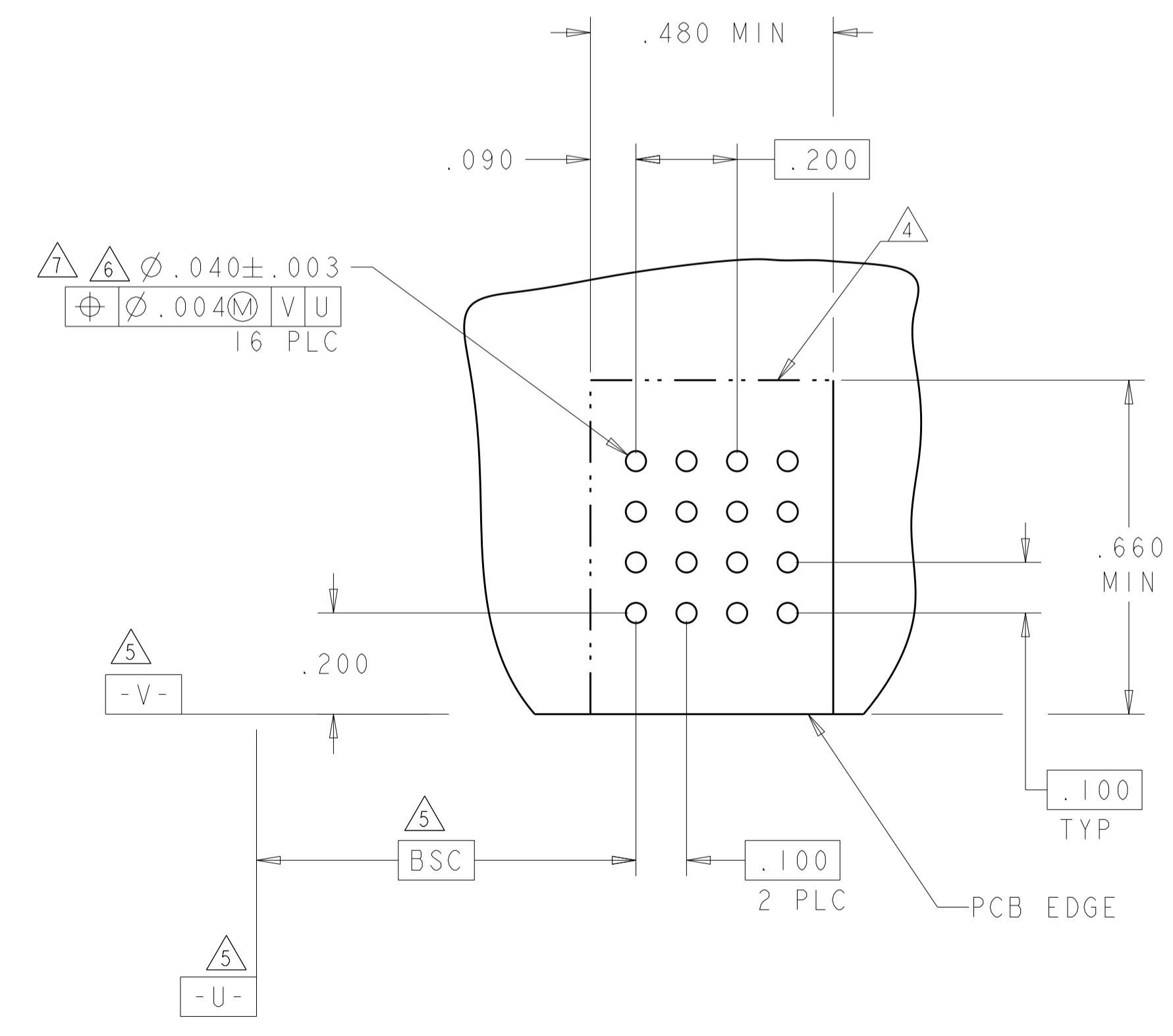
THIS DRAWING IS A CONTROLLED DOCUMENT.

DIMENSIONS:	TOLERANCES UNLESS OTHERWISE SPECIFIED:	DMN: H. LIU 30APR2008	CHK: S. ZHAO 30APR2008	 TE Connectivity
INCHES:	0 PLC ±.01	APVD: S. YAO	NAME: RIGHT ANGLE HEADER ASSEMBLY NO GUIDES MULTI-BEAM XLE	
	1 PLC ±.01	PRODUCT SPEC	108-2292	SIZE: CAGE CODE DRAWING NO
	2 PLC ±.005	APPLICATION SPEC	114-13038	RESTRICTED TO
	3 PLC ±.0020	FINISH:		A100779
MATERIAL:		WEIGHT:		C=6450849
		CUSTOMER DRAWING	SCALE: 4:1	SHEET 6 OF 8

LOC		DIST		REVISIONS			
ES	00	P	LTN	DESCRIPTION	DATE	DWN	APVD
		-		SEE SHEET 1			

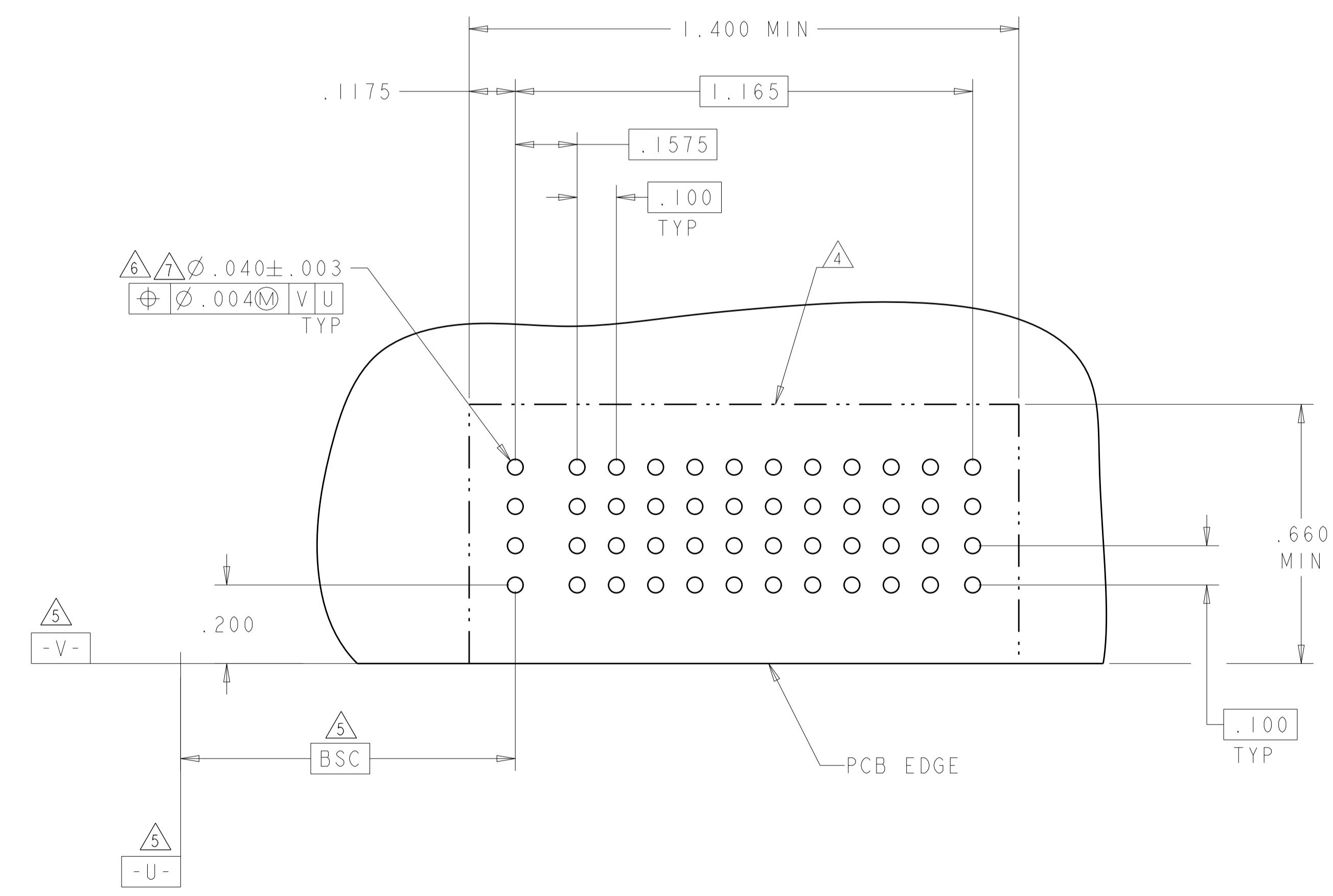


PART NUMBER	ROWS	POWER	
		P1	P2
I-6450849-2	D	TT	TT
	C		
	B		
	A		
2P			



OTHER DIMENSIONS PLEASE REFER TO PAGE 1

PART NUMBER	ROWS	POWER		SIGNAL										POWER	
		LP1		1	2	3	4	5	6	7	8	9	10	LP2	
I-6450849-3	D	LT		Z5	Z5	Z5	Z5	Z5	Z5	Z5	Z5	Z5	Z5	Z5	LT
	C			Y5	Y5	Y5	Y5	Y5	Y5	Y5	Y5	Y5	Y5		
	B			R5	R5	R5	R5	R5	R5	R5	R5	R5	R5	R5	
	A			O5	O5	O5	O5	O5	O5	O5	O5	O5	O5	O5	
ILP + 40S + ILP															



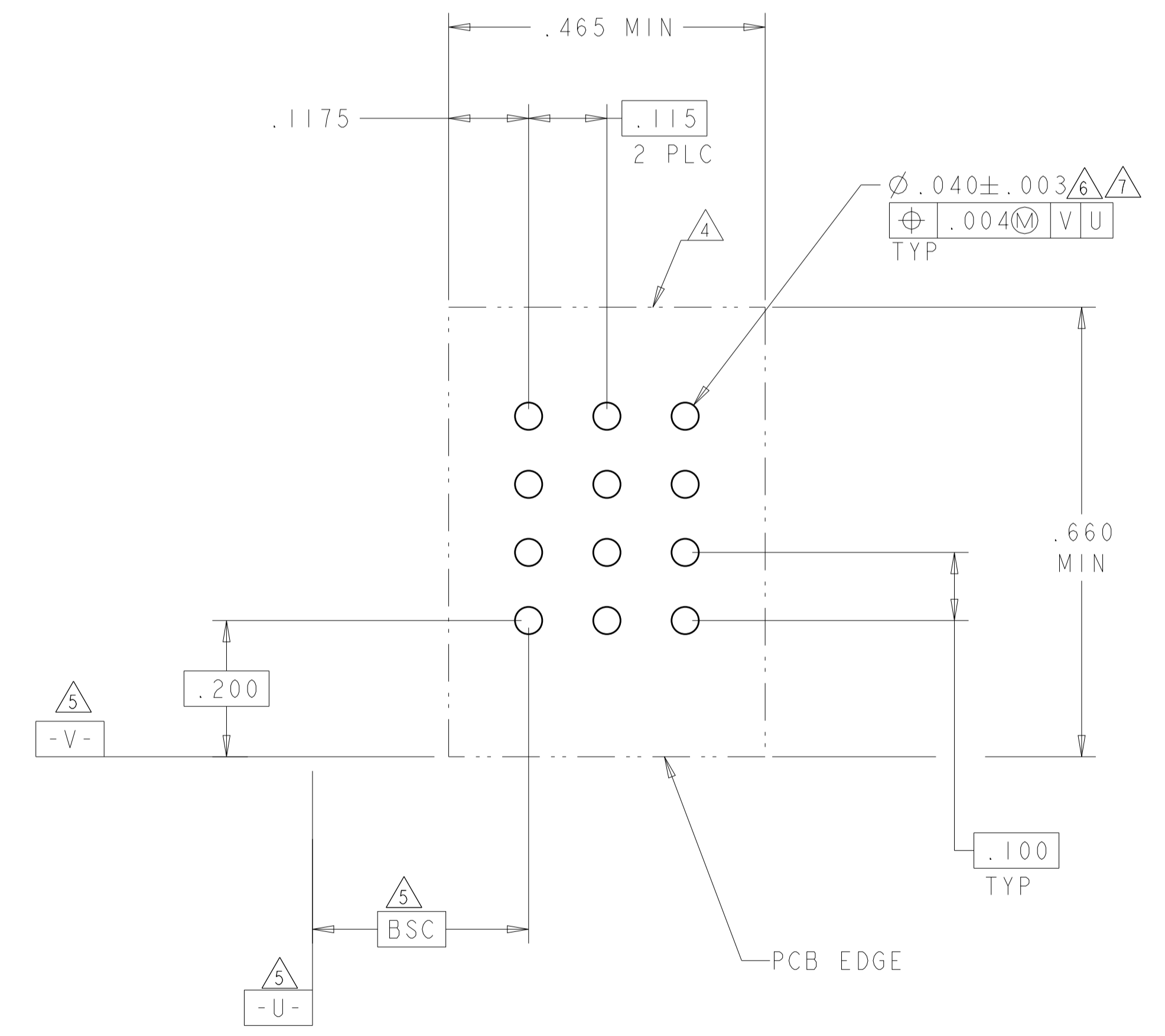
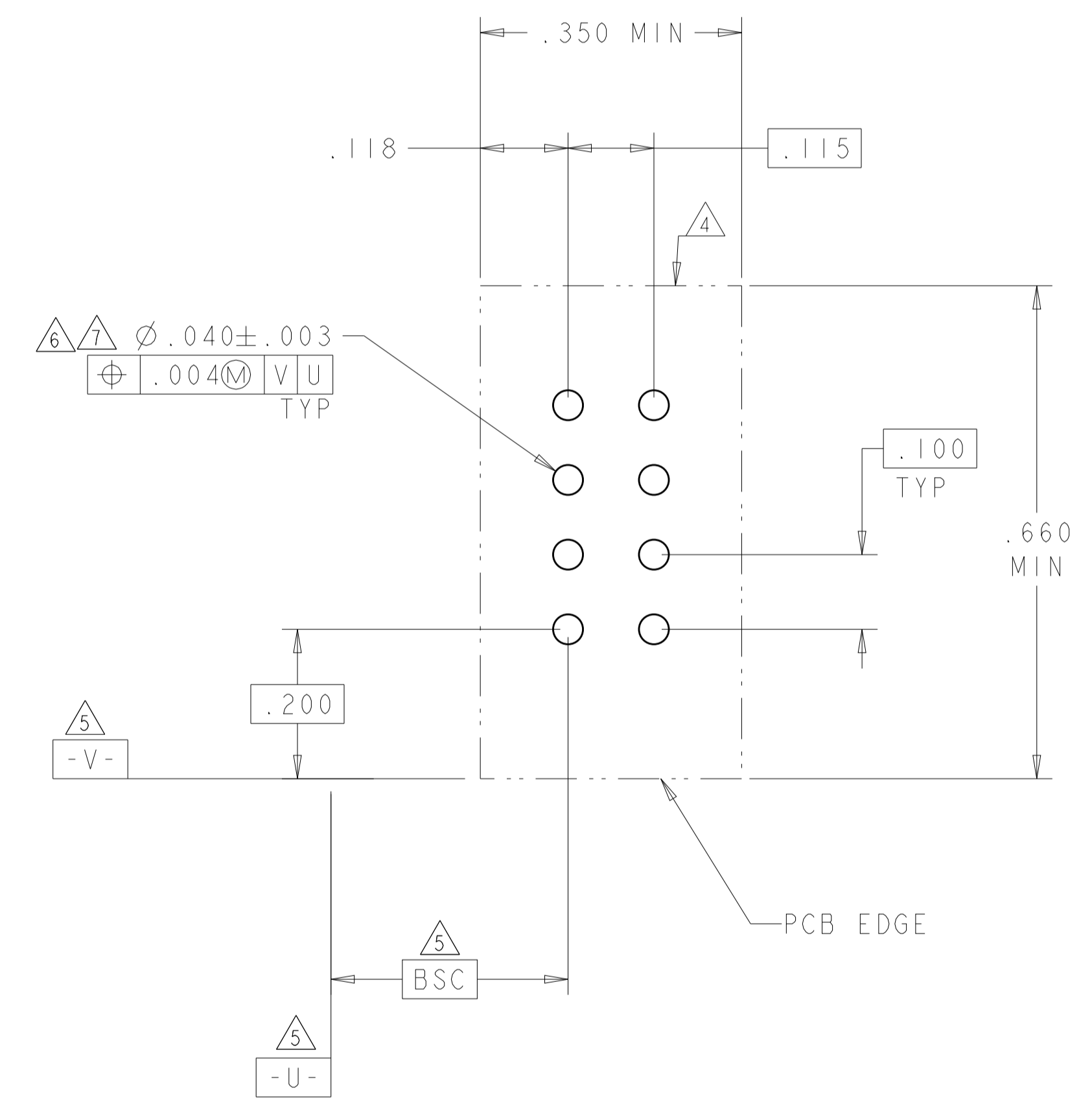
THIS DRAWING IS A CONTROLLED DOCUMENT.

DIMENSIONS:	TOLERANCES UNLESS OTHERWISE SPECIFIED:	DWN: H.LIU 30APR2008	CHK: S.ZHAO 30APR2008
INCHES	0 PLC ±.01	APVD: S.YAO	NAME: RIGHT ANGLE HEADER ASSEMBLY NO GUIDES MULTI-BEAM XLE
	1 PLC ±.01	PRODUCT SPEC: 108-2292	SIZE: A1
	2 PLC ±.01	APPLICATION SPEC: 114-13038	CAGE CODE: 6450849
	3 PLC ±.005	WEIGHT: -	RESTRICTED TO: -
	4 PLC ±.0020	CUSTOMER DRAWING	SCALE: 4:1 SHEET 7 OF 8 REV: D3
	ANGLES ±.0020		
MATERIAL: -	FINISH: -		

LOC	DIST	REVISIONS			
P	LTN	DESCRIPTION	DATE	DMN	APVD
ES	00	SEE SHEET 1	-	-	-

PART NUMBER	ROWS	LOW POWER	
		LPI	LP2
I-6450849-4	D	LT	LT
	C		
	B		
	A		
2LP			

PART NUMBER	ROWS	LOW POWER		
		LPI	LP2	LP3
I-6450849-5	D	LT	LT	LT
	C			
	B			
	A			
3 LP				



THIS DRAWING IS A CONTROLLED DOCUMENT.

DIMENSIONS: INCHES	TOLERANCES UNLESS OTHERWISE SPECIFIED: 0 PLC ±. 2 PLC ±.01 3 PLC ±.005 4 PLC ±.0020 ANGLES ±.2°	FINISH	APVD: S. YAO	DATE: 30APR2008	CHK: S. ZHAO	DATE: 30APR2008	NAME: S. YAO	PRODUCT SPEC: 108-2292	APPLICATION SPEC: 114-13038	WEIGHT: -	RESTRICTED TO: -
MATERIAL: -			CUSTOMER DRAWING		SCALE: 4:1		SHEET: 8 OF 8		REV: D3		

RIGHT ANGLE HEADER ASSEMBLY  
 NO GUIDES  
 MULTI-BEAM XLE

SIZE: A100779 C=6450849

TE Connectivity



## X-ON Electronics

Largest Supplier of Electrical and Electronic Components

*Click to view similar products for [Power to the Board](#) category:*

*Click to view products by [TE Connectivity](#) manufacturer:*

Other Similar products are found below :

[10131318-08512GRLF](#) [6450171-4](#) [6450552-7](#) [6600323-8](#) [6643429-1](#) [6646040-2](#) [6651939-1](#) [6766604-1](#) [120959-1](#) [1393557-2](#) [1393532-2](#)  
[1393532-3](#) [1393532-4](#) [1393557-1](#) [1600812-5](#) [1-6450861-2](#) [1645595-1](#) [1743490-1](#) [1744132-7](#) [1761122-1](#) [1766169-1](#) [1766250-1](#) [18362](#)  
[1892109-1](#) [1-967627-6](#) [2226808-1](#) [2-6450860-5](#) [2-6450860-6](#) [2-6450870-0](#) [93003-0502](#) [953552-1](#) [1-6450161-4](#) [1-6450850-6](#) [1645526-2](#) [1-](#)  
[6600130-0](#) [1743419-1](#) [1766150-1](#) [2005243-2](#) [211110-1](#) [2-6600130-2](#) [TE34-12-16P-F0](#) [5-6450830-6](#) [5646956-4](#) [36662-0005](#) [40585-3000](#) [4-](#)  
[6450830-9](#) [4-6600333-3](#) [51142-0214](#) [10134048-911LF](#) [10123159-301LF](#)